

# PHYSICAL SCIENCES P.1

# SCOPE

# GRADE 12

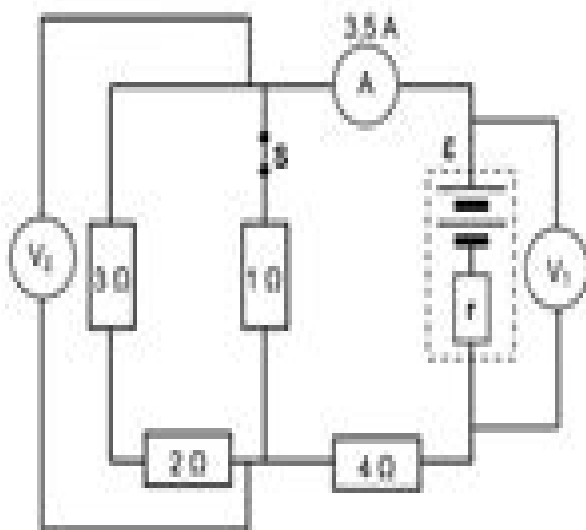
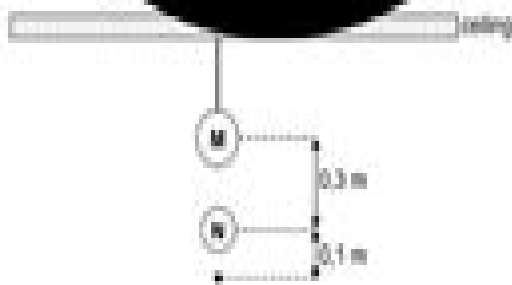
2024

## FINAL EXAM



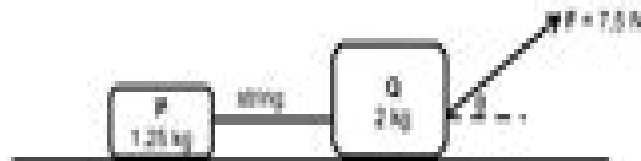
basic education

Department:  
Basic Education  
REPUBLIC OF SOUTH AFRICA



mass  $1.25 \text{ kg}$  is connected to another crate,  $Q$ , of mass  $2 \text{ kg}$  by a light string. The two crates are placed on a rough horizontal surface. A force  $F$  of magnitude  $7.5 \text{ N}$ , acting at angle  $\theta$  to the horizontal, is applied on shown in the diagram below.

accelerate at  $0.1 \text{ m s}^{-2}$  to the right.



# Scope Physical Science Paper 1

**Albert A Gayle**



**Scope Physical Science Paper 1:**

This Engaging World of E-book Books: A Detailed Guide Unveiling the Benefits of Kindle Books: A Realm of Convenience and Versatility E-book books, with their inherent mobility and simplicity of availability, have freed readers from the constraints of physical books. Done are the days of carrying bulky novels or meticulously searching for specific titles in bookstores. Kindle devices, stylish and lightweight, effortlessly store an wide library of books, allowing readers to indulge in their preferred reads whenever, everywhere. Whether traveling on a bustling train, lounging on a sun-kissed beach, or simply cozying up in bed, E-book books provide an unparalleled level of convenience. A Literary Universe Unfolded: Discovering the Vast Array of Kindle Scope Physical Science Paper 1 Scope Physical Science Paper 1 The E-book Shop, a virtual treasure trove of bookish gems, boasts an wide collection of books spanning diverse genres, catering to every readers preference and choice. From gripping fiction and mind-stimulating non-fiction to timeless classics and modern bestsellers, the Kindle Shop offers an unparalleled variety of titles to explore. Whether looking for escape through engrossing tales of imagination and exploration, diving into the depths of past narratives, or expanding ones knowledge with insightful works of science and philosophical, the E-book Shop provides a gateway to a literary universe brimming with limitless possibilities. A Transformative Force in the Literary Scene: The Lasting Influence of Kindle Books Scope Physical Science Paper 1 The advent of Kindle books has certainly reshaped the literary landscape, introducing a model shift in the way books are published, distributed, and consumed. Traditional publishing houses have embraced the online revolution, adapting their strategies to accommodate the growing need for e-books. This has led to a surge in the availability of E-book titles, ensuring that readers have access to a vast array of literary works at their fingertips. Moreover, E-book books have equalized access to books, breaking down geographical barriers and offering readers worldwide with similar opportunities to engage with the written word. Irrespective of their place or socioeconomic background, individuals can now immerse themselves in the captivating world of literature, fostering a global community of readers. Conclusion: Embracing the Kindle Experience Scope Physical Science Paper 1 E-book books Scope Physical Science Paper 1, with their inherent ease, versatility, and wide array of titles, have certainly transformed the way we encounter literature. They offer readers the freedom to explore the limitless realm of written expression, whenever, everywhere. As we continue to navigate the ever-evolving digital landscape, Kindle books stand as testament to the enduring power of storytelling, ensuring that the joy of reading remains accessible to all.

<https://crm.avenza.com/book/virtual-library/Documents/nov%202014%20calc%20paper%20gcse.pdf>

## Table of Contents Scope Physical Science Paper 1

1. Understanding the eBook Scope Physical Science Paper 1
  - The Rise of Digital Reading Scope Physical Science Paper 1
  - Advantages of eBooks Over Traditional Books
2. Identifying Scope Physical Science Paper 1
  - Exploring Different Genres
  - Considering Fiction vs. Non-Fiction
  - Determining Your Reading Goals
3. Choosing the Right eBook Platform
  - Popular eBook Platforms
  - Features to Look for in an Scope Physical Science Paper 1
  - User-Friendly Interface
4. Exploring eBook Recommendations from Scope Physical Science Paper 1
  - Personalized Recommendations
  - Scope Physical Science Paper 1 User Reviews and Ratings
  - Scope Physical Science Paper 1 and Bestseller Lists
5. Accessing Scope Physical Science Paper 1 Free and Paid eBooks
  - Scope Physical Science Paper 1 Public Domain eBooks
  - Scope Physical Science Paper 1 eBook Subscription Services
  - Scope Physical Science Paper 1 Budget-Friendly Options
6. Navigating Scope Physical Science Paper 1 eBook Formats
  - ePub, PDF, MOBI, and More
  - Scope Physical Science Paper 1 Compatibility with Devices
  - Scope Physical Science Paper 1 Enhanced eBook Features
7. Enhancing Your Reading Experience
  - Adjustable Fonts and Text Sizes of Scope Physical Science Paper 1
  - Highlighting and Note-Taking Scope Physical Science Paper 1
  - Interactive Elements Scope Physical Science Paper 1
8. Staying Engaged with Scope Physical Science Paper 1

- Joining Online Reading Communities
  - Participating in Virtual Book Clubs
  - Following Authors and Publishers Scope Physical Science Paper 1
9. Balancing eBooks and Physical Books Scope Physical Science Paper 1
- Benefits of a Digital Library
  - Creating a Diverse Reading Collection Scope Physical Science Paper 1
10. Overcoming Reading Challenges
- Dealing with Digital Eye Strain
  - Minimizing Distractions
  - Managing Screen Time
11. Cultivating a Reading Routine Scope Physical Science Paper 1
- Setting Reading Goals Scope Physical Science Paper 1
  - Carving Out Dedicated Reading Time
12. Sourcing Reliable Information of Scope Physical Science Paper 1
- Fact-Checking eBook Content of Scope Physical Science Paper 1
  - Distinguishing Credible Sources
13. Promoting Lifelong Learning
- Utilizing eBooks for Skill Development
  - Exploring Educational eBooks
14. Embracing eBook Trends
- Integration of Multimedia Elements
  - Interactive and Gamified eBooks

### **Scope Physical Science Paper 1 Introduction**

In today's digital age, the availability of Scope Physical Science Paper 1 books and manuals for download has revolutionized the way we access information. Gone are the days of physically flipping through pages and carrying heavy textbooks or manuals. With just a few clicks, we can now access a wealth of knowledge from the comfort of our own homes or on the go. This article will explore the advantages of Scope Physical Science Paper 1 books and manuals for download, along with some popular platforms that offer these resources. One of the significant advantages of Scope Physical Science Paper 1 books and manuals for download is the cost-saving aspect. Traditional books and manuals can be costly, especially if you need to

purchase several of them for educational or professional purposes. By accessing Scope Physical Science Paper 1 versions, you eliminate the need to spend money on physical copies. This not only saves you money but also reduces the environmental impact associated with book production and transportation. Furthermore, Scope Physical Science Paper 1 books and manuals for download are incredibly convenient. With just a computer or smartphone and an internet connection, you can access a vast library of resources on any subject imaginable. Whether you're a student looking for textbooks, a professional seeking industry-specific manuals, or someone interested in self-improvement, these digital resources provide an efficient and accessible means of acquiring knowledge. Moreover, PDF books and manuals offer a range of benefits compared to other digital formats. PDF files are designed to retain their formatting regardless of the device used to open them. This ensures that the content appears exactly as intended by the author, with no loss of formatting or missing graphics. Additionally, PDF files can be easily annotated, bookmarked, and searched for specific terms, making them highly practical for studying or referencing. When it comes to accessing Scope Physical Science Paper 1 books and manuals, several platforms offer an extensive collection of resources. One such platform is Project Gutenberg, a nonprofit organization that provides over 60,000 free eBooks. These books are primarily in the public domain, meaning they can be freely distributed and downloaded. Project Gutenberg offers a wide range of classic literature, making it an excellent resource for literature enthusiasts. Another popular platform for Scope Physical Science Paper 1 books and manuals is Open Library. Open Library is an initiative of the Internet Archive, a non-profit organization dedicated to digitizing cultural artifacts and making them accessible to the public. Open Library hosts millions of books, including both public domain works and contemporary titles. It also allows users to borrow digital copies of certain books for a limited period, similar to a library lending system. Additionally, many universities and educational institutions have their own digital libraries that provide free access to PDF books and manuals. These libraries often offer academic texts, research papers, and technical manuals, making them invaluable resources for students and researchers. Some notable examples include MIT OpenCourseWare, which offers free access to course materials from the Massachusetts Institute of Technology, and the Digital Public Library of America, which provides a vast collection of digitized books and historical documents. In conclusion, Scope Physical Science Paper 1 books and manuals for download have transformed the way we access information. They provide a cost-effective and convenient means of acquiring knowledge, offering the ability to access a vast library of resources at our fingertips. With platforms like Project Gutenberg, Open Library, and various digital libraries offered by educational institutions, we have access to an ever-expanding collection of books and manuals. Whether for educational, professional, or personal purposes, these digital resources serve as valuable tools for continuous learning and self-improvement. So why not take advantage of the vast world of Scope Physical Science Paper 1 books and manuals for download and embark on your journey of knowledge?

## FAQs About Scope Physical Science Paper 1 Books

1. Where can I buy Scope Physical Science Paper 1 books? Bookstores: Physical bookstores like Barnes & Noble, Waterstones, and independent local stores. Online Retailers: Amazon, Book Depository, and various online bookstores offer a wide range of books in physical and digital formats.
2. What are the different book formats available? Hardcover: Sturdy and durable, usually more expensive. Paperback: Cheaper, lighter, and more portable than hardcovers. E-books: Digital books available for e-readers like Kindle or software like Apple Books, Kindle, and Google Play Books.
3. How do I choose a Scope Physical Science Paper 1 book to read? Genres: Consider the genre you enjoy (fiction, non-fiction, mystery, sci-fi, etc.). Recommendations: Ask friends, join book clubs, or explore online reviews and recommendations. Author: If you like a particular author, you might enjoy more of their work.
4. How do I take care of Scope Physical Science Paper 1 books? Storage: Keep them away from direct sunlight and in a dry environment. Handling: Avoid folding pages, use bookmarks, and handle them with clean hands. Cleaning: Gently dust the covers and pages occasionally.
5. Can I borrow books without buying them? Public Libraries: Local libraries offer a wide range of books for borrowing. Book Swaps: Community book exchanges or online platforms where people exchange books.
6. How can I track my reading progress or manage my book collection? Book Tracking Apps: Goodreads, LibraryThing, and Book Catalogue are popular apps for tracking your reading progress and managing book collections. Spreadsheets: You can create your own spreadsheet to track books read, ratings, and other details.
7. What are Scope Physical Science Paper 1 audiobooks, and where can I find them? Audiobooks: Audio recordings of books, perfect for listening while commuting or multitasking. Platforms: Audible, LibriVox, and Google Play Books offer a wide selection of audiobooks.
8. How do I support authors or the book industry? Buy Books: Purchase books from authors or independent bookstores. Reviews: Leave reviews on platforms like Goodreads or Amazon. Promotion: Share your favorite books on social media or recommend them to friends.
9. Are there book clubs or reading communities I can join? Local Clubs: Check for local book clubs in libraries or community centers. Online Communities: Platforms like Goodreads have virtual book clubs and discussion groups.
10. Can I read Scope Physical Science Paper 1 books for free? Public Domain Books: Many classic books are available for free as they're in the public domain. Free E-books: Some websites offer free e-books legally, like Project Gutenberg or Open Library.



**Find Scope Physical Science Paper 1 :**

~~nov 2014 calc paper gese~~

**nov 2013 9708 42**

~~note taking guide eposide 1103 key~~

~~northstar study guide gsm~~

**november 2013 agric grade1exam**

~~november 2014 2h method maths mark scheme~~

~~november 2012 ett memorandum~~

**november 2013 grade 9 natural science**

**note taking guide episode 101 answers**

~~november 2013 labour relation question paper n5~~

**notary public manual cuyahoga**

noun clause examples

notes upon some of shakespeare s plays

north west university aps

~~november 2013 memo economics grade 12~~

**Scope Physical Science Paper 1 :**

**poetry unit test review quizizz** - Dec 05 2022

web similes and metaphors 3 8k plays poetry unit test review quiz for 6th grade students find other quizzes for english and more on quizizz for free

poetry unit test answers key orientation sutd edu sg - May 30 2022

web poetry unit test answers key poetry unit test answers key turnitin technology to improve student writing block 3 unit 2 reading concept and types classzone thing 3 words wheel of fortune answers teaching materials using literature in the efl esl psychometric test with answers puneet ghanshani what is legal offense code dis

**poetry unit post assessment teacher answer key mcgrath** - Aug 13 2023

web poetry unit post assessment teacher answer key poetry unit post assessment answer key 1 poetry is a distinct literary genre what makes it different from other written forms of expression such as science writing novels short stories students might respond with the following note responses might not be limited to these

[elements of poetry answer key minersville area school district](#) - May 10 2023

web 4 14 2020 elements of poetry answer key helpteaching com helpteaching com tests printkey htm test 233012 1 3

elements of poetry answer key

**8th grade poetry unit test quizizz** - Nov 04 2022

web 30 seconds 1 pt using the following two lines from the poem a poison tree what do they convey to the reader and i sunned it with smiles and with soft deceitful wiles the speaker s way of pretending to be friendly in order to bring their enemy closer how the sun makes the speaker smile

[get the free poetry unit test answer key form pdffiller](#) - Oct 15 2023

web the purpose of a poetry unit test answer is to demonstrate understanding and knowledge of the concepts techniques and elements of poetry that were covered in the unit it allows the teacher to assess the student s comprehension analysis and interpretation skills in relation to various poems

[poetry unit test with answer key](#) - Feb 24 2022

web poetry unit test with answer key if you ally need such a referred poetry unit test with answer key books that will meet the expense of you worth acquire the extremely best seller from us currently from several preferred authors if you desire to entertaining books lots of novels tale jokes and more fictions collections are also launched

**poetry unit test answer key full pdf cyberlab sutd edu sg** - Sep 02 2022

web poetry unit test answer key more level 4 teacher s resource pack with testbuilder cd rom audio cd jan 10 2022 more is a four level course from a highly respected author team that s bursting with features for lower secondary students the teacher s resource pack contains unit tests review tests and term tests as

[poetry unit test answers key cyberlab sutd edu sg](#) - Mar 28 2022

web poetry unit test answers key 10th grade math mcqs dec 12 2020 10th grade math mcqs multiple choice questions and answers quiz tests with answer keys covers and job interview prep with answers key practice exam questions and answers about computer science composed from operating systems textbooks on chapters

[poetry exam with answers teaching resources teachers pay teachers](#) - Feb 07 2023

web beowulf and anglo saxon poetry test editable with answer key this test covers a little bit of basic anglo saxon history the big three anglo saxon poems the seafarer the wanderer and the wife s lament and of

**poetry unit test answer key form fill out and sign printable** - Aug 01 2022

web keep to the step by step guidelines listed below to esign your poetry unit test answers key the west wind choose the paper you would like to sign and then click upload choose my signature decide on what kind of electronic signature to generate there are three variants an uploaded drawn or

[poetry unit test with answer key harvard university](#) - Jan 06 2023

web it is your enormously own time to pretend reviewing habit in the midst of guides you could enjoy now is poetry unit test with answer key below the differentiated classroom carol ann tomlinson 2014 05 25 although much has changed in schools in recent years the power of differentiated instruction remains the same and the need for

[educ 625 poetry unit test answer key docx course hero](#) - Sep 14 2023

web view test prep educ 625 poetry unit test answer key docx from educ 625 at liberty university poetry unit test name date directions read the following poem and answer the ai homework help

[poetry test name poetry unit exam part 1 course hero](#) - Jul 12 2023

web the measured arrangement of sounds beats in a poem including the poet's placement of emphasis and the number of syllables per line meter h poetry that does not rhyme or have a measurable meter free verse i examples of this include hissed crackle and splash onomatopoeia j

[poetry unit test with answer key full pdf esource svb](#) - Jun 30 2022

web answer key for poetry unit test booklection com literature questions and answers test your understanding with practice problems and step by step solutions browse through all study

**poetry unit test and answer key by bridget kennedy tpt** - Apr 09 2023

web poetry unit test and answer key rated 4.9 out of 5 based on 6 reviews 4.9

**english 1201 poetry pre test answer key matson's classes** - Jun 11 2023

web english 1201 poetry pre test answer key use your notes to help you answer each question below work on your own 1 name 3 characteristics of narrative poetry tells a story active and dramatic dialogue foreshadowing and flashback may be used ballad and epic are examples 2 name 3 characteristics of a lyrical poetry

**answer key poetry unit test 2023 support iteadstudio** - Apr 28 2022

web list of file answer key poetry unit test page title 1 dreaming in cuban 2 how to teach literature introductory course 3 poetry cooperative learning unit 4 chicago poems 5 a writing kind of day 6 hate that cat 7 love that dog 8 pascal english workbook 2 9 resources in education 10 enjoying literature 11 how to teach world literature

[poetry unit test self grading 20 questions built in answer key tpt](#) - Mar 08 2023

web this unit test is designed to set your mind at ease as you navigate the world of poetry this pre-made editable test is perfect for both in-person and virtual classrooms alike the test is 20 questions broken up into 5 sections and assesses student knowledge of poetry the different types of poem

**poetry exam quiz test your poetry knowledge proprofs quiz** - Oct 03 2022

web aug 17 2023 it involves the use of descriptive words and phrases that evoke sensory experiences such as sight sound

taste touch and smell by using imagery poets can make their writing more vivid and engaging allowing readers to visualize the scenes and emotions being portrayed rate this question 11 0

[june examination scope for tourism grade 12 fda download](#) - Jun 04 2022

web you could buy lead june examination scope for tourism grade 12 or acquire it as soon as feasible you could speedily download this june examination scope for tourism grade 12 after getting deal so next you require the book swiftly you can straight get it its fittingly certainly easy and consequently fats isnt it you have to favor to in

**june examination scope for tourism grade 12 pdf download** - Jan 31 2022

web june examination scope for tourism grade 12 pdf introduction june examination scope for tourism grade 12 pdf download only business cycles and forecasting lloyd m valentine 1991 measuring student knowledge and skills andreas schleicher 1999 measuring student knowledge and skills a new framework for assessment business

**june examination scope for tourism grade 12 uniport edu** - Apr 02 2022

web jul 11 2023 not discover the proclamation june examination scope for tourism grade 12 that you are looking for it will certainly squander the time however below next you visit this web page it will be appropriately unconditionally easy to get as skillfully as download lead june examination scope for tourism grade 12

[june examination scope for tourism grade 12 pdf uniport edu](#) - May 03 2022

web sep 16 2023 june examination scope for tourism grade 12 2 7 downloaded from uniport edu ng on september 16 2023 by guest tomorrow s world demographics by 2040 1 4 billion people will be added mostly in africa and south asia economics increased government debt and concentrated economic power will escalate problems for the poor

**grade 12 tourism june examination and** - Oct 08 2022

web jun 13 2023 good luck grade 12 tourism june examination memorandum is available answer sheet is also included right after question paper in the same document out of 200 marks advised duration is 180 minutes 3 hours there are multiple choice terminology true false

**scope of june 2022 exams elimuza com** - Aug 18 2023

web jun 2 2022 the scope of the assessments covers the papers in the following subjects no subject this information should be utilised to suitably equip the 2022 cohort to sit for the imminent june assessment sessions yours in education mr jonathan williams director examinations management accounting

**june 2021 examination timetable grade 10 12 tourism** - Sep 07 2022

web 8th june 2021 9 00 am 12 00 pm june 2021 examination timetable grade 10 12 life orientation june 2021 examination timetable grade 7 9 life orientation 1 5hr

[tourism revision gr 12 t2 2023 learner resource wced](#) - Dec 10 2022

web tourism revision grade 12 tourism term 2 2023 learner resource tourism revision grade 12 tourism term 2 2023 learner resource 2020 nsc examination reports internal moderators reports 2021 gr 12 examination guidelines assessment diagnostic tests general education certificate gec

*tourism grade 12 may june mid year exams 2021 previous* - Jul 05 2022

web feb 15 2022 why you should pass your tourism grade 12 june exams this year by now every grade 12 tourism student should know that the trial june exams are essential when you apply to study at a university of a college june exams are also very important towards your final grade 12 marks

june examination scope for tourism grade 12 2023 - Apr 14 2023

web june examination scope for tourism grade 12 bulletin of the atomic scientists 1970 06 the bulletin of the atomic scientists is the premier public resource on scientific and technological developments that impact global security founded by manhattan project scientists the bulletin s iconic doomsday clock stimulates solutions for a safer world

*tourism grade 12 examination guidelines 2021* - Jun 16 2023

web jun 25 2021 examination guidelines grade 12 2021 1 introduction the curriculum and assessment policy statement caps for engineering graphics and design outlines the nature and purpose of the subject engineering graphics and design this guides the philosophy underlying the teaching and assessment of the subject in grade 12

tourism notes grade 12 tourism grade 12 study guide - Nov 09 2022

web dec 2 2021 tour planning itinerary is a detailed plan of the tourist s journey tourist profile is an indication of the tourists wants and needs element of a client profile name gender age budget nationality location occupation

grade 12 tourism june exam and memo 2023 summaries sa - Feb 12 2023

web grade 12 tourism exam and memo for the june exams this paper consist of 5 sections taking up 24 pages section a short questions section b map work and tour planing foreign exchange section c tourism attractions culture and heritage tourism marketing section d tourism sectors sustainable and responsible tourism section

2022 tourism skills assessment task grade 12 questions - Mar 13 2023

web jun 2 2022 published in 2022 grade 12 assignments more in this category mathematics investigation grade 12 2022 assignments scope of june 2022 exams back to top grade 12 task 2 exemplar tourism skills assessment taskscenario world heritage site tour itinerary and social media skills teacher

*june examination scope for tourism grade 12 download only* - Mar 01 2022

web june examination scope for tourism grade 12 5 5 tourism introducing the following key concepts the development of tourism tourism supply and demand sectors involved transport accommodation government the future of tourism including forecasting and future issues affecting the global nature of tourism in a user friendly

**2023 24 annual teaching plans tourism grade 12** - Jan 11 2023

web 2023 24 annual teaching plans tourism grade 12 1 2023 24 annual teaching plans tourism grade 12 term 1 term 1 week 1 week 2 week 3 week 4 week 5 week 6 week 7 week 8 week 9 week 10 11 date caps topic introduction domestic regional and international tourism domestic regional and

tourism grade 12 examination guidelines 2023 pdf - Jul 17 2023

web may 15 2023 to check the tourism grade 12 examination guidelines for 2023 you can visit the website of the department of basic education the website has a section on examination guidelines which includes the tourism grade 12 examination guidelines for 2023 pdf download

*grade 12 tourism june exam memo 2022 teacha* - May 15 2023

web this product contains downloadable grade 12 tourism exam and memo for june section a short questions section b map work and tour planning foreign exchange section c tourism attractions marketing section b domestic regional and international tourism

*june examination scope for tourism grade 12 pdf* - Aug 06 2022

web 4 june examination scope for tourism grade 12 2020 06 15 of science the economy should be business is a discipline that has declared its relative independence from economics over time business is a research field that encompasses a wide range of areas ranging from organizational behavior of individuals to the firm s production

*june examination scope for tourism grade 12* - Sep 19 2023

web june examination scope for tourism grade 12 a new spin on tourism sep 14 2021 spot on tourism feb 05 2021 course profile feb 17 2022 x kit fet grade 12 geography jan 19 2022 shuters tourism dec 18 2021 hospitality and tourism education standards aug 14 2021 tourist safety and security jul 01 2020

rich dad s guide to investing what the rich invest in that the - Mar 10 2023

web rich dad s guide to investing what the rich invest in that the poor and middle class do not what the rich invest in that the poor do not kiyosaki robert t lechter sharon l amazon com tr kitap

*pdf epub rich dad s guide to investing what the rich invest* - Sep 04 2022

web feb 16 2020 in this follow up to the bestselling rich dad poor dad he reveals the secret of how the wealthiest people become wealthier by presenting some simple investing secrets and explaining how anyone can enjoy cash benefits merely by knowing where and how best to invest their money

**rich dad s guide to investing what the rich invest in that the** - Feb 09 2023

web rich dad s guide to investing one of the three core titles in the rich dad series covers the basic rules of investing how to reduce your investment risk how to convert your earned income into passive income plus rich dad s 10 investor controls

**rich dad s guide to investing what the rich invest in that the** - Aug 03 2022

web rich dad s guide to investing is a roadmap for those who want to become successful investors and invest in the types of assets that the rich do whether your goal is to become financially secure comfortable or rich this book is your guide to understanding the asset classes and investment strategy

**rich dad s guide to investing what the rich invest in that the** - Apr 11 2023

web rich dad s guide to investing what the rich invest in that the poor and the middle class do not kindle edition by robert t kiyosaki author format kindle edition 4 7 5 777 ratings part of rich dad poor dad 14 books see all formats and editions

*rich dad s guide to investing summary invest mindset* - Jan 28 2022

web jul 4 2020 rich dad s guide to investing 1 increase your expenses and lower your income what you must be wondering how on earth can someone advise this we re always taught to reduce the expenses and increase our income but this is the opposite that s true however let me explain you the meaning of this statement in detail

*rich dad s guide to investing pdf free pdf books* - Aug 15 2023

web dec 17 2019 rich dad s guide to investing pdf rich dad s guide to investing one of the three core titles in the rich dad series covers the basic rules of investing how to reduce your investment risk how to convert your earned income into passive income plus rich dad s 10 investor controls

*rich dad s guide to investing what the rich invest in that the* - Dec 07 2022

web apr 15 2014 rich dad s guide to investing one of the three core titles in the rich dad series covers the basic rules of investing how to reduce your investment risk how to convert your earned income into passive income plus rich dad s 10 investor controls

*rich dad s guide to investing what the rich invest in that the* - Jun 01 2022

web jan 15 2001 rich dad s guide to investing what the rich invest in that the poor and middle class do not rich dad s guide to investing is a guide to understanding the real earning power of money by learning some of the investing secrets of the wealthy

*rich dad s guide to investing what the rich invest in that the* - Apr 30 2022

web jan 15 2001 in this follow up to the bestselling rich dad poor dad he reveals the secret of how the wealthiest people become wealthier by presenting some simple investing secrets and explaining how anyone can enjoy cash benefits merely by knowing where and how best to invest their money

**rich dad s guide to investing what the rich invest in that the** - Jul 14 2023

web apr 3 2012 rich dad s guide to investing one of the three core titles in the rich dad series covers the basic rules of investing how to reduce your investment risk how to convert your earned income into passive income plus rich dad s 10

investor controls

*the rich dad s guide to investing what the rich invest in that* - Mar 30 2022

web buy the rich dad s guide to investing what the rich invest in that the poor do not by kiyosaki robert t online on amazon ae at best prices fast and free shipping free returns cash on delivery available on eligible purchase

*rich dad s guide to investing what the rich invest in that the* - Jan 08 2023

web rich dad s guide to investing one of the three core titles in the rich dad series covers the basic rules of investing how to reduce your investment risk how to convert your earned income into passive income plus rich dad s 10 investor controls

**rich dad s guide to investing what the rich invest in that the** - Jun 13 2023

web rich dad s guide to investing is a long term guide for anyone who wants to become a rich investor and invest in what the rich invest in as the title states it is a guide and offers no guarantees only guidance

**the 7 basic rules of investing personal finance rich dad** - Oct 05 2022

web oct 10 2017 in the book rich dad s guide to investing what the rich invest in that the poor and the middle class do not it talks a lot about adjusting your mindset from that of the poor and the middle class to that of the rich

[airbnb to lead real estate market crash robert kiyosaki](#) - Dec 27 2021

web 2 days ago airbnb inc is in the spotlight on sept 5 new york city implemented what airbnb calls a de facto ban on the short term rental platform the number of short term listings on airbnb in new york

**rich dad s guide to investing what the rich invest in that the** - May 12 2023

web rich dad s guide to investing what the rich invest in that the poor and middle class do not kiyosaki robert t amazon com tr kitap

**what the rich invest in archive org** - Nov 06 2022

web to help explain the often confusing subject of investing the 90 10 rule of money my rich dad appreciated the italian economist vilfredo pareto s discovery of the 80 20 rule also known as the principle of least effort yet when it came to money rich dad was more aware of the 90 10 rule which says that 10 percent of the people make 90 percent

*buy rich dad s guide to investing what the rich invest in that* - Jul 02 2022

web investing means different things to different people and there is a huge difference between passive investing and becoming an active engaged investor rich dad s guide to investing one of the three core titles in the rich dad series covers the basic rules of investing how to reduce your investment risk how to convert your earned

**rich dad s guide to investing robert t kiyosaki google books** - Feb 26 2022

web jan 15 2001 rich dad s guide to investing one of the three core titles in the rich dad series covers the basic rules of investing how to reduce your investment risk how to convert your



