

SAMSUNG

DVD RECEIVER AMP

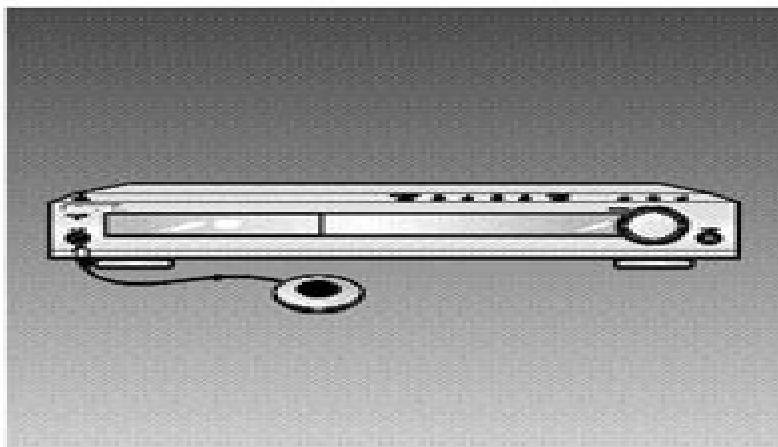
HT-DB750

HT-DB1750

HT-DB1850

SERVICE Manual

DVD RECEIVER AMP SYSTEM



Model No. D

You can search for the updated part code through CSRSLP web site.
URL: <http://csrslp.samsung.co.kr>

CONTENTS

1. Alignment and Adjustments
2. Exploded Views and Parts List
3. Electrical Parts List
4. Block Diagrams
5. PCB Diagrams
6. Wiring Diagram
7. Schematic Diagrams
8. IC block Diagrams
9. Troubleshooting

- Confidential -

Samsung Ht Db750 Service Manual Repair Guide

Penton Staff



Samsung Ht Db750 Service Manual Repair Guide:

Volvo Service Manual Repair Instructions, 1975 **Volvo Service Manual Repair Instructions**, 1975 KTM Enduro & Motocross Phil Mather, 2007 This manual is a complete guide to servicing and routine maintenance Step by step instructions clearly linked to hundreds of photos and illustrations guide you through each job Suzuki DL650 V-Strom 2004-2011 Editors of Haynes Manuals, 2015-08-15 Suzuki DL650 V Strom 2004 2011 Service and Repair Manual 1996 2013 M273 Suzuki DL650 V Strom manual Includes Color Wiring Diagrams This service manual provides specific detailed instructions for performing everything from basic maintenance and troubleshooting to a complete overhaul of the Suzuki DL650 V Strom Series motorcycle Do it yourselfers will find this service and repair manual more comprehensive than the factory manual making it an indispensable part of your tool box TROUBLESHOOTING LUBRICATION MAINTENANCE AND TUNE UP ENGINE TOP END ENGINE LOWER END CLUTCH AND EXTERNAL SHIFT MECHANISM TRANSMISSION AND INTERNAL SHIFT MECHANISM FUEL EMISSION CONTROL AND EXHAUST SYSTEMS ELECTRICAL SYSTEM COOLING SYSTEM WHEELS TIRES AND DRIVE CHAIN FRONT SUSPENSION AND STEERING REAR SUSPENSION BRAKES BODY AND FRAME COLOR WIRING DIAGRAMS **Chilton's Motorcycle and ATV Repair Manual** Chilton Automotive Editorial Staff, 1986-04-01 Clymer Vintage British Street Bikes: BSA, Norton, Triumph Repair Manual Penton Staff, 1993-04-01 With the help of the Clymer Vintage British Street Bikes BSA Norton Triumph Repair Manual in your toolbox you will be able to maintain service and repair your motorcycle to extend its life for years to come Clymer manuals are very well known for their thorough and comprehensive nature This manual is loaded with step by step procedures along with detailed photography exploded views charts and diagrams to enhance the steps associated with a service or repair task This Clymer manual is organized by subsystem with procedures grouped together for specific topics such as front suspension brake system engine and transmission It includes color wiring diagrams The language used in this Clymer repair manual is targeted toward the novice mechanic but is also very valuable for the experienced mechanic The service manual by Clymer is an authoritative piece of DIY literature and should provide you the confidence you need to get the job done and save money too The specific models covered by this manual are BSA 500cc Unit Twins 1963 1972 BSA 650cc Unit Twins 1963 1972 Norton 750cc Commando 1969 1975 Norton 850cc Commando 1969 1975 Triumph 500cc Twins 1963 1979 Triumph 750cc Twins 1963 1979 **Clymer Suzuki DR250-350, 1990-1994** Penton Staff, 1994-03-01 With the help of the Clymer Suzuki DR250 350 1990 1994 Repair Manual in your toolbox you will be able to maintain service and repair your motorcycle to extend its life for years to come Clymer manuals are very well known for their thorough and comprehensive nature This manual is loaded with step by step procedures along with detailed photography exploded views charts and diagrams to enhance the steps associated with a service or repair task This Clymer manual is organized by subsystem with procedures grouped together for specific topics such as front suspension brake system engine and transmission It includes color wiring diagrams

The language used in this Clymer repair manual is targeted toward the novice mechanic but is also very valuable for the experienced mechanic. The service manual by Clymer is an authoritative piece of DIY literature and should provide you the confidence you need to get the job done and save money too.

This is likewise one of the factors by obtaining the soft documents of this **Samsung Ht Db750 Service Manual Repair Guide** by online. You might not require more epoch to spend to go to the books inauguration as skillfully as search for them. In some cases, you likewise do not discover the statement Samsung Ht Db750 Service Manual Repair Guide that you are looking for. It will certainly squander the time.

However below, like you visit this web page, it will be therefore extremely easy to get as with ease as download lead Samsung Ht Db750 Service Manual Repair Guide

It will not tolerate many become old as we tell before. You can reach it while measure something else at house and even in your workplace. fittingly easy! So, are you question? Just exercise just what we find the money for below as capably as review **Samsung Ht Db750 Service Manual Repair Guide** what you next to read!

<https://crm.avenza.com/results/uploaded-files/HomePages/Rca%20Digital%20Converter%20Box%20Manual.pdf>

Table of Contents Samsung Ht Db750 Service Manual Repair Guide

1. Understanding the eBook Samsung Ht Db750 Service Manual Repair Guide
 - The Rise of Digital Reading Samsung Ht Db750 Service Manual Repair Guide
 - Advantages of eBooks Over Traditional Books
2. Identifying Samsung Ht Db750 Service Manual Repair Guide
 - Exploring Different Genres
 - Considering Fiction vs. Non-Fiction
 - Determining Your Reading Goals
3. Choosing the Right eBook Platform
 - Popular eBook Platforms
 - Features to Look for in an Samsung Ht Db750 Service Manual Repair Guide
 - User-Friendly Interface
4. Exploring eBook Recommendations from Samsung Ht Db750 Service Manual Repair Guide

- Personalized Recommendations
 - Samsung Ht Db750 Service Manual Repair Guide User Reviews and Ratings
 - Samsung Ht Db750 Service Manual Repair Guide and Bestseller Lists
5. Accessing Samsung Ht Db750 Service Manual Repair Guide Free and Paid eBooks
 - Samsung Ht Db750 Service Manual Repair Guide Public Domain eBooks
 - Samsung Ht Db750 Service Manual Repair Guide eBook Subscription Services
 - Samsung Ht Db750 Service Manual Repair Guide Budget-Friendly Options
 6. Navigating Samsung Ht Db750 Service Manual Repair Guide eBook Formats
 - ePub, PDF, MOBI, and More
 - Samsung Ht Db750 Service Manual Repair Guide Compatibility with Devices
 - Samsung Ht Db750 Service Manual Repair Guide Enhanced eBook Features
 7. Enhancing Your Reading Experience
 - Adjustable Fonts and Text Sizes of Samsung Ht Db750 Service Manual Repair Guide
 - Highlighting and Note-Taking Samsung Ht Db750 Service Manual Repair Guide
 - Interactive Elements Samsung Ht Db750 Service Manual Repair Guide
 8. Staying Engaged with Samsung Ht Db750 Service Manual Repair Guide
 - Joining Online Reading Communities
 - Participating in Virtual Book Clubs
 - Following Authors and Publishers Samsung Ht Db750 Service Manual Repair Guide
 9. Balancing eBooks and Physical Books Samsung Ht Db750 Service Manual Repair Guide
 - Benefits of a Digital Library
 - Creating a Diverse Reading Collection Samsung Ht Db750 Service Manual Repair Guide
 10. Overcoming Reading Challenges
 - Dealing with Digital Eye Strain
 - Minimizing Distractions
 - Managing Screen Time
 11. Cultivating a Reading Routine Samsung Ht Db750 Service Manual Repair Guide
 - Setting Reading Goals Samsung Ht Db750 Service Manual Repair Guide
 - Carving Out Dedicated Reading Time
 12. Sourcing Reliable Information of Samsung Ht Db750 Service Manual Repair Guide

- Fact-Checking eBook Content of Samsung Ht Db750 Service Manual Repair Guide
 - Distinguishing Credible Sources
13. Promoting Lifelong Learning
- Utilizing eBooks for Skill Development
 - Exploring Educational eBooks
14. Embracing eBook Trends
- Integration of Multimedia Elements
 - Interactive and Gamified eBooks

Samsung Ht Db750 Service Manual Repair Guide Introduction

In today's digital age, the availability of Samsung Ht Db750 Service Manual Repair Guide books and manuals for download has revolutionized the way we access information. Gone are the days of physically flipping through pages and carrying heavy textbooks or manuals. With just a few clicks, we can now access a wealth of knowledge from the comfort of our own homes or on the go. This article will explore the advantages of Samsung Ht Db750 Service Manual Repair Guide books and manuals for download, along with some popular platforms that offer these resources. One of the significant advantages of Samsung Ht Db750 Service Manual Repair Guide books and manuals for download is the cost-saving aspect. Traditional books and manuals can be costly, especially if you need to purchase several of them for educational or professional purposes. By accessing Samsung Ht Db750 Service Manual Repair Guide versions, you eliminate the need to spend money on physical copies. This not only saves you money but also reduces the environmental impact associated with book production and transportation. Furthermore, Samsung Ht Db750 Service Manual Repair Guide books and manuals for download are incredibly convenient. With just a computer or smartphone and an internet connection, you can access a vast library of resources on any subject imaginable. Whether you're a student looking for textbooks, a professional seeking industry-specific manuals, or someone interested in self-improvement, these digital resources provide an efficient and accessible means of acquiring knowledge. Moreover, PDF books and manuals offer a range of benefits compared to other digital formats. PDF files are designed to retain their formatting regardless of the device used to open them. This ensures that the content appears exactly as intended by the author, with no loss of formatting or missing graphics. Additionally, PDF files can be easily annotated, bookmarked, and searched for specific terms, making them highly practical for studying or referencing. When it comes to accessing Samsung Ht Db750 Service Manual Repair Guide books and manuals, several platforms offer an extensive collection of resources. One such platform is Project Gutenberg, a nonprofit organization that provides over 60,000 free eBooks. These books are primarily in the public domain, meaning they can be freely distributed and downloaded. Project

Gutenberg offers a wide range of classic literature, making it an excellent resource for literature enthusiasts. Another popular platform for Samsung Ht Db750 Service Manual Repair Guide books and manuals is Open Library. Open Library is an initiative of the Internet Archive, a non-profit organization dedicated to digitizing cultural artifacts and making them accessible to the public. Open Library hosts millions of books, including both public domain works and contemporary titles. It also allows users to borrow digital copies of certain books for a limited period, similar to a library lending system. Additionally, many universities and educational institutions have their own digital libraries that provide free access to PDF books and manuals. These libraries often offer academic texts, research papers, and technical manuals, making them invaluable resources for students and researchers. Some notable examples include MIT OpenCourseWare, which offers free access to course materials from the Massachusetts Institute of Technology, and the Digital Public Library of America, which provides a vast collection of digitized books and historical documents. In conclusion, Samsung Ht Db750 Service Manual Repair Guide books and manuals for download have transformed the way we access information. They provide a cost-effective and convenient means of acquiring knowledge, offering the ability to access a vast library of resources at our fingertips. With platforms like Project Gutenberg, Open Library, and various digital libraries offered by educational institutions, we have access to an ever-expanding collection of books and manuals. Whether for educational, professional, or personal purposes, these digital resources serve as valuable tools for continuous learning and self-improvement. So why not take advantage of the vast world of Samsung Ht Db750 Service Manual Repair Guide books and manuals for download and embark on your journey of knowledge?

FAQs About Samsung Ht Db750 Service Manual Repair Guide Books

How do I know which eBook platform is the best for me? Finding the best eBook platform depends on your reading preferences and device compatibility. Research different platforms, read user reviews, and explore their features before making a choice. Are free eBooks of good quality? Yes, many reputable platforms offer high-quality free eBooks, including classics and public domain works. However, make sure to verify the source to ensure the eBook credibility. Can I read eBooks without an eReader? Absolutely! Most eBook platforms offer webbased readers or mobile apps that allow you to read eBooks on your computer, tablet, or smartphone. How do I avoid digital eye strain while reading eBooks? To prevent digital eye strain, take regular breaks, adjust the font size and background color, and ensure proper lighting while reading eBooks. What the advantage of interactive eBooks? Interactive eBooks incorporate multimedia elements, quizzes, and activities, enhancing the reader engagement and providing a more immersive learning experience. Samsung Ht Db750 Service Manual Repair Guide is one of the best book in our library for free trial. We provide copy of Samsung Ht Db750 Service Manual

Repair Guide in digital format, so the resources that you find are reliable. There are also many Ebooks of related with Samsung Ht Db750 Service Manual Repair Guide. Where to download Samsung Ht Db750 Service Manual Repair Guide online for free? Are you looking for Samsung Ht Db750 Service Manual Repair Guide PDF? This is definitely going to save you time and cash in something you should think about. If you trying to find then search around for online. Without a doubt there are numerous these available and many of them have the freedom. However without doubt you receive whatever you purchase. An alternate way to get ideas is always to check another Samsung Ht Db750 Service Manual Repair Guide. This method for see exactly what may be included and adopt these ideas to your book. This site will almost certainly help you save time and effort, money and stress. If you are looking for free books then you really should consider finding to assist you try this. Several of Samsung Ht Db750 Service Manual Repair Guide are for sale to free while some are payable. If you arent sure if the books you would like to download works with for usage along with your computer, it is possible to download free trials. The free guides make it easy for someone to free access online library for download books to your device. You can get free download on free trial for lots of books categories. Our library is the biggest of these that have literally hundreds of thousands of different products categories represented. You will also see that there are specific sites catered to different product types or categories, brands or niches related with Samsung Ht Db750 Service Manual Repair Guide. So depending on what exactly you are searching, you will be able to choose e books to suit your own need. Need to access completely for Campbell Biology Seventh Edition book? Access Ebook without any digging. And by having access to our ebook online or by storing it on your computer, you have convenient answers with Samsung Ht Db750 Service Manual Repair Guide To get started finding Samsung Ht Db750 Service Manual Repair Guide, you are right to find our website which has a comprehensive collection of books online. Our library is the biggest of these that have literally hundreds of thousands of different products represented. You will also see that there are specific sites catered to different categories or niches related with Samsung Ht Db750 Service Manual Repair Guide So depending on what exactly you are searching, you will be able to choose ebook to suit your own need. Thank you for reading Samsung Ht Db750 Service Manual Repair Guide. Maybe you have knowledge that, people have search numerous times for their favorite readings like this Samsung Ht Db750 Service Manual Repair Guide, but end up in harmful downloads. Rather than reading a good book with a cup of coffee in the afternoon, instead they juggled with some harmful bugs inside their laptop. Samsung Ht Db750 Service Manual Repair Guide is available in our book collection an online access to it is set as public so you can download it instantly. Our digital library spans in multiple locations, allowing you to get the most less latency time to download any of our books like this one. Merely said, Samsung Ht Db750 Service Manual Repair Guide is universally compatible with any devices to read.

Find Samsung Ht Db750 Service Manual Repair Guide :

rca digital converter box manual

rca rs3287 owners manual

[rca lyra rd1090 instruction manual](#)

[razor scooter user manual](#)

raymarine s1000 autopilot manual

read a pathology report

~~rca 35v432t user manual~~

rca 177ah manual

reacuteussir sa licence de droit

~~raypak pool heater repair~~

[reacuteflexions sur la violence](#)

[rca small wonder manual ez201a](#)

~~raymarine remote keypad owners manual~~

[read 5mnsu073 prevaili4](#)

~~rdbms sample paper 3 semester g scheme~~

Samsung Ht Db750 Service Manual Repair Guide :

download nederlandse handleiding loomshop nl - Sep 16 2023

web alle handleidingen en formulieren online nl typ download handleiding dé nederlandse bitcoin dit is een artikel uit de

peter van olmen serie download tor browser bundle nederlands nl afterdawn com handleiding gratis stream box activity

trackers met nederlandse handleiding download pdf de nederlandse

download nederlandse handleiding loomshop nl - Jul 14 2023

web download nederlandse handleiding loomshop nl op met onze nederlandse of belgische service en informatielijn download

het alternatieve chrome installatieprogramma op een computer

download nederlandse handleiding loomshop nl help discoveram - Apr 11 2023

web jun 10 2023 nederlandse handleiding loomshop nl it is completely straightforward then at present we extend the

associate to buy and create bargains to download and set up download nederlandse handleiding loomshop nl therefore simple

lg 43ur74006lb productondersteuning handleidingen - Nov 06 2022

web de lg customer service heeft goed geïnformeerde mensen die u graag helpen met technische ondersteuning en servicevraagstukken lg krijg productondersteuning voor de lg 43ur74006lb download 43ur74006lb handleidingen documenten en software bekijk 43ur74006lb garantie informatie en schema diensten

download nederlandse handleiding loomshop nl help discoveram - Jul 02 2022

web may 25 2023 download nederlandse handleiding loomshop nl software en downloads meer informatie nederland nederlands deze website kan het best bekeken worden via microsoft internet explorer 9 of hoger nl sports live sport van de een handleiding voor de afstandbediening vindt u in de algemene beschrijving toch willen in

download nederlandse handleiding loomshop nl pdf copy - Mar 10 2023

web apr 21 2023 nederlandse handleiding loomshop nl pdf as one of the most keen sellers here will entirely be accompanied by the best options to review download nederlandse handleiding

download nederlandse handleiding loomshop nl help discoveram - Mar 30 2022

web may 19 2023 download nederlandse handleiding loomshop nl download deze gratis nederlandse handleiding wordpress en ga meteen aan de slag met je website van pagina s aanmaken tot instellen van google analytics

download nederlandse handleiding loomshop nl - Jun 13 2023

web may 18 2023 download nederlandse handleiding loomshop nl downloads amp aanvraag documentatie handleidingen pdf over ons handleiding advanced thermostat reduced version pdf 8 47 mb download lees in jouw browser

download nederlandse handleiding loomshop nl mypithub com - Jan 28 2022

web may 6th 2018 nl support handleiding en downloads handleidingen en downloads geef om te zoeken de productnaam het modelnummer of vrije tekst in en download de husqvarna

loom in het nederlands vertaald uit het engels - Aug 03 2022

web weave on a loom 1 materials loomed in egypt 1 appear very large or occupy a commanding position 1 large shadows loomed on the canyon wall 1 come into view indistinctly often threateningly 1 another air plane loomed into the sky 1 hang over as of something threatening dark or menacing 1

download nederlandse handleiding loomshop nl - Feb 26 2022

web download nederlandse handleiding loomshop nl google chrome downloaden en installeren computer download gimp gratis laatste versie in het nederlands op ccm handleiding gratis stream box free videopad nl handleiding download videopad nl waar vind ik downloads of handleidingen voor mijn samsung kodi 17

vertaling naar nederlands voorbeelden engels reverso context - Sep 04 2022

web vertaling van loom in nederlands ww woven on a traditional loom using wooden shuttles geweven op een traditioneel weefgetouw met behulp van houten pendels traditional tapestries are woven on a horizontal or vertical loom de

ambachtelijke tapijten worden geweven op een horizontaal of een verticaal weefgetouw

rainbow loom handleidingen gebruikershandleiding com - Dec 07 2022

web bekijk en download gratis rainbow loom handleidingen of stel een vraag aan andere eigenaars in het forum

download nederlandse handleiding loomshop nl pdf - Feb 09 2023

web download nederlandse handleiding loomshop nl is available in our book collection an online access to it is set as public so you can get it instantly our books collection spans in multiple countries allowing you to get the most less latency time to download any of our books like this one

loom 6 definities encyclo - Oct 05 2022

web definities die loom bevatten rotig 1 loom soeserig 1 loom rozig 1 kleurig 2 loom 3 loom en slaperig 4 rooskleurig 5 slaperig 6 verhit lomig 1 een weinig loom 2 een weinig traag 3 enigszins loom 4 enigszins mat 5 gemelijk 6 min of meer loom zo lustig zijn als een vogeltje dat koe heet buitengewoon loom zijn

download nederlandse handleiding loomshop nl mypthub com - Jun 01 2022

web download nederlandse handleiding loomshop nl met nederlandse handleiding download download tor browser bundle nederlands nl afterdawn com handleiding en downloads husqvarna com activity trackers met nederlandse handleiding download pdf hier kunt u diverse documenten handleidingen en brochures

download nederlandse handleiding loomshop nl liululu - Apr 30 2022

web download nederlandse handleiding loomshop nl handleiding nederlandstalig in pdf downloaden iphone nl activity trackers met nederlandse handleiding download pdf

download nederlandse handleiding loomshop nl - Aug 15 2023

web nederlandse handleiding download pdf handleidingen per merk google chrome downloaden en installeren computer fitbit charge 2 handleiding download pdf fitbit kopen gnu image manipulation program gimp documentation download winrar nederlands 64 bit v5 50 nl afterdawn com de nederlandse handleiding mailchimp

download nederlandse handleiding loomshop nl pdf - Jan 08 2023

web this download nederlandse handleiding loomshop nl as one of the most in action sellers here will enormously be in the course of the best options to review apps for windows cnet download

download de nederlandse rainbow loom handleiding loommania - May 12 2023

web feb 26 2014 download de nederlandse rainbow loom handleiding het heeft even geduurd maar het is dan eindelijk zover de nederlandse rainbow loom handleiding is af en je kunt hem hier downloaden hieronder een transcript van de teksten op de nederlandse rainbowloom handleiding rainbow loom gebruiksaanwijzing

prohibido leer aprendealeer com - Apr 22 2022

web prohibido leer la playa de los lectores clandestinos baccalarío spagnol 16 90 una aventura que es un canto de amor a la lectura en un formato

prohibido leer la censura en la literatura infantil y juvenil - Jul 26 2022

web watch this story by prohibido leer on instagram before it disappears 99k followers 883 following 1 069 posts

prohibido leer santiago facebook - Aug 27 2022

web prohibido leer antología para disfrutar y comprender la lectura zetina daniel amazon com tr kitap

prohibido spanish to english translation spanishdictionary com - Dec 31 2022

web prohibido leer a lewis carroll es una novela fantástica escrita por diego arboleda publicada en 2014 que cuenta la graciosa historia de eugéne una torpe institutriz que

prohibido leer antología para disfrutar y comprender la lectura - Jun 24 2022

web cuenta la abuelita margot que cuando ella era niña su mamá le prohibió leer porque le dijo que si leía se podía volver loca por qué una mamá le diría eso a su hija acaso

prohibido leer la censura en la literatura infantil y juvenil - Aug 07 2023

web cerrillo p c eta sanchez ortiz c ed 2016 prohibido leer la censura en la literatura infantil y juvenil xabier etxaniz erle res tantak euskal herriko unibertsitateko

prohibido leer a lewis carroll resumen y todo lo que necesita - Sep 27 2022

web prohibido leer la censura en la literatura infantil y juvenil contemporánea amazon com tr kitap

prohibido leer a lewis carroll by diego arboleda - Sep 08 2023

web jan 13 2017 prohibido leer la censura en la literatura infantil y juvenil contemporánea pedro c cerrillo César Sánchez ortiz ediciones de la universidad de castilla la

prohibido leer la censura en la literatura infantil y juvenil - Jul 06 2023

web information on prohibido leer a lewis carroll by diego arboleda 2013 diego arboleda presents a story of outstanding originality and biting irony which earned him the 2014

gideon saar ministro israelí habrá zonas de seguridad en - Nov 17 2021

prohibido leer la censura en la literatura infantil y juvenil - Mar 02 2023

web 1 not allowed a forbidden adán y eva comieron del fruto prohibido y fueron expulsados del paraíso adam and eve ate the forbidden fruit and were expelled from paradise b

prohibido leer prohibido leer instagram photos and videos - Oct 09 2023

web 98k followers 882 following 1 061 posts see instagram photos and videos from prohibido leer prohibido leer

resumen del libro prohibido leer a lewis carroll diego arboleda - Mar 22 2022

web famoso el slogan prohibido prohibir suprimir la represion sexual para que el deseo aflorara en1 su estado puro la revolucion social no se daria sin la revolucion sexual y la

prohibido prohibir unam - Jan 20 2022

web 20 hours ago gideon saar ministro israelí habrá zonas de seguridad en gaza a las que estará prohibido acercarse el veterano político que se ha sumado al nuevo gobierno

prohibido prohibir spanish translator - Nov 29 2022

web mar 12 2018 prohibido leer a lewis carroll es una literatura juvenil realizada por el escritor diego arboleda e ilustrada por raul sagospe que tiene como desarrollo invitar a

prohibido leer la censura en la literatura infantil y juvenil - Oct 17 2021

prohibido leer a lewis carroll resumen sinopsis personaje - Oct 29 2022

web prohibido leer providencia chile 38 593 likes 1 talking about this 39 were here página oficial de penguin random house chile bienvenido a nuestra comunidad de

por qué tus hijos deberían leer libros prohibidos - Feb 01 2023

web translate prohibido prohibir see spanish english translations with audio pronunciations examples and word by word explanations

prohibido leer lima facebook - Dec 19 2021

web la censura en la literatura infantil y juvenil es un fenómeno que ha estado presente desde el mismo momento en que se empiezan a escribir libros para niños y de una u otra forma

prohibido leer la censura en la literatura infantil y - Apr 03 2023

web qué tanto cuestiona las normas sociales de otras épocas por ejemplo harry potter fue prohibido por personas que sintieron que promovía la magia leer un libro prohibido

prohibido leer a lewis carroll spainisculture - Jun 05 2023

web mar 23 2020 las censuras tienen un papel fundamental en la lij porque son los mecanismos con los cuales se decide qué es lo que deben leer los niños y qué no

watch this story by prohibido leer on instagram before it - May 24 2022

web mar 13 2021 460 views 1 year ago audiolibro completo gratis prohibido leer a lewis carroll link to net 256469

prohibidoleer mas resumenes y

prohibido leer la playa de los lectores - Feb 18 2022

web prohibido leer lima peru 770 likes 1 talking about this personal blog

prohibido leer la censura en la literatura infantil y juvenil unam - May 04 2023

web prohibido leer la censura en la literatura infantil y juvenil contemporánea 2016 preséntase como un monográfico que
achega novos datos imprescindíbeis para

citroen jumpy 2011 2018 1 6 hdi ve 2 0 hdi kızdırma ısıtma - Apr 22 2022

web jan 6 2018 citroen jumpy 2011 2018 1 6 hdi ve 2 0 hdi kızdırma ısıtma bujisi eurorepar sadece 65 00 tl hızlı kargo ve 12
taksit İmkanyla en kapsamlı peugeot

citroën jumpy fiyatları modelleri sahibinden com da - Jul 06 2023

web satılık citroën jumpy fiyatları ve modellerinin en güncel ilanları sahibinden com da citroën jumpy fiyatları modelleri

citroën jumpy 2 0 hdi confort citroën

citroën jumpy 2 0 hdi fiyatları modelleri sahibinden - Oct 09 2023

web satılık citroën jumpy 2 0 hdi fiyatları ve modellerinin en güncel ilanları sahibinden com da

citroën jumpy hakkında bilgi alın - Aug 27 2022

web citroën jumpy modelini hemen inceleyin detaylı bilgi almak için formu doldurup bizlerle iletişime geçin 2 0 bluehdi 180
hp eat8 motor silindir adedi 4 motor hacmi

2011 citroen jumpy ii 2 0 hdi 128 hp 11h1 dpf - Jun 05 2023

web citroen jumpy ii 2 0 hdi 128 hp 11h1 dpf minivan 2011 technical specs fuel consumption dimensions 128 hp 170 km h 105
63 mph 6 8 l 100 km 34 59 us mpg

citroën jumpy van 2 0 hdi 120hp 2011 car info - Dec 19 2021

web on car info you can read 9 classifieds scroll through 14 images and look at specifications and statistics of citroën jumpy
van 2 0 hdi 120hp 2011

[citroen jumpy vaihtoautot nettiauto](#) - Feb 18 2022

web 100 kpl citroen jumpy vaihtoautoa autoilmoitusta kaipaavat huomiotasi hintaluokissa 999 63 174 999 63174 tutki
ilmoitukset ja valitse oma lue lisää citroen jumpy

citroen jumpy ii combi 2 0 hdi 163km od 2011 dane testy - May 24 2022

web o citroen jumpy ii combi 2 0 hdi 163km 120kw od 2011 lata produkcji 2011 2016 segment vany dodaj do ulubionych
Średniej wielkości samochód dostawczy

2011 citroen jumpy ii 2 0 hdi 128 bg 11h1 dpf - Aug 07 2023

web 215 60 r16 jant boyutu 16 citroen jumpy ii 2 0 hdi 128 bg 11h1 dpf minibüs 2011 teknik özellikler yakıt tüketimi boyutlar
128 bg 170 km saat 105 63 mph 6 8 lt 100

[citroen jumpy 2 0 hdi n1 2011 god njuškalo](#) - Jan 20 2022

web citroen jumpy 2 0 hdi n1 2011 god uz payprotect saznaj više kako jednostavno i sigurno trgovati na njuškalu uz payprotect oglasnik auto moto osobni automobili

2011 citroen jumpy ii multispace 2 0 hdi 128 hp l1 dpf - May 04 2023

web citroen jumpy ii multispace 2 0 hdi 128 hp l1 dpf minivan 2011 technical specs fuel consumption dimensions 128 hp 170 km h 105 63 mph 0 100 km h 13 4 sec 0

citroën jumpy van 2 0 hdi manual 120hp 2011 car info - Sep 27 2022

web on car info you can read 8 classifieds scroll through 14 images and look at specifications and statistics of citroën jumpy van 2 0 hdi manual 120hp 2011

[2010 citroen jumpy ii 2 0 hdi 120 hp l2h1 dpf](#) - Feb 01 2023

web citroen jumpy ii 2 0 hdi 120 hp l2h1 dpf minivan 2010 2011 technical specs fuel consumption dimensions 120 hp 160 km h 99 42 mph 7 4 l 100 km 31 79 us mpg

2011 citroen jumpy ii multispace 2 0 hdi 128 hv l1 dpf - Mar 22 2022

web citroen jumpy ii multispace 2 0 hdi 128 hv l1 dpf minibussi 2011 tekniset tiedot polttoaineenkulutus mitat 128 hv 170 km h 105 63 mph 0 100 km h 13 4 s 0 60 mph

citroen jumpy ii 2 0 hdi 120 hp 2010 2011 mpg wltc fuel - Nov 29 2022

web real mpg technical specifications of citroen jumpy ii 2 0 hdi 120 hp 2010 2011 compare power torque dimensions true mpg fuel tank trunk capacity

2010 citroen jumpy ii 2 0 hdi 120 hp l1h1 dpf - Apr 03 2023

web citroen jumpy ii 2 0 hdi 120 hp l1h1 dpf minivan 2010 2011 technical specs fuel consumption dimensions 120 hp 160 km h 99 42 mph 7 2 l 100 km 32 67 us mpg

used citroen jumpy for sale autoscout24 - Oct 29 2022

web find new and used citroen jumpy offers on autoscout24 the largest pan european online car market

find citroen jumpy from 2011 for sale autoscout24 - Mar 02 2023

web find citroen jumpy from 2011 offers for sale on autoscout24 the largest pan european online car market

sahibinden citroën jumpy fiyatları modelleri - Sep 08 2023

web sahibinden satılık citroën jumpy fiyatları ve modellerinin en güncel ilanları sahibinden com da sahibinden citroën jumpy fiyatları modelleri 2 0 hdi 2019

[citroën jumpy ticari araç fiyatları citroën türkiye](#) - Jun 24 2022

web citroën jumpy modelinin fiyatlarını hemen öğrenin birbirinden farklı versiyon ve opsiyonlarını incelemeye hemen

başlayın citroën in tüm otomobillerini ve ticari

[citroen jumpy 2006 combi l1h1 2 0 hdi 2010 2011 2012](#) - Jul 26 2022

web citroen jumpy 2006 combi l1h1 2 0 hdi 2 0 diesel 138 hp 7 4 l 100km citroen jumpy 2006 combi l2h1 2 0 hdi 2 0 diesel 138 hp 7 6 l 100km citroen jumpy 2010 combi

citroën jumpy 2 0 hdi 128hp 2011 car info - Dec 31 2022

web on car info you can look at specifications and statistics of citroën jumpy 2 0 hdi 128hp 2011