

PHYSICAL SCIENCES P.1

SCOPE

GRADE 12

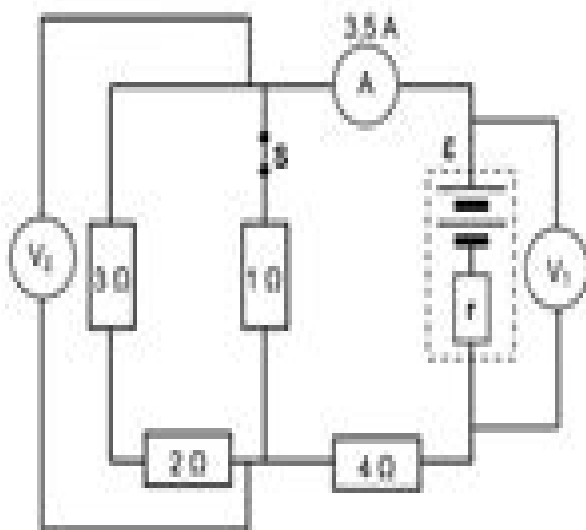
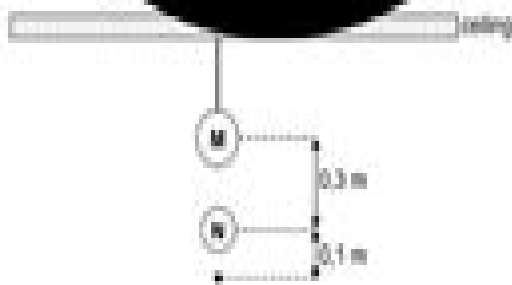
2024

FINAL EXAM



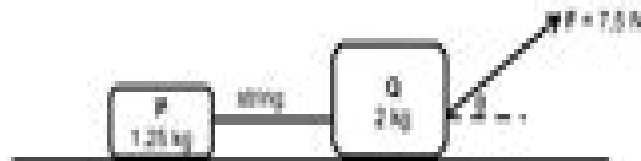
basic education

Department:
Basic Education
REPUBLIC OF SOUTH AFRICA



mass 1.25 kg is connected to another crate, Q , of mass 2 kg by a light string. The two crates are placed on a rough horizontal surface. A force F of magnitude 7.5 N , acting at angle θ to the horizontal, is applied on shown in the diagram below.

accelerate at 0.1 m s^{-2} to the right.



Scope For Physical Science Papergrade1

R Pring



Scope For Physical Science Papergrade1:

Introductory Physical Science Uri Haber-Schaim, Science Curriculum Inc, 2005 **Pearson EText Conceptual Physical Science -- Access Card** Paul G. Hewitt, John A. Suchocki, Leslie A. Hewitt, 2017-12-07 For one or two semester physical science survey courses for non science majors Pearson eText offers an affordable simple to use mobile reading experience that lets instructors and students extend learning beyond class time Students can study highlight and take notes in their Pearson eText on Android and iPhone mobile phones and tablets even when they are offline Educators can also add their own notes and highlights directly in the eTextbook so that students see what is important for their particular course Opening the Doors of Science Pearson eText for Conceptual Physical Science Sixth Edition provides a conceptual overview of basic essential topics in physics chemistry earth science and astronomy with optional quantitative analyses The authors focus on concepts before computations With its clear friendly writing style and strong integration of the sciences this book connects well with all students Learn more about Pearson eText NOTE Pearson eText is a fully digital delivery of Pearson content This ISBN is for the standalone Pearson eText access card In addition to this access card you will need a course invite link provided by your instructor to register for and use Pearson eText **Introductory Physical Science** Uri Haber-Schaim, Reed Cutting, H. Graden Kirksey, Harold A. Pratt, 1999 **Physical Science** Bill W. Tillery, Stephanie J. Slater, Timothy F. Slater, 2019 *Conceptual Physical Science* Paul G. Hewitt, John A. Suchocki, Leslie A. Hewitt, 2011-11-21 This is the eBook of the printed book and may not include any media website access codes or print supplements that may come packaged with the bound book Conceptual Physical Science Fifth Edition takes learning physical science to a new level by combining Hewitt's leading conceptual approach with a friendly writing style strong integration of the sciences more quantitative coverage and a wealth of media resources to help professors in class and students out of class It provides a conceptual overview of basic essential topics in physics chemistry earth science and astronomy with optional quantitative coverage **Physical Science** Bill Tillery, 2011-01-14 Physical Science Ninth Edition is a straightforward easy to read but substantial introduction to the fundamental behavior of matter and energy It is intended to serve the needs of non science majors who are required to complete one or more physical science courses It offers exceptional straight forward writing complemented with useful pedagogical tools Physical Science introduces basic concepts and key ideas while providing opportunities for students to learn reasoning skills and a new way of thinking about their environment No prior work in science is assumed The text offers students complete coverage of the physical sciences with a level of explanation and detail appropriate for all students The sequence of chapters in Physical Science is flexible and the instructor can determine topic sequence and depth of coverage as needed The materials are also designed to support a conceptual approach or a combined conceptual and problem solving approach Along with the accompanying laboratory manual the text contains enough material for the instructor to select a sequence for a two semester course It can also serve as a text in a one semester physics and

chemistry course Introductory Physical Science (IPS) Text - 6th Ed Uri Haber-Schaim,1994 **Loose Leaf Version for Physical Science** Bill Tillery,2013-01-18 Physical Science Tenth Edition is intended to serve the needs of non science majors who are required to complete one or more physical science courses It offers exceptional straight forward writing complemented with useful pedagogical tools Physical Science introduces basic concepts and key ideas while providing opportunities for students to learn reasoning skills and a new way of thinking about their environment No prior work in science is assumed The text offers students complete coverage of the physical sciences with a level of explanation and detail appropriate for all students The sequence of chapters in Physical Science is flexible and the instructor can determine topic sequence and depth of coverage as needed The materials are also designed to support a conceptual approach or a combined conceptual and problem solving approach Along with the accompanying laboratory manual the text contains enough material for the instructor to select a sequence for a two semester course With the Loose Leaf version of this title students can save over half off the cost of a print book Loose Leaf pages come binder ready and students need only take to class the chapter s they are learning *Introductory Physical Science* Uri Haber-Schaim,Judson B. Cross,Gerald L. Abegg,1977-01-01

Exploring Physical Science Walter A. Thurber, **Introductory physical science** ,1967 **Globe Physical Science** Bryan H. Bunch,1996 Physical Science ,1986 Physical Science Joan DiStasio,1995 *Exploring Physical Science* Walter A. Thurber,Robert E. Kilburn,1967 *Introduction to Physical Science* Alfred Payson Gage,1898 Focus on Physical Science Charles H. Heimler,Jack Price,Charles E. Merrill Publishing Company,1981 Introductory Physical Science Educational services incorporated. Physical science study committee,1964 *Physical Science* Gordon P. Johnson,Bonnie B. Barr,Michael B. Leyden,1988 Introductory Physical Science Educational services incorporated. Physical science study committee,1966

Recognizing the artifice ways to get this books **Scope For Physical Science Papergrade1** is additionally useful. You have remained in right site to start getting this info. get the Scope For Physical Science Papergrade1 member that we pay for here and check out the link.

You could purchase guide Scope For Physical Science Papergrade1 or get it as soon as feasible. You could quickly download this Scope For Physical Science Papergrade1 after getting deal. So, once you require the books swiftly, you can straight acquire it. Its correspondingly entirely easy and for that reason fats, isnt it? You have to favor to in this publicize

https://crm.avenza.com/data/uploaded-files/HomePages/outreach_get_motivated_to_reach_your_friends.pdf

Table of Contents Scope For Physical Science Papergrade1

1. Understanding the eBook Scope For Physical Science Papergrade1
 - The Rise of Digital Reading Scope For Physical Science Papergrade1
 - Advantages of eBooks Over Traditional Books
2. Identifying Scope For Physical Science Papergrade1
 - Exploring Different Genres
 - Considering Fiction vs. Non-Fiction
 - Determining Your Reading Goals
3. Choosing the Right eBook Platform
 - Popular eBook Platforms
 - Features to Look for in an Scope For Physical Science Papergrade1
 - User-Friendly Interface
4. Exploring eBook Recommendations from Scope For Physical Science Papergrade1
 - Personalized Recommendations
 - Scope For Physical Science Papergrade1 User Reviews and Ratings
 - Scope For Physical Science Papergrade1 and Bestseller Lists
5. Accessing Scope For Physical Science Papergrade1 Free and Paid eBooks

- Scope For Physical Science Papergrade1 Public Domain eBooks
 - Scope For Physical Science Papergrade1 eBook Subscription Services
 - Scope For Physical Science Papergrade1 Budget-Friendly Options
6. Navigating Scope For Physical Science Papergrade1 eBook Formats
 - ePub, PDF, MOBI, and More
 - Scope For Physical Science Papergrade1 Compatibility with Devices
 - Scope For Physical Science Papergrade1 Enhanced eBook Features
 7. Enhancing Your Reading Experience
 - Adjustable Fonts and Text Sizes of Scope For Physical Science Papergrade1
 - Highlighting and Note-Taking Scope For Physical Science Papergrade1
 - Interactive Elements Scope For Physical Science Papergrade1
 8. Staying Engaged with Scope For Physical Science Papergrade1
 - Joining Online Reading Communities
 - Participating in Virtual Book Clubs
 - Following Authors and Publishers Scope For Physical Science Papergrade1
 9. Balancing eBooks and Physical Books Scope For Physical Science Papergrade1
 - Benefits of a Digital Library
 - Creating a Diverse Reading Collection Scope For Physical Science Papergrade1
 10. Overcoming Reading Challenges
 - Dealing with Digital Eye Strain
 - Minimizing Distractions
 - Managing Screen Time
 11. Cultivating a Reading Routine Scope For Physical Science Papergrade1
 - Setting Reading Goals Scope For Physical Science Papergrade1
 - Carving Out Dedicated Reading Time
 12. Sourcing Reliable Information of Scope For Physical Science Papergrade1
 - Fact-Checking eBook Content of Scope For Physical Science Papergrade1
 - Distinguishing Credible Sources
 13. Promoting Lifelong Learning
 - Utilizing eBooks for Skill Development

- Exploring Educational eBooks
- 14. Embracing eBook Trends
 - Integration of Multimedia Elements
 - Interactive and Gamified eBooks

Scope For Physical Science Papergrade1 Introduction

Free PDF Books and Manuals for Download: Unlocking Knowledge at Your Fingertips In today's fast-paced digital age, obtaining valuable knowledge has become easier than ever. Thanks to the internet, a vast array of books and manuals are now available for free download in PDF format. Whether you are a student, professional, or simply an avid reader, this treasure trove of downloadable resources offers a wealth of information, conveniently accessible anytime, anywhere. The advent of online libraries and platforms dedicated to sharing knowledge has revolutionized the way we consume information. No longer confined to physical libraries or bookstores, readers can now access an extensive collection of digital books and manuals with just a few clicks. These resources, available in PDF, Microsoft Word, and PowerPoint formats, cater to a wide range of interests, including literature, technology, science, history, and much more. One notable platform where you can explore and download free Scope For Physical Science Papergrade1 PDF books and manuals is the internet's largest free library. Hosted online, this catalog compiles a vast assortment of documents, making it a veritable goldmine of knowledge. With its easy-to-use website interface and customizable PDF generator, this platform offers a user-friendly experience, allowing individuals to effortlessly navigate and access the information they seek. The availability of free PDF books and manuals on this platform demonstrates its commitment to democratizing education and empowering individuals with the tools needed to succeed in their chosen fields. It allows anyone, regardless of their background or financial limitations, to expand their horizons and gain insights from experts in various disciplines. One of the most significant advantages of downloading PDF books and manuals lies in their portability. Unlike physical copies, digital books can be stored and carried on a single device, such as a tablet or smartphone, saving valuable space and weight. This convenience makes it possible for readers to have their entire library at their fingertips, whether they are commuting, traveling, or simply enjoying a lazy afternoon at home. Additionally, digital files are easily searchable, enabling readers to locate specific information within seconds. With a few keystrokes, users can search for keywords, topics, or phrases, making research and finding relevant information a breeze. This efficiency saves time and effort, streamlining the learning process and allowing individuals to focus on extracting the information they need. Furthermore, the availability of free PDF books and manuals fosters a culture of continuous learning. By removing financial barriers, more people can access educational resources and pursue lifelong learning, contributing to personal growth and professional development. This democratization of knowledge promotes

intellectual curiosity and empowers individuals to become lifelong learners, promoting progress and innovation in various fields. It is worth noting that while accessing free Scope For Physical Science Papergrade1 PDF books and manuals is convenient and cost-effective, it is vital to respect copyright laws and intellectual property rights. Platforms offering free downloads often operate within legal boundaries, ensuring that the materials they provide are either in the public domain or authorized for distribution. By adhering to copyright laws, users can enjoy the benefits of free access to knowledge while supporting the authors and publishers who make these resources available. In conclusion, the availability of Scope For Physical Science Papergrade1 free PDF books and manuals for download has revolutionized the way we access and consume knowledge. With just a few clicks, individuals can explore a vast collection of resources across different disciplines, all free of charge. This accessibility empowers individuals to become lifelong learners, contributing to personal growth, professional development, and the advancement of society as a whole. So why not unlock a world of knowledge today? Start exploring the vast sea of free PDF books and manuals waiting to be discovered right at your fingertips.

FAQs About Scope For Physical Science Papergrade1 Books

How do I know which eBook platform is the best for me? Finding the best eBook platform depends on your reading preferences and device compatibility. Research different platforms, read user reviews, and explore their features before making a choice. Are free eBooks of good quality? Yes, many reputable platforms offer high-quality free eBooks, including classics and public domain works. However, make sure to verify the source to ensure the eBook credibility. Can I read eBooks without an eReader? Absolutely! Most eBook platforms offer web-based readers or mobile apps that allow you to read eBooks on your computer, tablet, or smartphone. How do I avoid digital eye strain while reading eBooks? To prevent digital eye strain, take regular breaks, adjust the font size and background color, and ensure proper lighting while reading eBooks. What the advantage of interactive eBooks? Interactive eBooks incorporate multimedia elements, quizzes, and activities, enhancing the reader engagement and providing a more immersive learning experience. Scope For Physical Science Papergrade1 is one of the best book in our library for free trial. We provide copy of Scope For Physical Science Papergrade1 in digital format, so the resources that you find are reliable. There are also many Ebooks of related with Scope For Physical Science Papergrade1. Where to download Scope For Physical Science Papergrade1 online for free? Are you looking for Scope For Physical Science Papergrade1 PDF? This is definitely going to save you time and cash in something you should think about.

Find Scope For Physical Science Papergrade1 :

outreach get motivated to reach your friends

out of bounds balls to the walls book 6

outback mushroom soup recipe

owner manual 2009 pontiac montana sv6

oster 4292 blenders owners manual

otis wiring diagrams electrical elevators

outline for doing an oral report on a person

overlord d day and the battle for normandy

osmosis and diffusion practice worksheet answer key

our social world wayne sproule solution manual

over cute animals the most cute animal pictures aroundenglish edition

outsiders guide answer key

owner manual bmw 320i

overfill manual transmission fluid

~~outboard motor repair and service manual~~

Scope For Physical Science Papergrade1 :

madness italian edition kindle edition by vizza mariadora - Jun 12 2023

web jan 27 2023 madness italian edition kindle edition by vizza mariadora download it once and read it on your kindle device pc phones or tablets use features like

madness italian edition kindle edition amazon in - Feb 08 2023

web select the department you want to search in

italian translation of madness collins online dictionary - Jul 01 2022

web jul 1 2009 the fiat x 19 is the most wonderfully designed italian sports car of the 1970s i was lucky enough to own a 78 bertone signature edition 1305 i think german racing

madness italian edition vizza mariadora amazon sg books - Mar 09 2023

web select the department you want to search in

mid engine madness italian edition ferrari 308 and fiat x1 9 - May 31 2022

web madness italian edition recognizing the habit ways to get this books madness italian edition is additionally useful you have remained in right site to begin getting this info

amazon sg customer reviews madness italian edition - Aug 14 2023

web find helpful customer reviews and review ratings for madness italian edition at amazon com read honest and unbiased product reviews from our users

madness italian edition kindle edition amazon ca - Jan 07 2023

web may 3 2019 madness vipers series vol 1 italian edition ebook lin mary amazon co uk kindle store

madness italian edition sam arabtravelers com - Jan 27 2022

web sep 15 2023 the italian german and spanish words for jam are marmellata marmelade and mermelada respectively but those words cannot be used on the supermarket shelves under the reforms marmalade will now

madness italian edition sam arabtravelers - Nov 24 2021

muse madness the 2nd law testo canzone con traduzione - Aug 02 2022

web italian translation of madness the official collins english italian dictionary online over 100 000 italian translations of english words and phrases

madness vipers series vol 1 italian edition kindle edition - Dec 06 2022

web madness italian edition is available in our book collection an online access to it is set as public so you can download it instantly our digital library hosts in multiple countries

it s madness wikipedia - Feb 25 2022

web mccann clarence between desire and pleasure national geographic society a guide for translators translation trainees and students working with different written graphic

marmalade could have citrus added to its name under eu - Dec 26 2021

web madness italian edition 1 madness italian edition madness italian edition downloaded from sam arabtravelers com by guest miles hailey title madness italian edition

mid engine madness italian edition ferrari 308 and fiat - Apr 10 2023

web hello sign in account lists returns orders cart

madness italian edition by vizza mariadora amazon ae - Jul 13 2023

web buy madness italian edition by vizza mariadora online on amazon ae at best prices fast and free shipping free returns cash on delivery available on eligible purchase

madness italian edition kindle edition amazon com au - Oct 04 2022

web madness noun no plural uk 'mæd nəʊs us 'mæd nəʊs stupid or dangerous behaviour pazzia follia it is madness to drive that fast È una follia guidare così velocemente

madness italian edition arenaserver click - Mar 29 2022

web madness is a compilation album by the british pop band madness released in 1990 it combines some of the band s hit singles and b sides a sequel to this it s madness

madness italian edition vizza mariadora 9798373508339 - May 11 2023

web jan 26 2023 madness italian edition vizza mariadora on amazon com free shipping on qualifying offers madness italian edition

madness italian edition book - Apr 29 2022

web madness italian edition immunitas madness and society in eighteenth century scotland criminal woman the prostitute and the normal woman summary the geography

madness italian edition doblespacio uchile cl - Nov 05 2022

web hello sign in account lists returns orders cart

madness in italian cambridge dictionary - Sep 03 2022

web madness m m m m m mad mad mad m m m m m mad mad mad m m m m m mad mad mad m m m m m mad mad mad i i can t get this memories out of my mind it s some

[mitsubishi lancer user s manuals manuals mitsubishi](#) - Mar 03 2023

web feb 15 2015 download manual download 2010 mitsubishi lancer sportback owner s manual posted on 15 feb 2015 by nomugs model 2010 mitsubishi lancer

2010 mitsubishi lancer sportback user manuals guides - Feb 19 2022

web 2010 mitsubishi lancer sportback service manual typical table of contents vehicle specific information maintenance wiring diagrams body repairs wheels and tyres

mitsubishi lancer sportback 2010 8 g owners manual - Sep 28 2022

web view print and download for free mitsubishi lancer sportback 2010 8 g owners manual 658 pages pdf size 20 68 mb carmanualsonline info is the largest online

mitsubishi lancer 2010 8 g owners manual 670 pages - Mar 23 2022

web to jump start your car make sure the booster vehicle is off connect the positive red cable to the positive terminals of both batteries attach the negative black cable to the booster

[2010 mitsubishi lancer sportback owner s manual 658 pages](#) - Jun 06 2023

web we have 1 mitsubishi lancer sportback manual available for free pdf download owner s manual mitsubishi lancer

sportback owner s manual 433 pages brand

mitsubishi lancer sportback 2010 user manual english 658 - Aug 08 2023

web feb 15 2015 2010 mitsubishi lancer sportback owner s manual 658 pages posted on 15 feb 2015 by nomugs model 2010 mitsubishi lancer sportback file size 21

user manual mitsubishi lancer sportback 2011 english 706 - Jan 21 2022

web view the mitsubishi lancer sportback 2010 manual for free or ask your question to other mitsubishi lancer sportback 2010 owners usermanuals au mitsubishi

mitsubishi lancer sportback 2010 manual manualscat com - Jun 25 2022

web mitsubishi lancer v users manuals english 20 7 mb 10gs44s nafta cover2 fm 1 □□□ 2009□3□31□ □□□ □□3□12□ introduction throughout this manual the

2010 mitsubishi lancer owner s manual pdf 670 - Jul 07 2023

web 2010 mitsubishi lancer sportback pdf owner s manuals in english owner s manual 658 pages mitsubishi lancer sportback models 2014 mitsubishi lancer sportback

user manual mitsubishi lancer sportback 2010 english 658 - Oct 10 2023

web below you will find the product specifications and the manual specifications of the mitsubishi lancer sportback 2010 the mitsubishi lancer sportback is a compact

2010 mitsubishi lancer sportback owner s manual - Oct 30 2022

web view print and download for free mitsubishi lancer sportback 2010 8 g owners manual 658 pages pdf size 20 68 mb search in mitsubishi lancer

2010 mitsubishi lancer sportback pdf owner s manuals - May 05 2023

web 2011 lancer service manual espanol pdf user s manuals 15 5 mb spanish 585 lancer v 2010 2010 lancer sportback users manual pdf user s manuals 20 7 mb english 658

mitsubishi lancer sportback 2010 8 g owners manual - Jul 27 2022

web view mitsubishi lancer sportback manuals online for free carmanualsonline info is the largest free online database of mitsubishi owner s manuals and mitsubishi

mitsubishi lancer sportback manuals manualslib - Apr 04 2023

web 2010 mitsubishi lancer sportback pdf owner s manuals in english owner s manual 658 pages mmcs manual 161 pages mitsubishi lancer sportback models 2014

mitsubishi lancer sportback 2010 owner s manual - Nov 30 2022

web view print and download for free mitsubishi lancer sportback 2010 8 g owners manual 658 pages pdf size 20 68 mb

search in mitsubishi lancer

2010 lancer sportback users manual pdf 20 7 mb user s - Apr 23 2022

web browse 2010 mitsubishi lancer sportback owner s manuals user guides instructional help documents operating information to learn more about your product search fixya

mitsubishi lancer sportback owner s - Sep 09 2023

web view the mitsubishi lancer sportback 2010 manual for free or ask your question to other mitsubishi lancer sportback 2010 owners manuals co uk manuals co uk

2010 mitsubishi lancer sportback manuals - Feb 02 2023

web mitsubishi lancer sportback 2010 owner s manual introduction n09200100732 thank you for buying a mitsubishi lancer sportback we are confident you will enjoy

mitsubishi lancer sportback 2010 8 g owners manual - Aug 28 2022

web user manual for the mitsubishi lancer sportback 2010 in english this pdf manual has 658 pages

2010 mitsubishi lancer sportback repair manual factory manuals - Dec 20 2021

download 2010 mitsubishi lancer sportback owner s manual - Jan 01 2023

web 2010 mitsubishi lancer sportback owner s manual posted on 9 apr 2015 model 2010 mitsubishi lancer sportback pages 658 file size 21 mb download manual manual

user manual mitsubishi lancer sportback 2010 english 658 - Nov 18 2021

2010 mitsubishi lancer sportback 8 g owner s and - May 25 2022

web view print and download for free mitsubishi lancer 2010 8 g owners manual 670 pages pdf size 25 18 mb search in mitsubishi lancer 2010 8 g owners

end of chapter exercises electrostatics siyavula - Dec 10 2022

question 5 superposition principle can not be applied to these quantities in electrostatics a electrostatic energy b electric field c electric potential d electric force answers a it can

chapter 2 electrostatics university of rochester - Feb 12 2023

electrostatics objective questions the below list provides all the multiple choice questions related to electrostatics answers are available at the bottom of the article 1 which is the

electrostatics multiple choice questions with answers - Apr 02 2022

jee main previous year solved questions on electrostatics q1 three charges q q q are placed respectively at distance 0 d 2 and

d from the origin on the x axis if the net force

electrostatics questions practice questions with - Sep 19 2023

choose 1 answer the solution becomes negatively charged due to the majority cl ions a the solution becomes negatively charged due to the majority cl ions the solution becomes positively charged due to the stronger mg 2 ions b the solution becomes positively charged due to

session 9 electrostatics key concepts - Jun 04 2022

sep 25 2023 get electrostatics multiple choice questions mcq quiz with answers and detailed solutions download these free electrostatics mcq quiz pdf and prepare for your

electrostatics i questions and answers physics form 1 topical - Oct 08 2022

30 must do questions of electrostatics for jee main electrostatics and capacitor important topics electrostatics and capacitor important questions select the correct answer

allen electrostatics allen career institute - Apr 14 2023

static electricity aqa test questions the motion of charged particles causes electrical effects small shocks lightning and sparks electrical fields cause forces to act on charged particles

electrostatics exam 1 and problem solutions - Mar 13 2023

choose the correct answer from the options below the spheres will swing towards each other due to the attractive electrostatic force between them

jee main electrostatics previous year questions with solutions - Dec 30 2021

electrostatics questions and answers topperlearning - Nov 28 2021

physics university of british columbia - Jun 16 2023

allen electrostatics 3 e de06 b0ba bb kota jee main jee ma 2021 sbec topc pdf wh sution phc egh eectrosacs 11 given below are two statements statement i an electric

what is electrostatics read physics notes books careers360 - Jan 31 2022

sep 20 2023 explore the latest questions and answers in electrostatics and find electrostatics experts

electrostatic problems with solutions and explanations - Aug 18 2023

question titlesolution answer d somewhere in region d justification with the test charge and c 1 being negative there is a repulsive force on the test charge to the right from c

short questions on electrostatics along with answers mostly - Sep 07 2022

session 9 electrostatics key concepts in this session we will focus on summarising what you need to know about electrostatics and types of charges electric fields properties

electrostatics definition formulas britannica - May 03 2022

before solving a question first of all look at what quantities are given and then think of a strategy to solve the question books for electrostatics first of all read the ncert book each and

electrostatics definition examples problems notes byju s - Jul 05 2022

electrostatics multiple choice questions with answers physics book back 1 mark questions with answers solution physics

electrostatics multiple choice questions with answers

225 electrostatics objective questions and answers - Nov 09 2022

1 depends on the magnitude of charges 2 force between two charges may be attractive or repulsive 3 it depends on the medium 4 applicable only for charges at rest gravitational

282 questions with answers in electrostatics science - Oct 28 2021

static electricity aqa test questions bbc - Jan 11 2023

jul 16 2021 explain the observation in the clothing and textile industries the machines experiences electrostatics forces at certain points suggests one method of reducing these

electrostatics mcq free pdf objective question answer for - Mar 01 2022

jul 12 2013 1 compute the ratio of gravitational force and electrostatic force between an electron mass 9.1×10^{-31} kg and a proton mass 1.67×10^{-27} kg given $e = 1.6 \times 10^{-19}$ C

electrostatics questions and answers brief short answers - Aug 06 2022

oct 6 2023 electrostatics the study of electromagnetic phenomena that occur when there are no moving charges i.e. after a static equilibrium has been established charges reach their

electrostatics questions practice khan academy - Jul 17 2023

when solving an electrostatics problem follow the following steps ad blocker detected knowledge is free but servers are not please consider supporting us by disabling your ad

[electrostatics problems and solutions youphysics education](#) - May 15 2023

outside express your answer in terms of the total charge q on the surface $p = z \cos\theta$ $z \sin\theta$ $z \cos\theta$ $z \sin\theta$ figure 2.4 problem 2.7

consider a slice of the shell centered on the z axis see