

Scanstrut Self-Levelling Pole Mount Installation Instructions (LMP-1/LMP-2)

2 M6 x 12mm bolt
M6 Nylon nut/washer set

3 M6 Nylon washer
M6 Nylon nut/washer set
M6 Nylon nut/washer set

4 M6 Nylon nut/washer set
M6 Nylon nut/washer set
M6 Nylon nut/washer set

5 M6 Nylon nut/washer set
M6 Nylon nut/washer set
M6 Nylon nut/washer set

6 M6 Nylon nut/washer set
M6 Nylon nut/washer set
M6 Nylon nut/washer set

7 M6 Nylon nut/washer set
M6 Nylon nut/washer set
M6 Nylon nut/washer set

8 M6 Nylon nut/washer set
M6 Nylon nut/washer set
M6 Nylon nut/washer set

9 M6 Nylon nut/washer set
M6 Nylon nut/washer set
M6 Nylon nut/washer set

10 M6 Nylon nut/washer set
M6 Nylon nut/washer set
M6 Nylon nut/washer set

11 M6 Nylon nut/washer set
M6 Nylon nut/washer set
M6 Nylon nut/washer set

12 M6 Nylon nut/washer set
M6 Nylon nut/washer set
M6 Nylon nut/washer set

13 M6 Nylon nut/washer set
M6 Nylon nut/washer set
M6 Nylon nut/washer set

14 M6 Nylon nut/washer set
M6 Nylon nut/washer set
M6 Nylon nut/washer set

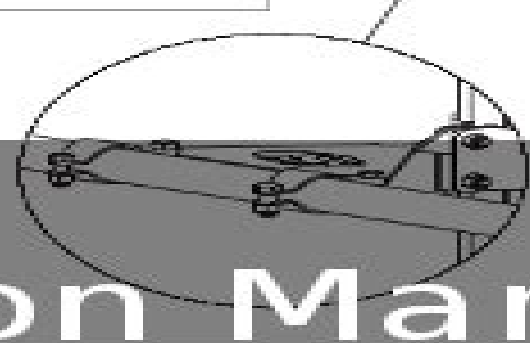
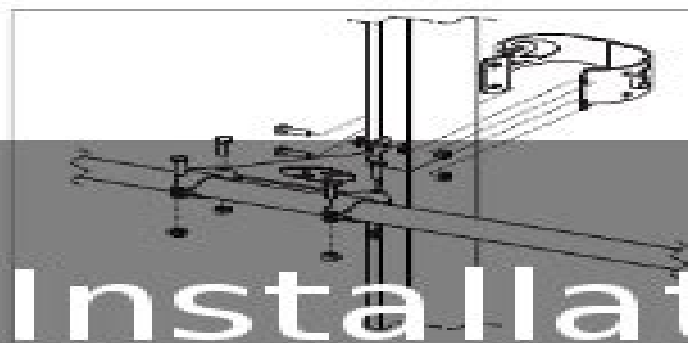
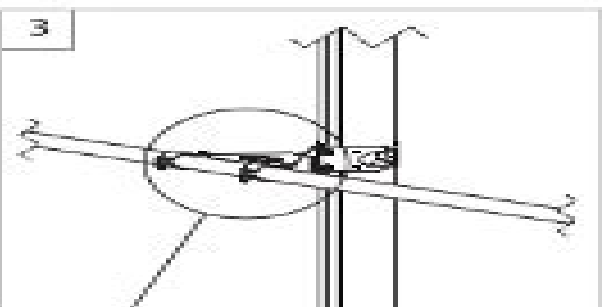
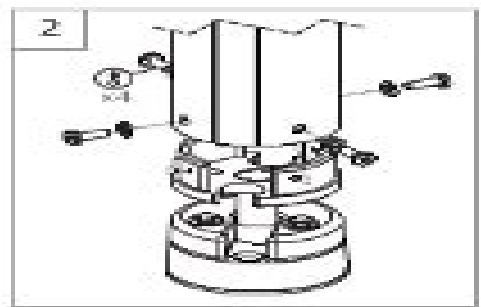
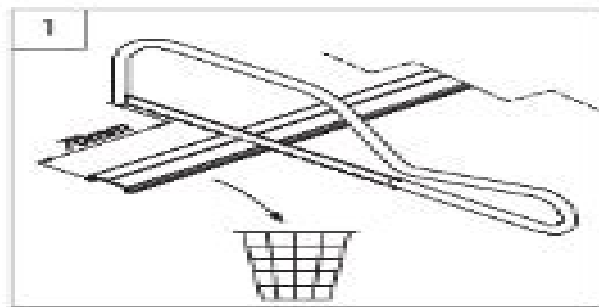
15 M6 Nylon nut/washer set
M6 Nylon nut/washer set
M6 Nylon nut/washer set

Tools Required

- 4mm
- 4mm Flat Head
- Pocket No. 3 Screwdriver
- 13mm x 2
- 10mm x 1
- φ4.5, φ6.5mm

16 M6 x 25mm bolt
M6 Nylon nut/washer set
M6 Nylon nut/washer set
M6 Nylon nut/washer set
M6 Nylon nut/washer set
M6 Nylon nut/washer set
M6 Nylon nut/washer set
M6 Nylon nut/washer set

17 M6 Nylon nut/washer set
M6 Nylon nut/washer set
M6 Nylon nut/washer set
M6 Nylon nut/washer set
M6 Nylon nut/washer set
M6 Nylon nut/washer set
M6 Nylon nut/washer set
M6 Nylon nut/washer set



Installation Manual

Scanstrut Sc100 Pole Lmp 1 Lmp 2 Installation Manual User Guide

Huangqi Zhang



Scanstrut Sc100 Pole Lmp 1 Lmp 2 Installation Manual User Guide:

Whispering the Secrets of Language: An Mental Journey through **Scanstrut Sc100 Pole Lmp 1 Lmp 2 Installation Manual User Guide**

In a digitally-driven earth where screens reign great and immediate conversation drowns out the subtleties of language, the profound strategies and mental subtleties concealed within words usually get unheard. However, located within the pages of **Scanstrut Sc100 Pole Lmp 1 Lmp 2 Installation Manual User Guide** a charming fictional prize sporting with fresh emotions, lies an exceptional journey waiting to be undertaken. Published by an experienced wordsmith, this marvelous opus attracts viewers on an introspective journey, gently unraveling the veiled truths and profound impact resonating within the very cloth of each word. Within the emotional depths of the poignant review, we can embark upon a sincere exploration of the book is core themes, dissect its captivating publishing model, and succumb to the powerful resonance it evokes strong within the recesses of readers hearts.

<https://crm.avenza.com/data/Resources/default.aspx/Repair%20Panels%20Auto%20Body%20Rust.pdf>

Table of Contents Scanstrut Sc100 Pole Lmp 1 Lmp 2 Installation Manual User Guide

1. Understanding the eBook Scanstrut Sc100 Pole Lmp 1 Lmp 2 Installation Manual User Guide
 - The Rise of Digital Reading Scanstrut Sc100 Pole Lmp 1 Lmp 2 Installation Manual User Guide
 - Advantages of eBooks Over Traditional Books
2. Identifying Scanstrut Sc100 Pole Lmp 1 Lmp 2 Installation Manual User Guide
 - Exploring Different Genres
 - Considering Fiction vs. Non-Fiction
 - Determining Your Reading Goals
3. Choosing the Right eBook Platform
 - Popular eBook Platforms
 - Features to Look for in an Scanstrut Sc100 Pole Lmp 1 Lmp 2 Installation Manual User Guide
 - User-Friendly Interface
4. Exploring eBook Recommendations from Scanstrut Sc100 Pole Lmp 1 Lmp 2 Installation Manual User Guide

- Personalized Recommendations
 - Scanstrut Sc100 Pole Lmp 1 Lmp 2 Installation Manual User Guide User Reviews and Ratings
 - Scanstrut Sc100 Pole Lmp 1 Lmp 2 Installation Manual User Guide and Bestseller Lists
5. Accessing Scanstrut Sc100 Pole Lmp 1 Lmp 2 Installation Manual User Guide Free and Paid eBooks
 - Scanstrut Sc100 Pole Lmp 1 Lmp 2 Installation Manual User Guide Public Domain eBooks
 - Scanstrut Sc100 Pole Lmp 1 Lmp 2 Installation Manual User Guide eBook Subscription Services
 - Scanstrut Sc100 Pole Lmp 1 Lmp 2 Installation Manual User Guide Budget-Friendly Options
 6. Navigating Scanstrut Sc100 Pole Lmp 1 Lmp 2 Installation Manual User Guide eBook Formats
 - ePub, PDF, MOBI, and More
 - Scanstrut Sc100 Pole Lmp 1 Lmp 2 Installation Manual User Guide Compatibility with Devices
 - Scanstrut Sc100 Pole Lmp 1 Lmp 2 Installation Manual User Guide Enhanced eBook Features
 7. Enhancing Your Reading Experience
 - Adjustable Fonts and Text Sizes of Scanstrut Sc100 Pole Lmp 1 Lmp 2 Installation Manual User Guide
 - Highlighting and Note-Taking Scanstrut Sc100 Pole Lmp 1 Lmp 2 Installation Manual User Guide
 - Interactive Elements Scanstrut Sc100 Pole Lmp 1 Lmp 2 Installation Manual User Guide
 8. Staying Engaged with Scanstrut Sc100 Pole Lmp 1 Lmp 2 Installation Manual User Guide
 - Joining Online Reading Communities
 - Participating in Virtual Book Clubs
 - Following Authors and Publishers Scanstrut Sc100 Pole Lmp 1 Lmp 2 Installation Manual User Guide
 9. Balancing eBooks and Physical Books Scanstrut Sc100 Pole Lmp 1 Lmp 2 Installation Manual User Guide
 - Benefits of a Digital Library
 - Creating a Diverse Reading Collection Scanstrut Sc100 Pole Lmp 1 Lmp 2 Installation Manual User Guide
 10. Overcoming Reading Challenges
 - Dealing with Digital Eye Strain
 - Minimizing Distractions
 - Managing Screen Time
 11. Cultivating a Reading Routine Scanstrut Sc100 Pole Lmp 1 Lmp 2 Installation Manual User Guide
 - Setting Reading Goals Scanstrut Sc100 Pole Lmp 1 Lmp 2 Installation Manual User Guide
 - Carving Out Dedicated Reading Time
 12. Sourcing Reliable Information of Scanstrut Sc100 Pole Lmp 1 Lmp 2 Installation Manual User Guide

- Fact-Checking eBook Content of Scanstrut Sc100 Pole Lmp 1 Lmp 2 Installation Manual User Guide
 - Distinguishing Credible Sources
13. Promoting Lifelong Learning
- Utilizing eBooks for Skill Development
 - Exploring Educational eBooks
14. Embracing eBook Trends
- Integration of Multimedia Elements
 - Interactive and Gamified eBooks

Scanstrut Sc100 Pole Lmp 1 Lmp 2 Installation Manual User Guide Introduction

Free PDF Books and Manuals for Download: Unlocking Knowledge at Your Fingertips In today's fast-paced digital age, obtaining valuable knowledge has become easier than ever. Thanks to the internet, a vast array of books and manuals are now available for free download in PDF format. Whether you are a student, professional, or simply an avid reader, this treasure trove of downloadable resources offers a wealth of information, conveniently accessible anytime, anywhere. The advent of online libraries and platforms dedicated to sharing knowledge has revolutionized the way we consume information. No longer confined to physical libraries or bookstores, readers can now access an extensive collection of digital books and manuals with just a few clicks. These resources, available in PDF, Microsoft Word, and PowerPoint formats, cater to a wide range of interests, including literature, technology, science, history, and much more. One notable platform where you can explore and download free Scanstrut Sc100 Pole Lmp 1 Lmp 2 Installation Manual User Guide PDF books and manuals is the internet's largest free library. Hosted online, this catalog compiles a vast assortment of documents, making it a veritable goldmine of knowledge. With its easy-to-use website interface and customizable PDF generator, this platform offers a user-friendly experience, allowing individuals to effortlessly navigate and access the information they seek. The availability of free PDF books and manuals on this platform demonstrates its commitment to democratizing education and empowering individuals with the tools needed to succeed in their chosen fields. It allows anyone, regardless of their background or financial limitations, to expand their horizons and gain insights from experts in various disciplines. One of the most significant advantages of downloading PDF books and manuals lies in their portability. Unlike physical copies, digital books can be stored and carried on a single device, such as a tablet or smartphone, saving valuable space and weight. This convenience makes it possible for readers to have their entire library at their fingertips, whether they are commuting, traveling, or simply enjoying a lazy afternoon at home. Additionally, digital files are easily searchable, enabling readers to locate specific information within seconds. With a few keystrokes, users can search for keywords, topics, or phrases, making

research and finding relevant information a breeze. This efficiency saves time and effort, streamlining the learning process and allowing individuals to focus on extracting the information they need. Furthermore, the availability of free PDF books and manuals fosters a culture of continuous learning. By removing financial barriers, more people can access educational resources and pursue lifelong learning, contributing to personal growth and professional development. This democratization of knowledge promotes intellectual curiosity and empowers individuals to become lifelong learners, promoting progress and innovation in various fields. It is worth noting that while accessing free Scanstrut Sc100 Pole Lmp 1 Lmp 2 Installation Manual User Guide PDF books and manuals is convenient and cost-effective, it is vital to respect copyright laws and intellectual property rights. Platforms offering free downloads often operate within legal boundaries, ensuring that the materials they provide are either in the public domain or authorized for distribution. By adhering to copyright laws, users can enjoy the benefits of free access to knowledge while supporting the authors and publishers who make these resources available. In conclusion, the availability of Scanstrut Sc100 Pole Lmp 1 Lmp 2 Installation Manual User Guide free PDF books and manuals for download has revolutionized the way we access and consume knowledge. With just a few clicks, individuals can explore a vast collection of resources across different disciplines, all free of charge. This accessibility empowers individuals to become lifelong learners, contributing to personal growth, professional development, and the advancement of society as a whole. So why not unlock a world of knowledge today? Start exploring the vast sea of free PDF books and manuals waiting to be discovered right at your fingertips.

FAQs About Scanstrut Sc100 Pole Lmp 1 Lmp 2 Installation Manual User Guide Books

How do I know which eBook platform is the best for me? Finding the best eBook platform depends on your reading preferences and device compatibility. Research different platforms, read user reviews, and explore their features before making a choice. Are free eBooks of good quality? Yes, many reputable platforms offer high-quality free eBooks, including classics and public domain works. However, make sure to verify the source to ensure the eBook credibility. Can I read eBooks without an eReader? Absolutely! Most eBook platforms offer webbased readers or mobile apps that allow you to read eBooks on your computer, tablet, or smartphone. How do I avoid digital eye strain while reading eBooks? To prevent digital eye strain, take regular breaks, adjust the font size and background color, and ensure proper lighting while reading eBooks. What the advantage of interactive eBooks? Interactive eBooks incorporate multimedia elements, quizzes, and activities, enhancing the reader engagement and providing a more immersive learning experience. Scanstrut Sc100 Pole Lmp 1 Lmp 2 Installation Manual User Guide is one of the best book in our library for free trial. We provide copy of Scanstrut Sc100 Pole Lmp 1 Lmp 2 Installation Manual User Guide in digital format, so the resources that you find are reliable. There are also

many Ebooks of related with Scanstrut Sc100 Pole Lmp 1 Lmp 2 Installation Manual User Guide. Where to download Scanstrut Sc100 Pole Lmp 1 Lmp 2 Installation Manual User Guide online for free? Are you looking for Scanstrut Sc100 Pole Lmp 1 Lmp 2 Installation Manual User Guide PDF? This is definitely going to save you time and cash in something you should think about. If you trying to find then search around for online. Without a doubt there are numerous these available and many of them have the freedom. However without doubt you receive whatever you purchase. An alternate way to get ideas is always to check another Scanstrut Sc100 Pole Lmp 1 Lmp 2 Installation Manual User Guide. This method for see exactly what may be included and adopt these ideas to your book. This site will almost certainly help you save time and effort, money and stress. If you are looking for free books then you really should consider finding to assist you try this. Several of Scanstrut Sc100 Pole Lmp 1 Lmp 2 Installation Manual User Guide are for sale to free while some are payable. If you arent sure if the books you would like to download works with for usage along with your computer, it is possible to download free trials. The free guides make it easy for someone to free access online library for download books to your device. You can get free download on free trial for lots of books categories. Our library is the biggest of these that have literally hundreds of thousands of different products categories represented. You will also see that there are specific sites catered to different product types or categories, brands or niches related with Scanstrut Sc100 Pole Lmp 1 Lmp 2 Installation Manual User Guide. So depending on what exactly you are searching, you will be able to choose e books to suit your own need. Need to access completely for Campbell Biology Seventh Edition book? Access Ebook without any digging. And by having access to our ebook online or by storing it on your computer, you have convenient answers with Scanstrut Sc100 Pole Lmp 1 Lmp 2 Installation Manual User Guide To get started finding Scanstrut Sc100 Pole Lmp 1 Lmp 2 Installation Manual User Guide, you are right to find our website which has a comprehensive collection of books online. Our library is the biggest of these that have literally hundreds of thousands of different products represented. You will also see that there are specific sites catered to different categories or niches related with Scanstrut Sc100 Pole Lmp 1 Lmp 2 Installation Manual User Guide So depending on what exactly you are searching, you will be able to choose ebook to suit your own need. Thank you for reading Scanstrut Sc100 Pole Lmp 1 Lmp 2 Installation Manual User Guide. Maybe you have knowledge that, people have search numerous times for their favorite readings like this Scanstrut Sc100 Pole Lmp 1 Lmp 2 Installation Manual User Guide, but end up in harmful downloads. Rather than reading a good book with a cup of coffee in the afternoon, instead they juggled with some harmful bugs inside their laptop. Scanstrut Sc100 Pole Lmp 1 Lmp 2 Installation Manual User Guide is available in our book collection an online access to it is set as public so you can download it instantly. Our digital library spans in multiple locations, allowing you to get the most less latency time to download any of our books like this one. Merely said, Scanstrut Sc100 Pole Lmp 1 Lmp 2 Installation Manual User Guide is universally compatible with any devices to read.

Find Scanstrut Sc100 Pole Lmp 1 Lmp 2 Installation Manual User Guide :

repair panels auto body rust

replacement parts user manual for ford explorer

report card comments grade 4

repair manual for honda lawn mowers

repair manual leon

repair manual ktm 125

repair manual for polaris scrambler 50

repair manual matrix crdi 02

repair manual ford focus 2005

repair manual for mazda 626

repair manual sharp ar pb2a digital copier

repair manual mercedes benz class clk350

repair manual for polaris 700

repair manual for jeep compass

repair manual land rover discovery ii

Scanstrut Sc100 Pole Lmp 1 Lmp 2 Installation Manual User Guide :

il bene e il bello la via lattea pdf cyberlab sutd edu sg - Sep 14 2023

web il bene e il bello la via lattea i papi e la vergine studii vol 1 2 jun 03 2020 italian poetry 1950 1990 jul 29 2022 this anthology of the work of three generations of italian

il bene e il bello la via lattea pdf cyberlab sutd edu sg - Jul 12 2023

web il bene e il bello la via lattea c k realni i veliki gimnazij drugi godišnji program c k realnog i velikog gimnazija u kotoru za godinu školsku 1873 74 etc mar 03 2020

download solutions il bene e il bello la via lattea - Nov 04 2022

web il bene e il bello la via lattea i papi e la vergine studii vol 1 2 feb 18 2020 italians and food jan 31 2021 this book is a novel and original collection of essays on italians

bella pasta singapore singapore river riverside tripadvisor - Feb 24 2022

web nov 9 2020 217 reviews 835 of 10 001 restaurants in singapore italian pizza european 30 robertson quay village

residence robertson quay 01 09 riverside

adjectives what s the exact meaning of bella or bello when - Jan 06 2023

web aug 14 2015 as addressed by dag and alsa already bello bella used in an informal context is mostly used to express affection rather than to express a physical

il bene e il bello la via lattea copy uniport edu - Nov 23 2021

web sep 18 2023 il bene e il bello maurizio barracano 2009 12 01 la ricerca della bellezza è il primo motore dell esistenza umana secondo varie ottave questo libro tratta della

il bene e il bello la via lattea uniport edu - Jan 26 2022

web jun 17 2023 il bene e il bello maurizio barracano 2009 12 01 la ricerca della bellezza il primo motore dell esistenza umana secondo varie ottave questo libro tratta della

il bene e il bello la via lattea italian edition kindle edition - Aug 13 2023

web dec 1 2009 buy il bene e il bello la via lattea italian edition read kindle store reviews amazon com

il volo beautiful that way la vita È bella lyrics azlyrics com - Dec 25 2021

web il volo lyrics beautiful that way la vita È bella smile without a reason why love as if you were a child smile no matter what they tell you don t listen to a word they say cause life is beautiful that way tears a tidal wave of tears light that slowly disappears

il bene e il bello la via lattea italian edition kindle edition - Feb 07 2023

web il bene e il bello la via lattea italian edition ebook maurizio barracano amazon co uk books

il bene e il bello la via lattea roberto frecentese - Jun 11 2023

web il bene e il bello maurizio barracano 2009 12 01 la ricerca della bellezza è il primo motore dell esistenza umana secondo varie ottave questo libro tratta della bellezza

pdf il bene e il bello la via lattea cyberlab sutd edu sg - Oct 15 2023

web la via lattea e il centro galattico in astrologia nel tema natale e in astrologia mondiale feb 28 2023 gli influssi provenienti dalla galassia

a quick guide to the meaning of ciao bella ilovelanguages - Apr 28 2022

web nov 21 2021 ciao bella means hello or goodbye to a single woman in chinese bello is both an adjective and a noun and it denotes a person with a high level of beauty a

il bene e il bello la via lattea uniport edu - Mar 28 2022

web il bene e il bello maurizio barracano 2009 12 01 la ricerca della bellezza è il primo motore dell esistenza umana secondo varie ottave questo libro tratta della bellezza

il bene e il bello la via lattea leopoldo ciolli download only - Aug 01 2022

web il bene e il bello la via lattea right here we have countless books il bene e il bello la via lattea and collections to check out we additionally present variant types and also

il bene e il bello la via lattea vincenza lorusso - Oct 03 2022

web ultimi della terra il sogno diventa realtà e la giovane studentessa di medicina parte senza temere ostacoli carica di una passione e una dedizione così forti che nemmeno un

il volo beautiful that way la vita È bella lyrics lyrics com - May 30 2022

web beautiful that way la vita È bella lyrics by il volo from the grande amore international version album including song video artist biography translations and more smile

il bene e il bello la via lattea pdf cyberlab sutd edu sg - May 10 2023

web medieval and early modern eras through to the mid victorian period by viewing animals as authentic and autonomous historical agents who had a real impact on the world around

il bene e il bello la via lattea formato kindle amazon it - Apr 09 2023

web il bene e il bello la via lattea ebook maurizio barracano amazon it libri passa al contenuto principale it ciao scegli il tuo indirizzo kindle store seleziona la categoria in

il bene e il bello la via lattea francesco pona pdf - Jun 30 2022

web un libro spaccato in due fra il mistero e la verità il sacro ed il profano la libertà e la costrizione che rende schiavi un urlo che vuole scuotere le coscienze un racconto

ciao bella meaning translations by dictionary com - Dec 05 2022

web apr 17 2018 taken together ciao bella is a colloquial familiar way of saying hello or goodbye to one woman as opposed to a group the masculine version of the

il bene e il bello la via lattea copy renewalcc - Sep 02 2022

web il bene e il bello la via lattea 1 il bene e il bello la via lattea la critica manuale della letteratura italiana nel secolo decimonono atti e memorie della r accademia petrarca di

il bene e il bello la via lattea dante alighieri copy - Mar 08 2023

web il bene e il bello maurizio barracano 2008 il bene e il bello maurizio barracano 2009 12 01 la ricerca della bellezza è il primo motore dell'esistenza umana secondo varie

mpumalanga department prelim physical science grade12 2013 - Jan 26 2023

web apr 1 2023 mpumalanga department prelim physical science grade12 2013 1 6 downloaded from uniport edu ng on april 1 2023 by guest mpumalanga department prelim physical science grade12 2013 this is likewise one of the factors by

obtaining the soft documents of this mpumalanga department prelim physical science grade12

physical sciences p1 june 2021 eng mpumalanga pdf - Sep 21 2022

web nov 28 2022 physical sciences p1 june 2021 eng mpumalanga pdf this is a grade 12 physical sciences matric past exam paper in english to download this physical sciences p1 june 2021 eng mpumalanga pdf for free click below scroll to the bottom of the page and find the matric pdf download links

mpumalanga department prelim physical science grade12 2013 - Feb 12 2022

web transformation is truly remarkable this extraordinary book aptly titled mpumalanga department prelim physical science grade12 2013 compiled by a very acclaimed author immerses readers in a captivating exploration of the significance of language and its profound effect on our existence

mpumalanga department prelim physical science grade12 2013 - Jun 30 2023

web may 28th 2018 life science p1 gauteng trail 2015 memo gauteng department prelim physical science grade12 2015 paper2 mpumalanga memo physical science november 2008 gauteng tvl parisbytrain com 2 9

physical science grade 12 sa papers - May 30 2023

web physical science government grade 12 past papers access the largest collection of past exam papers for grade 12 2023 caps the memos and exam papers are available in afrikaans and english access a comprehensive collection of grade 12 past papers and resources for the south african national senior certificate nsc exams in 51 subjects

mpumalanga department prelim physical science grade12 2013 - Nov 23 2022

web mpumalanga department prelim physical science grade12 2013 science communication in south africa spring meeting the dry forests and woodlands of africa research and the teacher pheasants partridges grouse towards sustainable management based on scientific understanding of forests and woodlands mentoring

memorandum of physical sciences mpumalanga june 2013 pdf - Feb 24 2023

web mpumalanga june 2013 limpopo grade 12 question papers and memorandum bing mpumalanga department prelim physical science grade12 web western cape government download mpumalanga prelim memo 2014 physical science p1 physical sciences mpumalanga prelim paper1 memo 2013 trial exams

mpumalanga department prelim physical science grade12 2013 - Aug 01 2023

web mpumalanga department prelim physical science grade12 2013 1 5 downloaded from uniport edu ng on july 2 2023 by guest mpumalanga department prelim physical science grade12 2013 recognizing the mannerism ways to get this books mpumalanga department prelim physical science grade12 2013 is additionally useful

mpumalanga department of education - Mar 16 2022

web statement on the state of readiness on the management of the grade 12 national senior certificate examination the

mpumalanga department of education has pulled all stops to ensure that the 2023 grade 12 national senior certificate examinations progress without any glitches these examinations will commence in full swing on monday 30 october

mpumalanga department prelim physical science grade12 2013 - Jun 18 2022

web mpumalanga department prelim physical science grade12 2013 a preliminary exploration of physical therapy practice in the emergency department jul 17 2021 preliminary handbook of the department of geology of the u s national museum dec 22 2021 preliminary inventory of the records of the united states military academy oct 20

physical sciences grade 12 past exam papers and memos - Oct 03 2023

web welcome to the grade 12 physical sciences physics past exam paper page we have a vast collection of caps dbc nsc and common test papers from national western cape wc kwa zulu natal kzn gauteng gp eastern cape ec mpumalanga mp north west nw and free state fs physical sciences

mpumalanga department prelim physical science grade12 2013 - Oct 23 2022

web may 13 2023 mpumalanga department prelim physical science grade12 2013 1 6 downloaded from uniport edu ng on may 13 2023 by guest mpumalanga department prelim physical science grade12 2013 when somebody should go to the ebook stores search foundation by shop shelf by shelf it is really problematic this is why we give the *mpumalanga department prelim physical science grade12 2013* - Mar 28 2023

web mar 1 2023 mpumalanga department prelim physical science grade12 2013 2 8 downloaded from uniport edu ng on march 1 2023 by guest you with dread if you think that pedagogic innovation is impossible in the face of burgeoning student numbers or if you simply wish to understand more about the dynamics of this increasingly common

mpumalanga department prelim physical science grade12 2013 - Apr 28 2023

web june 11th 2018 chemistry grade 12 2014 prelim grade 11 physical science p1 november 2013 memo life science for nokia asha 210 j4 careers mpumalanga department of education tvl parisbytrain com 2 5 *mpumalanga department prelim physical science grade12 2013* - Jul 20 2022

web apr 13 2023 mpumalanga department prelim physical science grade12 2013 1 6 downloaded from uniport edu ng on april 13 2023 by guest mpumalanga department prelim physical science grade12 2013 when people should go to the book stores search creation by shop shelf by shelf it is in reality problematic this is why we present the mpumalanga department prelim physical science grade12 2013 - Apr 16 2022

web jan 5 2023 as this mpumalanga department prelim physical science grade12 2013 it ends taking place living thing one of the favored book mpumalanga department prelim physical science grade12 2013 collections that we have this is why you remain in the best website to see the unbelievable ebook to have

free mpumalanga department prelim physical science grade12 2013 - May 18 2022

web mpumalanga department prelim physical science grade12 2013 below the origin of humankind richard leakey 2008 08 05 the name leakey is synonymous with the study of human origins wrote the new york times the renowned family of paleontologists louis leakey mary leakey and their son richard leakey has vastly
[physical sciences break 1 0 grade 10 11 12 revision exercises](#) - Dec 25 2022

web physical sciences p1 question 2 start on a new page mde september 2020 nsc block a of mass 2 kg is placed against block b of mass 4 kg on a rough horizontal surface the following table supplies the frictional forces that are experienced on each block maximum static frictional force $f_s \text{ max } 5.88 \text{ n}$ 11.76 n kinetic frictional
[physical science exam papers and study material for grade 12](#) - Sep 02 2023

web june 2017 eastern cape gr12 phsc p1 jun2017 qp eastern cape p2 qp gr12 june 2017 physical sciences p1 memo a e physical sciences p2 memo exam papers grade 12 physical science the latest papers with memoranda are available for downloading to improve your understanding

national senior certificate physical sciences break 1 0 - Aug 21 2022

web physical sciences p1 fisiese wetenskappe v1 7 mde mdo september 2020 nsc nss copyright reserved kopiereg voorbehou please turn over blaaiblaai om question 5 vraag 5

fluency through tpr storytelling achieving real language - Jul 06 2023

web the keys to fluency in the language classroom tprs essential concepts and practices the three steps of tprs developing a mini story through questioning storytelling in the first year the second year the third and fourth years tprs teaching skills how to maintain high interest and an optimal pace reading improved

tpr storytelling wikipedia - Sep 27 2022

web tpr storytelling teaching proficiency through reading and storytelling or tprs is a method of teaching foreign languages tprs lessons use a mixture of reading and storytelling to help students learn a foreign language in a classroom setting

fluency through tpr storytelling by blaine ray open library - Jul 26 2022

web fluency through tpr storytelling by blaine ray october 1998 command performance language institute edition paperback in english

fluency through tpr storytelling 8th edition blaine ray tprs - Sep 08 2023

web fluency through tpr storytelling 8th and latest edition 25 00 add to cart the manual of tpr storytelling 8th edition contains thorough explanations of and rationale for teaching with tprs and much more a must for anybody wanting to learn about tprs in greater detail isbn 978 0 929724 21 8

[pdf research on tpr storytelling 2015](#) - Apr 03 2023

web jan 1 2015 research on tpr storytelling 2015 authors karen lichtman northern illinois university abstract in the last five

years there has been an explosion of research

fluency through tpr storytelling 8th and latest edition - Aug 07 2023

web fluency through tpr storytelling tprs guides teachers of all levels through a practical way of teaching foreign languages the authors build on the ideas of james ashers tpr total physical response method which promotes the method of teaching a foreign language through actions

fluency through tpr storytelling achieving real language - Jun 24 2022

web jan 1 2002 fluency thru tpr storytelling achieving real language acquisition in school 4th edition 33 94 1 in stock fluency through tpr achieving real language acquisition in school 7th edition by blaine ray and contee seely the definitive treatment of tpr storytelling by the originator and by a longtime tpr teacher author

fluency through tpr storytelling google books - Oct 29 2022

web fluency through tpr storytelling achieving real language acquisition in school fluency through tpr storytelling blaine ray commancy performance 2016

fluency through tpr storytelling amazon com - Jun 05 2023

web aug 1 1997 fluency through tpr storytelling achieving real language acquisition in school 7th edition by blaine ray and contee seely the definitive treatment of tpr storytelling by the originator and by a longtime tpr teacher author

fluency through tpr storytelling achieving real language - Aug 27 2022

web fluency through tpr storytelling tprs achieving real language acquisition in school 8th edition published july 2019 by blaine ray the originator of tprs and contee seely the essential book for ci tprs teachers or any teachers who want their students to become fluent in the target language ci comprehensible input the

fluency through tpr storytelling gitlab - May 24 2022

web summary very few students in foreign second language schools actually complete their studies speaking their new language fluently tpr total physical response students can this thorough book shows you how to being your students to fluency detailing student teacher participation at each level

pdf research on tpr storytelling 2019 - Oct 09 2023

web jul 11 2019 research on tpr storytelling 2019 authors karen lichtman northern illinois university abstract and figures in the last ten years there has been an explosion of research on teaching

fluency thru tpr storytelling achieving real language - Mar 22 2022

web jan 1 2005 not in a club learn more see this image follow the author contee seely fluency thru tpr storytelling achieving real language acquisition in school 4th edition paperback january 1 2005 by blaine ray author contee seely author 1 rating see all formats and editions paperback 40 35 2 used from 29 95 1 new from 31 95

[fluency through tpr storytelling google books](#) - May 04 2023

web fluency through tpr storytelling achieving real language acquisition in school blaine ray contee seely command performance language institute 1998 fluency language learning 220 pages

fluency through tpr storytelling tprs new 8th edition - Nov 29 2022

web the definitive treatment of tprs teaching proficiency through reading and storytelling this book will show you how to help your students actually become proficient in the language you are teaching to understand speech and writing to speak and to write isbn 978 0 929724 21 81 3 00 out of 5

fluency through tpr storytelling repository dl bitbucket io - Feb 18 2022

web summary very few students in foreign second language schools actually complete their studies speaking their new language fluently tpr total physical response students can this thorough book shows you how to bring your students to fluency detailing student teacher participation at each level

fluency through tpr storytelling contee seely blaine ray - Dec 31 2022

web fluency through tpr storytelling achieving real language acquisition in school 7th edition by blaine ray and contee seely the definitive treatment of tpr storytelling by the originator and by a longtime tpr teacher author

what is tprs tpr storytelling program fluency fast - Apr 22 2022

web fluency fast language classes is the only national program we know of that uses tprs to teach languages to adults in 4 days tpr storytelling is a method for teaching foreign languages that was invented by blaine ray a spanish teacher in bakersfield california in

fluency through tpr storytelling by contee seely goodreads - Mar 02 2023

web aug 1 1997 fluency through tpr storytelling contee seely blaine ray 4 31 84 ratings 7 reviews fluency through tpr achieving real language acquisition in school 7th edition by blaine ray and contee seely the definitive treatment of tpr storytelling by the originator and by a longtime tpr teacher author

fluency through tpr storytelling worldcat org - Feb 01 2023

web fluency through tpr storytelling achieving real language acquisition in school authors blaine ray contee seely blaine ray workshops command performance language institute summary even now early in the 21st century foreign and second language programs in schools in north america and most of the world produce very few students