

ENGINE MECHANICAL - EM

ZD30DDTi Intake Manifold

The Intake Manifold as shown right is mounted on the RH side of the Cylinder Head.

An electrically operated Air Intake Control Valve is utilised & the Swirl Valves have been incorporated inside the intake manifold.

Electric Throttle Control Actuator;

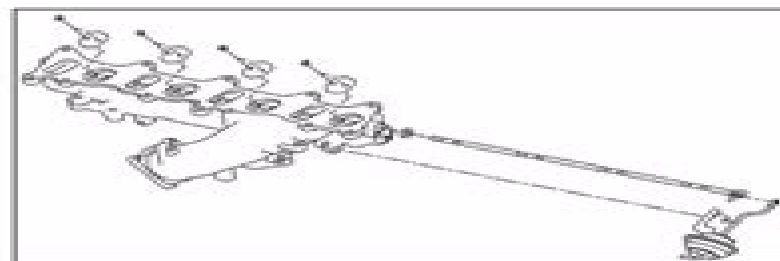
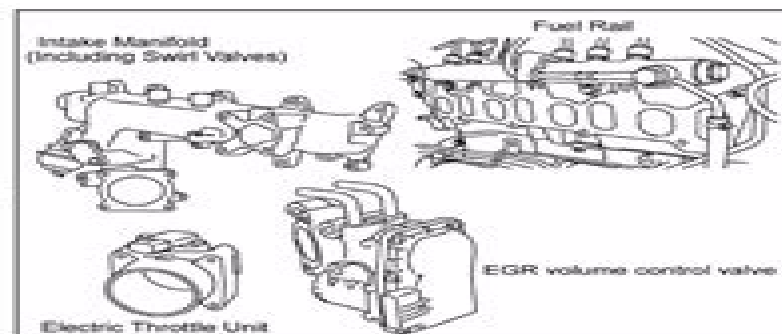
On the previous ZD engine as well as the non DPF YD25 engine, the Air Intake Control valve was vacuum controlled. Now on the new ZD30 CRD engine, the valve has the same purpose as previous, however it is electrically operated. Its operation is very much the same as a ETC unit found on many petrol engines.

The Throttle valve is fully opened when the engine is running. The valve is closed only to perform smooth engine stop when the ignition switch is turned OFF. A feedback sensor (Throttle Position Sensor – TPS) is also installed to ensure the ECM can detect the throttle plates position.

(Vacuum operated) Swirl Valves;

The swirl control valve is installed inside the manifold assembly. While idling and during low engine speed operation, the swirl control valve closes, thus the velocity of the air in the intake passage increases to produce a swirl (rush of air to promote cleaner burning when the fuel is injected into the air) into the combustion chamber. Once the engine speed increases to a certain speed, the valves open to allow more air to enter the engine.

Further information regarding the components shown right can be found in section EM & EC of the Service Manual.

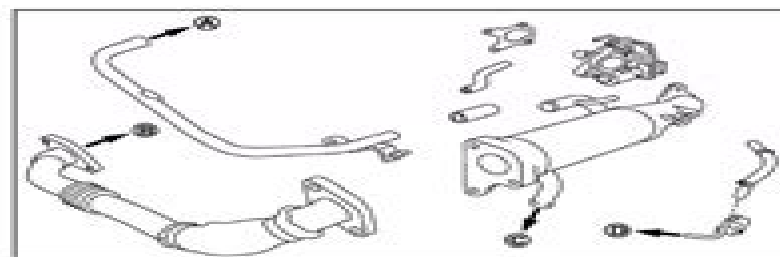


ZD30DDTi Exhaust Gas Recirculation (EGR) System

Major changes have occurred with the EGR system on the new ZD30 CRD engine.

The EGR volume control valve continues to be electrically controlled by the ECM, however it has a throttle valve arrangement & works in a similar way to an ETC unit found on current petrol engines.

The Pipe linking the exhaust manifold to the EGR control valve assembly is also water cooled as it is on R51 / D40 YD25 A/T models.



Further information regarding the components shown right can be found in section EM & EC of the Service Manual.

Nissan Zd30 Workshop Manual Yd25

A. K. Legg, Spencer Drayton



Nissan Zd30 Workshop Manual Yd25:

This is likewise one of the factors by obtaining the soft documents of this **Nissan Zd30 Workshop Manual Yd25** by online. You might not require more get older to spend to go to the ebook start as well as search for them. In some cases, you likewise realize not discover the declaration Nissan Zd30 Workshop Manual Yd25 that you are looking for. It will categorically squander the time.

However below, in the manner of you visit this web page, it will be therefore utterly simple to acquire as competently as download guide Nissan Zd30 Workshop Manual Yd25

It will not tolerate many times as we notify before. You can reach it even if deed something else at home and even in your workplace. thus easy! So, are you question? Just exercise just what we give below as skillfully as evaluation **Nissan Zd30 Workshop Manual Yd25** what you behind to read!

<https://crm.avenza.com/public/browse/Documents/on%20line%20owners%20manual%20for%20buick%20lucerne.pdf>

Table of Contents Nissan Zd30 Workshop Manual Yd25

1. Understanding the eBook Nissan Zd30 Workshop Manual Yd25
 - The Rise of Digital Reading Nissan Zd30 Workshop Manual Yd25
 - Advantages of eBooks Over Traditional Books
2. Identifying Nissan Zd30 Workshop Manual Yd25
 - Exploring Different Genres
 - Considering Fiction vs. Non-Fiction
 - Determining Your Reading Goals
3. Choosing the Right eBook Platform
 - Popular eBook Platforms
 - Features to Look for in an Nissan Zd30 Workshop Manual Yd25
 - User-Friendly Interface
4. Exploring eBook Recommendations from Nissan Zd30 Workshop Manual Yd25

- Personalized Recommendations
 - Nissan Zd30 Workshop Manual Yd25 User Reviews and Ratings
 - Nissan Zd30 Workshop Manual Yd25 and Bestseller Lists
5. Accessing Nissan Zd30 Workshop Manual Yd25 Free and Paid eBooks
 - Nissan Zd30 Workshop Manual Yd25 Public Domain eBooks
 - Nissan Zd30 Workshop Manual Yd25 eBook Subscription Services
 - Nissan Zd30 Workshop Manual Yd25 Budget-Friendly Options
 6. Navigating Nissan Zd30 Workshop Manual Yd25 eBook Formats
 - ePub, PDF, MOBI, and More
 - Nissan Zd30 Workshop Manual Yd25 Compatibility with Devices
 - Nissan Zd30 Workshop Manual Yd25 Enhanced eBook Features
 7. Enhancing Your Reading Experience
 - Adjustable Fonts and Text Sizes of Nissan Zd30 Workshop Manual Yd25
 - Highlighting and Note-Taking Nissan Zd30 Workshop Manual Yd25
 - Interactive Elements Nissan Zd30 Workshop Manual Yd25
 8. Staying Engaged with Nissan Zd30 Workshop Manual Yd25
 - Joining Online Reading Communities
 - Participating in Virtual Book Clubs
 - Following Authors and Publishers Nissan Zd30 Workshop Manual Yd25
 9. Balancing eBooks and Physical Books Nissan Zd30 Workshop Manual Yd25
 - Benefits of a Digital Library
 - Creating a Diverse Reading Collection Nissan Zd30 Workshop Manual Yd25
 10. Overcoming Reading Challenges
 - Dealing with Digital Eye Strain
 - Minimizing Distractions
 - Managing Screen Time
 11. Cultivating a Reading Routine Nissan Zd30 Workshop Manual Yd25
 - Setting Reading Goals Nissan Zd30 Workshop Manual Yd25
 - Carving Out Dedicated Reading Time
 12. Sourcing Reliable Information of Nissan Zd30 Workshop Manual Yd25

- Fact-Checking eBook Content of Nissan Zd30 Workshop Manual Yd25
 - Distinguishing Credible Sources
13. Promoting Lifelong Learning
- Utilizing eBooks for Skill Development
 - Exploring Educational eBooks
14. Embracing eBook Trends
- Integration of Multimedia Elements
 - Interactive and Gamified eBooks

Nissan Zd30 Workshop Manual Yd25 Introduction

In this digital age, the convenience of accessing information at our fingertips has become a necessity. Whether its research papers, eBooks, or user manuals, PDF files have become the preferred format for sharing and reading documents. However, the cost associated with purchasing PDF files can sometimes be a barrier for many individuals and organizations. Thankfully, there are numerous websites and platforms that allow users to download free PDF files legally. In this article, we will explore some of the best platforms to download free PDFs. One of the most popular platforms to download free PDF files is Project Gutenberg. This online library offers over 60,000 free eBooks that are in the public domain. From classic literature to historical documents, Project Gutenberg provides a wide range of PDF files that can be downloaded and enjoyed on various devices. The website is user-friendly and allows users to search for specific titles or browse through different categories. Another reliable platform for downloading Nissan Zd30 Workshop Manual Yd25 free PDF files is Open Library. With its vast collection of over 1 million eBooks, Open Library has something for every reader. The website offers a seamless experience by providing options to borrow or download PDF files. Users simply need to create a free account to access this treasure trove of knowledge. Open Library also allows users to contribute by uploading and sharing their own PDF files, making it a collaborative platform for book enthusiasts. For those interested in academic resources, there are websites dedicated to providing free PDFs of research papers and scientific articles. One such website is Academia.edu, which allows researchers and scholars to share their work with a global audience. Users can download PDF files of research papers, theses, and dissertations covering a wide range of subjects. Academia.edu also provides a platform for discussions and networking within the academic community. When it comes to downloading Nissan Zd30 Workshop Manual Yd25 free PDF files of magazines, brochures, and catalogs, Issuu is a popular choice. This digital publishing platform hosts a vast collection of publications from around the world. Users can search for specific titles or explore various categories and genres. Issuu offers a seamless reading experience with its user-friendly interface and allows users to download PDF files for offline reading. Apart from

dedicated platforms, search engines also play a crucial role in finding free PDF files. Google, for instance, has an advanced search feature that allows users to filter results by file type. By specifying the file type as "PDF," users can find websites that offer free PDF downloads on a specific topic. While downloading Nissan Zd30 Workshop Manual Yd25 free PDF files is convenient, its important to note that copyright laws must be respected. Always ensure that the PDF files you download are legally available for free. Many authors and publishers voluntarily provide free PDF versions of their work, but its essential to be cautious and verify the authenticity of the source before downloading Nissan Zd30 Workshop Manual Yd25. In conclusion, the internet offers numerous platforms and websites that allow users to download free PDF files legally. Whether its classic literature, research papers, or magazines, there is something for everyone. The platforms mentioned in this article, such as Project Gutenberg, Open Library, Academia.edu, and Issuu, provide access to a vast collection of PDF files. However, users should always be cautious and verify the legality of the source before downloading Nissan Zd30 Workshop Manual Yd25 any PDF files. With these platforms, the world of PDF downloads is just a click away.

FAQs About Nissan Zd30 Workshop Manual Yd25 Books

How do I know which eBook platform is the best for me? Finding the best eBook platform depends on your reading preferences and device compatibility. Research different platforms, read user reviews, and explore their features before making a choice. Are free eBooks of good quality? Yes, many reputable platforms offer high-quality free eBooks, including classics and public domain works. However, make sure to verify the source to ensure the eBook credibility. Can I read eBooks without an eReader? Absolutely! Most eBook platforms offer webbased readers or mobile apps that allow you to read eBooks on your computer, tablet, or smartphone. How do I avoid digital eye strain while reading eBooks? To prevent digital eye strain, take regular breaks, adjust the font size and background color, and ensure proper lighting while reading eBooks. What the advantage of interactive eBooks? Interactive eBooks incorporate multimedia elements, quizzes, and activities, enhancing the reader engagement and providing a more immersive learning experience. Nissan Zd30 Workshop Manual Yd25 is one of the best book in our library for free trial. We provide copy of Nissan Zd30 Workshop Manual Yd25 in digital format, so the resources that you find are reliable. There are also many Ebooks of related with Nissan Zd30 Workshop Manual Yd25. Where to download Nissan Zd30 Workshop Manual Yd25 online for free? Are you looking for Nissan Zd30 Workshop Manual Yd25 PDF? This is definitely going to save you time and cash in something you should think about. If you trying to find then search around for online. Without a doubt there are numerous these available and many of them have the freedom. However without doubt you receive whatever you purchase. An alternate way to get ideas is always to check another Nissan Zd30 Workshop Manual Yd25. This method for see exactly what may be included and adopt these ideas to

your book. This site will almost certainly help you save time and effort, money and stress. If you are looking for free books then you really should consider finding to assist you try this. Several of Nissan Zd30 Workshop Manual Yd25 are for sale to free while some are payable. If you arent sure if the books you would like to download works with for usage along with your computer, it is possible to download free trials. The free guides make it easy for someone to free access online library for download books to your device. You can get free download on free trial for lots of books categories. Our library is the biggest of these that have literally hundreds of thousands of different products categories represented. You will also see that there are specific sites catered to different product types or categories, brands or niches related with Nissan Zd30 Workshop Manual Yd25. So depending on what exactly you are searching, you will be able to choose e books to suit your own need. Need to access completely for Campbell Biology Seventh Edition book? Access Ebook without any digging. And by having access to our ebook online or by storing it on your computer, you have convenient answers with Nissan Zd30 Workshop Manual Yd25 To get started finding Nissan Zd30 Workshop Manual Yd25, you are right to find our website which has a comprehensive collection of books online. Our library is the biggest of these that have literally hundreds of thousands of different products represented. You will also see that there are specific sites catered to different categories or niches related with Nissan Zd30 Workshop Manual Yd25 So depending on what exactly you are searching, you will be able to choose ebook to suit your own need. Thank you for reading Nissan Zd30 Workshop Manual Yd25. Maybe you have knowledge that, people have search numerous times for their favorite readings like this Nissan Zd30 Workshop Manual Yd25, but end up in harmful downloads. Rather than reading a good book with a cup of coffee in the afternoon, instead they juggled with some harmful bugs inside their laptop. Nissan Zd30 Workshop Manual Yd25 is available in our book collection an online access to it is set as public so you can download it instantly. Our digital library spans in multiple locations, allowing you to get the most less latency time to download any of our books like this one. Merely said, Nissan Zd30 Workshop Manual Yd25 is universally compatible with any devices to read.

Find Nissan Zd30 Workshop Manual Yd25 :

~~on line owners manual for buick lucerne~~

~~omc stringer repair manual~~

onan 400genset manual

~~onan parts manual p216g~~

omc 190 service manual

~~one harte two loves cass nick series book 3~~

~~one piece vol 73 operation dressrosa s o p~~

onan 40 rv genset manual

one printer manual

on line emergency response guide

oneology book i english edition

one wild wedding night

onan rs 20150 service manual

~~on growth and form darcy wentworth thompson~~

ongezongen liedjes dutch edition

Nissan Zd30 Workshop Manual Yd25 :

carpenter huffman visualizing psychology 3rd edition - Feb 27 2022

web visualizing psychology 3rd edition home browse by chapter browse by chapter browse by resource browse by resource
more information more information title home on wiley com how to use this site table of contents chapter 3 stress and health
psychology web resources application quizzes

visualizing psychology 3rd edition textbook solutions chegg - Jan 29 2022

web unlike static pdf visualizing psychology 3rd edition solution manuals or printed answer keys our experts show you how to
solve each problem step by step no need to wait for office hours or assignments to be graded to find out where you took a
wrong turn you can check your reasoning as you tackle a problem using our interactive solutions viewer

visualizing psychology 3rd edition google books - May 13 2023

web dec 13 2012 visualizing psychology 3rd edition visualizing psychology third edition helps students examine their own
personal studying and learning styles with several new pedagogical aids encouraging students to apply what they are
learning to their everyday lives while offering ongoing study tips and psychological techniques for

wiley visualizing psychology 3rd edition 978 1 119 62519 3 - Apr 12 2023

web visualizing psychology third edition helps students examine their own personal studying and learning styles with several
new pedagogical aids encouraging students to apply what they are learning to their everyday lives while offering ongoing
study tips and psychological techniques for mastering the material

visualizing psychology 3rd edition wiley - Aug 16 2023

web description visualizing psychology 3rd edition helps students examine their own personal studying and learning styles
with several new pedagogical aids encouraging students to apply what they are learning to their everyday lives while offering
ongoing study tips and psychological techniques for mastering the material

[visualizing psychology siri carpenter karen r huffman](#) - Jul 15 2023

web dec 26 2012 visualizing psychology siri carpenter karen r huffman john wiley sons dec 26 2012 science 544 pages
visualizing psychology 3rd edition helps students examine their own personal

visualizing psychology 3rd edition 3rd edition kindle edition - Sep 05 2022

web jan 1 2013 visualizing psychology 3rd edition kindle edition by carpenter siri download it once and read it on your
kindle device pc phones or tablets use features like bookmarks note taking and highlighting while reading visualizing
psychology 3rd

[pdf visualizing psychology by siri carpenter perlego](#) - Nov 07 2022

web about this book visualizing psychology third edition helps students examine their own personal studying and learning
styles with several new pedagogical aids encouraging students to apply what they are learning to their everyday lives while
offering ongoing study tips and psychological techniques for mastering the material

visualizing psychology 3rd edition google play - Mar 11 2023

web visualizing psychology 3rd edition ebook written by siri carpenter karen huffman read this book using google play books
app on your pc android ios devices download for offline reading

visualizing psychology 3rd third edition by carpenter siri - Dec 08 2022

web jan 1 1994 visualizing psychology siri carpenter 209 ring bound 31 offers from 49 74 product details asin b00a087xgq
publisher wiley 27793rd edition january 1 1994 item weight 0 01 ounces best sellers rank 2 604 248 in books see top 100 in
books

carpenter huffman visualizing psychology 3rd edition wiley - Mar 31 2022

web visualizing psychology 3rd edition home browse by chapter browse by chapter browse by resource browse by resource
more information more information title home on wiley com how to use this site table of contents table of contents chapter 1
introduction and research methods application quizzes

carpenter huffman visualizing psychology 3rd edition wiley - Feb 10 2023

web welcome to the web site for visualizing psychology 3rd edition by siri carpenter karen huffman this web site gives you
access to the rich tools and resources available for this text you can access these resources in two ways using the

[visualizing psychology third edition wileyplus](#) - Jul 03 2022

web visualizing psychology third edition helps students examine their own personal studying and learning styles with several
new pedagogical aids encouraging them to apply what they are learning to their everyday lives while offering ongoing study
tips and psychological techniques for mastering the material most importantly students are

visualizing psychology 3rd edition vitalsource - Aug 04 2022

web visualizing psychology 3rd edition is written by siri carpenter and published by wiley the digital and etextbook isbns for visualizing psychology are 9781118547595 1118547594 and the print isbns are 9781118388068 1118388062 save up to 80 versus print by going digital with vitalsource

visualizing psychology siri carpenter karen huffman google - Jun 02 2022

web oct 12 2009 siri carpenter karen huffman john wiley sons oct 12 2009 science 544 pages 1 review reviews aren t verified but google checks for and removes fake content when it s identified the second edition enables psychologists to gain a better understanding of what is unique and intriguing about this area of study

visualizing psychology carpenter siri free download borrow - Jan 09 2023

web visualizing psychology by carpenter siri publication date 2008 topics psychology textbooks publisher new york wiley in collaboration with the national geographic society

visualizing psychology 3rd edition textbooks com - Dec 28 2021

web this book helps examine personal studying and learning styles with several new pedagogical aids encouraging readers to apply what they are learning to their

visualizing psychology edition 3 barnes noble - May 01 2022

web dec 26 2012 overview visualizing psychology 3rd edition helps students examine their own personal studying and learning styles with several new pedagogical aids encouraging students to apply what they are learning to their everyday lives while offering ongoing study tips and psychological techniques for mastering the material

visualizing psychology 3rd edition amazon com - Jun 14 2023

web dec 26 2012 visualizing psychology 3rd edition helps students examine their own personal studying and learning styles with several new pedagogical aids encouraging students to apply what they are learning to their everyday lives while offering ongoing study tips and psychological techniques for mastering the material

isbn 9781118388068 visualizing psychology 3rd edition direct - Oct 06 2022

web visualizing psychology 3rd author s karen huffman siri carpenter published 2012 publisher john wiley sons format paperback 544 pages isbn 978 1 118 38806 8

100 common english verbs espresso english - Mar 11 2023

web here s a list of 100 common verbs in english they re used very frequently so make sure you know all of these english verbs for even more verb examples check out 229 common english verbs with examples and english verb types you can also read our post to learn irregular verbs in english easily free download 500 english phrases

229 common english verbs with examples prepscholar - Jun 14 2023

web what is a verb a verb is a word used to describe an action state or occurrence and forming the main part of a predicate

of a sentence remember a predicate is the part of a sentence or clause containing a verb that says something about the subject all sentences must have a verb though a sentence doesn't have to have all eight parts of speech

69 most common english verbs list with their meaning - Oct 06 2022

web sep 18 2022 a verb is a type of word that describes an action or a state of being like wiggle walk run jump be do have or think this is a list of the 69 most common verbs in english if you are learning english it would be useful to learn these popular verbs first looking for more ways to incorporate similar kind of words into your study

verbs learnenglish - Jan 09 2023

web read clear grammar explanations and example sentences to help you understand how verbs are used then put your grammar knowledge into practice by doing the exercises choose a topic and start improving your english grammar today

104 power verbs vocabulary list vocabulary com - Dec 28 2021

web feb 2 2007 oppose as in hostility or a competition connect fasten or put together two or more pieces conquer take possession of by force as after an invasion convert change the nature purpose or function of something create bring into existence

verb vocabulary vocabulary englishclub - Nov 07 2022

web verb vocabulary regular verbs formation of regular verbs with ed work worked worked regular verbs list list of 600 common regular verbs add borrow continue want irregular verbs formation of irregular verbs sing sang sung buy bought bought irregular verbs list list of 90 common irregular verbs blow forget understand 200

table of irregular verbs grammar cambridge dictionary - Mar 31 2022

web grammar verbs table of irregular verbs from english grammar today note that be has several irregular forms present i am she he it is you we they are past i she he it was you we they were ed form been base form

100 most common verbs in english with interesting meanings - May 01 2022

web jul 12 2023 here is a list of common verbs in english with their meanings and examples list of common verbs do say go make know get give find think tell become show leave feel put bring begin keep hold write stand hear let mean set meet pay

500 verbs forms list a to z in english englishan - Jul 03 2022

web 500 verbs forms list a to z in english learn basic forms of verbs which are taken as a very important point to start learning vocabulary we have also helped the learners learn how to use the various verb forms including the root form of the verb

list of verbs 1000 common verbs list with examples 7esl - Aug 16 2023

web apr 9 2023 list of verbs learn useful list of 700 common verbs in english with example sentences and esl printable worksheets learn verbs list with different types classified by their grammatical functions

english verbs wikipedia - Dec 08 2022

web english verbs verbs constitute one of the main parts of speech word classes in the english language like other types of words in the language english verbs are not heavily inflected most combinations of tense aspect mood and voice are expressed periphrastically using constructions with auxiliary verbs

verbs basic forms grammar cambridge dictionary - Feb 27 2022

web when you look up a verb in the dictionary you will often find the three forms listed together especially for irregular verbs here are some examples regular verbs are printed in

100 most common verbs list in english with examples - Feb 10 2023

web jul 26 2022 basically there are four types of verbs in the english language that we are going to discuss in this particular section of the verb list with meaning the following are the types of verbs in the english language along with their meanings and examples intransitive verbs are the types of verbs that express action but do not take into

[vocabulary list cambridge english](#) - Jun 02 2022

web multi word verbs are not included in the list if they have a literal meaning and are composed of verbs and particles already in the list examples of literal multi word verbs are come into sit down as in why not come into the kitchen and sit down if the meaning of the verb is not transparent e g find out get along give in then the

54 most common english verbs with meanings and examples - May 13 2023

web feb 7 2023 click here to learn 54 commonly used verbs in english these verbs will boost your vocabulary and help you start speaking more like a native in this post you ll learn the definition pronunciation examples and conjugations of these verbs in english

[list of common verbs 1000 common verbs list with examples](#) - Aug 04 2022

web may 21 2023 these lists contain a variety of verbs arranged alphabetically allowing you to identify familiar verbs and discover alternatives with similar meanings we encourage you to select a verb you typically use and find a synonymous one to incorporate into a

[list of verbs 2500 english verbs for esl learners](#) - Apr 12 2023

web may 13 2019 useful list of over 2500 verbs that are commonly used in english with example sentences and printable infographics learn these types of verbs with verb definitions to improve your grammar in english verbs that start with w verbs that start with y z common verb list infographic

most commonly used english verbs list pdf learn english - Sep 05 2022

web 100 common english verbs list 1 main verbs have three basic forms the base form the past form and the ed form sometimes called the ed participle this list also show you the most common verbs in their basic and 3rd person singular forms

100 most common english verb 1 most common used english verbs list 2

100 most common english verbs list linguasorb - Jul 15 2023

web 100 most common english verbs list this is a list of the 100 most common verbs in english if you are learning english it would be useful to learn these popular verbs first click though to see full conjugation tables of each verb irregular verb forms are in red

phrasal verbs list vocabulary englishclub - Jan 29 2022

web phrasal verbs quiz phrasal verbs in context ebook phrasal verbs long list phrasal verbs grammar phrasal verbs song englishclub learn english vocabulary word classes verbs phrasal verbs

no more mr nice guy audible com - Jan 10 2023

web publisher s summary this guide both a companion to dr robert glover s no more mr nice guy and a stand alone manual takes the listener on a step by step journey of masculine self discovery it provides a practical and emotional understanding of the problems that many nice guys face and it lays out a series of easy to follow exercises

no more mr nice guy summary robert glover 12min blog - May 02 2022

web mar 1 2019 a proven plan for getting what you want in love sex and life feeling like you re too nice for your own sake dr robert a glover would like to quote alice cooper for you no more mr nice guy who should read no more mr

no more mr nice guy a proven plan for getting what you want - Feb 11 2023

web no more mr nice guy a proven plan for getting what you want in love sex and life updated robert glover dec 2017 rb media narrated by robert glover 4 8 star 90 reviews headphones

no more mr nice guy a proven plan for getting what you - Dec 09 2022

web dec 15 2017 since the publication of no more mr nice guy in 2003 hundreds of thousands of men worldwide have learned how to release toxic shame soothe their anxiety face their fears connect with men embrace their passion and purpose and experience success in work and career

no more mr nice guy by robert a glover goodreads - Aug 17 2023

web nov 30 2000 dr robert glover is the author of no more mr nice guy a proven plan for getting what you want in love sex and life running press 2003 and dating essentials for men the only dating guide you will ever need dr glover is the creator of dating essentials for men and the director of tpi university ratings reviews what do

no more mr nice guy a proven plan for getting what you - Mar 12 2023

web one of the best books i ve ever read on men s emotional health and development mark manson author of the subtle art of not giving a f ck and models i

amazon com no more mr nice guy - May 14 2023

web jan 1 2022 no more mr nice guy a proven plan for getting what you want in love sex and life

no more mr nice guy a proven plan for getting what you want - Feb 28 2022

web feeling stuck in life contrary to what the title might seem to imply no more mr nice guy does not teach men how to be not nice dr glover shows men how to become what he calls integrated males becoming integrated does not mean becoming different or better

no more mr nice guy a proven plan for getting what you want - Sep 18 2023

web bu ürün no more mr nice guy a proven plan for getting what you want in love sex and life 95228tl the rational male positive masculinity positive masculinity 44642tl toplam fiyat 1 398 70 tl İkisini de sepete ekle bu öğelerden bir adedi diğerinden daha önce gönderilir ayrıntıları göster

no more mr nice guy summary blinkist - Jul 04 2022

web no more mr nice guy 2000 is the nice guy s guide to recovery learn how to stop seeking the approval of others live your life the way you want to and ultimately get the love life and sex that you crave but that your nice guy

no more mr nice guy a proven plan for getting what you want - Apr 13 2023

web no more mr nice guy a proven plan for getting what you want in love sex and life january 2003 glover robert a glover robert a amazon com tr kitap

the book no more mr nice guy - Jul 16 2023

web no more mr nice guy a proven plan for getting what you want in love sex and life dr robert glover s groundbreaking book no more mr nice guy 2003 barnes noble running press has helped create a world wide movement of men who are dedicated to becoming more conscious authentic empowered and successful

no more mr nice guy a proven plan for getting what you want - Nov 08 2022

web jan 8 2003 abebooks com no more mr nice guy a proven plan for getting what you want in love sex and life 9780762415335 by glover robert a and a great selection of similar new used and collectible books available now at great prices

no more mr nice guy a proven plan for getting what you want - Oct 07 2022

web jan 8 2003 robert a glover running press jan 8 2003 self help 208 pages originally published as an e book that became a controversial media phenomenon no more mr nice guy landed its author a

no more mr nice guy a proven plan for getting what you - Jun 03 2022

web no more mr nice guy a proven plan for getting what you want in love sex and life glover dr robert a amazon se böcker böcker familj livsstil relationer köp nya 156 68 kr gratis leverans lördag 11 juni på din första beställning gratis hem och ombudsleverans eller snabbast leverans imorgon 9 juni beställ inom 9 tim 39 min

no more mr nice guy robert glover interview youtube - Jan 30 2022

web jan 1 2021 281k views 2 years ago patrick bet david has a virtual sit down with robert glover to talk about his book no more mr nice guy a proven plan for getting what you want in love sex and life

no more mr nice guy a proven plan for getting what you - Apr 01 2022

web jan 8 2003 no more mr nice guy a proven plan for getting what you want in love sex and life by robert a glover hardcover barnes noble originally published as an e book that became a controversial media phenomenon no more mr nice guy landed its author a certified marriage and uh oh it looks like your internet explorer is out of date

[no more mr nice guy internet archive](#) - Sep 06 2022

web solution this is why i wrote no more mr nice guy this book shows nice guys how to stop seeking approval and start getting what they want in love and life the information presented in no more mr nice guy represents a proven plan to help passively pleasing men break free from the ineffective patterns of the nice guy syndrome it is based on

[no more mr nice guy quotes by robert a glover goodreads](#) - Jun 15 2023

web robert glover no more mr nice guy a proven plan for getting what you want in love sex and life tags love psychology relationships 48 likes like 1if it frightens you do it 2don t settle

[robert a glover author of no more mr nice guy goodreads](#) - Aug 05 2022

web dr robert glover is the author of no more mr nice guy a proven plan for getting what you want in love sex and life running press 2003 and dating essentials for men the only dating guide you will ever need dr glover is the creator of dating essentials for men and the director of tpi university combine editions robert a glover s books