

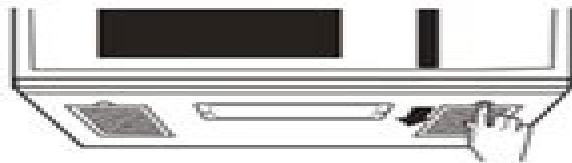
## CLEANING THE GREASE FILTER

Your microwave oven has reusable grease filter. The grease filters should be removed and cleaned at least once every four months or as required. To order a new grease filter, contact SamsungParts at 1-800-627-4368 or your Samsung dealer. You can also order online at [www.samsungparts.com](http://www.samsungparts.com)

 Your microwave oven has a filter reminder function. See page 10 for details.

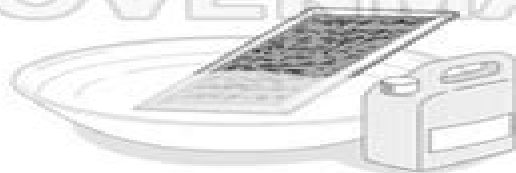
 To avoid risk of personal injury or property damage, do not operate the oven hood without the filters in place.

1. To remove the filter, slide them to the rear using the tabs, then pull down and out.



2. Soak the grease filter in hot water and a mild detergent. Rinse well and shake to dry. Brushing the filter lightly can remove embedded dirt.

 Do not use ammonia or put the grease filter in the microwave oven cavity to dry. The aluminum will darken.

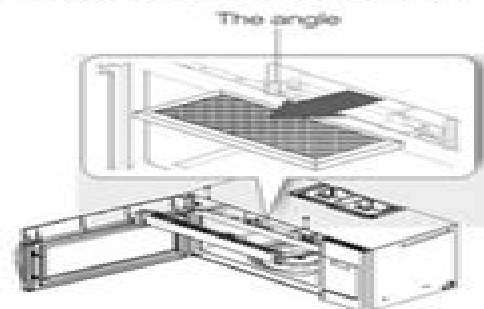


3. To re-install the filter, slide it into the frame slots on the back of each opening, and then press up and to the front to lock it.

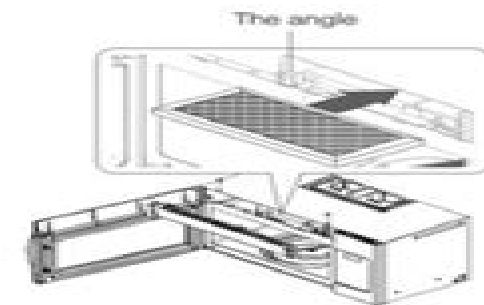
## REPLACING THE CHARCOAL FILTER

If your oven is vented to the inside, the charcoal filter should be replaced every 6 to 12 months and more often if necessary. The charcoal filter cannot be cleaned. To order a new charcoal filter, contact SamsungParts at 1-800-627-4368 or your Samsung dealer. You can also order online at [www.samsungparts.com](http://www.samsungparts.com)

1. Unplug the oven or turn off the power at the main power supply.
2. Open the door.
3. Remove the vent grille mounting screws (2 middle screws).
4. Slide the vent grille to the left, then pull it straight out.
5. Push the hook, and then remove the old filter.



6. Slide a new charcoal filter into place. The filter should rest at the angle shown.
7. Replace the vent grille and 2 screws, and then close the door. Turn the power back on, and then set the clock.



# Samsung Microwave User Manual

**Tina Nupur**



## **Samsung Microwave User Manual:**

Embark on a breathtaking journey through nature and adventure with is mesmerizing ebook, **Samsung Microwave User Manual** . This immersive experience, available for download in a PDF format ( PDF Size: \*), transports you to the heart of natural marvels and thrilling escapades. Download now and let the adventure begin!

<https://crm.avenza.com/results/virtual-library/Documents/Ncivil%20Engineering%20Previous%20Question%20Papers.pdf>

## **Table of Contents Samsung Microwave User Manual**

1. Understanding the eBook Samsung Microwave User Manual
  - The Rise of Digital Reading Samsung Microwave User Manual
  - Advantages of eBooks Over Traditional Books
2. Identifying Samsung Microwave User Manual
  - Exploring Different Genres
  - Considering Fiction vs. Non-Fiction
  - Determining Your Reading Goals
3. Choosing the Right eBook Platform
  - Popular eBook Platforms
  - Features to Look for in an Samsung Microwave User Manual
  - User-Friendly Interface
4. Exploring eBook Recommendations from Samsung Microwave User Manual
  - Personalized Recommendations
  - Samsung Microwave User Manual User Reviews and Ratings
  - Samsung Microwave User Manual and Bestseller Lists
5. Accessing Samsung Microwave User Manual Free and Paid eBooks
  - Samsung Microwave User Manual Public Domain eBooks
  - Samsung Microwave User Manual eBook Subscription Services
  - Samsung Microwave User Manual Budget-Friendly Options
6. Navigating Samsung Microwave User Manual eBook Formats

- ePub, PDF, MOBI, and More
  - Samsung Microwave User Manual Compatibility with Devices
  - Samsung Microwave User Manual Enhanced eBook Features
7. Enhancing Your Reading Experience
    - Adjustable Fonts and Text Sizes of Samsung Microwave User Manual
    - Highlighting and Note-Taking Samsung Microwave User Manual
    - Interactive Elements Samsung Microwave User Manual
  8. Staying Engaged with Samsung Microwave User Manual
    - Joining Online Reading Communities
    - Participating in Virtual Book Clubs
    - Following Authors and Publishers Samsung Microwave User Manual
  9. Balancing eBooks and Physical Books Samsung Microwave User Manual
    - Benefits of a Digital Library
    - Creating a Diverse Reading Collection Samsung Microwave User Manual
  10. Overcoming Reading Challenges
    - Dealing with Digital Eye Strain
    - Minimizing Distractions
    - Managing Screen Time
  11. Cultivating a Reading Routine Samsung Microwave User Manual
    - Setting Reading Goals Samsung Microwave User Manual
    - Carving Out Dedicated Reading Time
  12. Sourcing Reliable Information of Samsung Microwave User Manual
    - Fact-Checking eBook Content of Samsung Microwave User Manual
    - Distinguishing Credible Sources
  13. Promoting Lifelong Learning
    - Utilizing eBooks for Skill Development
    - Exploring Educational eBooks
  14. Embracing eBook Trends
    - Integration of Multimedia Elements
    - Interactive and Gamified eBooks

## Samsung Microwave User Manual Introduction

In the digital age, access to information has become easier than ever before. The ability to download Samsung Microwave User Manual has revolutionized the way we consume written content. Whether you are a student looking for course material, an avid reader searching for your next favorite book, or a professional seeking research papers, the option to download Samsung Microwave User Manual has opened up a world of possibilities. Downloading Samsung Microwave User Manual provides numerous advantages over physical copies of books and documents. Firstly, it is incredibly convenient. Gone are the days of carrying around heavy textbooks or bulky folders filled with papers. With the click of a button, you can gain immediate access to valuable resources on any device. This convenience allows for efficient studying, researching, and reading on the go. Moreover, the cost-effective nature of downloading Samsung Microwave User Manual has democratized knowledge. Traditional books and academic journals can be expensive, making it difficult for individuals with limited financial resources to access information. By offering free PDF downloads, publishers and authors are enabling a wider audience to benefit from their work. This inclusivity promotes equal opportunities for learning and personal growth. There are numerous websites and platforms where individuals can download Samsung Microwave User Manual. These websites range from academic databases offering research papers and journals to online libraries with an expansive collection of books from various genres. Many authors and publishers also upload their work to specific websites, granting readers access to their content without any charge. These platforms not only provide access to existing literature but also serve as an excellent platform for undiscovered authors to share their work with the world. However, it is essential to be cautious while downloading Samsung Microwave User Manual. Some websites may offer pirated or illegally obtained copies of copyrighted material. Engaging in such activities not only violates copyright laws but also undermines the efforts of authors, publishers, and researchers. To ensure ethical downloading, it is advisable to utilize reputable websites that prioritize the legal distribution of content. When downloading Samsung Microwave User Manual, users should also consider the potential security risks associated with online platforms. Malicious actors may exploit vulnerabilities in unprotected websites to distribute malware or steal personal information. To protect themselves, individuals should ensure their devices have reliable antivirus software installed and validate the legitimacy of the websites they are downloading from. In conclusion, the ability to download Samsung Microwave User Manual has transformed the way we access information. With the convenience, cost-effectiveness, and accessibility it offers, free PDF downloads have become a popular choice for students, researchers, and book lovers worldwide. However, it is crucial to engage in ethical downloading practices and prioritize personal security when utilizing online platforms. By doing so, individuals can make the most of the vast array of free PDF resources available and embark on a journey of continuous learning and intellectual growth.

## FAQs About Samsung Microwave User Manual Books

How do I know which eBook platform is the best for me? Finding the best eBook platform depends on your reading preferences and device compatibility. Research different platforms, read user reviews, and explore their features before making a choice. Are free eBooks of good quality? Yes, many reputable platforms offer high-quality free eBooks, including classics and public domain works. However, make sure to verify the source to ensure the eBook credibility. Can I read eBooks without an eReader? Absolutely! Most eBook platforms offer web-based readers or mobile apps that allow you to read eBooks on your computer, tablet, or smartphone. How do I avoid digital eye strain while reading eBooks? To prevent digital eye strain, take regular breaks, adjust the font size and background color, and ensure proper lighting while reading eBooks. What the advantage of interactive eBooks? Interactive eBooks incorporate multimedia elements, quizzes, and activities, enhancing the reader engagement and providing a more immersive learning experience. Samsung Microwave User Manual is one of the best book in our library for free trial. We provide copy of Samsung Microwave User Manual in digital format, so the resources that you find are reliable. There are also many Ebooks of related with Samsung Microwave User Manual. Where to download Samsung Microwave User Manual online for free? Are you looking for Samsung Microwave User Manual PDF? This is definitely going to save you time and cash in something you should think about.

### Find Samsung Microwave User Manual :

[ncivil engineering previous question papers](#)

[ncs grade 11 exemplar life science p1 2013](#)

[nec dtr 1 1a bk tel manual](#)

[ncert english class 7 golden guide](#)

[nec np1000 instruction manual](#)

[ncert english class 8 guide](#)

[nayfeh perturbation method solution manual](#)

[nccer core curriculum trainee guide](#)

[nec dterm ip user guide](#)

**[nec microwave manual](#)**

[nec 2000 user guide](#)

[nec multisync lcd 1810 manual](#)

**[navman n20 user guide](#)**

neapolitan cake recipe

**nebosh past papers and answers**

### **Samsung Microwave User Manual :**

Career Theory and Practice Learning Through Case Studies Career Theory and Practice: Learning Through Case Studies illustrates the process, theories, and application of career development counseling through a series ... Career Theory and Practice: Learning Through Case Studies Designed to help readers apply career development theories to their work with career counseling clients, Career Theory and Practice: Learning Through Case ... Career Theory and Practice: Learning Through Case Studies Career Theory and Practice: Learning Through Case Studies illustrates the process, theories, and application of career development counseling through a series ... Career Theory and Practice: Learning Through Case Studies Career Theory and Practice: Learning Through Case Studies illustrates the process, theories, and application of career development counseling through a series ... Career theory and practice : learning through case studies "Designed to help readers apply career development theories to their work with career counseling clients, Career Theory and Practice: Learning Through Case ... Learning through case studies 4th edition : r/textbook\_piracy [Request} Career theory and practice: Learning through case studies 4th edition. 14 comments sorted by Best. Career Theory and Practice: Learning through Case Studies The authors of this book demonstrate with case examples how to apply career development theories to career counselling practice. Career Theory and Practice 4th edition 9781544333663 Career Theory and Practice: Learning Through Case Studies 4th Edition is written by Jane L. Swanson; Nadya A. Fouad and published by SAGE Publications, ... Career Theory and Practice: Learning Through Case ... Career Theory and Practice: Learning Through Case Studies by Swanson, Jane L.; Fouad, Nadya - ISBN 10: 1412937515 - ISBN 13: 9781412937511 - SAGE ... Career Theory and Practice: Learning Through Case Studies Career Theory and Learning Through Case Studies illustrates the process, theories, and application of career development counseling through a series of rich ... Einstein : his life and universe : Isaacson, Walter Apr 6, 2021 — Einstein : his life and universe ; Publisher: New York : Simon & Schuster ; Collection: printdisabled; internetarchivebooks ; Contributor: Internet ... (PDF) Einstein: His Life and Universe by Walter Isaacson This is a contemporary review of the involvement of Mileva Marić, Albert Einstein's first wife, in his theoretical work between the period of 1900 to 1905. Einstein: His Life and Universe by Walter Isaacson Acclaimed biographer Walter Isaacson's best-selling Benjamin Franklin offered remarkable insight into one of America's most treasured historical icons. (PDF) Einstein: His Life and Universe | Walter Isaacson Einstein: His Life and Universe. Walter Isaacson - Einstein, His Life and Universe (2007) Walter Isaacson - Einstein, His Life and Universe (2007) - Free download as Text File (.txt), PDF File (.pdf) or read online for free. Einstein: His Life and Universe eBook : Isaacson, Walter His fascinating story is a testament to the connection



between creativity and freedom. Based on newly released personal letters of Einstein, this book explores ... Einstein: His Life and Universe ..... epub Einstein was a rebel and nonconformist from boyhood days, and these character traits drove both his life and his science. In this narrative, Walter Isaacson ... Einstein: His Life and Universe by Walter Isaacson His fascinating story is a testament to the connection between creativity and freedom. Based on the newly released personal letters of Albert Einstein ... [Listen][Download] Einstein His Life And Universe Audiobook Einstein His Life And Universe Audiobook is all about a great person who was passionate about the universe and the related concepts. Einstein: His Life and Universe - Walter Isaacson Apr 11, 2017 — The definitive, internationally bestselling biography of Albert Einstein. Now the basis of Genius, the ten-part National Geographic series ... Writing Resources Writing Resources. Bullet Varied Sentence Starters. Books for Results Newsletter. © Copyright 2023 Books for Results Inc. All rights reserved. Sentence Structure Made Simple By JoAnne Moore Incomplete sentences, missed periods or capitals, and a lack of varied sentence starters are a source of endless frustration in the writing process. Varying Sentence Openers for Emphasis, Pace, and ... by S Lai · Cited by 3 — Rewrite the following sentence, using different sentence openings. Next, observe how you created and manipulated emphasis, pace, and cohesion by delaying the ... Vary sentence beginnings Vary sentence beginnings. 950+ results for. Sort by: Relevance ... sentence starters. Finally they will independently apply the skills ... 7.1 Sentence Variety - Writing for Success Experienced writers incorporate sentence variety into their writing by varying sentence style and structure. Using a mixture of different sentence structures ... Nonfiction sentence starters Nonfiction sentence starters. 440+ results for. Sort by: Relevance. Relevance; Rating; Rating Count; Price (Ascending); Price (Descending) ... 42 Top "Sentence Starters From Book Review" Teaching ... 42 Top "Sentence Starters From Book Review" Teaching Resources curated for you. · Giving Your Opinion Word Mat · KS2 Character Description Template Activity Set. Super Sentence Starter Book Mark - Printable Teaching ... Mar 15, 2015 — Super Sentence Starter Book Mark! Six different coloured book marks there are 3 on each A4 page. A simple book mark which can be laminated ... 8 Ways to Vary Sentences in a Novel 1. With a subject: The subject-verb-object sentence structure is the most commonly used, basic sentence structure. · 2. With a phrase: · 3. With a clause: · 4.