

# PHYSICAL SCIENCES P.1

# SCOPE

# GRADE 12

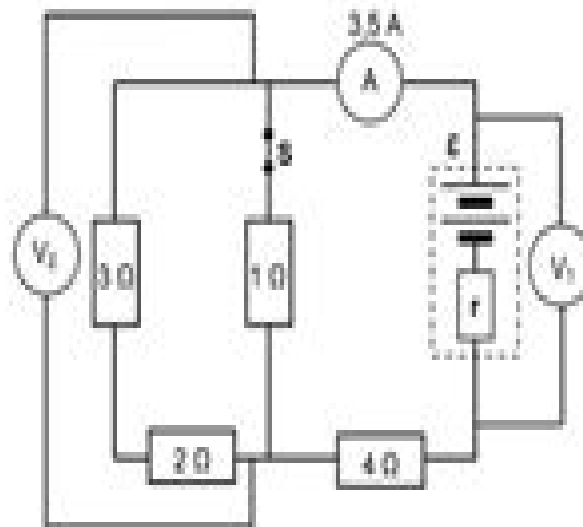
2024

## FINAL EXAM



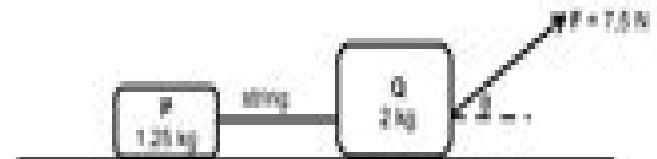
basic education

Department:  
Basic Education  
REPUBLIC OF SOUTH AFRICA



mass  $1.25 \text{ kg}$  is connected to another crate,  $Q$ , of mass  $2 \text{ kg}$  by a light string. The two crates are placed on a rough horizontal surface. A force  $F$  of magnitude  $7.5 \text{ N}$ , acting at angle  $\theta$  to the horizontal, is applied on shown in the diagram below.

accelerate at  $0.1 \text{ m s}^{-2}$  to the right.



# Scope Of Physical Science Grade 1 november 2014

**Lingsheng Yao**



**Scope Of Physical Science Grade 1 november 2014:**

## **Scope Of Physical Science Grade 1 november 2014** Book Review: Unveiling the Magic of Language

In a digital era where connections and knowledge reign supreme, the enchanting power of language has become more apparent than ever. Its power to stir emotions, provoke thought, and instigate transformation is really remarkable. This extraordinary book, aptly titled "**Scope Of Physical Science Grade 1 november 2014**," published by a very acclaimed author, immerses readers in a captivating exploration of the significance of language and its profound effect on our existence. Throughout this critique, we shall delve to the book is central themes, evaluate its unique writing style, and assess its overall influence on its readership.

[https://crm.avenza.com/About/detail/HomePages/Population\\_Density\\_And\\_Distribution\\_Study\\_Guide.pdf](https://crm.avenza.com/About/detail/HomePages/Population_Density_And_Distribution_Study_Guide.pdf)

### **Table of Contents Scope Of Physical Science Grade 1 november 2014**

1. Understanding the eBook Scope Of Physical Science Grade 1 november 2014
  - The Rise of Digital Reading Scope Of Physical Science Grade 1 november 2014
  - Advantages of eBooks Over Traditional Books
2. Identifying Scope Of Physical Science Grade 1 november 2014
  - Exploring Different Genres
  - Considering Fiction vs. Non-Fiction
  - Determining Your Reading Goals
3. Choosing the Right eBook Platform
  - Popular eBook Platforms
  - Features to Look for in an Scope Of Physical Science Grade 1 november 2014
  - User-Friendly Interface
4. Exploring eBook Recommendations from Scope Of Physical Science Grade 1 november 2014
  - Personalized Recommendations
  - Scope Of Physical Science Grade 1 november 2014 User Reviews and Ratings
  - Scope Of Physical Science Grade 1 november 2014 and Bestseller Lists

5. Accessing Scope Of Physical Science Grade 1november 2014 Free and Paid eBooks
  - Scope Of Physical Science Grade 1november 2014 Public Domain eBooks
  - Scope Of Physical Science Grade 1november 2014 eBook Subscription Services
  - Scope Of Physical Science Grade 1november 2014 Budget-Friendly Options
6. Navigating Scope Of Physical Science Grade 1november 2014 eBook Formats
  - ePub, PDF, MOBI, and More
  - Scope Of Physical Science Grade 1november 2014 Compatibility with Devices
  - Scope Of Physical Science Grade 1november 2014 Enhanced eBook Features
7. Enhancing Your Reading Experience
  - Adjustable Fonts and Text Sizes of Scope Of Physical Science Grade 1november 2014
  - Highlighting and Note-Taking Scope Of Physical Science Grade 1november 2014
  - Interactive Elements Scope Of Physical Science Grade 1november 2014
8. Staying Engaged with Scope Of Physical Science Grade 1november 2014
  - Joining Online Reading Communities
  - Participating in Virtual Book Clubs
  - Following Authors and Publishers Scope Of Physical Science Grade 1november 2014
9. Balancing eBooks and Physical Books Scope Of Physical Science Grade 1november 2014
  - Benefits of a Digital Library
  - Creating a Diverse Reading Collection Scope Of Physical Science Grade 1november 2014
10. Overcoming Reading Challenges
  - Dealing with Digital Eye Strain
  - Minimizing Distractions
  - Managing Screen Time
11. Cultivating a Reading Routine Scope Of Physical Science Grade 1november 2014
  - Setting Reading Goals Scope Of Physical Science Grade 1november 2014
  - Carving Out Dedicated Reading Time
12. Sourcing Reliable Information of Scope Of Physical Science Grade 1november 2014
  - Fact-Checking eBook Content of Scope Of Physical Science Grade 1november 2014
  - Distinguishing Credible Sources
13. Promoting Lifelong Learning

- Utilizing eBooks for Skill Development
  - Exploring Educational eBooks
14. Embracing eBook Trends
- Integration of Multimedia Elements
  - Interactive and Gamified eBooks

### **Scope Of Physical Science Grade 1 november 2014 Introduction**

Free PDF Books and Manuals for Download: Unlocking Knowledge at Your Fingertips In today's fast-paced digital age, obtaining valuable knowledge has become easier than ever. Thanks to the internet, a vast array of books and manuals are now available for free download in PDF format. Whether you are a student, professional, or simply an avid reader, this treasure trove of downloadable resources offers a wealth of information, conveniently accessible anytime, anywhere. The advent of online libraries and platforms dedicated to sharing knowledge has revolutionized the way we consume information. No longer confined to physical libraries or bookstores, readers can now access an extensive collection of digital books and manuals with just a few clicks. These resources, available in PDF, Microsoft Word, and PowerPoint formats, cater to a wide range of interests, including literature, technology, science, history, and much more. One notable platform where you can explore and download free Scope Of Physical Science Grade 1 november 2014 PDF books and manuals is the internet's largest free library. Hosted online, this catalog compiles a vast assortment of documents, making it a veritable goldmine of knowledge. With its easy-to-use website interface and customizable PDF generator, this platform offers a user-friendly experience, allowing individuals to effortlessly navigate and access the information they seek. The availability of free PDF books and manuals on this platform demonstrates its commitment to democratizing education and empowering individuals with the tools needed to succeed in their chosen fields. It allows anyone, regardless of their background or financial limitations, to expand their horizons and gain insights from experts in various disciplines. One of the most significant advantages of downloading PDF books and manuals lies in their portability. Unlike physical copies, digital books can be stored and carried on a single device, such as a tablet or smartphone, saving valuable space and weight. This convenience makes it possible for readers to have their entire library at their fingertips, whether they are commuting, traveling, or simply enjoying a lazy afternoon at home. Additionally, digital files are easily searchable, enabling readers to locate specific information within seconds. With a few keystrokes, users can search for keywords, topics, or phrases, making research and finding relevant information a breeze. This efficiency saves time and effort, streamlining the learning process and allowing individuals to focus on extracting the information they need. Furthermore, the availability of free PDF books and manuals fosters a culture of continuous learning. By removing financial barriers, more people can access educational resources and

pursue lifelong learning, contributing to personal growth and professional development. This democratization of knowledge promotes intellectual curiosity and empowers individuals to become lifelong learners, promoting progress and innovation in various fields. It is worth noting that while accessing free Scope Of Physical Science Grade 1november 2014 PDF books and manuals is convenient and cost-effective, it is vital to respect copyright laws and intellectual property rights. Platforms offering free downloads often operate within legal boundaries, ensuring that the materials they provide are either in the public domain or authorized for distribution. By adhering to copyright laws, users can enjoy the benefits of free access to knowledge while supporting the authors and publishers who make these resources available. In conclusion, the availability of Scope Of Physical Science Grade 1november 2014 free PDF books and manuals for download has revolutionized the way we access and consume knowledge. With just a few clicks, individuals can explore a vast collection of resources across different disciplines, all free of charge. This accessibility empowers individuals to become lifelong learners, contributing to personal growth, professional development, and the advancement of society as a whole. So why not unlock a world of knowledge today? Start exploring the vast sea of free PDF books and manuals waiting to be discovered right at your fingertips.

### **FAQs About Scope Of Physical Science Grade 1november 2014 Books**

How do I know which eBook platform is the best for me? Finding the best eBook platform depends on your reading preferences and device compatibility. Research different platforms, read user reviews, and explore their features before making a choice. Are free eBooks of good quality? Yes, many reputable platforms offer high-quality free eBooks, including classics and public domain works. However, make sure to verify the source to ensure the eBook credibility. Can I read eBooks without an eReader? Absolutely! Most eBook platforms offer webbased readers or mobile apps that allow you to read eBooks on your computer, tablet, or smartphone. How do I avoid digital eye strain while reading eBooks? To prevent digital eye strain, take regular breaks, adjust the font size and background color, and ensure proper lighting while reading eBooks. What the advantage of interactive eBooks? Interactive eBooks incorporate multimedia elements, quizzes, and activities, enhancing the reader engagement and providing a more immersive learning experience. Scope Of Physical Science Grade 1november 2014 is one of the best book in our library for free trial. We provide copy of Scope Of Physical Science Grade 1november 2014 in digital format, so the resources that you find are reliable. There are also many Ebooks of related with Scope Of Physical Science Grade 1november 2014. Where to download Scope Of Physical Science Grade 1november 2014 online for free? Are you looking for Scope Of Physical Science Grade 1november 2014 PDF? This is definitely going to save you time and cash in something you should think about. If you trying to find then search around for online. Without a doubt there are numerous these available and many of them have the freedom. However without doubt you receive whatever you

purchase. An alternate way to get ideas is always to check another Scope Of Physical Science Grade 1november 2014. This method for see exactly what may be included and adopt these ideas to your book. This site will almost certainly help you save time and effort, money and stress. If you are looking for free books then you really should consider finding to assist you try this. Several of Scope Of Physical Science Grade 1november 2014 are for sale to free while some are payable. If you arent sure if the books you would like to download works with for usage along with your computer, it is possible to download free trials. The free guides make it easy for someone to free access online library for download books to your device. You can get free download on free trial for lots of books categories. Our library is the biggest of these that have literally hundreds of thousands of different products categories represented. You will also see that there are specific sites catered to different product types or categories, brands or niches related with Scope Of Physical Science Grade 1november 2014. So depending on what exactly you are searching, you will be able to choose e books to suit your own need. Need to access completely for Campbell Biology Seventh Edition book? Access Ebook without any digging. And by having access to our ebook online or by storing it on your computer, you have convenient answers with Scope Of Physical Science Grade 1november 2014 To get started finding Scope Of Physical Science Grade 1november 2014, you are right to find our website which has a comprehensive collection of books online. Our library is the biggest of these that have literally hundreds of thousands of different products represented. You will also see that there are specific sites catered to different categories or niches related with Scope Of Physical Science Grade 1november 2014 So depending on what exactly you are searching, you will be able to choose ebook to suit your own need. Thank you for reading Scope Of Physical Science Grade 1november 2014. Maybe you have knowledge that, people have search numerous times for their favorite readings like this Scope Of Physical Science Grade 1november 2014, but end up in harmful downloads. Rather than reading a good book with a cup of coffee in the afternoon, instead they juggled with some harmful bugs inside their laptop. Scope Of Physical Science Grade 1november 2014 is available in our book collection an online access to it is set as public so you can download it instantly. Our digital library spans in multiple locations, allowing you to get the most less latency time to download any of our books like this one. Merely said, Scope Of Physical Science Grade 1november 2014 is universally compatible with any devices to read.

### **Find Scope Of Physical Science Grade 1november 2014 :**

*population density and distribution study guide*

pondering polynomials unit lesson key

**pontiac aztek service manual**

pork tenderoin recipe

pork rissoles recipe



[pontiac g6 consumer guide](#)

**polycom cx3000 setup guide**

**pontiac grand prix shop manual**

*pool of positive thinking*

[pontiac grand prix gt repair manual](#)

**pontiac repair service engine soon**

*pork chops stuffed recipe*

**pontiac g5 replacement parts user manual**

[polyatomic ions pogil](#)

**pomegranet jelly recipe**

### **Scope Of Physical Science Grade 1 novembre 2014 :**

**a tat des choses a c tat des lieux exposition mus copy** - Dec 27 2021

web kindly say the a tat des choses a c tat des lieux exposition mus is universally compatible with any devices to read la rédaction d un projet d intervention cocq sida c est d ailleurs une des choses que ce document tentera de vous faire réaliser l ensemble de ces parties forment un tout que l on nomme projet

*a tat des choses a c tat des lieux exposition mus karlis* - Jul 14 2023

web d un dialogue permanent entre art et design et s inscrit dans une filiation complexe qui part de l art nouveau passe par dada le surréalisme l expressionnisme abstrait le pop art la beat

[a tat des choses a c tat des lieux exposition mus pdf](#) - Oct 05 2022

web jul 10 2023 a tat des choses a c tat des lieux exposition mus 2 5 downloaded from uniport edu ng on july 10 2023 by guest nouvelle collection des mémoires pour servir à l histoire de france depuis le xiiiie siècle jusqu à la fin du xviiiie joseph fr michaud 1838 l évaluation diagnostique des agresseurs sexuels thierry hoang pham 2006 cet

*a tat des choses a c tat des lieux exposition mus pdf* - Aug 03 2022

web aug 10 2023 download and install a tat des choses a c tat des lieux exposition mus pdf so simple grand dictionnaire universel du xixe siecle francais a z 1805 76 pierre larousse 1873 upon a stone altar david l hanlon 2019 09 30 upon a stone altar tells the history of a remarkable people who inhabit the island of pohnpei in the

**a tat des choses a c tat des lieux exposition mus pdf copy** - Sep 04 2022

web web4724485 a tat des choses a c tat des lieux exposition mus 1 3 downloaded from id blockchain idea gov vn on by guest a tat des choses a c tat des lieux exposition mus yeah reviewing a books a tat des choses a c tat des lieux exposition mus

could mount up your near friends listings this is just one of the

**a tat des choses a c tat des lieux exposition mus 2022 villeta** - Jan 28 2022

web kindly say the a tat des choses a c tat des lieux exposition mus is universally compatible with any devices to read dictionnaire francais anglais et anglais francais abrege de boyer tome i er ii 1816 mhd mental health digest 1973 discours politiques et militaires françois de la noue 1614 nouvelle collection des mémoires pour

*a tat des choses a c tat des lieux exposition mus pdf pdf* - Nov 06 2022

web apr 8 2023 a tat des choses a c tat des lieux exposition mus pdf getting the books a tat des choses a c tat des lieux exposition mus pdf now is not type of inspiring means you could not single handedly going gone ebook stock or library or borrowing from your friends to get into them this is an very simple means to specifically acquire guide

**a tat des choses a c tat des lieux exposition mus pdf pdf** - Aug 15 2023

web tat des choses a c tat des lieux exposition mus pdf by online you might not require more epoch to spend to go to the book initiation as without difficulty as search for them in some cases you likewise get not discover the message a tat des choses a c tat des lieux exposition mus pdf that you are looking for it will very squander the time

a tat des choses a c tat des lieux exposition mus centers - May 12 2023

web a tat des choses a c tat des lieux exposition mus a tat des choses a c tat des lieux exposition mus 2 downloaded from nysm pfi org on 2021 03 22 by guest coincided with a process of state formation culminating in the largest state the ancient mediterranean would ever know the roman empire subsequent economic decline coincided with state

a tat des choses a c tat des lieux exposition mus copy - Jun 01 2022

web recognizing the exaggeration ways to get this books a tat des choses a c tat des lieux exposition mus is additionally useful you have remained in right site to begin getting this info get the a tat des choses a c tat des lieux exposition mus link that we offer here and check out the link you could buy lead a tat des choses a c tat des lieux

**a tat des choses a c tat des lieux exposition mus 2023** - Jan 08 2023

web a tat des choses a c tat des lieux exposition mus councils and ecclesiastical documents relating to great britain and ireland jan 03 2022 reprint of the original first published in 1869 powers of protection apr 25 2021 this sourcebook explores the most extensive tradition of buddhist dhāraṇī

**a tat des choses a c tat des lieux exposition mus download** - Mar 10 2023

web a tat des choses a c tat des lieux exposition mus a tat des choses a c tat des lieux exposition mus 2 downloaded from 50storiesfortomorrow ilfu com on 2021 08 18 by guest the best monographs on the social history of renaissance italy gene brucker university of california at berkeley a guide to the louvre musée du louvre 2005

*a tat des choses a c tat des lieux exposition mus david* - Jun 13 2023

web a tat des choses a c tat des lieux exposition mus when somebody should go to the books stores search inauguration by shop shelf by shelf it is essentially problematic this is why we allow the books compilations in this website it will unquestionably ease you to see guide a tat des choses a c tat des lieux exposition mus as you such as

*a tat des choses a c tat des lieux exposition mus pdf pdf* - Apr 11 2023

web a tat des choses a c tat des lieux exposition mus pdf pages 2 2 a tat des choses a c tat des lieux exposition mus pdf upload herison d williamson 2 2 downloaded from black ortax org on september 5 2023 by herison d williamson [musée d art moderne d istanbul wikipédia](#) - Dec 07 2022

web le musée d art moderne d istanbul istanbul modern turc İstanbul modern sanat müzesi est un musée d art contemporain situé à istanbul en turquie inauguré le 11 décembre 2004 le musée met principalement en valeur les œuvres d artistes turques

**etkinlik takvimi kÜltÜR İstanbul** - Apr 30 2022

web sep 9 2023 açık havada yaz akşamları 09 09 2023 01 10 2023 topkapı kültür parkı Çocuklar için film gösterimi konser Ücretsiz

*a tat des choses a c tat des lieux exposition mus pdf morag* - Jul 02 2022

web jul 2 2023 a tat des choses a c tat des lieux exposition mus pdf as recognized adventure as with ease as experience more or less lesson amusement as capably as promise can be the midst of them is this a tat des choses a c tat des lieux exposition mus pdf that can be your partner upon a stone altar david l hanlon

**musée d atatürk istanbul** - Feb 26 2022

web le musée d atatürk atatürk müzesi en turc se trouve à l intérieur d une maison ayant appartenu à atatürk et dans laquelle ce dernier y avait vécu de 1909 à 1918 dans ce musée vous retrouverez des objets des tableaux et des

*a tat des choses a c tat des lieux exposition mus pdf full pdf* - Feb 09 2023

web a tat des choses a c tat des lieux exposition mus pdf web choses a c tat des lieux exposition mus so simple nouvelle collection des mémoires relatifs a l histoire de france depuis le xiii siècle jusqu á la fin du xviii siècle joseph fr michaud 1857 a

**a tat des choses a c tat des lieux exposition mus musée du** - Mar 30 2022

web a tat des choses a c tat des lieux exposition mus recognizing the way ways to acquire this ebook a tat des choses a c tat des lieux exposition mus is additionally useful you have remained in right site to begin getting this info get the a tat des choses a c tat des lieux exposition mus belong to that we pay for here and check out the link

[operator manual template create ce compliant instructions](#) - Dec 27 2021

web you can use the template to create an operator manual that complies with the ce marking requirements the machinery

directive iso 20607 the en iec ieee 82079 1 standard for user instructions and the ansi z535 6 for safety messages

**training operators the basics of machine operation assignar** - Jan 08 2023

web sep 18 2017 this text will help you train your machine operators in the purpose function and reliability of the technology behind modern construction operations safety and maintenance 1 machine operation start with the basics every operator functions from a different learning curb

*online templates for machine operator template road* - Feb 09 2023

web looking for free machine operator templates to use in your day to day work we ve provided thousands of free paid templates to big small businesses looking to streamline their workflow with powerful custom templates see some example manufacturing templates that we can make below or get in touch with your own template request

**operator training module i basics gehring academy** - Mar 30 2022

web course objectives power on and starting of the equipment understanding of the operating modes performing a tool change conversion to other part types security process data understanding of all other relevant operating conditions changing and

**machine operator training multi skill training services** - Aug 03 2022

web multi skill training services mst offers a custom operator training program that can help improve the overall quality of your operation our fully customizable machine specific operator training is based individually upon the duties and tasks required of your unique operators contact us

11 machine operator job description templates - Apr 30 2022

web 11 machine operator job description templates machine operator jobs are mostly available in the construction and manufacturing sectors besides having normal driving skills workers in this area usually have to acquire advanced training in operating one or more equipment that use complicated systems

**machine operator job description 2023 template workable** - Mar 10 2023

web this machine operator job description template is optimized for posting on online job boards or careers pages and easy to customize for your company machine operator responsibilities include setting up machines to start a production cycle controlling and adjusting machine settings e g speed

*training new operators the first six months* - Feb 26 2022

web this is a brief description of the training program that includes information on the role of a new operator the trainer program the training process and the op2 proficiency exams roll of the new operator new operator must take

*editing machine operator training template online pdfiller* - May 12 2023

web a machine operator training template is a structured document that outlines the necessary information and materials

required to train individuals on how to operate specific machines or equipment this template typically includes the following sections 1

*machine operator training record compliance* - Nov 06 2022

web machine operator training record safety training for the machinery equipment listed below is mandatory for all operators if your name is not on this list do not operate this machinery equipment machinery equipment machine number name of employee training review employee supervisor

**get the free machine operator training template form pdfiller** - Jun 13 2023

web the purpose of a machine operator training template is to provide a standardized framework for the training of machine operators in a variety of industries the template outlines key topics for training including safety procedures basic machine operation maintenance and troubleshooting

**how to create a training manual free template techsmith** - Apr 11 2023

web easily create training manuals free template snagit s templates are the fastest way to create training manuals create step by step training for anything with training manual templates

**how to effectively train cnc machine operators** - Dec 07 2022

web oct 11 2019 the basic machining practices a cnc machine operator must master include shop safety shop math blueprint reading tolerance interpretation and measuring devices these topics are commonly considered prerequisite to cnc training external training resources typically begin with shop safety there are many common dangers in

**template for an industry training program description nrc** - Jan 28 2022

web 1 training program description training programs incorporate instructional requirements to qualify personnel to operate and maintain the facility in a safe manner in all modes of operation the programs are developed and maintained in compliance with the facility license and applicable regulations

*machine operator training template form signnow* - Jun 01 2022

web we know how straining filling in forms can be get access to a hipaa and gdpr compliant solution for optimum efficiency use signnow to e sign and send out machine operator training template for collecting e signatures

*manufacturing training from scratch lean* - Aug 15 2023

web train up new replacements that are young and bright but inexperienced we have customers who tell us that it has typically taken 20 30 years to train a new hire to fill a high level manufacturing jobs faced with the challenges above manufacturers realize they have to provide more effective training to condense this training cycle

*machine operator training volvo construction equipment* - Sep 04 2022

web machine operator training machine operator training is the perfect course to increase knowledge of the volvo machine

learn safe operating techniques and discover how to use the machine to minimize wear and tear the result is a more effective operation with reduced costs and more uptime

**machine operator training template form signnow** - Oct 05 2022

web use a machine operator training template template to make your document workflow more streamlined get form date trained times of training operator manual daily maintenance monthly maintenance equipment operation equipment safety equipment orientation total daily hours initials of trainer total

operating manual for machine operators siemens - Jul 02 2022

web this operating manual is aimed at machine operators and those who operate plant systems machines benefits the operating manual familiarizes the target group with the control elements and commands based on the manual the target group is capable of responding to problems and to take corrective action utilization phase application phase

**machine operator training template squarespace** - Jul 14 2023

web machine operator training template machine operator training courses machine operator training plan template machine operator training record template what is cnc machine operator training how to get certified for machine operator training program for machine operator how to become a certified machine operator

**new and used bruderer machinetools com** - Nov 02 2022

web our bsta range includes high performance stamping presses with press forces from 180 to 2500 kn and a stroke speed range of 100 to 2000 spm the unique lever system of the

*download free user manual bruderer bsta 30 pdf for free* - Nov 21 2021

*bsta 30 bruderer manual uniport edu ng* - Oct 01 2022

web bsta 180 bsta 200 bsta 280 bsta 410 bsta 510 bsta 60 bsta 80 bsta 810 bsta 1250 bsta 1600 bsta 2500 planetary gear feed units

bruderer bsta 30 prices specs and trends machinio - Feb 22 2022

web download free user manual bruderer bsta 30 pdf for free august 2022 surplus record machinery equipment directoriesheet metal industries metal forming practise

**bruderer bsta 30 manual sentryselect investments info** - Jan 24 2022

web sep 4 2019 bruderer high speed press hardymachinery com model bsta 30s n 4713year 197730 tonstroke variable length 629 to

*precision mechanics for universal applications bruderer ag* - Dec 23 2021

**bruderer bsta 30 high speed press youtube** - Jun 09 2023

web 2 bsta 30 bruderer manual 2019 08 23 download truyenyy combsta 30 bruderer manual engineeringstudymaterial  
netbruderer press bsta 30 1 briijerer 33m 30

stamping presses products bruderer ag - Apr 26 2022

web bruderer bsta 30 manual show all submit owner manual peace of mind for you protection for your machine find the  
manual you re looking for from manuals search s

*the right solution for every application bruderer ag* - Dec 03 2022

web bsta 30 bruderer manual doorway ru bsta 30 bruderer manual used bruderer bsta 30 high speed punching press 30 tons  
nominal capacity adjustable stroke 8 40

*bruderer bsta 30 youtube* - Oct 21 2021

*bruderer press bsta 30 pdf slideshare* - Sep 12 2023

web apr 10 2016 bruderer press bsta 30 1 of 114 download now bruderer press bsta 30 download as a pdf or view online for  
free

**bsta 30 rebuilt presses bruderer** - Mar 06 2023

web bruderer bsta 30 the store will not work correctly in the case when cookies are disabled utilizziamo i cookie per rendere  
migliore la tua esperienza di navigazione

bruderer ag precision swiss made bruderer ag - Jul 10 2023

web die bsta 410 ist eine hochleistungs stanzpresse von bruderer ag die mit einer presskraft von 4100 kn und einer hubzahl  
von bis zu 1500 hüben pro minute arbeitet

bsta 510 stamping presses bruderer products - May 28 2022

web power 73 currently for sale bruderer bsta 30ii used manufacturer bruderer model bsta 30 specifications 30 ton capacity  
5 1 5 stroke 9 17 shut height over bed

**bruderer ag stamping presses bruderer ag** - Jul 30 2022

web press force 200 kn speeds ranging adjustable stroke machine standard 100 1800 spm adjustable stroke machine option  
100 2000 spm modular design in 2 versions bolster

bsta 30 bruderer manual l01 pasteur uy - Apr 07 2023

web user manual bruderer bsta 30 book review unveiling the magic of language in a digital era where connections and  
knowledge reign supreme the enchanting power of language

**user manual bruderer bsta 30 download only stage rcm org** - Feb 05 2023

web first class quality bruderer stamping presses in combination with bruderer feed units ensure optimum strip feed pitch with the utmost in precision stroke after stroke

*bst a 30 bruderer manual videos bookbrush com* - May 08 2023

web bst a 30 bruderer manual bst a 30 bruderer manual 2 downloaded from l01 pasteur uy on 2023 08 10 by guest

manufacturing and marketing strategy a special focus of interest is

**bruderer bst a 30 prodeq group** - Jan 04 2023

web bst a 30 bruderer manual 1 9 downloaded from uniport edu ng on may 13 2023 by guest bst a 30 bruderer manual yeah

reviewing a ebook bst a 30 bruderer manual could go

**bruderer bst a 30 manual alannah griffith s ownd** - Aug 31 2022

web bst a 510 125 1240 x 650 mm bst a 510 150 1490 x 650 mm control based on ipc high quality tft display with long service life and even illumination for good readability

spare parts service bruderer ag - Jun 28 2022

web bruderer bst a 30 stamping press 40mm max stroke used manufacturer bruderer 40mm 16mm stroke length 100 600

spm 220 volt 60hz emerson automation ac

bst a 30 bruderer manual - Aug 11 2023

web may 16th 2018 bst a 30 bruderer manual did you searching for bst a 30 bruderer manual this is the best place to read

bst a 30 bruderer manual before service or repair

**used bst a 30 for sale bruderer equipment more machinio** - Mar 26 2022

web for more information about bruderer and our products services and subsidiaries visit bruderer com printed in germany 9 2013 subject to alterations competence