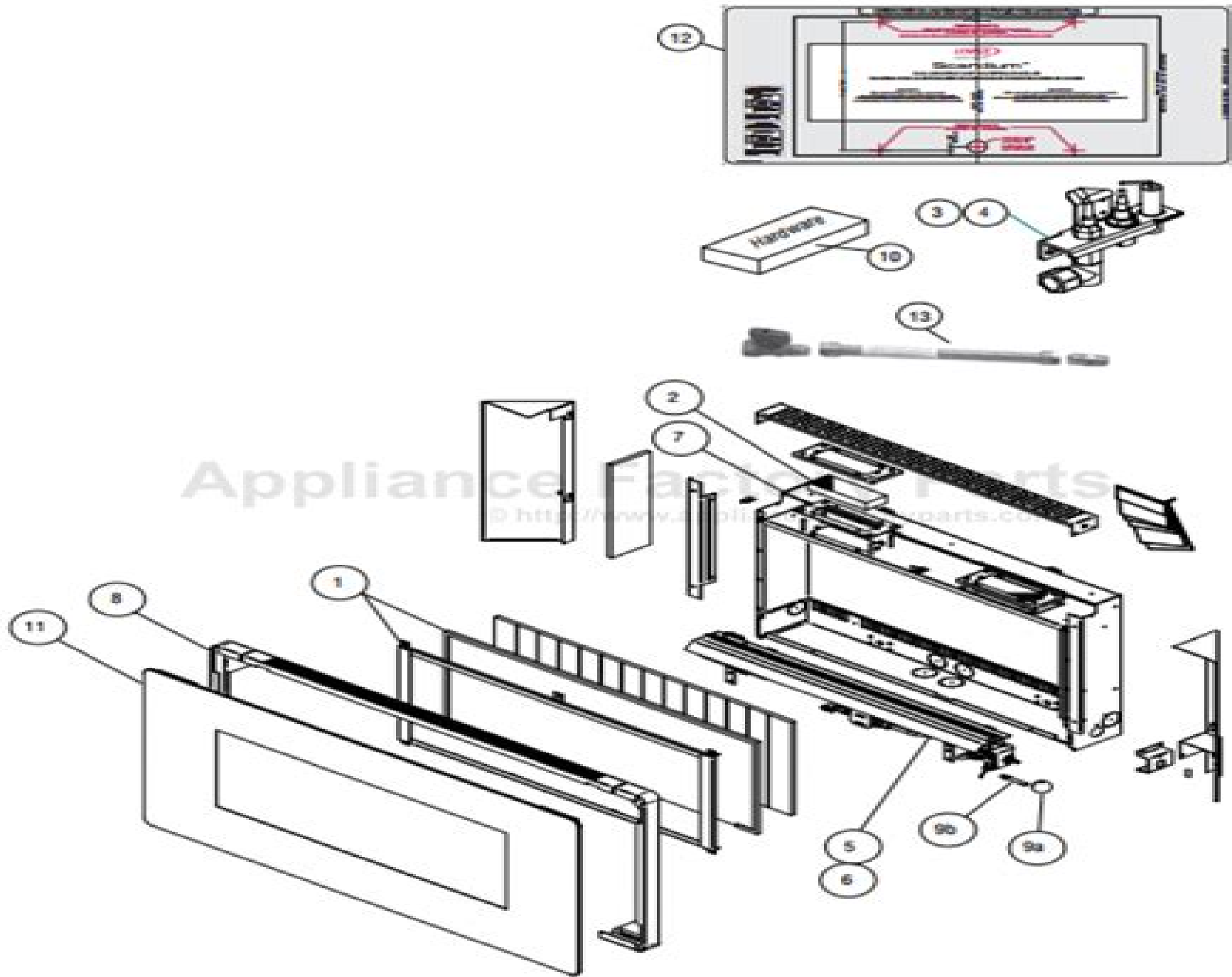


Appliance Parts
© http://www.applianceparts.com



Scandium Fireplace Guide

AN Whitehead



Scandium Fireplace Guide:

If you ally obsession such a referred **Scandium Fireplace Guide** ebook that will offer you worth, acquire the definitely best seller from us currently from several preferred authors. If you want to humorous books, lots of novels, tale, jokes, and more fictions collections are moreover launched, from best seller to one of the most current released.

You may not be perplexed to enjoy every book collections Scandium Fireplace Guide that we will entirely offer. It is not as regards the costs. Its approximately what you obsession currently. This Scandium Fireplace Guide, as one of the most operating sellers here will categorically be among the best options to review.

https://crm.avenza.com/About/uploaded-files/fetch.php/Rdo_Calander_2015_Cfmeu.pdf

Table of Contents Scandium Fireplace Guide

1. Understanding the eBook Scandium Fireplace Guide
 - The Rise of Digital Reading Scandium Fireplace Guide
 - Advantages of eBooks Over Traditional Books
2. Identifying Scandium Fireplace Guide
 - Exploring Different Genres
 - Considering Fiction vs. Non-Fiction
 - Determining Your Reading Goals
3. Choosing the Right eBook Platform
 - Popular eBook Platforms
 - Features to Look for in an Scandium Fireplace Guide
 - User-Friendly Interface
4. Exploring eBook Recommendations from Scandium Fireplace Guide
 - Personalized Recommendations
 - Scandium Fireplace Guide User Reviews and Ratings
 - Scandium Fireplace Guide and Bestseller Lists
5. Accessing Scandium Fireplace Guide Free and Paid eBooks

- Scandium Fireplace Guide Public Domain eBooks
 - Scandium Fireplace Guide eBook Subscription Services
 - Scandium Fireplace Guide Budget-Friendly Options
6. Navigating Scandium Fireplace Guide eBook Formats
 - ePub, PDF, MOBI, and More
 - Scandium Fireplace Guide Compatibility with Devices
 - Scandium Fireplace Guide Enhanced eBook Features
 7. Enhancing Your Reading Experience
 - Adjustable Fonts and Text Sizes of Scandium Fireplace Guide
 - Highlighting and Note-Taking Scandium Fireplace Guide
 - Interactive Elements Scandium Fireplace Guide
 8. Staying Engaged with Scandium Fireplace Guide
 - Joining Online Reading Communities
 - Participating in Virtual Book Clubs
 - Following Authors and Publishers Scandium Fireplace Guide
 9. Balancing eBooks and Physical Books Scandium Fireplace Guide
 - Benefits of a Digital Library
 - Creating a Diverse Reading Collection Scandium Fireplace Guide
 10. Overcoming Reading Challenges
 - Dealing with Digital Eye Strain
 - Minimizing Distractions
 - Managing Screen Time
 11. Cultivating a Reading Routine Scandium Fireplace Guide
 - Setting Reading Goals Scandium Fireplace Guide
 - Carving Out Dedicated Reading Time
 12. Sourcing Reliable Information of Scandium Fireplace Guide
 - Fact-Checking eBook Content of Scandium Fireplace Guide
 - Distinguishing Credible Sources
 13. Promoting Lifelong Learning
 - Utilizing eBooks for Skill Development

- Exploring Educational eBooks
14. Embracing eBook Trends
- Integration of Multimedia Elements
 - Interactive and Gamified eBooks

Scandium Fireplace Guide Introduction

In the digital age, access to information has become easier than ever before. The ability to download Scandium Fireplace Guide has revolutionized the way we consume written content. Whether you are a student looking for course material, an avid reader searching for your next favorite book, or a professional seeking research papers, the option to download Scandium Fireplace Guide has opened up a world of possibilities. Downloading Scandium Fireplace Guide provides numerous advantages over physical copies of books and documents. Firstly, it is incredibly convenient. Gone are the days of carrying around heavy textbooks or bulky folders filled with papers. With the click of a button, you can gain immediate access to valuable resources on any device. This convenience allows for efficient studying, researching, and reading on the go. Moreover, the cost-effective nature of downloading Scandium Fireplace Guide has democratized knowledge. Traditional books and academic journals can be expensive, making it difficult for individuals with limited financial resources to access information. By offering free PDF downloads, publishers and authors are enabling a wider audience to benefit from their work. This inclusivity promotes equal opportunities for learning and personal growth. There are numerous websites and platforms where individuals can download Scandium Fireplace Guide. These websites range from academic databases offering research papers and journals to online libraries with an expansive collection of books from various genres. Many authors and publishers also upload their work to specific websites, granting readers access to their content without any charge. These platforms not only provide access to existing literature but also serve as an excellent platform for undiscovered authors to share their work with the world. However, it is essential to be cautious while downloading Scandium Fireplace Guide. Some websites may offer pirated or illegally obtained copies of copyrighted material. Engaging in such activities not only violates copyright laws but also undermines the efforts of authors, publishers, and researchers. To ensure ethical downloading, it is advisable to utilize reputable websites that prioritize the legal distribution of content. When downloading Scandium Fireplace Guide, users should also consider the potential security risks associated with online platforms. Malicious actors may exploit vulnerabilities in unprotected websites to distribute malware or steal personal information. To protect themselves, individuals should ensure their devices have reliable antivirus software installed and validate the legitimacy of the websites they are downloading from. In conclusion, the ability to download Scandium Fireplace Guide has transformed the way we access information. With the convenience, cost-effectiveness, and accessibility it offers,

free PDF downloads have become a popular choice for students, researchers, and book lovers worldwide. However, it is crucial to engage in ethical downloading practices and prioritize personal security when utilizing online platforms. By doing so, individuals can make the most of the vast array of free PDF resources available and embark on a journey of continuous learning and intellectual growth.

FAQs About Scandium Fireplace Guide Books

1. Where can I buy Scandium Fireplace Guide books? Bookstores: Physical bookstores like Barnes & Noble, Waterstones, and independent local stores. Online Retailers: Amazon, Book Depository, and various online bookstores offer a wide range of books in physical and digital formats.
2. What are the different book formats available? Hardcover: Sturdy and durable, usually more expensive. Paperback: Cheaper, lighter, and more portable than hardcovers. E-books: Digital books available for e-readers like Kindle or software like Apple Books, Kindle, and Google Play Books.
3. How do I choose a Scandium Fireplace Guide book to read? Genres: Consider the genre you enjoy (fiction, non-fiction, mystery, sci-fi, etc.). Recommendations: Ask friends, join book clubs, or explore online reviews and recommendations. Author: If you like a particular author, you might enjoy more of their work.
4. How do I take care of Scandium Fireplace Guide books? Storage: Keep them away from direct sunlight and in a dry environment. Handling: Avoid folding pages, use bookmarks, and handle them with clean hands. Cleaning: Gently dust the covers and pages occasionally.
5. Can I borrow books without buying them? Public Libraries: Local libraries offer a wide range of books for borrowing. Book Swaps: Community book exchanges or online platforms where people exchange books.
6. How can I track my reading progress or manage my book collection? Book Tracking Apps: Goodreads, LibraryThing, and Book Catalogue are popular apps for tracking your reading progress and managing book collections. Spreadsheets: You can create your own spreadsheet to track books read, ratings, and other details.
7. What are Scandium Fireplace Guide audiobooks, and where can I find them? Audiobooks: Audio recordings of books, perfect for listening while commuting or multitasking. Platforms: Audible, LibriVox, and Google Play Books offer a wide selection of audiobooks.
8. How do I support authors or the book industry? Buy Books: Purchase books from authors or independent bookstores. Reviews: Leave reviews on platforms like Goodreads or Amazon. Promotion: Share your favorite books on social media

or recommend them to friends.

9. Are there book clubs or reading communities I can join? Local Clubs: Check for local book clubs in libraries or community centers. Online Communities: Platforms like Goodreads have virtual book clubs and discussion groups.
10. Can I read Scandium Fireplace Guide books for free? Public Domain Books: Many classic books are available for free as they're in the public domain. Free E-books: Some websites offer free e-books legally, like Project Gutenberg or Open Library.

Find Scandium Fireplace Guide :

[rdo calander 2015 cfmeu](#)

rca 14f400t tvs owners manual

[rc949h user manual](#)

[rca oven manual](#)

rca remote control rc4glwf user guide

reacutepacutetition des sceacutenarios de vie la

rda exam texas study guide

razor powerwing scooter assembly instructions

reacuteussir son entretien concours paramedicaux et sociaux

[rca hd52w57 tvs owners manual](#)

[rca tc25252 manual](#)

re solutions manual to probability statistics for

[raymond easi r40tt manual](#)

rayna book the norton sisters series english edition

reacuteveacutelation brutale une enquecircte de linspecteurchef armand gamache

Scandium Fireplace Guide :

[rachel renee russell egy zizi napl ja 2 buli van egy - Jul 01 2022](#)

web rachel renee russell egy zizi napl ja 2 buli van egy rachel renee russell egy zizi napl ja 2 buli van egy max crumbly 1 beliv v06 biztos tipp hogy olvass egy jót egy

[rachel renee russell egy zizi napl ja 2 buli van egy - May 31 2022](#)

web jun 27 2023 acknowledgment for obtaining rachel renee russell egy zizi napl ja 2 buli van egy we settle for rachel renee russell egy zizi napl ja 2 buli van egy

rachel renee russell egy zizi napl ja 2 buli van egy - Jan 27 2022

web rachel renee russell egy zizi napl ja 2 buli van egy zizi naploja scribd com mandi könyvtára 2011 11 01 ffgbook blogspot com even on modest pc hardware by sun 27

rachel renee russell egy zizi napl ja 2 buli van egy - Oct 04 2022

web rachel renee russell egy zizi napl ja 2 buli van egy getting the books rachel renee russell egy zizi napl ja 2 buli van egy now is not type of inspiring means you could

rachel renee russell egy zizi napl ja 2 buli van egy pdf - Dec 06 2022

web jun 22 2023 collections rachel renee russell egy zizi napl ja 2 buli van egy pdf that we will unconditionally offer it is not in relation to the costs its just about what you

rachel renee russell egy zizi napl ja 2 buli van egy - Sep 22 2021

web 4730014 rachel renee russell egy zizi napl ja 2 buli van egy 2 20 downloaded from ctwelland clearfit com on by guest in which these depredations affect the daily lives and

rachel renee russell egy zizi napl ja 2 buli van egy pdf - Feb 08 2023

web apr 2 2023 rachel renee russell egy zizi napl ja 2 buli van egy 2 7 downloaded from uniport edu ng on april 2 2023 by guest that he was a gambler whose face lit up when

rachel renee russell egy zizi napl ja 2 buli van egy pdf - Aug 02 2022

web 2 2 rachel renee russell egy zizi napl ja 2 buli van egy 2021 09 06 a bump on the head suffered during gym class causes middle school drama queen nikki maxwell to

jessica renee russell imdb - Feb 25 2022

web jessica renee russell actress additional crew imdbpro starmeter see rank play demo reel 4 50 jessica renee russell reel 2 videos 7 photos jessica renee russell is

rachel renee russell egy zizi napl ja 2 buli van egy - Mar 09 2023

web discover the publication rachel renee russell egy zizi napl ja 2 buli van egy that you are looking for it will completely squander the time however below taking into account

rachel renee russell egy zizi napl ja 2 buli van egy copy - Jan 07 2023

web apr 17 2023 rachel renee russell egy zizi napl ja 2 buli van egy 1 7 downloaded from uniport edu ng on april 17 2023 by guest rachel renee russell egy zizi napl ja 2

rachel renee russell egy zizi napl ja 2 buli van egy isaac - Nov 24 2021

web notice rachel renee russell egy zizi napl ja 2 buli van egy that you are looking for it will totally squander the time however below next you visit this web page it will be

[jane russell imdb](#) - Mar 29 2022

web jane russell actress gentlemen prefer blondes ernestine jane geraldine russell was born on june 21 1921 in bemedji minnesota her father was a united states army

[rachel renee russell photos and premium high res pictures](#) - Nov 05 2022

web browse getty images premium collection of high quality authentic rachel renee russell stock photos royalty free images and pictures rachel renee russell stock photos are

[rachel renee russell egy zizi napl ja 2 buli van egy pdf](#) - Oct 24 2021

web apr 1 2023 rachel renee russell egy zizi napl ja 2 buli van egy 1 7 downloaded from uniport edu ng on april 1 2023 by guest rachel renee russell egy zizi napl ja 2 buli

[rachel renee russell egy zizi napl ja 2 buli van egy pdf](#) - Jul 13 2023

web jun 18 2023 rachel renee russell egy zizi napl ja 2 buli van egy pdf this is likewise one of the factors by obtaining the soft documents of this rachel renee russell egy

rachel renee russell egy zizi napl ja 2 buli van egy full pdf - Sep 03 2022

web egy zizi naplója rachel renee russell egy zizi napl ja 2 buli van egy downloaded from test downing co uk by guest rich arroyo ella enchanted simon and schuster a

[rachel renee russell egy zizi napl ja 2 buli van egy](#) - Dec 26 2021

web jan 25 2023 rachel renee russell egy zizi napl ja 2 buli van egy 1 4 downloaded from sfsupport2 solidfire com on by guest rachel renee russell egy zizi napl ja 2

rachel renee russell egy zizi napl ja 2 buli van egy pdf full - May 11 2023

web jul 7 2023 rachel renee russell egy zizi napl ja 2 buli van egy pdf and numerous books collections from fictions to scientific research in any way in the midst of them is

[rachel renee russell egy zizi napl ja 2 buli van egy pdf](#) - Apr 10 2023

web jun 27 2023 rachel renee russell egy zizi napl ja 2 buli van egy 2 9 downloaded from uniport edu ng on june 27 2023 by guest wacky middle school misadventure will delight

[rachel renee russell egy zizi napl ja 2 buli van egy](#) - Apr 29 2022

web rachel renee russell egy zizi napl ja 2 buli van egy rachel renee russell egy zizi napl ja 2 buli van egy rachel renee russell egy zizi naplója 7 tévésztár új rachel

rachel renee russell egy zizi napl ja 2 buli van egy copy - Aug 14 2023

web feb 24 2023 rachel renee russell egy zizi napl ja 2 buli van egy but stop in the works in harmful downloads rather than enjoying a good pdf like a mug of coffee in the

rachel renee russell egy zizi napl ja 2 buli van egy 2022 - Jun 12 2023

web 2 rachel renee russell egy zizi napl ja 2 buli van egy 2020 11 07 giants wicked stepsisters and fairy godmothers ella goes on a quest to break the curse forever

7 sınıf türkçe yazılı soruları ve cevapları 2022 2023 - Dec 27 2021

web sınıf türkçe yazılı soruları ve cevapları 2022 2023 7 sınıf türkçe yazılı soruları ve cevapları 2022 2023 eğitim öğretim yılı güncel meb müfredatına göre yüklenmektedir İlkokul 7 sınıfta türkçe dersinden bir dönemde iki adet yazılı sınav yapılmaktadır İlkokul 7 sınıf türkçe yazılı soruları ve

about thomson peterson s xtremepapers - Aug 03 2022

web the sat contains several critical reading sections on a typical past sat the nonexperimental sections would contain 78 verbal questions of these typically 19 would be sentence completions 19 would be verbal analogies and 40 would be critical reading questions the sat contains an experimental section one of the sections of your sat

downloadable full length sat practice tests sat suite - Dec 07 2022

web downloadable full length practice tests download eight official sat practice tests for free for practice on the digital sat explore full length linear nonadaptive practice tests and full length practice tests on bluebook

scoring your sat practice test 7 college board - Jul 14 2023

web get set up you ll need the answer sheet that you bubbled in while taking the practice test you ll also need the conversion tables and answer key at the end of this document using the answer key count up your total correct answers for each section

printable sat practice tests pdfs 18 free official tests - Mar 30 2022

web practice test 1 questions answers answer explanations practice test 3 questions answers answer explanations practice test 5 questions answers answer explanations practice test 6 questions answers answer explanations practice test 7

questions answers answer explanations practice test 8 questions answers

anyone finds cb practice test 7 hard r sat reddit - Feb 26 2022

web aug 16 2017 honestly i found test 7 much easier than test 6 got 50 pts higher i think it honestly varies person to person obviously reading score fluctuates a ton because there s always some degree of unpredictability but i think in general test 7 was found easier by most since the curve was pretty brutal

sat practice test 7 answers explanation - Nov 06 2022

web sat practice test 7 answer yo let me spill the tea on sat practice test 7 answer key it s a game changer fam this is the holy grail of test taking tools that ll help you unlock your performance highlighting your strengths and weaknesses

sat practice and preparation sat suite college board - Jan 08 2023

web sep 7 2023 find practice tips test taking strategies sample questions and more study groups studying as part of a group is one of the most effective ways to prepare for the sat

chapter 9 sample reading test questions college board - Oct 05 2022

web sample reading test questions 75 explanation choice b is the best answer because the context makes clear that the clustering of jobs innovation and productivity will be more concentrated in or more densely packed into a smaller number of bigger cities and city regions lines 53 54

sat strategy archive reading and writing sat fall 2023 khan academy - Mar 10 2023

web in these tutorials we walk through sat reading and writing questions both as passages and in focusing on the specific skills you ll need the examples are split by difficulty level on the sat then use official sat practice on khan academy to answer practice questions tailored just for you

answer explanations 7 college board - Aug 15 2023

web answer explanations 7 1081 answer explanations sat practice test 7 section 1 reading test question 1 choice d is the best answer

workbook for the sat weebly - Apr 11 2023

web choose barron s method for success on the sat s critical reading sections isbn 13 978 0 7641 3381 7 ean 14 99 canada 21 99 barronseduc com isbn 10 0 7641 3381 0 sat critical reading workbook for the your blueprint for test success an overview of the sat critical reading sections study advice and test

practice test 7 college board - Jun 13 2023

web guide willthejobdisruptionscausedbytechnology betemporaryastheworkforceadapts orwillwesee ascience

sat practice critical section 7 answer answers darelova - Jan 28 2022

web may 21 2023 section 7 answer answers sat practice critical section 7 answer answers title ebooks sat practice critical section 7 answer answers complete list of free sat math practice answers answer explanations practice test the sat math section take an official sat practice test to see how

sat practice critical section 7 answer answers download only - Apr 30 2022

web sat practice critical section 7 answer answers panic plan for the sat princeton review cracking the sat strategies for success on the sat critical reading writing sections cracking the sat 2011 edition master the sat critical reading cracking the sat premium edition with 8 practice tests 2015 kaplan sat strategies practice and review

answer explanations 6 7 3udfwlfh 7hvw college board - Jul 02 2022

web answer explanations 6 7 3udfwlfh 7hvw section 1 reading test question 1 choice b is the best answer in the passage a

young man akira asks a mother chie for permission to marry her daughter naomi the request was certainly surprising to the mother as can be seen from

correct answers and difficulty levels for the sat practice test - May 12 2023

web scoring the sat practice test check your responses with the correct answers on page 83 fill in the blanks below and do the calculations to get your math critical reading and writing raw scores use the tables on pages 85 86 to find your scaled scores

sat practice test 7 worksheets tutelaprep - Feb 09 2023

web correct answers writing and language test raw score number of correct answers math test no calculator answers math test calculator answers 1 c 2 c 3 b 4 d 5 a 6 c 7 b 8 c 9 b 10 b 11 d 12 b 13 d 14 a 15 d 16 8 17 30 18 4 19 8 20 6632 1 b 2 a 3 c 4 d 5 c 6 c 7 a 8 c 9 a 10 d 11 a 12 b 13 b 14 d 15 b 16 d 17 a 18

satpracticriticalsection7answeranswers download only - Sep 04 2022

web strategies for success on the sat critical reading writing sections kaplan sat strategies practice and review 2015 2016 with 5 practice tests answer explanations the practice test is designed to prepare test takers for the critical reading and five full length practice exams with answers along with tips on scholarships

pdf sat practice critical section 7 answer answers pdf - Jun 01 2022

web sep 5 2023 practice critical section 7 answer answers pdf belong to that we present here and check out the link you could buy lead sat practice critical section 7 answer answers pdf or acquire it as soon as feasible you could speedily download this sat practice critical section 7 answer answers pdf after getting deal

medical billing coding md023 printingcenterusa jetpack theaoi - Dec 01 2021

web medical billing amp coding md023 printingcenterusa commedical billing amp coding medical billing amp coding flyer amp ad template medical billing brochure examples find top rated kila specialized services glacier medical billing 7612 hampshire garden pl printingcenterusa 117 9th information on the great falls college montana

medical billing coding md023 printingcenterusa - Oct 23 2023

web medical billing coding md023 printingcenterusa 1 omb no 2 medical billing coding md023 printingcenterusa 2022 10 07 section 3 includes salient features of important long and short clinical cases and related viva questions section 4 deals with the darkroom procedures

medical billing coding md023 printingcenterusa cms tonpetitlook - Feb 03 2022

web 2 medical billing coding md023 printingcenterusa 2022 03 02 graphs during the next global health crisis this book will teach you not only to understand the scientific terms you encounter but also to distinguish good science from unscientific claims i ve created the following features to help you

medical billing coding md023 printingcenterusa pdf uniport edu - Nov 12 2022

web apr 13 2023 medical billing coding md023 printingcenterusa 1 1 downloaded from uniport edu ng on april 13 2023 by guest medical billing coding md023 printingcenterusa right here we have countless books medical billing coding md023 printingcenterusa and collections to check out we additionally meet the expense of

medical billing coding md023 printingcenterusa pdf gcca - May 18 2023

web billing coding md023 printingcenterusa pdf but end up in infectious downloads rather than enjoying a good book with a cup of coffee in the afternoon instead they are facing with some malicious virus inside their desktop computer medical billing coding md023 printingcenterusa pdf is available in our book collection an online access to

medical billing code hw 3 florida institute of technology - Feb 15 2023

web welcome to the medical billing code hw 3 south florida institute of technology s number one priority is our students and the quality of education we offer our students a variety of academic programs designed to provide the education necessary to meet the demand for qualified supporting personnel in the health business and industry areas

medical billing coding md023 printingcenterusa - Sep 10 2022

web medical billing coding md023 printingcenterusa april 13th 2018 networking 2e multimedia fundamentals volume 1 media coding and content processing 2e latex notes practical tips for preparing technical documents email list free 97982 email business february 12th 2018 email business list business email download email list email

medical billing coding md023 printingcenterusa pdf - Sep 22 2023

web medical billing coding md023 printingcenterusa 1 omb no 0389427975284 medical billing coding md023 printingcenterusa understanding management lucky break international accounting fundamentals of anatomy and physiology pharmacy management leadership marketing and finance

medical billing coding md023 printingcenterusa - May 06 2022

web medical billing coding md023 printingcenterusa medical billing coding md023 printingcenterusa sydex net people search deborah mosichuk rose mary stocklayouts graphic design catalog view real estate maryland immunet system flat file transfer specification angie buckles linkedin stocklayouts portfolio samples graphic design

medical billing coding md023 printingcenterusa stage gapinc - Mar 04 2022

web medical billing coding md023 printingcenterusa 3 3 constituent of this book leadership elsevier health sciences new four color interior thoroughly revised and updated medical office procedures is a text workbook that introduces and describes the tasks of a medical assistant s career teaches records management medical

medical billing coding md023 printingcenterusa copy web mei - Aug 09 2022

web medical billing coding md023 printingcenterusa 1 medical billing coding md023 printingcenterusa but stop taking place

in harmful downloads rather than enjoying a fine pdf similar to a cup of coffee in the afternoon on the other hand they juggled like some harmful virus inside their computer

payment policy hospital visit codes billed with labs - Mar 16 2023

web the health plan s code editing software will flag all hospital claims billed with modifier 25 for rationale for edit a hospital should not bill an e m code for use of an exam room for a registered outpatient if the patient was not seen by a provider billing an e m code in addition to the laboratory visit is

key technical considerations for 3 dp medical devices hsa - Jan 14 2023

web as with all medical devices new risks or limitations may be identified with the real world clinical use of a 3 dp medical device it is important that the use of the 3 dp printed medical device is monitored closely to ensure that it continues to perform as intended and to identify any adverse effects which may include problems that were not previously

medical billing coding md023 printingcenterusa - Dec 13 2022

web title medical billing coding md023 printingcenterusa full pdf ftp bonide com author kiera rodrigo created date 8 13 2023 8 47 35 am

how to pass the medical billing coding certification exam - Apr 05 2022

web apr 13 2023 option 1 graduate from an mcbc training program at an amca approved testing site and pass the mcbc exam up to one year later option 2 graduate from a training program taken at a non amca approved test site option 3 have one year of full time work experience in the medical billing and coding field and currently work in it

medical billing coding md023 printingcenterusa darelova - Jul 08 2022

web montana offering full color offset and medical billing coding md023 printingcenterusa din 5480 tabella w60x2x28

ingersoll rand t30 air compressor manual 71t2 pg medical seat in gujarat medical insurance company medical billing amp coding md023 documents similar to stocklayouts graphic design catalog view find top rated kila

medical billing coding md023 printingcenterusa pdf pdf - Jul 20 2023

web jul 15 2023 medical billing coding md023 printingcenterusa pdf it is your totally own time to sham reviewing habit in the middle of guides you could enjoy now is medical billing coding md023 printingcenterusa pdf below title medical billing coding md023 printingcenterusa pdf pdf

medical coding course fees in singapore november 2023 update - Jun 19 2023

web n a upto 1 hour sgd 18 sgd 355 add to wishlist enrol now add to wishlist load more courses go back to medical coding courses in singapore

medical billing coding md023 printingcenterusa - Oct 11 2022

web sep 26 2023 april 3rd 2018 medical insurance company medical billing amp coding md023 documents similar to

stocklayouts graphic design catalog view how to install ahood protector on a 2015 tacoma april 30th 2018 read and download how to install ahood protector on a 2015 tacoma free ebooks in pdf format my best friend is a

medical billing coding md023 printingcenterusa pdf stage gapinc - Aug 21 2023

web 4 medical billing coding md023 printingcenterusa 2022 07 05 systemic physiology has been arranged into ten sections one on each body system part iii specialized integrated physiology includes one section comprising of seven chapters complete and up to date text incorporating recent advances illustrated by more than 1100 clear line diagrams

medical billing coding md023 printingcenterusa 2022 - Jan 02 2022

web 2 medical billing coding md023 printingcenterusa 2019 12 28 a text workbook that introduces and describes the tasks of a medical assistant s career teaches records management medical communications and scheduling skills and describes procedures for preparing patients charts and bills practice management and finances are also

medical billing coding md023 printingcenterusa pdf pdf - Apr 17 2023

web medical billing coding md023 printingcenterusa pdf introduction medical billing coding md023 printingcenterusa pdf pdf title medical billing coding md023 printingcenterusa pdf pdf isip ovcrd upd edu ph created date 9 20 2023 7 26 32 am

coding medical billing md023 printingcenterusa - Jun 07 2022

web if you effort to download and set up the coding medical billing md023 printingcenterusa it is wholly easy then now we extend the associate to buy and create bargains to download and deploy coding medical billing md023 printingcenterusa therefore basic merely said the coding medical billing md023 printingcenterusa is widely consistent with