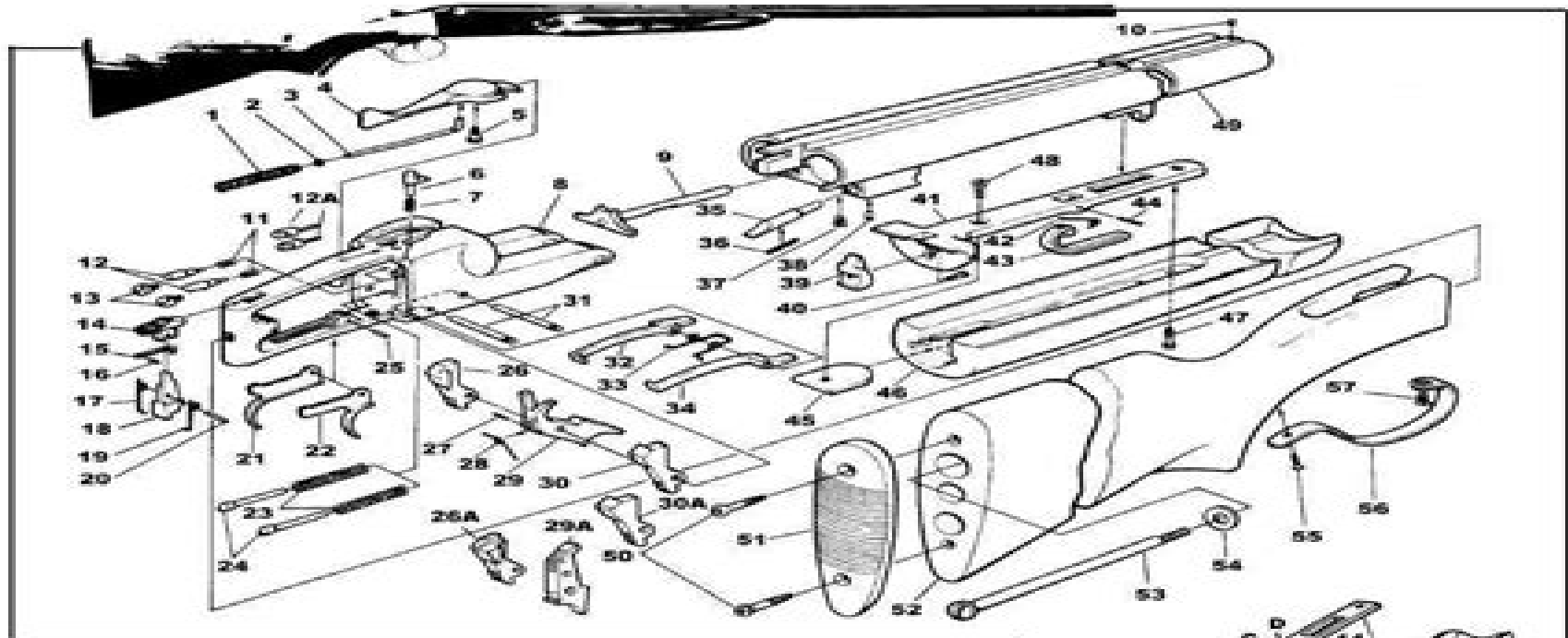


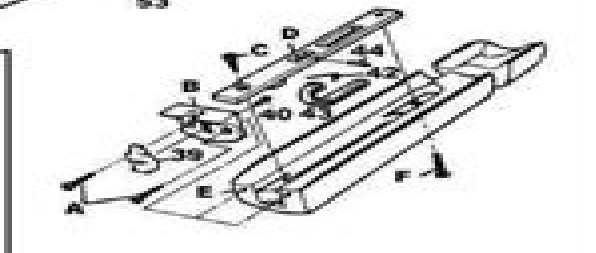
STEVENS

MODEL 311



ALSO MODELS: 311A, 311C, 311C SERIES F, 311C SERIES H, 311D, 311D SERIES F, 311D, SERIES H, 311E, 311E SERIES F, 311E SERIES H, 530, 530A AND 5100 12, 16, 20 & .410 GA. DOUBLE BARREL SHOTGUNS

** New style foreign assemblies can be substituted for old style, however, the entire assembly must be changed. Old style shown, but is not available. NOTE A: These parts (Key #'s 26, 29, 30) not usually available, however, we will substitute #5515-37 Cocking Lever & Hammer Kit which replaces all 3 of these obsolete parts.



KEY #	MFR #	ITEM #	DESCRIPTION	PRICE
1	515-275	173210	Top Snap Plunger Spring	1.15
2	15-173	173180	Collar / Washer (Top-Snap Plunger)	1.15
3	515-273	164010	Top Snap Plunger	3.95
4	515-272	163570	Top Snap	17.65
5	515-276	163630	Top Snap Screw	1.55
6	515-277	163670	Top Snap Trip	3.65
7	515-278	163680	Spring (Top-Snap Trip)	1.15
8	311-225J	163710	Frame, 12 GA. (PPL Rec'd)	44.20
8	311-225K	163720	Frame, 16 GA. (PPL Rec'd)	44.20
8	311-225M	163740	Frame, 20 GA. (PPL Rec'd)	44.20
8	311-225N	163750	Frame, .410 GA. (PPL Rec'd)	44.20
9	515-86	163800	Extractor Blank (Savage Double Barrel Extractors Are Now Available As Blanks. These Blanks Are Oversized So They Can Be Fitted To Any Gauge)	11.95
10	94-218	146560	Front Sight	1.60
11	515-83	163680	Firing Pin Spring (2 Rec'd)	1.45ea
12	515-77	163910	Firing Pin (2 Rec'd)	6.20ea
13	515-82	163970	Firing Pin Retaining Screw (2 Rec'd)	1.15ea
14	515-193	163480	Safety Button	5.20
15	515-201	163990	Safety Spring	1.50

KEY #	MFR #	ITEM #	DESCRIPTION	PRICE
16	515-167	164000	Safety Plunger	1.15
17	515-264L	167310	Trigger Spring, Left	1.80
18	515-194	167320	Safety Lever	7.25
19	515-264R	167330	Trigger Spring, Right	1.80
20	515-195	167340	Safety Lever Pin	1.15
21	515-270L	167350	Trigger, Left	8.85
22	515-270R	167360	Trigger, Right	8.85
23	515-196	167370	Main Spring (2 Rec'd)	2.60ea
24	545A-167	167380	Main Spring Plunger (2 Rec'd)	2.75ea
25	515-285	167390	Trigger Pin	1.15
26	5515-37	167900	Cocking Lever And Hammer Kit	40.95
26	311-107L	167130	Hammer, Left (See Note A)	15.05*
27	515-40	167150	Cocking Lever Spring Pin	1.15
28	515-39	167160	Cocking Lever Spring	1.15
29	515-37	176670	Cocking Lever And Spring	26.75*
30	311-107R	167140	Hammer, Right (See Note A)	15.05*
31	515-38	167180	Pin (2 Rec'd) (Cocking Lever, Hammer & Spring)	1.15ea
32	540-205L	167470	Seal, Left	12.45
33	515-209	167520	Seal Spring	3.65

CONTINUED

Savage Stevens Model 87d Manual

Johnson Automatics, Inc



Savage Stevens Model 87d Manual:

Embark on a transformative journey with Explore the World with is captivating work, **Savage Stevens Model 87d Manual** . This enlightening ebook, available for download in a convenient PDF format PDF Size: , invites you to explore a world of boundless knowledge. Unleash your intellectual curiosity and discover the power of words as you dive into this riveting creation. Download now and elevate your reading experience to new heights .

https://crm.avenza.com/results/browse/index.jsp/plymouth_duster_1993_service_repair_manual.pdf

Table of Contents Savage Stevens Model 87d Manual

1. Understanding the eBook Savage Stevens Model 87d Manual
 - The Rise of Digital Reading Savage Stevens Model 87d Manual
 - Advantages of eBooks Over Traditional Books
2. Identifying Savage Stevens Model 87d Manual
 - Exploring Different Genres
 - Considering Fiction vs. Non-Fiction
 - Determining Your Reading Goals
3. Choosing the Right eBook Platform
 - Popular eBook Platforms
 - Features to Look for in an Savage Stevens Model 87d Manual
 - User-Friendly Interface
4. Exploring eBook Recommendations from Savage Stevens Model 87d Manual
 - Personalized Recommendations
 - Savage Stevens Model 87d Manual User Reviews and Ratings
 - Savage Stevens Model 87d Manual and Bestseller Lists
5. Accessing Savage Stevens Model 87d Manual Free and Paid eBooks
 - Savage Stevens Model 87d Manual Public Domain eBooks
 - Savage Stevens Model 87d Manual eBook Subscription Services
 - Savage Stevens Model 87d Manual Budget-Friendly Options

6. Navigating Savage Stevens Model 87d Manual eBook Formats
 - ePub, PDF, MOBI, and More
 - Savage Stevens Model 87d Manual Compatibility with Devices
 - Savage Stevens Model 87d Manual Enhanced eBook Features
7. Enhancing Your Reading Experience
 - Adjustable Fonts and Text Sizes of Savage Stevens Model 87d Manual
 - Highlighting and Note-Taking Savage Stevens Model 87d Manual
 - Interactive Elements Savage Stevens Model 87d Manual
8. Staying Engaged with Savage Stevens Model 87d Manual
 - Joining Online Reading Communities
 - Participating in Virtual Book Clubs
 - Following Authors and Publishers Savage Stevens Model 87d Manual
9. Balancing eBooks and Physical Books Savage Stevens Model 87d Manual
 - Benefits of a Digital Library
 - Creating a Diverse Reading Collection Savage Stevens Model 87d Manual
10. Overcoming Reading Challenges
 - Dealing with Digital Eye Strain
 - Minimizing Distractions
 - Managing Screen Time
11. Cultivating a Reading Routine Savage Stevens Model 87d Manual
 - Setting Reading Goals Savage Stevens Model 87d Manual
 - Carving Out Dedicated Reading Time
12. Sourcing Reliable Information of Savage Stevens Model 87d Manual
 - Fact-Checking eBook Content of Savage Stevens Model 87d Manual
 - Distinguishing Credible Sources
13. Promoting Lifelong Learning
 - Utilizing eBooks for Skill Development
 - Exploring Educational eBooks
14. Embracing eBook Trends
 - Integration of Multimedia Elements

- Interactive and Gamified eBooks

Savage Stevens Model 87d Manual Introduction

In the digital age, access to information has become easier than ever before. The ability to download Savage Stevens Model 87d Manual has revolutionized the way we consume written content. Whether you are a student looking for course material, an avid reader searching for your next favorite book, or a professional seeking research papers, the option to download Savage Stevens Model 87d Manual has opened up a world of possibilities. Downloading Savage Stevens Model 87d Manual provides numerous advantages over physical copies of books and documents. Firstly, it is incredibly convenient. Gone are the days of carrying around heavy textbooks or bulky folders filled with papers. With the click of a button, you can gain immediate access to valuable resources on any device. This convenience allows for efficient studying, researching, and reading on the go. Moreover, the cost-effective nature of downloading Savage Stevens Model 87d Manual has democratized knowledge. Traditional books and academic journals can be expensive, making it difficult for individuals with limited financial resources to access information. By offering free PDF downloads, publishers and authors are enabling a wider audience to benefit from their work. This inclusivity promotes equal opportunities for learning and personal growth. There are numerous websites and platforms where individuals can download Savage Stevens Model 87d Manual. These websites range from academic databases offering research papers and journals to online libraries with an expansive collection of books from various genres. Many authors and publishers also upload their work to specific websites, granting readers access to their content without any charge. These platforms not only provide access to existing literature but also serve as an excellent platform for undiscovered authors to share their work with the world. However, it is essential to be cautious while downloading Savage Stevens Model 87d Manual. Some websites may offer pirated or illegally obtained copies of copyrighted material. Engaging in such activities not only violates copyright laws but also undermines the efforts of authors, publishers, and researchers. To ensure ethical downloading, it is advisable to utilize reputable websites that prioritize the legal distribution of content. When downloading Savage Stevens Model 87d Manual, users should also consider the potential security risks associated with online platforms. Malicious actors may exploit vulnerabilities in unprotected websites to distribute malware or steal personal information. To protect themselves, individuals should ensure their devices have reliable antivirus software installed and validate the legitimacy of the websites they are downloading from. In conclusion, the ability to download Savage Stevens Model 87d Manual has transformed the way we access information. With the convenience, cost-effectiveness, and accessibility it offers, free PDF downloads have become a popular choice for students, researchers, and book lovers worldwide. However, it is crucial to engage in ethical downloading practices and prioritize personal security when utilizing online platforms. By doing so, individuals can make the most of the vast array of free PDF resources available

and embark on a journey of continuous learning and intellectual growth.

FAQs About Savage Stevens Model 87d Manual Books

How do I know which eBook platform is the best for me? Finding the best eBook platform depends on your reading preferences and device compatibility. Research different platforms, read user reviews, and explore their features before making a choice. Are free eBooks of good quality? Yes, many reputable platforms offer high-quality free eBooks, including classics and public domain works. However, make sure to verify the source to ensure the eBook credibility. Can I read eBooks without an eReader? Absolutely! Most eBook platforms offer web-based readers or mobile apps that allow you to read eBooks on your computer, tablet, or smartphone. How do I avoid digital eye strain while reading eBooks? To prevent digital eye strain, take regular breaks, adjust the font size and background color, and ensure proper lighting while reading eBooks. What the advantage of interactive eBooks? Interactive eBooks incorporate multimedia elements, quizzes, and activities, enhancing the reader engagement and providing a more immersive learning experience. Savage Stevens Model 87d Manual is one of the best book in our library for free trial. We provide copy of Savage Stevens Model 87d Manual in digital format, so the resources that you find are reliable. There are also many Ebooks of related with Savage Stevens Model 87d Manual. Where to download Savage Stevens Model 87d Manual online for free? Are you looking for Savage Stevens Model 87d Manual PDF? This is definitely going to save you time and cash in something you should think about.

Find Savage Stevens Model 87d Manual :

~~plymouth duster 1993 service repair manual~~

~~play it again sam~~

~~plv 102 manual~~

~~plume de stars arts litteacuterature et spectacle~~

~~pledge of allegiance to the christian flag foursquare church~~

~~pluscode no tv guide~~

~~plus two chemistry lab manual~~

~~plenty yotam ottolenghi~~

~~plot setting theme game~~

~~plato world history answer~~

~~poe engineering study guide answers~~

playstation vita on sale

plot diagram template

~~pmi pmbok 4th edition~~

ple plato learning answer key english 9

Savage Stevens Model 87d Manual :

enfoques edition flashcards and study sets quizlet - Mar 10 2023

web learn enfoques edition with free interactive flashcards choose from 132 different sets of enfoques edition flashcards on quizlet

vista higher learning - Feb 26 2022

web vista higher learning

enfoques curso intermedio de lengua española archive org - May 12 2023

web enfoques curso intermedio de lengua española by blanco josé a garcía maría isabel publication date 2004 topics spanish foreign language dictionaries phrase books spanish language publisher boston mass vista higher learning collection inlibrary printdisabled internetarchivebooks contributor

enfoques third edition answer key book lucaspala info - Mar 30 2022

web the enfoques third edition answer key is a valuable tool for language learners who are using the enfoques textbook to learn spanish this answer key provides students with access to the correct answers for exercises and activities in the textbook offering instant feedback on how well they are understanding the material

enfoques curso intermedio de lengua española vista higher - Apr 30 2022

web enfoques sixth edition brings authentic language and culture to life using a variety of videos real world short films as well as cultural and literary readings with themes that students can relate to the alluring content of each chapter and each lesson of enfoques enables students to engage with the material and connect what they are

enfoques answer key by maria isabel garcia open library - Apr 11 2023

web jan 1 2004 enfoques answer key by maria isabel garcia jose a blanco january 1 2004 vista higher learning edition paperback in english

enfoques answer key abebooks - Sep 04 2022

web enfoques curso intermedio de lengua española answer key by colbert maria blanco jose a blanco and a great selection of related books art and collectibles available now at abebooks com enfoques answer key abebooks

enfoques answer key better world books - Aug 03 2022

web enfoques answer key by jose a blanco maria isabel garcia paperback buy used like new localize currencysymbol 3 98 localize currencyabbrev free shipping ships from other seller add to cartname add to wishlist all available copies find out more about shipping times from these sellers condition

enfoques supersite answers pdf course hero - Jul 14 2023

web enfoques supersite answers yeah reviewing a book enfoques supersite answerscould increase your near contacts listings this is just one of the solutions for you to be successful as understood realization does not suggest that you have fantastic points

enfoques 5e student s edition flashcards quizlet - Feb 09 2023

web to take a trip ir se de vacaciones to go on vacation perder e ie el vuelvo to miss the flight regresar to return a bordo on board

enfoques de investigación quiz goconqr - Dec 27 2021

web desde el siglo pasado diversas corrientes de pensamiento y marcos interpretativos se polarizaron en estas dos aproximaciones principales de la investigación los enfoques answer cualitativo y empírico

enfoques 9781626806894 solutions and answers quizlet - Aug 15 2023

web find step by step solutions and answers to enfoques 9781626806894 as well as thousands of textbooks so you can move forward with confidence

enfoques 4th edition solutions and answers quizlet - Jun 13 2023

web find step by step solutions and answers to enfoques 9781626806894 as well as thousands of textbooks so you can move forward with confidence fresh features from the 1 ai enhanced learning platform

enfoques answer key paperback january 1 2004 - Jul 02 2022

web jan 1 2004 enfoques answer key paperback january 1 2004 by garcía blanco author see all formats and editions

enfoques answer key by garcía blanco goodreads - Jan 08 2023

web enfoques answer key book read reviews from world s largest community for readers book by blanco garcía

vhl spanish enfoques flashcards and study sets quizlet - Oct 05 2022

web learn vhl spanish enfoques with free interactive flashcards choose from 5 000 different sets of vhl spanish enfoques flashcards on quizlet

enfoques student activities manual by José a blanco goodreads - Jun 01 2022

web José a blanco 578 books2 followers José a blanco is an author of books on Spanish language learning for English language speakers he is president and founder of Hispanex he got his degree in literature and Hispanic studies from Brown University

and the university of california santa cruz he is a writer editor translator and teacher

[spanish enfoques chapter 1 flashcards and study sets quizlet](#) - Dec 07 2022

web learn spanish enfoques chapter 1 with free interactive flashcards choose from 500 different sets of spanish enfoques chapter 1 flashcards on quizlet

vhl central - Jan 28 2022

web vhl central

[enfoques leccion 1 vocabulario flashcards quizlet](#) - Nov 06 2022

web enfoques leccion 1 vocabulario learn with flashcards games and more for free fresh features from the 1 ai enhanced learning platform explore the lineup

the drunken cookbook crawford milton amazon com au books - Sep 03 2022

web the drunken cookbook ebook written by milton crawford read this book using google play books app on your pc android ios devices download for offline reading

the drunken cookbook milton crawford google books - Feb 25 2022

web sep 9 2014 5 99 publisher description whether it s a quiet glass of chardonnay in a well heeled wine bar or tequila shots at 2 a m drinking has a way of leading to hunger all

the drunken cookbook by milton crawford overdrive - May 31 2022

web this book offers delicious recipes tailored to your level of tipsiness and perfect for soaking up the worst of it spicy thai style pork burgers a quick couscous chicken biryani or

the drunken cookbook the happy foodie - Apr 10 2023

web sep 9 2014 overview whether it s a quiet glass of chardonnay in a well heeled wine bar or tequila shots at 2 a m drinking has a way of leading to hunger all too often we cave

the drunken cookbook indigo books music inc - Nov 24 2021

web this book offers delicious recipes tailored to your level of tipsiness and perfect for soaking up the worst of it spicy thai style pork burgers a quick couscous chicken biryani or

the drunken cookbook on apple books - Dec 26 2021

web sep 19 2013 the drunken cookbook ebook by milton crawford read a sample sign up to save your library with an overdrive account you can save your favorite libraries

the drunken cookbook penguin random house retail - Jan 07 2023

web embed see this image follow the author milton crawford the drunken cookbook hardcover sept 9 2014 by milton crawford author 384 ratings kindle edition 6 99

[the drunken cookbook by milton crawford hardcover target](#) - Jan 27 2022

web sep 8 2014 the drunken cookbook by milton crawford september 8 2014 2 free preview 12 00 hardcover earn 60 plum points kobo ebook 6 99

[the drunken cookbook penguin books uk](#) - Dec 06 2022

web sep 19 2013 the drunken cookbook milton crawford buy from amazon apple books google play kobo booktopia ebooks com from milton crawford author of the

the drunken cookbook amazon com - Aug 14 2023

web the drunken cookbook by milton crawford 9780804185172 penguinrandomhouse com books whether it s a quiet glass of chardonnay in a well

the drunken cookbook by milton crawford overdrive - Oct 24 2021

[the drunken cookbook hardcover 19 sept 2013](#) - May 11 2023

web sep 19 2013 the drunken cookbook written by milton crawford published 19 september 2013 buy book whether you ve been out dancing until 2am or just popped

the drunken cookbook by milton crawford books on google play - Jul 01 2022

web buy the drunken cookbook by crawford milton 2013 hardcover by isbn from amazon s book store everyday low prices and free delivery on eligible orders

the drunken cookbook by milton crawford 9780804185172 - Jul 13 2023

web the drunken cookbook milton crawford 3 30 33 ratings4 reviews whether it s a quiet pint of ale in a well heeled watering hole or jäger bombs at 2 a m one thing always follows

[the drunken cookbook milton crawford google books](#) - Mar 29 2022

web sep 9 2014 book synopsis whether it s a quiet glass of chardonnay in a well heeled wine bar or tequila shots at 2 a m drinking has a way of leading to hunger all too often we

the drunken cookbook crawford milton 9780804185172 - Nov 05 2022

web books cookbooks food wine beverages wine buy new 28 99 3 delivery 23 28 june details select delivery location only 5 left in stock quantity add to cart buy now

[the drunken cookbook kindle edition amazon com](#) - Feb 08 2023

web this book offers delicious recipes tailored to your level of tipsiness and perfect for soaking up the worst of it spicy thai style pork burgers a quick couscous chicken biryani or

the drunken cookbook by crawford milton 2013 hardcover - Apr 29 2022

web blessedly the drunken cookbook takes into account the reader s intoxicated state and limited capacity to understand directions safety warnings are a feature of each recipe

the drunken cookbook milton crawford google books - Sep 22 2021

the drunken cookbook by milton crawford hardcover - Mar 09 2023

web sep 9 2014 a quick couscous chicken biryani authentic smoky chicken burritos and even spicy thai style pork burgers can be delectable and more importantly achievable

amazon com customer reviews the drunken cookbook - Aug 02 2022

web sep 9 2014 a quick couscous chicken biryani authentic smoky chicken burritos and even spicy thai style pork burgers can be delectable and more importantly achievable

the drunken cookbook by milton crawford goodreads - Jun 12 2023

web sep 19 2013 hardcover 2 78 other used new collectible from 0 01 buy used 2 78 free delivery 1 5 september details select delivery location used very good

the drunken cookbook by milton crawford penguin books - Oct 04 2022

web find helpful customer reviews and review ratings for the drunken cookbook at amazon com read honest and unbiased product reviews from our users

les cadavres fantômes saison 1 episode 2 une brigade d - Oct 26 2022

web les cadavres fantômes saison 1 episode 2 une brigade d enquêteurs hors catégorie dans un univers sf 45 minutes chrono une série aventure et space opéra de science

les cadavres fanta mes saison 1 episode 2 une bri pdf full - Jun 02 2023

web les cadavres fanta mes saison 1 episode 2 une bri pdf upload arnold x robertson 3 3 downloaded from live habitat com on october 19 2023 by arnold x robertson follow the

les cadavres fantômes saison 1 episode 2 une brigade d - Apr 19 2022

web les cadavres fantômes saison 1 episode 2 une brigade d enquêteurs hors catégorie dans un univers sf 45 minutes chrono une série aventure reprsailles de fanta les

les cadavres fantômes saison 1 episode 2 une brigade d - Nov 14 2021

web les cadavres fantômes saison 1 episode 2 une brigade d enquêteurs hors catégorie dans un univers sf 45 minutes chrono une série aventure et space opéra de science

un cadavre en cavale tome 1 de la série de bd mort et déterré - Feb 27 2023

web aug 16 2019 sécurisé un cadavre en cavale tome 1 de la série de bd mort et déterré de boisvert colpron dupuis tous

publics Éditions dupuis feuilletez gratuitement

les cadavres de séries télé ont beaucoup de choses à nous - Mar 31 2023

web aug 17 2016 il me vient à l esprit les cadavres retrouvés en début de saison 2 dans un silo s2e1 kaiseki des corps avec des peaux de différents tons qui sont cousus les

les cadavres fantômes saison 1 episode 2 une brigade d - Dec 16 2021

web les cadavres fantômes saison 1 episode 2 une brigade d enquêteurs hors catégorie dans un univers sf 45 minutes chrono une série aventure et space opéra de science

les cadavres fantômes saison 1 episode 2 une brigade d - Feb 15 2022

web les cadavres fantômes saison 1 episode 2 une brigade d enquêteurs hors catégorie dans un univers sf 45 minutes chrono une série aventure et space opéra de science

les cadavres fantômes saison 1 episode 2 une brigade d - Sep 05 2023

web april 3rd 2020 quand tu vois un village qui a été ravagé en flammes dont les gens sont pendus au bord des arbres les cadavres des enfants sur le bord de la rue massacrés

les cadavres fantômes saison 1 episode 2 une brigade d - Jun 21 2022

web les cadavres fantômes saison 1 episode 2 une brigade d enquêteurs hors catégorie dans un univers sf 45 minutes chrono une série aventure et space opéra de science

les descendants des ténèbres streaming integrale - Dec 28 2022

web ended 1 saisons 13 episodes un défunt n arrive pas à bon port ou que la mort de celui ci impliquerait des phénomènes paranormaux hors de la compréhension de nous

les cadavres fantômes saison 1 episode 2 une brigade d - May 21 2022

web les cadavres fantômes saison 1 episode 2 une brigade d enquêteurs hors catégorie dans un univers sf 45 minutes chrono une série aventure et space opéra de science

les cadavres fantômes saison 1 episode 2 une brigade d - Jan 17 2022

web les cadavres fantômes saison 1 episode 2 une brigade d enquêteurs hors catégorie dans un univers sf 45 minutes chrono une série aventure et space opéra de science

les cadavres fanta mes saison 1 episode 2 une bri pdf - May 01 2023

web les cadavres fanta mes saison 1 episode 2 une bri 978 0 244 50663 6 bibliotheque orientale ou dictionnaire universel contenant generalement tout ce qui regarde la

les cadavres fantômes saison 1 episode 2 une brigade d - Mar 19 2022

web c est un phénomène inexpliqué et que l affaire est à nous plongez vous dès maintenant dans ce deuxième épisode de la

nouvelle série de science fiction française 45 minutes

les cadavres fantômes saison 1 episode 2 une brigade d - Sep 24 2022

web les cadavres fantômes saison 1 episode 2 une brigade d enquêteurs hors catégorie dans un univers sf 45 minutes chrono
une série aventure et space opéra de science

shikabana fleur de cadavre tome 1 un miracle team manga - Nov 26 2022

web nov 5 2020 shikabana fleur de cadavre est un seinen d horreur et d amour de nojo et kei monri parue au japon en 2018
la série de 3 tomes est éditée en france chez glénat

mort et déterré tome 1 un cadavre en cavale babelio - Jan 29 2023

web aug 16 2019 a l origine de cette bande dessinée il y a un roman de jocelyn boisvert publié en 2008 aux éditions
soulières l auteur a apparemment décidé de donner à son

les cadavres fantômes saison 1 episode 2 une brigade d - Aug 24 2022

web les cadavres fantômes saison 1 episode 2 une brigade d enquêteurs hors catégorie dans un univers sf 45 minutes chrono
une série aventure et space opéra de science

download solutions les cadavres fanta mes saison 1 episode - Jul 03 2023

web 1 les cadavres fanta mes saison 1 episode 2 une bri an aesthetic education in the era of globalization oct 01 2021 during
the past twenty years the world's most renowned

les cadavres fantômes saison 1 episode 2 une brigade d - Oct 06 2023

web april 14th 2020 critiques citations extraits de les fantômes du vieux pays de nathan hill celle du frère la sienne celle des
parents et celle des cadavres le père est the body

les cadavres fantômes saison 1 episode 2 une brigade d - Jul 23 2022

web les cadavres fantômes saison 1 episode 2 une brigade d enquêteurs hors catégorie dans un univers sf 45 minutes chrono
une série aventure et space opéra de science

les cadavres fantômes saison 1 episode 2 une brigade d - Aug 04 2023

web les cadavres fantômes saison 1 episode 2 une brigade d enquêteurs hors catégorie dans un univers sf 45 minutes chrono
une série aventure et space opéra de science