

# PHYSICAL SCIENCES P.1

# SCOPE

# GRADE 12

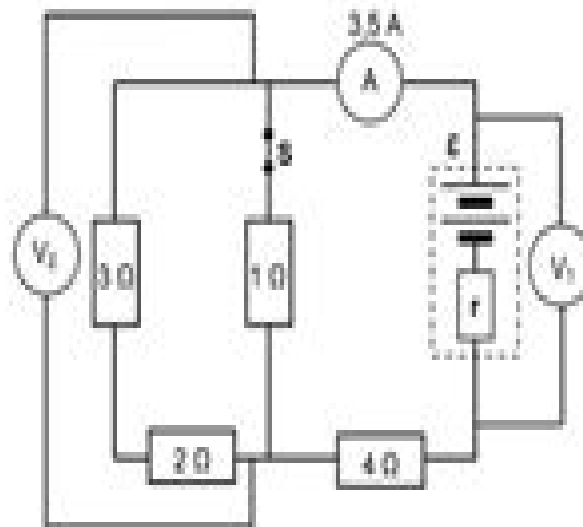
2024

## FINAL EXAM



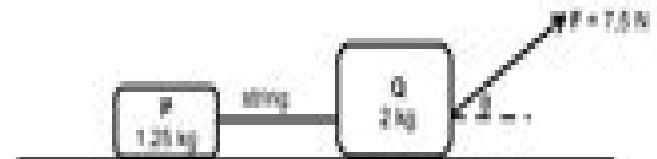
basic education

Department:  
Basic Education  
REPUBLIC OF SOUTH AFRICA



mass  $1.25 \text{ kg}$  is connected to another crate,  $Q$ , of mass  $2 \text{ kg}$  by a light string. The two crates are placed on a rough horizontal surface. A force  $F$  of magnitude  $7.5 \text{ N}$ , acting at angle  $\theta$  to the horizontal, is applied on shown in the diagram below.

accelerate at  $0.1 \text{ m s}^{-2}$  to the right.



# Scope For Physics Final Exam Paper 2 In 2014

**Vineet Kumar, Praveen Guleria, Nandita  
Dasgupta, Shivendu Ranjan**

## **Scope For Physics Final Exam Paper 2 In 2014:**

**Oswaal UPSC CSE Prelims 10 Previous Years' Solved Papers Year-Wise (2014-2023) General Studies Paper-II (CSAT) English Medium (For 2024 Exam)** Oswaal Editorial Board,2023-06-15 Description of the Product Extensive Practice with 900 previous years questions with detailed solutions 100% Updated with fully solved UPSC CSAT 2023 question paper 100% exam Readiness with answer keys Mapped with UPSC official answer keys Expert Guidance with Tips to Crack the UPSC CSAT examination Valuable Exam insight with UPSC CSAT 10 year subject wise Trend Analysis Concept clarity with Authentic elaborated and error free solutions **Oswaal UPSC CSE Prelims 10 Previous Years Solved Papers | General Studies | Paper 1 & 2 | Year-Wise 2014-2023 | Set Of 2 Books | For 2024 Exam** Oswaal Editorial Board,2024-02-26 Description of the Product Extensive Practice with 900 previous years questions with detailed solutions 100% Updated with fully solved UPSC CSAT 2023 question paper 100% exam Readiness with answer keys Mapped with UPSC official answer keys Expert Guidance with Tips to Crack the UPSC CSAT examination Valuable Exam insight with UPSC CSAT 10 year subject wise Trend Analysis Concept clarity with Authentic elaborated and error free solutions

**Advances in Engineering Materials, Structures and Systems: Innovations, Mechanics and Applications** Alphonse Zingoni,2019-08-21 Advances in Engineering Materials Structures and Systems Innovations Mechanics and Applications comprises 411 papers that were presented at SEMC 2019 the Seventh International Conference on Structural Engineering Mechanics and Computation held in Cape Town South Africa from 2 to 4 September 2019 The subject matter reflects the broad scope of SEMC conferences and covers a wide variety of engineering materials both traditional and innovative and many types of structures The many topics featured in these Proceedings can be classified into six broad categories that deal with i the mechanics of materials and fluids elasticity plasticity flow through porous media fluid dynamics fracture fatigue damage delamination corrosion bond creep shrinkage etc ii the mechanics of structures and systems structural dynamics vibration seismic response soil structure interaction fluid structure interaction response to blast and impact response to fire structural stability buckling collapse behaviour iii the numerical modelling and experimental testing of materials and structures numerical methods simulation techniques multi scale modelling computational modelling laboratory testing field testing experimental measurements iv innovations and special structures nanostructures adaptive structures smart structures composite structures bio inspired structures shell structures membranes space structures lightweight structures long span structures tall buildings wind turbines etc v design in traditional engineering materials steel concrete steel concrete composite aluminium masonry timber glass vi the process of structural engineering conceptualisation planning analysis design optimization construction assembly manufacture testing maintenance monitoring assessment repair strengthening retrofitting decommissioning The SEMC 2019 Proceedings will be of interest to civil structural mechanical marine and aerospace engineers Researchers developers practitioners and academics in these disciplines will find them

useful Two versions of the papers are available Short versions intended to be concise but self contained summaries of the full papers are in this printed book The full versions of the papers are in the e book [Rock Mechanics for Natural Resources and Infrastructure Development - Full Papers](#) Sergio A.B. Fontoura,Ricardo Rocca,José Mendoza,2019-09-03 Rock Mechanics for Natural Resources and Infrastructure Development contains the proceedings of the 14th ISRM International Congress ISRM 2019 Foz do Igua u Brazil 13 19 September 2019 Starting in 1966 in Lisbon Portugal the International Society for Rock Mechanics and Rock Engineering ISRM holds its Congress every four years At this 14th occasion the Congress brings together researchers professors engineers and students around contemporary themes relevant to rock mechanics and rock engineering Rock Mechanics for Natural Resources and Infrastructure Development contains 7 Keynote Lectures and 449 papers in ten chapters covering topics ranging from fundamental research in rock mechanics laboratory and experimental field studies and petroleum mining and civil engineering applications Also included are the prestigious ISRM Award Lectures the Leopold Muller Award Lecture by professor Peter K Kaiser and the Manuel Rocha Award Lecture by Dr Quinghua Lei Rock Mechanics for Natural Resources and Infrastructure Development is a must read for academics engineers and students involved in rock mechanics and engineering Proceedings in Earth and geosciences Volume 6 The Proceedings in Earth and geosciences series contains proceedings of peer reviewed international conferences dealing in earth and geosciences The main topics covered by the series include geotechnical engineering underground construction mining rock mechanics soil mechanics and hydrogeology [Value Based and Intelligent Asset Management](#) Adolfo Crespo Márquez,Marco Macchi,Ajith Kumar Parlikad,2019-06-29 The fundamental motivation of this book is to contribute to the future advancement of Asset Management in the context of industrial plants and infrastructures The book aims to foster a future perspective that takes advantage of value based and intelligent asset management in order to make a step forward with respect to the evolution observed nowadays Indeed the current understanding of asset management is primarily supported by well known standards Nonetheless asset management is still a young discipline and the knowledge developed by industry and academia is not set in stone yet Furthermore current trends in new organizational concepts and technologies lead to an evolutionary path in the field Therefore this book aims to discuss this evolutionary path starting first of all from the consolidated theory then moving forward to discuss The strategic understanding of value based asset management in a company An operational definition ofvalue as a concept on the background of value based asset management The identification of intelligent asset management with the aim to frame a set of tools recommended to support the asset related decision making process over the asset lifecycle The emergence of new technologies such as cyber physical systems and digital twins and the implications of this on asset management [Frontiers in Neurorobotics - Editor's Pick 2021](#) Florian Röhrbein,2021-06-24 [Physics of Radiation and Climate](#) Michael A. Box,Gail P. Box,2015-10-14 Our current climate is strongly influenced by atmospheric composition and changes in this composition are leading to climate change Physics of Radiation and Climate takes a look at

how the outward flow of longwave or terrestrial radiation is affected by the complexities of the atmosphere's molecular spectroscopy This book examines the planet in *Structures and Architecture* Paulo J. Cruz, 2016-10-14 Although the disciplines of architecture and structural engineering have both experienced their own historical development their interaction has resulted in many fascinating and delightful structures To take this interaction to a higher level there is a need to stimulate the inventive and creative design of architectural structures and to persuade architects and structural engineers to further collaborate in this process exploiting together new concepts applications and challenges This set of book of abstracts and full paper searchable CD ROM presents selected papers presented at the 3rd International Conference on Structures and Architecture Conference ICASA2016 organized by the School of Architecture of the University of Minho Guimaraes Portugal July 2016 to promote the synergy in the collaboration between the disciplines of architecture and structural engineering

*Encyclopedia of Gastroenterology*, 2019-11-06 *Encyclopedia of Gastroenterology* Second Edition Four Volume Set provides a comprehensive and concise reference on all aspects of gastroenterology and hepatology including the organs in the gastrointestinal system their functions in health and disease and strategies or procedures to resolve or prevent problems and disease This concise up to date information includes comprehensive sections on the impact of nutrition gastrointestinal microbiota lifestyle commonly used drugs and surgical procedures on health and disease Since the first edition attention to the roles of nutrition and gastrointestinal microorganisms microbiota formerly Microbiota in health and disease has skyrocketed In addition an entirely new section on obesity and diabetes is included Presents comprehensive coverage of every topic within gastroenterology Offers researchers a one stop fully referenced resource to explore questions Includes teaching tools multimedia and interactive elements Provides readers with multi layered content and a media rich learning resource for both instructors and students Covers hot new topics in GI health and disease including new sections on stem cells intestinal bacteria obesity and intestinal microbiota

[Snakes on a spaceship—An overview of python in space physics](#) Angeline G. Burrell, John Coxon, K.-Michael Aye, Leslie Lamarche, Sophie A Murray, 2023-07-20

**Frontiers in Physics - Rising Stars** Alex Hansen, Ewald Moser, Matjaž Perc, Lorenzo Pavesi, Rudolf von Steiger, Nicholas X. Fang, J. W. F. Valle, Jan De Boer, Christian F. Klingenberg, Laura Elisa Marcucci, Jasper Van Der Gucht, Alexandre M. Zagoskin, 2021-10-04

*Chemical Engineering III* Jiatao Zhang, 2013-11-29 *Chemical Engineering III* includes the proceedings of the 3rd SREE Conference on Chemical Engineering CCE 2013 Hong Kong 28-29 December 2013 and the 2nd SREE Workshop on Energy Environment and Engineering WEEE 2013 which was a part of CCE 2013 The contributions discuss current practical challenges and solutions in Chemical Engineering and

[Functionalized Nanomaterials](#) Vineet Kumar, Praveen Guleria, Nandita Dasgupta, Shivendu Ranjan, 2021-07-28 Nanomaterials contain some unique properties due to their nanometric size and surface functionalization Nanomaterial functionalization also affects their compatibility to biocompatibility and toxicity behaviors environment and living organism This makes functionalized

nanomaterials a material with huge scope and few challenges This book provides detailed information about the nanomaterial functionalization and their application Recent advancements challenges and opportunities in the preparation and applications of functionalized nanomaterials are also highlighted This book can serve as a reference book for scientific investigators doctoral and post doctoral scholars undergrad and grad This book is very useful for multidisciplinary researchers industry personnel s journalists and policy makers Features Covers all aspects of Nanomaterial functionalization and its applications Describes and methods of functionalized nanomaterials synthesis for different applications Discusses the challenges recent findings and cutting edge global research trends on functionalization of nanomaterials and its applications It discusses the regulatory frameworks for the safe use of functionalized nanomaterials It contains contributions from international experts from multiple disciplines

*Elisabeth of Bohemia (1618-1680): A Philosopher in her Historical Context* Sabrina Ebbesmeyer, Sarah Hutton, 2021-10-06 This book showcases Elisabeth of Bohemia Princess Palatine 1618 1680 one of the foremost female minds of the 17th century Best known today for her important correspondence with the philosopher Ren Descartes Elisabeth was famous in her own time for her learning philosophical acumen and mathematical brilliance She was also well connected in the seventeenth century intellectual circles Elisabeth s status as a woman philosopher is emblematic of both the possibilities and limitations of women s participation in the republic of letters and of their subsequent fate in history Few sources containing her own views survive and until recently there has been no work on Elisabeth as a thinker in her own right This volume brings together an international team of scholars to discuss her work from a cross disciplinary perspective on the occasion of her fourth centenary It is the first collection of essays to examine a range of her interests and to discuss them in relation to her historical context The studies presented here discuss her educational background her friendships and contacts her interest in politics religion and astronomy as well as her views on politics her moral philosophy and her engagement with Cartesianism The volume will appeal to historians of philosophy historians of political thought philosophers feminists and seventeenth century historians

Climate Change and Environmental Sustainability Bao-Jie He, Deo Prasad, Gloria Pignatta, Joni Jupesta, 2022-11-24 This book discusses the challenges related to climate change mitigation and adaptation It adds valuable strategies and insights into the development of new practices solving the identified social and economic problems related to ecosystem deterioration and anticipating other disasters related to climate change As the decarbonization of cities and communities became an issue of great interest to many researchers the book in hands will be of great importance to decision makers and energy stakeholders and others seeking a more resilient and sustainable future and developing innovative technologies to overcome environmental deterioration This book is a culmination of selected research papers from the first version of the international conference on Climate Change and Environmental Sustainability which was held in 2021 in collaboration with Chongqing University China

**Probabilistic Thinking** Egan J. Chernoff, Bharath Sriraman, 2013-12-05 This volume provides a necessary current and

extensive analysis of probabilistic thinking from a number of mathematicians mathematics educators and psychologists The work of 58 contributing authors investigating probabilistic thinking across the globe is encapsulated in 6 prefaces 29 chapters and 6 commentaries Ultimately the four main perspectives presented in this volume Mathematics and Philosophy Psychology Stochastics and Mathematics Education are designed to represent probabilistic thinking in a greater context

**Visualization and Verbalization of Data** Jorg Blasius, Michael Greenacre, 2014-04-10 Visualization and Verbalization of Data shows how correspondence analysis and related techniques enable the display of data in graphical form which results in the verbalization of the structures in data Renowned researchers in the field trace the history of these techniques and cover their current applications The first part of the book explains

**Seismoelectric Exploration** Niels Grobbe, André Revil, Zhenya Zhu, Evert Slob, 2020-10-08 Seismoelectric coupling and its current and potential future applications The seismoelectric method the naturally occurring coupling of seismic waves to electromagnetic fields can provide insight into important properties of porous media With a variety of potential environmental and engineering uses as well as larger scale applications such as earthquake detection and oil and gas exploration it offers a number of advantages over conventional geoEdit HTML Source physical methods Seismoelectric Exploration Theory Experiments and Applications explores the coupling between poroelastic and electromagnetic disturbances discussing laboratory experiments numerical modeling techniques recent theoretical developments and field studies Volume highlights include Physics of the seismoelectric effect at the microscale Governing equations describing coupled seismo electromagnetic fields Examples of successful seismoelectric field experiments in different geological settings Current and potential applications of seismoelectric coupling Noise removal techniques for seismoelectric field measurements The American Geophysical Union promotes discovery in Earth and space science for the benefit of humanity Its publications disseminate scientific knowledge and provide resources for researchers students and professionals

Quantum Interaction Harald Atmanspacher, Thomas Filk, Emmanuel Pothos, 2016-01-07 This book constitutes the thoroughly refereed post conference proceedings of the 9th International Conference on Quantum Interaction QI 2015 held in Filzbach Switzerland in July 2015 The 20 papers together with 2 invited keynotes presented in this book were carefully selected from 27 submissions Quantum Interaction has developed into an emerging interdisciplinary area of science combining research topics in mathematics physics psychology economics cognitive science and computer science

**Gravitational Lensing and Optical Geometry** Marcus C. Werner, 2020-12-08 The year 2019 saw the centenary of Eddington's eclipse expeditions and the corroboration of Einstein's general relativity by gravitational lensing To mark the occasion a Special Issue of Universe has been dedicated to the theoretical aspects of strong gravitational lensing The articles assembled in this volume contain original research and reviews and apply a variety of mathematical techniques that have been developed to study this effect both in 3 space and in spacetime These include Mathematical properties of the standard thin lens approximation in particular caustics Optical geometry the Gauss Bonnet method and related approaches Lensing in

the spacetime of general relativity and modified theories black hole shadows



## Whispering the Techniques of Language: An Emotional Journey through **Scope For Physics Final Exam Paper 2 In 2014**

In a digitally-driven world wherever displays reign great and immediate conversation drowns out the subtleties of language, the profound strategies and psychological nuances hidden within phrases often move unheard. However, located within the pages of **Scope For Physics Final Exam Paper 2 In 2014** a charming fictional value sporting with raw feelings, lies an extraordinary journey waiting to be undertaken. Written by a skilled wordsmith, this wonderful opus encourages viewers on an introspective trip, delicately unraveling the veiled truths and profound influence resonating within the cloth of each word. Within the mental depths with this emotional review, we shall embark upon a heartfelt exploration of the book is key subjects, dissect their captivating writing fashion, and fail to the effective resonance it evokes heavy within the recesses of readers hearts.

<https://crm.avenza.com/data/Resources/default.aspx/Revell%20Guided%20Missile%20Fleet%20Instriction%20Manual.pdf>

### **Table of Contents Scope For Physics Final Exam Paper 2 In 2014**

1. Understanding the eBook Scope For Physics Final Exam Paper 2 In 2014
  - The Rise of Digital Reading Scope For Physics Final Exam Paper 2 In 2014
  - Advantages of eBooks Over Traditional Books
2. Identifying Scope For Physics Final Exam Paper 2 In 2014
  - Exploring Different Genres
  - Considering Fiction vs. Non-Fiction
  - Determining Your Reading Goals
3. Choosing the Right eBook Platform
  - Popular eBook Platforms
  - Features to Look for in an Scope For Physics Final Exam Paper 2 In 2014
  - User-Friendly Interface
4. Exploring eBook Recommendations from Scope For Physics Final Exam Paper 2 In 2014
  - Personalized Recommendations

- Scope For Physics Final Exam Paper 2 In 2014 User Reviews and Ratings
- Scope For Physics Final Exam Paper 2 In 2014 and Bestseller Lists
- 5. Accessing Scope For Physics Final Exam Paper 2 In 2014 Free and Paid eBooks
  - Scope For Physics Final Exam Paper 2 In 2014 Public Domain eBooks
  - Scope For Physics Final Exam Paper 2 In 2014 eBook Subscription Services
  - Scope For Physics Final Exam Paper 2 In 2014 Budget-Friendly Options
- 6. Navigating Scope For Physics Final Exam Paper 2 In 2014 eBook Formats
  - ePub, PDF, MOBI, and More
  - Scope For Physics Final Exam Paper 2 In 2014 Compatibility with Devices
  - Scope For Physics Final Exam Paper 2 In 2014 Enhanced eBook Features
- 7. Enhancing Your Reading Experience
  - Adjustable Fonts and Text Sizes of Scope For Physics Final Exam Paper 2 In 2014
  - Highlighting and Note-Taking Scope For Physics Final Exam Paper 2 In 2014
  - Interactive Elements Scope For Physics Final Exam Paper 2 In 2014
- 8. Staying Engaged with Scope For Physics Final Exam Paper 2 In 2014
  - Joining Online Reading Communities
  - Participating in Virtual Book Clubs
  - Following Authors and Publishers Scope For Physics Final Exam Paper 2 In 2014
- 9. Balancing eBooks and Physical Books Scope For Physics Final Exam Paper 2 In 2014
  - Benefits of a Digital Library
  - Creating a Diverse Reading Collection Scope For Physics Final Exam Paper 2 In 2014
- 10. Overcoming Reading Challenges
  - Dealing with Digital Eye Strain
  - Minimizing Distractions
  - Managing Screen Time
- 11. Cultivating a Reading Routine Scope For Physics Final Exam Paper 2 In 2014
  - Setting Reading Goals Scope For Physics Final Exam Paper 2 In 2014
  - Carving Out Dedicated Reading Time
- 12. Sourcing Reliable Information of Scope For Physics Final Exam Paper 2 In 2014
  - Fact-Checking eBook Content of Scope For Physics Final Exam Paper 2 In 2014

- Distinguishing Credible Sources
- 13. Promoting Lifelong Learning
  - Utilizing eBooks for Skill Development
  - Exploring Educational eBooks
- 14. Embracing eBook Trends
  - Integration of Multimedia Elements
  - Interactive and Gamified eBooks

### **Scope For Physics Final Exam Paper 2 In 2014 Introduction**

In the digital age, access to information has become easier than ever before. The ability to download Scope For Physics Final Exam Paper 2 In 2014 has revolutionized the way we consume written content. Whether you are a student looking for course material, an avid reader searching for your next favorite book, or a professional seeking research papers, the option to download Scope For Physics Final Exam Paper 2 In 2014 has opened up a world of possibilities. Downloading Scope For Physics Final Exam Paper 2 In 2014 provides numerous advantages over physical copies of books and documents. Firstly, it is incredibly convenient. Gone are the days of carrying around heavy textbooks or bulky folders filled with papers. With the click of a button, you can gain immediate access to valuable resources on any device. This convenience allows for efficient studying, researching, and reading on the go. Moreover, the cost-effective nature of downloading Scope For Physics Final Exam Paper 2 In 2014 has democratized knowledge. Traditional books and academic journals can be expensive, making it difficult for individuals with limited financial resources to access information. By offering free PDF downloads, publishers and authors are enabling a wider audience to benefit from their work. This inclusivity promotes equal opportunities for learning and personal growth. There are numerous websites and platforms where individuals can download Scope For Physics Final Exam Paper 2 In 2014. These websites range from academic databases offering research papers and journals to online libraries with an expansive collection of books from various genres. Many authors and publishers also upload their work to specific websites, granting readers access to their content without any charge. These platforms not only provide access to existing literature but also serve as an excellent platform for undiscovered authors to share their work with the world. However, it is essential to be cautious while downloading Scope For Physics Final Exam Paper 2 In 2014. Some websites may offer pirated or illegally obtained copies of copyrighted material. Engaging in such activities not only violates copyright laws but also undermines the efforts of authors, publishers, and researchers. To ensure ethical downloading, it is advisable to utilize reputable websites that prioritize the legal distribution of content. When downloading Scope For Physics Final Exam Paper 2 In 2014, users should also consider the potential security risks associated with online platforms. Malicious actors

may exploit vulnerabilities in unprotected websites to distribute malware or steal personal information. To protect themselves, individuals should ensure their devices have reliable antivirus software installed and validate the legitimacy of the websites they are downloading from. In conclusion, the ability to download Scope For Physics Final Exam Paper 2 In 2014 has transformed the way we access information. With the convenience, cost-effectiveness, and accessibility it offers, free PDF downloads have become a popular choice for students, researchers, and book lovers worldwide. However, it is crucial to engage in ethical downloading practices and prioritize personal security when utilizing online platforms. By doing so, individuals can make the most of the vast array of free PDF resources available and embark on a journey of continuous learning and intellectual growth.

### **FAQs About Scope For Physics Final Exam Paper 2 In 2014 Books**

1. Where can I buy Scope For Physics Final Exam Paper 2 In 2014 books? Bookstores: Physical bookstores like Barnes & Noble, Waterstones, and independent local stores. Online Retailers: Amazon, Book Depository, and various online bookstores offer a wide range of books in physical and digital formats.
2. What are the different book formats available? Hardcover: Sturdy and durable, usually more expensive. Paperback: Cheaper, lighter, and more portable than hardcovers. E-books: Digital books available for e-readers like Kindle or software like Apple Books, Kindle, and Google Play Books.
3. How do I choose a Scope For Physics Final Exam Paper 2 In 2014 book to read? Genres: Consider the genre you enjoy (fiction, non-fiction, mystery, sci-fi, etc.). Recommendations: Ask friends, join book clubs, or explore online reviews and recommendations. Author: If you like a particular author, you might enjoy more of their work.
4. How do I take care of Scope For Physics Final Exam Paper 2 In 2014 books? Storage: Keep them away from direct sunlight and in a dry environment. Handling: Avoid folding pages, use bookmarks, and handle them with clean hands. Cleaning: Gently dust the covers and pages occasionally.
5. Can I borrow books without buying them? Public Libraries: Local libraries offer a wide range of books for borrowing. Book Swaps: Community book exchanges or online platforms where people exchange books.
6. How can I track my reading progress or manage my book collection? Book Tracking Apps: Goodreads, LibraryThing, and Book Catalogue are popular apps for tracking your reading progress and managing book collections. Spreadsheets: You can create your own spreadsheet to track books read, ratings, and other details.
7. What are Scope For Physics Final Exam Paper 2 In 2014 audiobooks, and where can I find them? Audiobooks: Audio

- recordings of books, perfect for listening while commuting or multitasking. Platforms: Audible, LibriVox, and Google Play Books offer a wide selection of audiobooks.
8. How do I support authors or the book industry? Buy Books: Purchase books from authors or independent bookstores. Reviews: Leave reviews on platforms like Goodreads or Amazon. Promotion: Share your favorite books on social media or recommend them to friends.
  9. Are there book clubs or reading communities I can join? Local Clubs: Check for local book clubs in libraries or community centers. Online Communities: Platforms like Goodreads have virtual book clubs and discussion groups.
  10. Can I read Scope For Physics Final Exam Paper 2 In 2014 books for free? Public Domain Books: Many classic books are available for free as they're in the public domain. Free E-books: Some websites offer free e-books legally, like Project Gutenberg or Open Library.

**Find Scope For Physics Final Exam Paper 2 In 2014 :**

*revell guided missile fleet instruction manual*

~~respironics trilogy 100 manual~~

~~reteaching activity world war 1 begins~~

~~respironics everflo manual~~

*revent oven 72 assembly manual*

*review and reinforcement answers metric system*

**retired military pay chart 2014**

**review meat study guide key**

respironics modem manual

**restaurant server manual**

**restaurant mcdonalds training manual**

~~restaurant crab dip recipe~~

*restraunt server training manual*

review circles basics key

respironics remstar plus m series user manual

**Scope For Physics Final Exam Paper 2 In 2014 :**

Foundation Of Algorithms Fourth Edition Exercise Solutions ... Foundation Of Algorithms Fourth Edition Exercise Solutions.pdf. View full document. Doc ... Foundations Of Algorithms 5th Edition Solution Manual.pdf. CS 214. 1. Introduction to Algorithms, Fourth Edition — solutions ... The goal of this project is to provide solutions to all exercises and problems from Introduction to Algorithms, Fourth Edition by Thomas H. Cormen, Charles E. Selected Solutions Introduction to Algorithms Mar 14, 2022 — This document contains selected solutions to exercises and problems in Introduction to Algorithms, Fourth Edition, by Thomas H. Cormen, ... Foundations of Algorithms This fifth edition of Foundations of Algorithms retains the features that made the previous editions successful. ... solution to the problem instance in which n. CLRS Solutions Welcome to my page of solutions to "Introduction to Algorithms" by Cormen, Leiserson, Rivest, and Stein. ... pdf with all the solutions. Chapter 1 · Chapter 2 ... Foundations Of Algorithms Solution Manual Get instant access to our step-by-step Foundations Of Algorithms solutions manual. Our solution manuals are written by Chegg experts so you can be assured ... Introduction to Algorithms - Solutions and Instructor's Manual by TH Cormen · Cited by 2 — This document is an instructor's manual to accompany Introduction to Algorithms,. Second Edition, by Thomas H. Cormen, Charles E. Leiserson, Ronald L. Rivest ... Instructor's Manual Introduction to Algorithms by TH Cormen · Cited by 2 — This document is an instructor's manual to accompany Introduction to Algorithms,. Third Edition, by Thomas H. Cormen, Charles E. Leiserson, Ronald L. Rivest ... mmsaffari/Foundations-of-Algorithms May 10, 2020 — Solutions to a selection of exercises from "Foundations of Algorithms" book by Richard Neapolitan and Kumars Naimipour - GitHub ... Richard Neapolitan Solutions Foundations Of Algorithms 4th Edition ... Solutions Manual · Study 101 · Textbook Rental · Used Textbooks · Digital Access ... Microbiology: Laboratory Theory & Application, Brief Access all of the textbook solutions and explanations for Leboffe/Pierce's Microbiology: Laboratory Theory & Application, Brief (3rd Edition). Microbiology Laboratory Theory And Applications Third ... Microbiology Laboratory Theory And Applications Third Edition Data Sheet Answers Pdf. INTRODUCTION Microbiology Laboratory Theory And Applications Third ... Microbiology 3rd Edition Textbook Solutions Access Microbiology 3rd Edition solutions now. Our solutions are written by Chegg experts so you can be assured of the highest quality! Microbiology - 3rd Edition - Solutions and Answers Find step-by-step solutions and answers to Microbiology - 9781617314773, as well as thousands of textbooks so you can move forward with confidence. Microbiology: Laboratory Theory & Application, Brief, 3e Data sheets provide students room to record their data and answer critical thinking questions. ... A version of this manual is available with microbiology lab ... Microbiology: Laboratory Theory and Application This third edition in many ways is like another first edition. We have added 20 new exercises, incorporated four more exercises from MLTA Brief Edition, ... Microbiology by Leboffe, Burton Data Sheets provide students room to record their data and answer critical thinking questions. Microbiology: Laboratory Theory & Application, ... Microbiology: Laboratory

Theory and Application, Brief Microbiology: Laboratory Theory and Application, Brief ; SKU: MBS\_1948431\_dg ; Edition: 3RD 16 ; Publisher: MORTON E. laboratory-exercises-in-microbiology-book.pdf Considering the above parameters, the purpose of this laboratory manual is to guide students through a process of development of microbiological technique,. Solutions Manual for Java How To Program (Early Objects) ... Solutions Manual for Java How To Program (Early Objects), 10th Edition. Paul Deitel, Deitel & Associates, Inc. Harvey Deitel. ©2015 | Pearson. Harvey Deitel Solutions Solutions Manual for Java How to Program: Late Objects Version 8th Edition 365 ... C Student Solutions Manual to Accompany C How ... This is the Student Solutions Manual which accompanies C How to Program, 4th edition. It acts as a study guide providing a large number of completely solved ... Deitel & Deitel - "C How To Program" - solutions to exercises Deitel & Deitel - "C How To Program" - solutions to exercises. Intro. Here you can find my solutions for Deitel & Deitel - "C How To Program". C Student Solutions Manual to Accompany C How ... Synopsis: This is the Student Solutions Manual which accompanies C How to Program, 4th edition. It acts as a study guide providing a large number of completely ... Java Student Solutions Manual: To Accompany ... Java Student Solutions Manual: To Accompany Java How To Program [Deitel, Harvey M., Deitel, Paul J.] on Amazon.com. \*FREE\* shipping on qualifying offers. ydnAkif/Deitel: C++ How to Program 9th Edition Solutions Deitel. C++ How to Program 9th Edition Solutions. To run codes correctly, please download VsCode, Cmake and GCC or Clang compiler ... Objects Version, 7/E 7th Edition Paul Deitel, Harvey - Scribd Solution Manual for C++ How to Program: Late. Objects Version, 7/E 7th Edition Paul Deitel, Harvey. Deitel. To download the complete and accurate content ... Solution Manual for C How to Program, 7/E 7th - Scribd Solution Manual for C How to Program, 7/E 7th. Edition Paul Deitel, Harvey Deitel. To download the complete and accurate content document, go to:. C: How to Program - 7th Edition - Solutions and Answers Deitel, Paul J. ... At Quizlet, we're giving you the tools you need to take on any subject without having to carry around solutions manuals or printing out PDFs!