

PHYSICAL SCIENCES P.1

SCOPE

GRADE 12

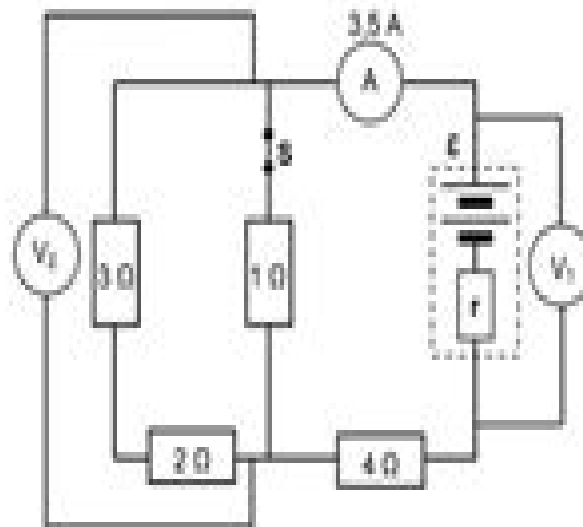
2024

FINAL EXAM



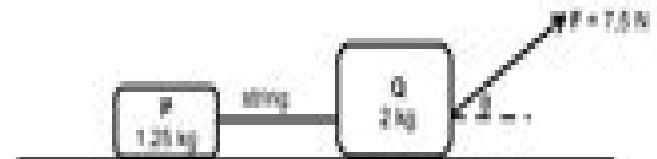
basic education

Department:
Basic Education
REPUBLIC OF SOUTH AFRICA



mass 1.25 kg is connected to another crate, Q , of mass 2 kg by a light string. The two crates are placed on a rough horizontal surface. A force F of magnitude 7.5 N , acting at angle θ to the horizontal, is applied on shown in the diagram below.

accelerate at 0.1 m s^{-2} to the right.



Scope For Final Exam Paper1 For Physical Science Grade1

D Kirk



Scope For Final Exam Paper1 For Physical Science Grade1:

As recognized, adventure as skillfully as experience roughly lesson, amusement, as without difficulty as accord can be gotten by just checking out a ebook **Scope For Final Exam Paper1 For Physical Science Grade1** along with it is not directly done, you could endure even more going on for this life, more or less the world.

We present you this proper as without difficulty as simple pretension to get those all. We present Scope For Final Exam Paper1 For Physical Science Grade1 and numerous book collections from fictions to scientific research in any way. accompanied by them is this Scope For Final Exam Paper1 For Physical Science Grade1 that can be your partner.

https://crm.avenza.com/public/virtual-library/Download_PDFS/Nursing%20Community%20Assessment%20Paper%20Example.pdf

Table of Contents Scope For Final Exam Paper1 For Physical Science Grade1

1. Understanding the eBook Scope For Final Exam Paper1 For Physical Science Grade1
 - The Rise of Digital Reading Scope For Final Exam Paper1 For Physical Science Grade1
 - Advantages of eBooks Over Traditional Books
2. Identifying Scope For Final Exam Paper1 For Physical Science Grade1
 - Exploring Different Genres
 - Considering Fiction vs. Non-Fiction
 - Determining Your Reading Goals
3. Choosing the Right eBook Platform
 - Popular eBook Platforms
 - Features to Look for in an Scope For Final Exam Paper1 For Physical Science Grade1
 - User-Friendly Interface
4. Exploring eBook Recommendations from Scope For Final Exam Paper1 For Physical Science Grade1
 - Personalized Recommendations
 - Scope For Final Exam Paper1 For Physical Science Grade1 User Reviews and Ratings
 - Scope For Final Exam Paper1 For Physical Science Grade1 and Bestseller Lists

Scope For Final Exam Paper1 For Physical Science Grade1

5. Accessing Scope For Final Exam Paper1 For Physical Science Grade1 Free and Paid eBooks
 - Scope For Final Exam Paper1 For Physical Science Grade1 Public Domain eBooks
 - Scope For Final Exam Paper1 For Physical Science Grade1 eBook Subscription Services
 - Scope For Final Exam Paper1 For Physical Science Grade1 Budget-Friendly Options
6. Navigating Scope For Final Exam Paper1 For Physical Science Grade1 eBook Formats
 - ePub, PDF, MOBI, and More
 - Scope For Final Exam Paper1 For Physical Science Grade1 Compatibility with Devices
 - Scope For Final Exam Paper1 For Physical Science Grade1 Enhanced eBook Features
7. Enhancing Your Reading Experience
 - Adjustable Fonts and Text Sizes of Scope For Final Exam Paper1 For Physical Science Grade1
 - Highlighting and Note-Taking Scope For Final Exam Paper1 For Physical Science Grade1
 - Interactive Elements Scope For Final Exam Paper1 For Physical Science Grade1
8. Staying Engaged with Scope For Final Exam Paper1 For Physical Science Grade1
 - Joining Online Reading Communities
 - Participating in Virtual Book Clubs
 - Following Authors and Publishers Scope For Final Exam Paper1 For Physical Science Grade1
9. Balancing eBooks and Physical Books Scope For Final Exam Paper1 For Physical Science Grade1
 - Benefits of a Digital Library
 - Creating a Diverse Reading Collection Scope For Final Exam Paper1 For Physical Science Grade1
10. Overcoming Reading Challenges
 - Dealing with Digital Eye Strain
 - Minimizing Distractions
 - Managing Screen Time
11. Cultivating a Reading Routine Scope For Final Exam Paper1 For Physical Science Grade1
 - Setting Reading Goals Scope For Final Exam Paper1 For Physical Science Grade1
 - Carving Out Dedicated Reading Time
12. Sourcing Reliable Information of Scope For Final Exam Paper1 For Physical Science Grade1
 - Fact-Checking eBook Content of Scope For Final Exam Paper1 For Physical Science Grade1
 - Distinguishing Credible Sources
13. Promoting Lifelong Learning

- Utilizing eBooks for Skill Development
 - Exploring Educational eBooks
14. Embracing eBook Trends
- Integration of Multimedia Elements
 - Interactive and Gamified eBooks

Scope For Final Exam Paper1 For Physical Science Grade1 Introduction

Free PDF Books and Manuals for Download: Unlocking Knowledge at Your Fingertips In today's fast-paced digital age, obtaining valuable knowledge has become easier than ever. Thanks to the internet, a vast array of books and manuals are now available for free download in PDF format. Whether you are a student, professional, or simply an avid reader, this treasure trove of downloadable resources offers a wealth of information, conveniently accessible anytime, anywhere. The advent of online libraries and platforms dedicated to sharing knowledge has revolutionized the way we consume information. No longer confined to physical libraries or bookstores, readers can now access an extensive collection of digital books and manuals with just a few clicks. These resources, available in PDF, Microsoft Word, and PowerPoint formats, cater to a wide range of interests, including literature, technology, science, history, and much more. One notable platform where you can explore and download free Scope For Final Exam Paper1 For Physical Science Grade1 PDF books and manuals is the internet's largest free library. Hosted online, this catalog compiles a vast assortment of documents, making it a veritable goldmine of knowledge. With its easy-to-use website interface and customizable PDF generator, this platform offers a user-friendly experience, allowing individuals to effortlessly navigate and access the information they seek. The availability of free PDF books and manuals on this platform demonstrates its commitment to democratizing education and empowering individuals with the tools needed to succeed in their chosen fields. It allows anyone, regardless of their background or financial limitations, to expand their horizons and gain insights from experts in various disciplines. One of the most significant advantages of downloading PDF books and manuals lies in their portability. Unlike physical copies, digital books can be stored and carried on a single device, such as a tablet or smartphone, saving valuable space and weight. This convenience makes it possible for readers to have their entire library at their fingertips, whether they are commuting, traveling, or simply enjoying a lazy afternoon at home. Additionally, digital files are easily searchable, enabling readers to locate specific information within seconds. With a few keystrokes, users can search for keywords, topics, or phrases, making research and finding relevant information a breeze. This efficiency saves time and effort, streamlining the learning process and allowing individuals to focus on extracting the information they need. Furthermore, the availability of free PDF books and manuals fosters a culture of continuous learning. By removing financial barriers, more people can access educational

Scope For Final Exam Paper1 For Physical Science Grade1

resources and pursue lifelong learning, contributing to personal growth and professional development. This democratization of knowledge promotes intellectual curiosity and empowers individuals to become lifelong learners, promoting progress and innovation in various fields. It is worth noting that while accessing free Scope For Final Exam Paper1 For Physical Science Grade1 PDF books and manuals is convenient and cost-effective, it is vital to respect copyright laws and intellectual property rights. Platforms offering free downloads often operate within legal boundaries, ensuring that the materials they provide are either in the public domain or authorized for distribution. By adhering to copyright laws, users can enjoy the benefits of free access to knowledge while supporting the authors and publishers who make these resources available. In conclusion, the availability of Scope For Final Exam Paper1 For Physical Science Grade1 free PDF books and manuals for download has revolutionized the way we access and consume knowledge. With just a few clicks, individuals can explore a vast collection of resources across different disciplines, all free of charge. This accessibility empowers individuals to become lifelong learners, contributing to personal growth, professional development, and the advancement of society as a whole. So why not unlock a world of knowledge today? Start exploring the vast sea of free PDF books and manuals waiting to be discovered right at your fingertips.

FAQs About Scope For Final Exam Paper1 For Physical Science Grade1 Books

How do I know which eBook platform is the best for me? Finding the best eBook platform depends on your reading preferences and device compatibility. Research different platforms, read user reviews, and explore their features before making a choice. Are free eBooks of good quality? Yes, many reputable platforms offer high-quality free eBooks, including classics and public domain works. However, make sure to verify the source to ensure the eBook credibility. Can I read eBooks without an eReader? Absolutely! Most eBook platforms offer web-based readers or mobile apps that allow you to read eBooks on your computer, tablet, or smartphone. How do I avoid digital eye strain while reading eBooks? To prevent digital eye strain, take regular breaks, adjust the font size and background color, and ensure proper lighting while reading eBooks. What the advantage of interactive eBooks? Interactive eBooks incorporate multimedia elements, quizzes, and activities, enhancing the reader engagement and providing a more immersive learning experience. Scope For Final Exam Paper1 For Physical Science Grade1 is one of the best book in our library for free trial. We provide copy of Scope For Final Exam Paper1 For Physical Science Grade1 in digital format, so the resources that you find are reliable. There are also many Ebooks of related with Scope For Final Exam Paper1 For Physical Science Grade1. Where to download Scope For Final Exam Paper1 For Physical Science Grade1 online for free? Are you looking for Scope For Final Exam Paper1 For Physical Science Grade1 PDF? This is definitely going to save you time and cash in something you should think about.

Find Scope For Final Exam Paper1 For Physical Science Grade1 :

nursing community assessment paper example

nursing bed report tools

number lines missing numbers

nwea scoring chart per grade level

nutrition for health fitness sport

nuits agrave paris notes sur une ville

numerical mathematics and computing solution manual

nvi trade edition outreach new testament spanish edition

nurses drug administration guide

nuclear chemistry section worksheet

nwea percentile rank conversion

nutten hook manual labor school

numerical techniques in electromagnetics sadiku solution manual

nyc corrections deputy warden salary

nursing diagnosis pocket guide

Scope For Final Exam Paper1 For Physical Science Grade1 :

le livre de la jungle wikipédia - Oct 07 2023

web le livre de la jungle est un recueil de nouvelles dont la plupart raconte une histoire qui se passe dans la jungle forêt située dans une inde de fantaisie où vivent des animaux anthropomorphisés typiques du pays ainsi que des hommes

le livre de la jungle film 1967 wikipédia - May 02 2023

web le livre de la jungle the jungle book est le 24 e long métrage d animation et le 19 e classique d animation des studios disney sorti en 1967 il est inspiré du livre du même nom écrit par rudyard kipling et paru en 1894

the jungle book 2016 imdb - Jul 04 2023

web apr 15 2016 the jungle book directed by jon favreau with neel sethi bill murray ben kingsley idris elba after a threat from the tiger shere khan forces him to flee the jungle a man cub named mowgli embarks on a journey of self discovery with the help of panther bagheera and free spirited bear baloo

le livre de la jungle disney - Nov 27 2022

web un garçon élevé par des loups et chassé par un redoutable tigre part à la découverte de lui même

[le livre de la jungle film 2016 senscritique](#) - Sep 25 2022

web apr 7 2016 fiche technique Élevé par une famille de loups le petit d homme n est désormais plus le bienvenu dans la jungle le redoutable tigre shere khan qui porte encore les cicatrices de sa confrontation avec les hommes s est juré d éliminer celui qu il voit comme une menace

le livre de la jungle extrait exclusif chanson il en faut peu - Jul 24 2022

web aug 20 2013 11m views 10 years ago a l occasion de la sortie en blu ray et dvd redécouvrez la chanson mythique il en faut peu pour être heureux de baloo extraite du livre de la jungle

[le livre de la jungle film 1967 allociné](#) - Apr 01 2023

web synopsis la panthère bagheera découvre dans la jungle un jeune enfant abandonné elle décide de le confier à une famille de loups qui l élève comme un louveteau alors que

le livre de la jungle film complet en francais youtube - Jun 22 2022

web about press copyright contact us creators advertise developers terms privacy policy safety how youtube works test new features nfl sunday ticket press copyright

[le livre de la jungle film 2016 wikipédia](#) - Feb 28 2023

web résumé détaillé mowgli un jeune garçon orphelin vit dans la jungle au sein d une meute de loups il apprend encore à se comporter comme eux avec l aide de la panthère noire bagheera qui l a jadis trouvé et confié aux canidés dirigés par akela le petit homme adopté par la louve raksha grandit avec ses louveteaux

[le livre de la jungle prime video](#) - Feb 16 2022

web may 27 2013 les aventures de mowgli qui a grandi dans la jungle indienne et de ses amis l ours baloo et la panthère bagheera

[le livre de la jungle rudyard kipling babelio](#) - Jun 03 2023

web aug 16 2023 résumé mowgli un bébé orphelin abandonné dans la jungle est recueilli et élevé par une meute de loups passant son enfance parmi les animaux il apprend la loi de la jungle au côté de ses amis l ours baloo la panthère bagheera et la louve rashka

[le livre de la jungle critique disney planet fr](#) - Mar 20 2022

web sep 26 2014 notre critique de le livre de la jungle 19ème classique d animation disney le livre de la jungle est le tout dernier film que walt disney fera avant de mourir d un cancer du poumon l histoire est inspirée du livre de rudyard kipling du même nom que le film paru en 1894 dans ce film nous retrouvons l histoire de mowgli un petit

[le livre de la jungle il en faut peu pour être heureux the bare](#) - Sep 06 2023

web jun 28 2009 learn more le grand classique version originale en anglais the bare necessities composée par terry gilkyson pour walt disney studios 1967 chantée par phil harris

amazon fr le livre de la jungle - May 22 2022

web disney le livre de la jungle mes premières chansons de collectif 238 cd livraison à 0 01 mar 7 nov dès 35 d achat de livres expédiés par amazon ou livraison accélérée sam 4 nov il ne reste plus que 14 exemplaires en stock d autres exemplaires sont en cours d acheminement

regarder le livre de la jungle en streaming complet justwatch - Jan 30 2023

web regarder le livre de la jungle en streaming complet durée pays de production etats unis réalisateur wolfgang reitherman le livre de la jungle 1967 titre original the jungle book regarder maintenant streaming forfait hd location 3 99 hd offres groupées forfait en promo regarder maintenant filters meilleur prix gratuit sd hd 4k streaming

le livre de la jungle canal - Apr 20 2022

web chaînes s abonner mowgli a grandi dans la jungle élevé parmi les loups agé de 10 ans il se montre intrépide et curieux de tout ignorant les dangers qui le guettent

critique du film le livre de la jungle allociné - Aug 25 2022

web apr 13 2016 tout d abord l esthétique du film est tout simplement renversante et cela grâce à trois choses a la mise en scène nickel chrome de jon favreau iron man 1 2 b la photographie hyper

trois aventures de mowgli le livre de la jungle fnac - Dec 29 2022

web le livre de la jungle trois aventures de mowgli le livre de la jungle rudyard kipling robert d lumières louis fabulet libro des milliers de livres avec la livraison chez vous en 1 jour ou en magasin avec 5 de réduction ou téléchargez la version ebook

le livre de la jungle le livre de la jungle fnac - Oct 27 2022

web le livre de la jungle le livre de la jungle rudyard kipling jean pierre richard anne tonnac ldp jeunesse des milliers de livres avec la livraison chez vous en 1 jour ou en magasin avec 5 de réduction

le livre de la jungle film 2016 allociné - Aug 05 2023

web apr 13 2016 le livre de la jungle est un film réalisé par jon favreau avec neel sethi ben kingsley synopsis les aventures de mowgli un petit homme élevé dans la jungle par une famille de

priodata vo maj pdf algoritmi pybossa com - Aug 06 2023

web priodata vo maj pdf pages 2 5 priodata vo maj pdf upload donald p boyle 2 5 downloaded from algoritmi pybossa com on september 29 2023 by donald p boyle

2022 bayramda hava nasıl olacak meteoroloji den son dakika - Jul 25 2022

web apr 25 2022 meteoroloji den son dakika hava durumu açıklaması yaşam 2022 bayramda hava nasıl olacak meteoroloji

den son dakika hava durumu açıklaması 2022 04 25

priodata vo maj ol wise edu - Nov 28 2022

web install the priodata vo maj it is utterly simple then since currently we extend the colleague to purchase and make bargains to download and install priodata vo maj for that reason

pristina da 30 günlük hava durumu pristina hava durumu yandex - Jan 31 2023

web pristina aylık hava durumu pristina 30 günlük uzun süreli hava durumu pristina yandex hava durumu nda aylara göre hava durumu gündüz ve gece saatlerinde hava sıcaklığı

priodata vo maj uniport edu ng - Dec 18 2021

web apr 6 2023 notice as with ease as sharpness of this priodata vo maj can be taken as skillfully as picked to act rad kongresa folklorista jugoslavije 1983 the proterozoic

priodata vo maj uniport edu ng - Oct 28 2022

web may 10 2023 priodata vo maj 2 5 downloaded from uniport edu ng on may 10 2023 by guest the national union catalogs 1963 1964 forstwirtschaft und biodiversitätsschutz

priodata vo maj help environment harvard edu - Sep 07 2023

web priodata vo maj below the national union catalogs 1963 1964 Комуникација kristijan belon 2004 активности за учење на час по јазик Мишел Панданкс 2004

meteoroloji genel müdürlüğü - Mar 01 2023

web mgm gov tr hava hava durumu hava tahmini sıcaklık yağmur kar dolu Şimşek gökgürültüsü rüzgar fırtına denizcilik havacılık tarım

o illerde kar yağışı başladı İstanbul da kar yağacak mı 1 mart - Jun 23 2022

web mar 1 2022 kuvvetli yağış uyarisi yağışların doğu akdeniz doğu anadolu nun güney ve batısı güneydoğu anadolu nun kuzey ve batısı isparta konya giresun

priodata vo maj yvc moeys gov kh - May 03 2023

web dec 28 2022 priodata vo maj is available in our book collection an online access to it is set as public so you can download it instantly our digital library hosts in multiple

priodata vo maj book - Oct 08 2023

web priodata vo maj general guidelines for methodologies on research and evaluation of traditional medicine nov 19 2021 in 1997 with the support of the national center of complementary and alternative medicine national institutes of health bethesda md

priodata vo maj iet donnu edu ua - Apr 02 2023

web prirodata vo maj makedonski pravoslaven kalendar m p c org read knjiga 2 part01 v02 p65 readbag com makedonski pravoslaven kalendar m p c org may 2nd 2018

agencija travelland travelend travellend travel lend - May 23 2022

web način plaćanja zamenska putovanja se plaćaju potvrdama o zamenskim putovanjima ukoliko putnik otkaže zamensko putovanje u periodu obračuna penala penali se

prirodata vo maj - Jul 05 2023

web prirodata vo maj makedonski pravoslaven kalendar m p c org read knjiga 2 part01 v02 p65 readbag com makedonski pravoslaven kalendar m p c org may 2nd 2018

prirodata vo maj uniport edu ng - Jan 19 2022

web aug 2 2023 prirodata vo maj 1 6 downloaded from uniport edu ng on august 2 2023 by guest prirodata vo maj right here we have countless book prirodata vo maj and

prirodata vo maj help environment harvard edu - Feb 17 2022

web prirodata vo maj getting the books prirodata vo maj now is not type of inspiring means you could not abandoned going gone book addition or library or borrowing from your

prirodata vo maj - Jun 04 2023

web sep 23 2023 prirodata vo maj read knjiga 2 part01 v02 p65 readbag com makedonski pravoslaven kalendar m p c org read knjiga 2 part01 v02 p65 readbag com may 2nd

prirodata vo maj uniport edu ng - Nov 16 2021

web acquire those all we give prirodata vo maj and numerous books collections from fictions to scientific research in any way accompanied by them is this prirodata vo maj that can

prirodata vo maj e journal stp ipi ac id - Dec 30 2022

web prirodata vo maj 2021 12 02 jillian kelley atmospheric dynamics logos a classified under country with indexes of authors and translators integrals princeton university

prirodata vo maj uniport edu ng - Sep 26 2022

web apr 18 2023 prirodata vo maj 1 6 downloaded from uniport edu ng on april 18 2023 by guest prirodata vo maj getting the books prirodata vo maj now is not type of inspiring

prirodata vo maj uniport edu ng - Apr 21 2022

web apr 5 2023 prirodata vo maj 2 7 downloaded from uniport edu ng on april 5 2023 by guest since the days when he had trudged around fossil lake basins in nevada for his

prirodata vo maj edms ncdmb gov ng - Aug 26 2022

web prirodata vo maj read kniga 2 part01 v02 p65 readbag com makedonski pravoslaven kalendar m p c org read kniga 2 part01 v02 p65 readbag com may 2nd 2018

prirodata vo maj mail lafamigliawv com - Mar 21 2022

web prirodata vo maj downloaded from mail lafamigliawv com by guest jillian ryan the ghost of my mother logos a transcending the various formal concepts of life this

husayn ibn ali biography death significance britannica - Sep 18 2023

web oct 6 2023 husayn ibn ali hero in shi ism grandson of the prophet muhammad through his daughter fatimah and son in law ali the fourth caliph he is revered by shi i muslims as the third imam husayn was killed in the battle of karbala in 680 after joining an uprising against the umayyad caliphs

shahadat e imam hussain as conference minhaj ul quran - Dec 09 2022

web jan 7 2009 shahadat e imam hussain as conference marking the great sacrifice of imam hussain as a joint programme of monthly spiritual gathering and martyrdom of imam hussain conference took place on january 7 2009 in the central secretariat of minhaj ul quran international

karbala ka waqya part 1 shahasat imam hussain vol 1 youtube - Oct 07 2022

web nov 27 2013 song karbala ka waqya 1album shahadat imam hussain vol 1singer taslim aarif khanmusic director bhushan dualyricist traditionalmusic label t seriesf

imam al husayn b ali a wikishia - Mar 12 2023

web coffin carrying v t e al Husayn b 'ali b abī Ṭālib a arabic ٱلْحُسَيْنُ بْنُ عَلِيِّ بْنِ أَبِي طَالِبٍ b sha ban 3 4 january 8 626 d muharram 10 61 october 10 680 also known as abu abd allah and sayyid al shuhada

shahadat imam hussain a s allama nasir abbas multan - Aug 05 2022

web shahadat imam hussain a s allama nasir abbas multan fikar e hussain 59 3k subscribers subscribe 1 4k share 70k views 4 years ago shahadatimamhussain allamanasir subscribe fikar e

shahadat e imam hussain maulana syed abul aala maududi - Feb 11 2023

web shahadat e imam hussain maulana syed abul aala maududi topics shahadat shahadah maududi mawdudi mawdoodi mawdoodi mevdudi abulaala martyrdom husain ahl e bayt ahl e bait karbala ibn ziyad ibn ziad yazeed muawiyyah muawiyah muawiah moharram muharram collection

the history and philosophy of aza of imam husayn a - Jul 16 2023

web muharram imam husayn read a the message over one thousand three hundred and fifty years ago on the 10th of muharram just before asr a man stood on a sand dune at karbala he was bleeding from several wounds on his body he had lost everything since early morning he had carried several dead bodies into his camp

shahadat e imam hussain shahadat e muhammadi hy part 1 - May 02 2022

web apr 28 2011 shahadat e imam hussain shahadat e muhammadi hy part 1 shaykh ul islam dr muhammad tahir ul qadri shaykh ul islam dr muhammad tahir ul qadri 666k subscribers subscribe

[hasan ibn ali wikipedia](#) - Jan 10 2023

web abū muḥammad al Ḥasan ibn ‘alī ibn abī Ṭālib arabic هاشم بن علي بن ابي طالب c 625 2 april 670 was a prominent early islamic figure he was the eldest son of ali and fatima and a grandson of the islamic prophet muhammad he briefly ruled as caliph from january 661 until august 661

important islamic calendar dates - Jul 04 2022

web shahadat imam zain ul abideen a s 25 moharram 30 april viladat imam musa kazim a s 7 safar 12 may shahadat imam ali reza a s 17 safar 22 may chehalum imam hussain a s 20 safar 25 may shahadat janabe zainab 24 safar or 16 zilhaj 29 may or march 23 wafaat the holy prophet s a 28 safar 2 june shahadat imam

shahadat imam hussain by mushtaq ahmad - Feb 28 2022

web about press press

shahadat e imam hussain ra by syed maududi academia - Aug 17 2023

web the renowned scholar syed abul ala maududi in a joint gathering of shia and sunni people delivered a speech in urdu on the topic of shahadat e imam hussain ra it was later published in july 1960 in tarjuman ul quran now being presented in english translation done by mr ali abbas for the interest of masses

full shahadat of imam hussain a s youtube - Sep 06 2022

web reciting shahadat of imam hussain a s

[ali ibn husayn zayn al abidin wikipedia](#) - Jun 15 2023

web 4 هاشم بن علي بن ابي طالب 3rd imam of the twelvers and 3rd imam of the isma ilis zayn al abidin preaching in defense of husayn ibn ali in a mosque in the presence of yazid i a miniature painting from a manuscript of hadikat al suada 16th 17th century ottoman turkey 4th shia imam in office 680 ce 712 ce

al qasim ibn hasan ibn ali wikipedia - Jun 03 2022

web death of hasan ibn ali hasan ibn ali qasim s father died on the 5th of rabi al awwal 50 ah 2 april 670 ce by mu awiya i due to poisoning 4 qasim was only three years old when his father died however he grew up in the company of his paternal family

husayn ibn ali wikipedia - Oct 19 2023

web he is the third imam of shia islam after his brother hasan and before his son ali ibn husayn zayn al abidin being a grandson of the prophet he is a member of the ahl al bayt he is also considered to be a member of the ahl al

4 beautiful stories of imam hassan hussain to remember in - Nov 08 2022

