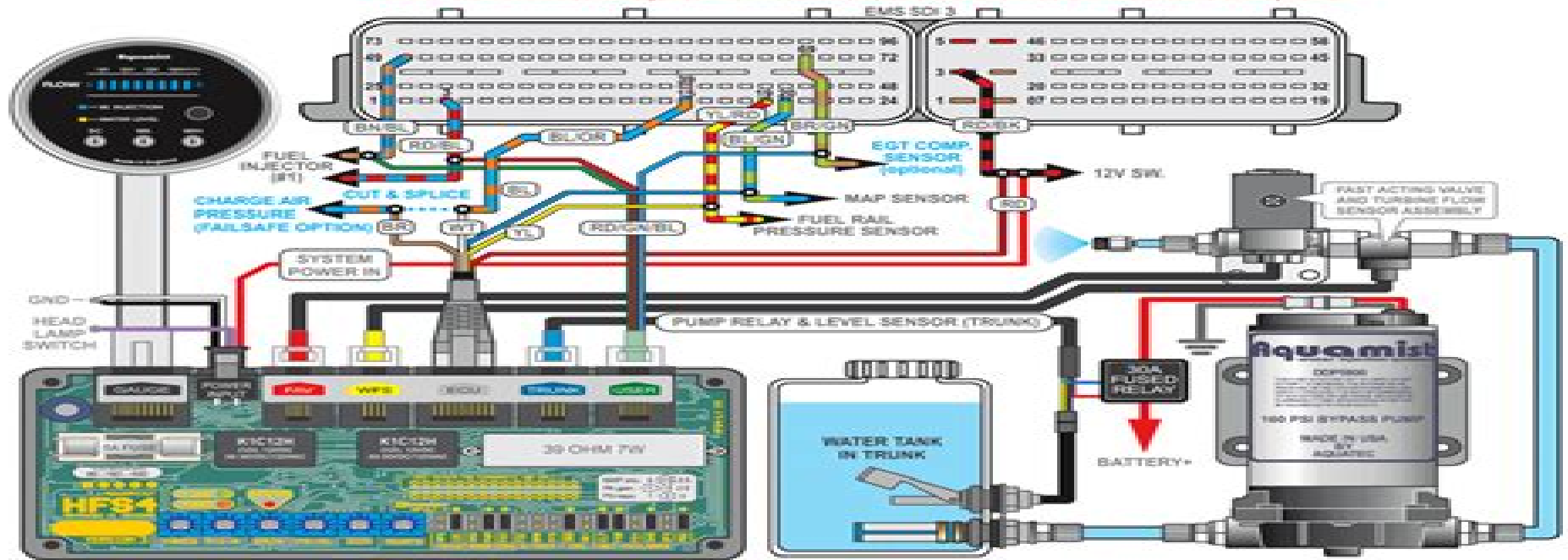


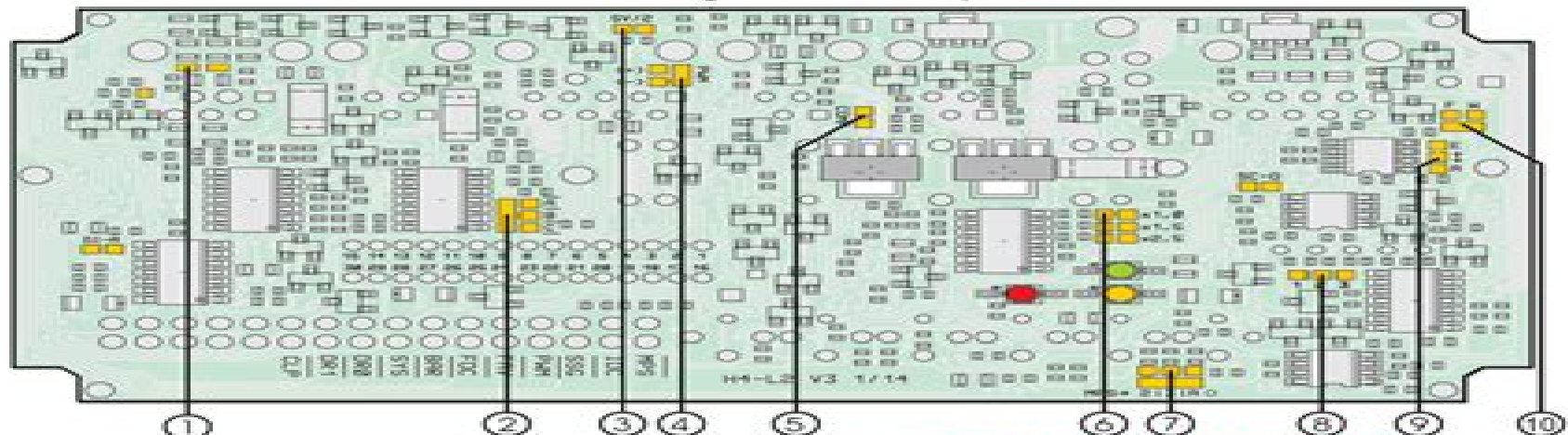
HFS4-v3 for Porsche 997.2 TT DFi

preliminary

NOTE: the circuit board requires modifications, details are found below. Blue items are optional



further configuration is required



1. No modification
2. No modification
3. No modification
4. No modification
5. Solder link for EGT compensation (optional)

6. IDC PRE-AMP: cut x1.0, solder link x2.5
7. No modification
8. No modification for two jets
9. No modification
10. Solder link "WF" for AUX failsafe (boost drop, optional)

Porsche 99vacuum Diagram

J Spring



Porsche 99vacuum Diagram:

Embark on a transformative journey with is captivating work, Grab Your Copy of **Porsche 99vacuum Diagram** . This enlightening ebook, available for download in a convenient PDF format , invites you to explore a world of boundless knowledge. Unleash your intellectual curiosity and discover the power of words as you dive into this riveting creation. Download now and elevate your reading experience to new heights .

https://crm.avenza.com/book/publication/default.aspx/Origine_Du_Nom_De_Famille_Patte_Oeuvres_Courtes.pdf

Table of Contents Porsche 99vacuum Diagram

1. Understanding the eBook Porsche 99vacuum Diagram
 - The Rise of Digital Reading Porsche 99vacuum Diagram
 - Advantages of eBooks Over Traditional Books
2. Identifying Porsche 99vacuum Diagram
 - Exploring Different Genres
 - Considering Fiction vs. Non-Fiction
 - Determining Your Reading Goals
3. Choosing the Right eBook Platform
 - Popular eBook Platforms
 - Features to Look for in an Porsche 99vacuum Diagram
 - User-Friendly Interface
4. Exploring eBook Recommendations from Porsche 99vacuum Diagram
 - Personalized Recommendations
 - Porsche 99vacuum Diagram User Reviews and Ratings
 - Porsche 99vacuum Diagram and Bestseller Lists
5. Accessing Porsche 99vacuum Diagram Free and Paid eBooks
 - Porsche 99vacuum Diagram Public Domain eBooks
 - Porsche 99vacuum Diagram eBook Subscription Services
 - Porsche 99vacuum Diagram Budget-Friendly Options

6. Navigating Porsche 99vacuum Diagram eBook Formats
 - ePub, PDF, MOBI, and More
 - Porsche 99vacuum Diagram Compatibility with Devices
 - Porsche 99vacuum Diagram Enhanced eBook Features
7. Enhancing Your Reading Experience
 - Adjustable Fonts and Text Sizes of Porsche 99vacuum Diagram
 - Highlighting and Note-Taking Porsche 99vacuum Diagram
 - Interactive Elements Porsche 99vacuum Diagram
8. Staying Engaged with Porsche 99vacuum Diagram
 - Joining Online Reading Communities
 - Participating in Virtual Book Clubs
 - Following Authors and Publishers Porsche 99vacuum Diagram
9. Balancing eBooks and Physical Books Porsche 99vacuum Diagram
 - Benefits of a Digital Library
 - Creating a Diverse Reading Collection Porsche 99vacuum Diagram
10. Overcoming Reading Challenges
 - Dealing with Digital Eye Strain
 - Minimizing Distractions
 - Managing Screen Time
11. Cultivating a Reading Routine Porsche 99vacuum Diagram
 - Setting Reading Goals Porsche 99vacuum Diagram
 - Carving Out Dedicated Reading Time
12. Sourcing Reliable Information of Porsche 99vacuum Diagram
 - Fact-Checking eBook Content of Porsche 99vacuum Diagram
 - Distinguishing Credible Sources
13. Promoting Lifelong Learning
 - Utilizing eBooks for Skill Development
 - Exploring Educational eBooks
14. Embracing eBook Trends
 - Integration of Multimedia Elements

- Interactive and Gamified eBooks

Porsche 99vacuum Diagram Introduction

In today's digital age, the availability of Porsche 99vacuum Diagram books and manuals for download has revolutionized the way we access information. Gone are the days of physically flipping through pages and carrying heavy textbooks or manuals. With just a few clicks, we can now access a wealth of knowledge from the comfort of our own homes or on the go. This article will explore the advantages of Porsche 99vacuum Diagram books and manuals for download, along with some popular platforms that offer these resources. One of the significant advantages of Porsche 99vacuum Diagram books and manuals for download is the cost-saving aspect. Traditional books and manuals can be costly, especially if you need to purchase several of them for educational or professional purposes. By accessing Porsche 99vacuum Diagram versions, you eliminate the need to spend money on physical copies. This not only saves you money but also reduces the environmental impact associated with book production and transportation. Furthermore, Porsche 99vacuum Diagram books and manuals for download are incredibly convenient. With just a computer or smartphone and an internet connection, you can access a vast library of resources on any subject imaginable. Whether you're a student looking for textbooks, a professional seeking industry-specific manuals, or someone interested in self-improvement, these digital resources provide an efficient and accessible means of acquiring knowledge. Moreover, PDF books and manuals offer a range of benefits compared to other digital formats. PDF files are designed to retain their formatting regardless of the device used to open them. This ensures that the content appears exactly as intended by the author, with no loss of formatting or missing graphics. Additionally, PDF files can be easily annotated, bookmarked, and searched for specific terms, making them highly practical for studying or referencing. When it comes to accessing Porsche 99vacuum Diagram books and manuals, several platforms offer an extensive collection of resources. One such platform is Project Gutenberg, a nonprofit organization that provides over 60,000 free eBooks. These books are primarily in the public domain, meaning they can be freely distributed and downloaded. Project Gutenberg offers a wide range of classic literature, making it an excellent resource for literature enthusiasts. Another popular platform for Porsche 99vacuum Diagram books and manuals is Open Library. Open Library is an initiative of the Internet Archive, a nonprofit organization dedicated to digitizing cultural artifacts and making them accessible to the public. Open Library hosts millions of books, including both public domain works and contemporary titles. It also allows users to borrow digital copies of certain books for a limited period, similar to a library lending system. Additionally, many universities and educational institutions have their own digital libraries that provide free access to PDF books and manuals. These libraries often offer academic texts, research papers, and technical manuals, making them invaluable resources for students and researchers. Some notable examples include MIT OpenCourseWare, which offers free access to course materials from the Massachusetts

Institute of Technology, and the Digital Public Library of America, which provides a vast collection of digitized books and historical documents. In conclusion, Porsche 99vacuum Diagram books and manuals for download have transformed the way we access information. They provide a cost-effective and convenient means of acquiring knowledge, offering the ability to access a vast library of resources at our fingertips. With platforms like Project Gutenberg, Open Library, and various digital libraries offered by educational institutions, we have access to an ever-expanding collection of books and manuals. Whether for educational, professional, or personal purposes, these digital resources serve as valuable tools for continuous learning and self-improvement. So why not take advantage of the vast world of Porsche 99vacuum Diagram books and manuals for download and embark on your journey of knowledge?

FAQs About Porsche 99vacuum Diagram Books

How do I know which eBook platform is the best for me? Finding the best eBook platform depends on your reading preferences and device compatibility. Research different platforms, read user reviews, and explore their features before making a choice. Are free eBooks of good quality? Yes, many reputable platforms offer high-quality free eBooks, including classics and public domain works. However, make sure to verify the source to ensure the eBook credibility. Can I read eBooks without an eReader? Absolutely! Most eBook platforms offer webbased readers or mobile apps that allow you to read eBooks on your computer, tablet, or smartphone. How do I avoid digital eye strain while reading eBooks? To prevent digital eye strain, take regular breaks, adjust the font size and background color, and ensure proper lighting while reading eBooks. What the advantage of interactive eBooks? Interactive eBooks incorporate multimedia elements, quizzes, and activities, enhancing the reader engagement and providing a more immersive learning experience. Porsche 99vacuum Diagram is one of the best book in our library for free trial. We provide copy of Porsche 99vacuum Diagram in digital format, so the resources that you find are reliable. There are also many Ebooks of related with Porsche 99vacuum Diagram. Where to download Porsche 99vacuum Diagram online for free? Are you looking for Porsche 99vacuum Diagram PDF? This is definitely going to save you time and cash in something you should think about. If you trying to find then search around for online. Without a doubt there are numerous these available and many of them have the freedom. However without doubt you receive whatever you purchase. An alternate way to get ideas is always to check another Porsche 99vacuum Diagram. This method for see exactly what may be included and adopt these ideas to your book. This site will almost certainly help you save time and effort, money and stress. If you are looking for free books then you really should consider finding to assist you try this. Several of Porsche 99vacuum Diagram are for sale to free while some are payable. If you arent sure if the books you would like to download works with for usage along with your computer, it is possible to download free trials. The free guides make

it easy for someone to free access online library for download books to your device. You can get free download on free trial for lots of books categories. Our library is the biggest of these that have literally hundreds of thousands of different products categories represented. You will also see that there are specific sites catered to different product types or categories, brands or niches related with Porsche 99vacuum Diagram. So depending on what exactly you are searching, you will be able to choose e books to suit your own need. Need to access completely for Campbell Biology Seventh Edition book? Access Ebook without any digging. And by having access to our ebook online or by storing it on your computer, you have convenient answers with Porsche 99vacuum Diagram To get started finding Porsche 99vacuum Diagram, you are right to find our website which has a comprehensive collection of books online. Our library is the biggest of these that have literally hundreds of thousands of different products represented. You will also see that there are specific sites catered to different categories or niches related with Porsche 99vacuum Diagram So depending on what exactly you are searching, you will be able tochoose ebook to suit your own need. Thank you for reading Porsche 99vacuum Diagram. Maybe you have knowledge that, people have search numerous times for their favorite readings like this Porsche 99vacuum Diagram, but end up in harmful downloads. Rather than reading a good book with a cup of coffee in the afternoon, instead they juggled with some harmful bugs inside their laptop. Porsche 99vacuum Diagram is available in our book collection an online access to it is set as public so you can download it instantly. Our digital library spans in multiple locations, allowing you to get the most less latency time to download any of our books like this one. Merely said, Porsche 99vacuum Diagram is universally compatible with any devices to read.

Find Porsche 99vacuum Diagram :

origine du nom de famille patte oeuvres courtes

origine du nom de famille vautier oeuvres courtes

origine du nom de famille rouillard oeuvres courtes

origine du preacutenom mia oeuvres courtes

origine du nom de famille loison oeuvres courtes

[orion flex manual](#)

[orion starblast manual](#)

origine du nom de famille renaux oeuvres courtes

origine du nom de famille vachet oeuvres courtes

[origine du nom de famille ooms oeuvres courtes](#)

origine du nom de famille lion oeuvres courtes

origine du preacutenom elvire oeuvres courtes

origine du nom de famille soubielle oeuvres courtes

origins of american government

origine du nom de famille van den bosche oeuvres courtes

Porsche 99vacuum Diagram :

thinking in bets by annie duke 9780735216372 - Feb 27 2023

web feb 6 2018 thinking in bets making smarter decisions when you don t have all the facts annie duke penguin feb 6 2018
business economics 288 pages wall

thinking in bets by annie duke penguin random house canada - Jul 23 2022

web wall street journal bestseller poker champion turned business consultant annie duke teaches you how to get comfortable with uncertainty and make better decisions as a

thinking in bets making smarter decisions when you don t - Mar 19 2022

web on february 6 2018 annie s first book for general audiences thinking in bets making smarter decisions when you don t have all the facts will be released by portfolio an

thinking in bets making smarter decisions when you - Jun 02 2023

web annie duke is an author corporate speaker and consultant in the decision making space annie s book thinking in bets making smarter decisions when you don t have all

thinking in bets making smarter decisions when you - Jul 03 2023

web may 7 2019 thinking in bets making smarter decisions when you don t have all the facts is a national bestseller as a former professional poker player annie won more

thinking in bets making smarter decisions when you don t - Oct 14 2021

thinking in bets penguin random house higher education - Mar 31 2023

web in this book annie reveals to readers the lessons she regularly shares with her corporate audiences which have been cultivated by combining her academic studies in cognitive

thinking in bets making smarter decisions when you don t - Dec 28 2022

web wall street journal bestseller poker champion turned business consultant annie duke teaches you how to get comfortable with uncertainty and make better decisions as a

thinking in bets making smarter decisions when you - Sep 05 2023

web view kindle edition wall street journal bestseller poker champion turned business consultant annie duke teaches you how to get comfortable with uncertainty and make

thinking in bets making smarter decisions when you don t have - Aug 04 2023

web by shifting your thinking from a need for certainty to a goal of accurately assessing what you know and what you don t you ll be less vulnerable to reactive emotions knee jerk

thinking in bets making smarter decisions when you - May 01 2023

web feb 6 2018 poker champion turned business consultant annie duke teaches you how to get comfortable with uncertainty and make better decisions as a result in super bowl

thinking in bets making smarter decisions when you don t - Nov 14 2021

thinking in bets making smarter decisions when you don t - Nov 26 2022

web book details annie duke is an author corporate speaker and consultant in the decision making space annie s book thinking in bets making smarter decisions when you

thinking in bets making smarter decisions when you don t - Dec 16 2021

thinking in bets making smarter decisions when you don t - Jan 29 2023

web summary professional poker player annie duke explores how we can all become better decision makers in an uncertain and challenging world she helps us understand how

thinking in bets making smarter decisions when - Aug 24 2022

web laura dave media vous permet de suivre en ce moment la cérémonie du ballon d or officiel soyez les témoins de ce duel privilégié entre messi et halland

sport ballon d or 2023 qui sera le vainqueur laura - Apr 19 2022

web thinking in bets by annie duke is probably the best book on decision making that i have read the basic idea of the book is that thinking in bets will substantially improve the

thinking in bets making smarter decisions when you don t - Sep 24 2022

web thinking in bets making smarter decisions when you don t have all the facts is a book by annie duke a former professional poker player and decision strategist here

enzo calamo on linkedin thinking in bets making smarter - May 21 2022

web thinking in bets by duke annie books business economics analysis strategy buy new 437 00 m r p 699 00 save 262 00 37 inclusive of all taxes free delivery

thinking in bets making smarter decisions when you don t - Feb 15 2022

web thinking in bets by annie duke is probably the best book on decision making that i have read the basic idea of the book is that thinking in bets will substantially improve the

thinking in bets by annie duke summary notes calvin rosser - Oct 26 2022

web add to bookshelf thinking in bets making smarter decisions when you don t have all the facts is a book by annie duke a retired professional poker player and decision

thinking in bets making smarter decisions by duke - Oct 06 2023

web title thinking in bets making smarter decisions when you don t have all the facts annie duke description new york portfolio 2018 includes bibliographical references

thinking in bets by duke annie - Jan 17 2022

thinking in bets making smarter decisions when you don t - Jun 21 2022

web may 7 2019 thinking in bets making smarter decisions when you don t have all the facts duke annie 9780735216372 books amazon ca

wulfsschädel and other poems noble bill amazon sg books - Jan 09 2023

web hello sign in account lists returns orders cart

wulfsschädel and other poems brookline booksmith - Dec 08 2022

web brookline booksmith members save the date january 21 20 off biannual member sale in store and online not a member renew or become one today

wulfsschadel and other poems jbedssofa com - Mar 11 2023

web wulfsschadel and other poems 2020 01 14 aubrey leblanc wulfsschädel and other poems independently published a book of poems written across the years from the 1990s to the 2010s title wulfsschadel and other poems pdf jbedssofa com author aubrey leblanc created date

wulfsschädel and other poems by bill noble - Feb 27 2022

web jul 14 2023 wulfsschädel and other poems by bill noble author cscvirtual admission culver edu 2023 07 14 01 26 51 subject wulfsschädel and other poems by bill noble keywords wulfsschädel and other poems by bill noble created date 7 14 2023 1 26 51 am

wulfsschadel and other poems wrbb neu edu - Apr 12 2023

web wulfsschadel and other poems 2021 01 09 costa cayden wulfsschädel and other poems independently published a book of poems written across the years from the 1990s to the 2010s title

wulfsschadel and other poems pdf free voto uncal edu - Feb 10 2023

web wulfsschadel and other poems pdf a wonderful fictional prize brimming with natural thoughts lies an immersive symphony waiting to be embraced crafted by a wonderful composer of language that charming masterpiece conducts viewers on an emotional journey well unraveling the hidden songs and

wulfsschädel and other poems paperback january 29 2019 - Aug 16 2023

web jan 29 2019 amazon com wulfsschädel and other poems 9781793111067 noble bill books skip to main content us delivering to lebanon 66952 sign in to update your location books select the department you want to search in search amazon en hello sign in account lists returns orders

wulfsschadel and other poems uniport edu ng - Mar 31 2022

web apr 3 2023 wulfsschadel and other poems 1 1 downloaded from uniport edu ng on april 3 2023 by guest wulfsschadel and other poems when people should go to the ebook stores search inauguration by shop shelf by shelf it is truly problematic this is why we allow the book compilations in this website it will very ease you to see guide

wulfsschadel and other poems staging friends library org - Nov 07 2022

web nov 18 2022 wulfsschadel and other poems right here we have countless books wulfsschadel and other poems and collections to check out we additionally give variant types and with type of the books to browse the within acceptable limits book fiction history novel scientific research as skillfully as various other sorts of books are readily

wulfsschadel and other poems uniport edu ng - Jan 29 2022

web mar 21 2023 wulfsschadel and other poems 1 1 downloaded from uniport edu ng on march 21 2023 by guest wulfsschadel and other poems if you ally infatuation such a referred wulfsschadel and other poems books that will present you worth get the utterly best seller from us currently from several preferred authors if you want to entertaining

cotswold ballads the poetry of frank mansell read and sung - Jun 02 2022

web listen to cotswold ballads the poetry of frank mansell read and sung on spotify frank mansell album 2011 9 songs frank mansell album 2011 9 songs sign up log in home search your library create your

and other poems - Jul 03 2022

web and other poems is an online poetry magazine published three times a year you can read our latest issue here founded in 2012 by josephine corcoran the website s original aim was to publish poems that would otherwise not have been available online it is now edited by tom bailey

wulfsschädel and other poems a book by bill noble bookshop - Jul 15 2023

web romance comics graphic novels historical fiction horror literature fiction manga mystery thrillers crime poetry science fiction fantasy lgbtq fiction en español nonfiction

wulfsschädel and other poems by bill noble asma bcca - May 01 2022

web elements by obtaining the electronic files of this wulfsschädel and other poems by bill noble by online if you attempt to download and implement the wulfsschädel and other poems by bill noble it is entirely easy then currently speaking we extend the associate to buy and create bargains to download and install wulfsschädel and other poems

wulfsschadel and other poems uniport edu ng - Dec 28 2021

web mar 20 2023 wulfsschadel and other poems 1 1 downloaded from uniport edu ng on march 20 2023 by guest

wulfsschadel and other poems thank you extremely much for downloading wulfsschadel and other poems most likely you have knowledge that people have look numerous times for their favorite books like this wulfsschadel and

wulfsschadel and other poems blog ikeafoundation org - Sep 05 2022

web wulfsschadel and other poems eventually you will very discover a further experience and achievement by spending more cash nevertheless when attain you give a positive wulfsschdel and other poems bill noble 2019 01 29 a book of poems written across the years from the 1990s to the 2010s

wulfsschadel and other poems vpn bethnalgreenventures com - Oct 06 2022

web wulfsschadel and other poems 1 wulfsschadel and other poems wulfsschädel and other poems wulfsschadel and other poems downloaded from vpn bethnalgreenventures com carpenter houston wulfsschädel and other poems inde pendently published a book of poems written across the years from the 1990s to

wulfsschadel and other poems smartaboutrelationships com - Jun 14 2023

web apr 24 2023 wulfsschadel and other poems is available in our book collection an online access to it is set as public so you can download it instantly our books collection hosts in multiple countries allowing you to get the most less latency time to download any of our books like this one

wulfsschädel and other poems by bill noble store sbtexas - Aug 04 2022

web may 20 2023 wulfsschädel and other poems by bill noble store sbtexas com author august blatt store sbtexas com subject wulfsschädel and other poems by bill noble store sbtexas com keywords where to buy pro white music stormfront bill noble home facebook created date 5 20 2023 8 06 11 pm

wulfsschadel and other poems banking finance gov ie - May 13 2023

web wulfsschadel and other poems 1 wulfsschadel and other poems wulfsschädel and other poems wulfsschadel and other poems downloaded from banking finance gov ie by guest garrett london wulfsschädel and other poems independently published a book of poems written across the years from the 1990s to the 2010s best sellers books

states of matter class 11 chemistry chapter 10 exercise question - May 31 2022

web states of matter class 11 chemistry chapter 10 exercise question answer states of matter class 11chemistry11 classtates

of matter class 1110 chaptermaharas

maharashtra board class 11 chemistry solutions chapter 10 - Oct 04 2022

web oct 22 2021 balbharti maharashtra state board 11th chemistry textbook solutions chapter 10 states of matter textbook exercise questions and answers maharashtra

10 states of matter sharpschool - Aug 14 2023

web 1 answer the following questions in the space provided 1 identify whether the descriptions below describe an ideal gas or a real gas ideal gas a the gas will not condense

chapter 10 states of matter quiz flashcards quizlet - Sep 03 2022

web temperature decreases as well ke average 1 2mv 2 m mass v velocity gases 1 expand to fill containers 2 are fluid 3 have low density 4 diffuse due to contrast

chemistry ch 10 states of matter flashcards quizlet - Mar 09 2023

web 1 53 particles of matter are always in motion gas particles are in constant rapid motion motion increases with kinetic energy gases are small particles with mass gas

class 11 chemistry mcq states of matter sanfoundry - Nov 24 2021

web 1 what is the result of balancing between intermolecular forces and thermal energy a matter b three states of matter c four states of matter d chemical bond formation

states of matter 20 important questions youtube - Aug 02 2022

web 103k views 1 year ago cbse term2 20 important questions of states of matter class 11 term2 cbse playlist of questions of all term 2 chapters class 11th quest sample

ch 10 holt mcdougal modern chemistry chapter 10 - Jan 07 2023

web the kinetic theory of matter definition the four states of matter the kinetic theory of matter states that all matter is comprised of minuscule particles in random motion with

ch 10 states of matter youtube - Apr 29 2022

web all matter moves gases zoom liquids slide and solids vibrate see how kinetic theory applies to gases liquids and solids learn how gases have negligibl

mcqs on states of matter for neet 2023 byju s - Oct 24 2021

web answer b 8 find the relation between probable velocity mean velocity and root mean square velocity a b c d answer c 9 if 1 204 x 10²¹ molecules of h₂ so 4 are

balbharati solutions for chemistry 11th standard - Nov 05 2022

web get free balbharati solutions for chemistry 11th standard maharashtra state board chapter 10 states of matter solved by

experts available here are chapter 10 states of matter

holt mcdougal modern chemistry chapter 10 states of matter - Dec 06 2022

web holt mcdougal modern chemistry chapter 10 states of matter chapter exam free practice test instructions choose your answer to the question and click continue to

maharashtra board class 11 chemistry important questions - Dec 26 2021

web oct 25 2021 maharashtra state board 11th chemistry important questions chapter 10 states of matter question 1 what are the three distinct physical forms of a substance

chapter 10 states of matter flashcards quizlet - May 11 2023

web verified answer anatomy and physiology match the tissues in column a with the characteristics in column b place the letter of your choice in the space provided

chemistry 10 states of matter 112 plays quizizz - Apr 10 2023

web chemistry 10 states of matter quiz for kg students find other quizzes for chemistry and more on quizizz for free

states of matter class 11 notes toppr bytes - Feb 25 2022

web mar 23 2018 states of matter class 11 overview in our everyday life we can observe four different states of matter namely solid liquid gas and plasma however there are

10 states of matter chemistry exercise 11th science youtube - Jul 01 2022

web 10 states of matter gaseous and liquid states chemistry exercise 11th science maharashtra definitionstudy please subscribe to definition study ch

chapter 10 states of matter review chem quizlet - Jun 12 2023

web ideal gas the gas will not condense because the molecules do not attract each other ideal gas collisions between molecules are perfectly elastic real gas gas particles passing

chemistry chapter 10 states of matter flashcards quizlet - Jul 13 2023

web terms in this set 43 kinetic molecular theory based on the idea that particles of matter are always in motion ideal gas a hypothetical gas that perfectly fits all assumptions of the

jee main states of matter previous year questions with solutions - Jan 27 2022

web answer v rms t v 1 v 2 t 1 t 2 5 10 4 10 10 4 figuring out we get t 1 t 2 25 100 ¼ t 2 4t 1 henceforth choice 1 is the response question active

maharashtra board for class 11 chemistry ch 10 indcareer - Sep 22 2021

web dec 14 2021 maharashtra board solutions class 11 chemistry chapter 10 states of matter maharashtra board 11th chemistry chapter 10 class 11 chemistry chapter 10

states of matter 11 class 10 chapter chemistry exercise science - Mar 29 2022

web states of matter 11 class 10 chapter chemistry exercise science questions answer maharashtra board youtube states of matter 11 class 10 chapter chemistry

ch 10 states of matter chemistry quizizz - Feb 08 2023

web theory of matter the kinetic molecular theory is based on the idea that particles of matter are always in motion the theory can be used to explain the properties of solids liquids