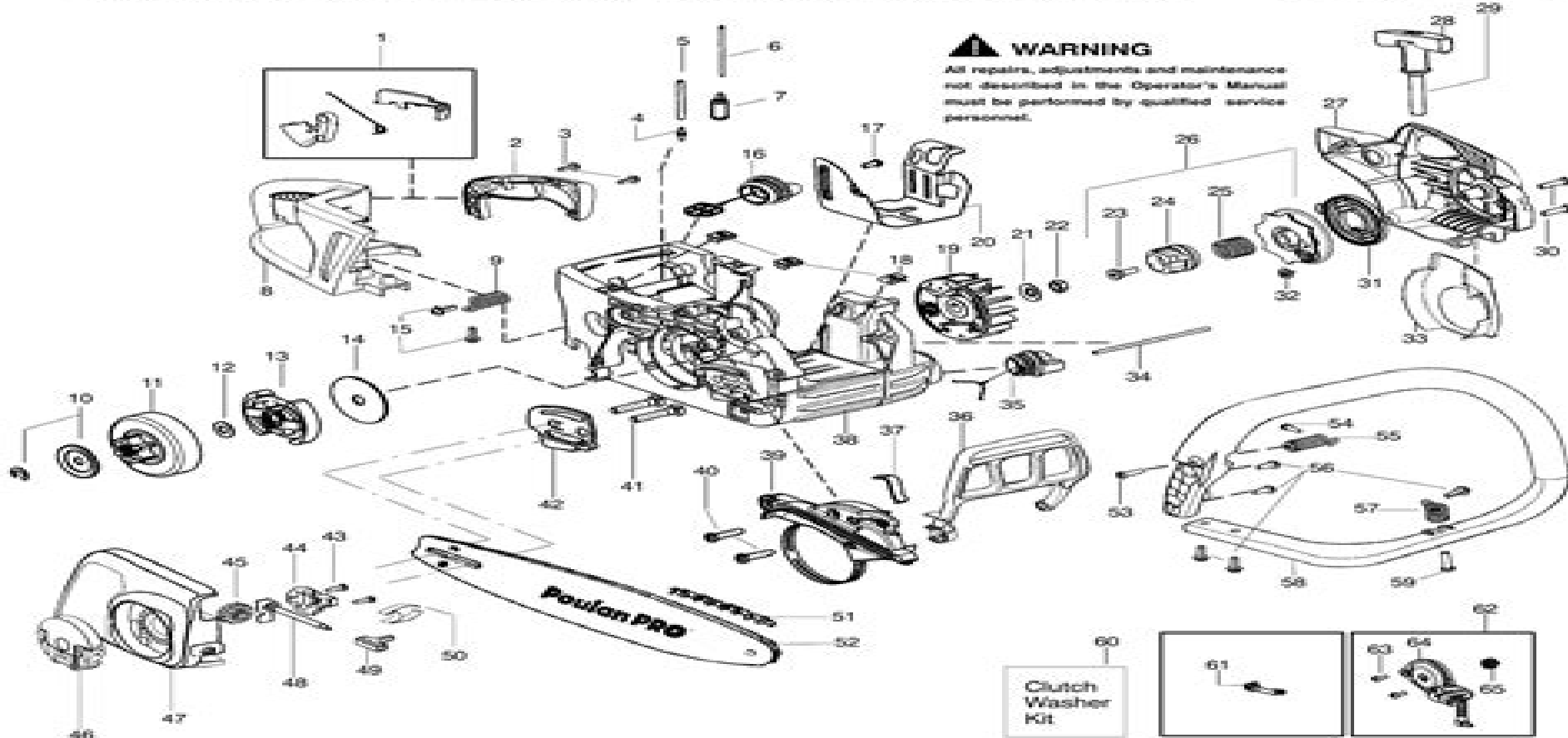


DATE
7/03/08Replaces
545103408 - 5/06/08

Note: Illustration may differ from actual model due to design changes

PAGE NO. 1



Ref.	Part No.	Description	Ref.	Part No.	Description	Ref.	Part No.	Description
1.	530071927	Kit- Trigger/Lockout	24.	530059677	Starter Hub-EPS	44.	530059999	Cover-Gearbox
2.	545011903	Cover-Handle	25.	530021180	Spring-EPS	45.	545039501	Wheel-Bar Adjust
3.	530016433	Screw	26.	530071966	Kit- EPS Starter Pulley (Incl. 23,24,25, 32)	46.	545040603	Assy-Knob
4.	530023877	Fitting-Fuel line	27.	545011703	Housing-Fan	47.	545027703	Clutch Cover
5.	530069216	Kit-Fuel Line (Large)	28.	530056402	Handle- Starter	48.	530150000	Assy-Adjust Screw
6.	530069247	Kit-Fuel Line (Small)	29.	530069232	Kit-Rope	49.	545157401	Pin-Bar Adjust
7.	530095649	Assy-Fuel Pick Up	30.	530016432	Screw	50.	545147001	Spring - Clip
8.	545012103	Handle-Rear	31.	530042095	Spring-Starter	51.	952051338	Accy- 18" Chain
9.	530059475	Spring-Rear Isolator	32.	530016090	Screw	52.	952044689	Accy- 18" Bar
10.	530071945	Kit-Clutch Washer	33.	530057868	Baffle	53.	530016432	Screw
11.	530057905	Assy-Clutch Drum 3/8"	34.	530058786	Assy-Oil Vent	54.	530016443	Screw
12.	530071945	Kit-Clutch Washer	35.	530057236	Washer-Large Clutch	55.	530059480	Assy-Rear Iso. Spring
13.	530057907	Assy-Clutch	36.	530057880	Handguard	56.	530015905	Screw
14.	530016419	Washer-Large Clutch	37.	530016418	Spring-Handguard	57.	530059479	Assy-Front Iso. Spring
15.	530015906	Screw	38.	545011803	Assy-Chassis (Incl. 4,5,6,7,9,15,16,17,18,20,34,35,37,41,57)	58.	530057878	Handle-Front
16.	530047192	Assy-Fuel Cap w/ret	39.	530071893	Kit-Chainbrake	59.	530016432	Screw
17.	530016064	Screw	40.	530016432	Screw	60.	530071945	Kit-Clutch Washer (Incl. 10,12)
18.	530015922	Nut-"L" type speed	41.	530016133	Bolt-Bar	61.	530057924	Assy-Oil Pick Up
19.	530039231	Assy-Flywheel	42.	530057910	Plate-Bar	62.	530071891	Kit-Oil Pump
20.	530057911	Shield-Heat	43.	530016064	Screw	63.	530016064	Screw
21.	530015127	Washer-Flywheel				64.	530057931	Assy-Oil Pump
22.	530016134	Nut-Flywheel				65.	530037820	Gear-Worm
23.	530021179	Screw-Shoulder						

✓ = NEW PART NUMBER FOR THIS SPL

* ** REFER TO THE SERVICE REFERENCE INDICATED FOR MORE INFORMATION, LOCATED AT END OF SPL

Poulan Pro Link Repair Manual French

**Chilton Automotive Books, Chilton
Book Company**



Poulan Pro Link Repair Manual French:

Embark on a breathtaking journey through nature and adventure with is mesmerizing ebook, Natureis Adventure: **Poulan Pro Link Repair Manual French** . This immersive experience, available for download in a PDF format (PDF Size: *), transports you to the heart of natural marvels and thrilling escapades. Download now and let the adventure begin!

<https://crm.avenza.com/book/Resources/default.aspx/Recipe%20For%20Kid%20With%20Allergy.pdf>

Table of Contents Poulan Pro Link Repair Manual French

1. Understanding the eBook Poulan Pro Link Repair Manual French
 - The Rise of Digital Reading Poulan Pro Link Repair Manual French
 - Advantages of eBooks Over Traditional Books
2. Identifying Poulan Pro Link Repair Manual French
 - Exploring Different Genres
 - Considering Fiction vs. Non-Fiction
 - Determining Your Reading Goals
3. Choosing the Right eBook Platform
 - Popular eBook Platforms
 - Features to Look for in an Poulan Pro Link Repair Manual French
 - User-Friendly Interface
4. Exploring eBook Recommendations from Poulan Pro Link Repair Manual French
 - Personalized Recommendations
 - Poulan Pro Link Repair Manual French User Reviews and Ratings
 - Poulan Pro Link Repair Manual French and Bestseller Lists
5. Accessing Poulan Pro Link Repair Manual French Free and Paid eBooks
 - Poulan Pro Link Repair Manual French Public Domain eBooks
 - Poulan Pro Link Repair Manual French eBook Subscription Services
 - Poulan Pro Link Repair Manual French Budget-Friendly Options
6. Navigating Poulan Pro Link Repair Manual French eBook Formats

- ePub, PDF, MOBI, and More
 - Poulan Pro Link Repair Manual French Compatibility with Devices
 - Poulan Pro Link Repair Manual French Enhanced eBook Features
7. Enhancing Your Reading Experience
 - Adjustable Fonts and Text Sizes of Poulan Pro Link Repair Manual French
 - Highlighting and Note-Taking Poulan Pro Link Repair Manual French
 - Interactive Elements Poulan Pro Link Repair Manual French
 8. Staying Engaged with Poulan Pro Link Repair Manual French
 - Joining Online Reading Communities
 - Participating in Virtual Book Clubs
 - Following Authors and Publishers Poulan Pro Link Repair Manual French
 9. Balancing eBooks and Physical Books Poulan Pro Link Repair Manual French
 - Benefits of a Digital Library
 - Creating a Diverse Reading Collection Poulan Pro Link Repair Manual French
 10. Overcoming Reading Challenges
 - Dealing with Digital Eye Strain
 - Minimizing Distractions
 - Managing Screen Time
 11. Cultivating a Reading Routine Poulan Pro Link Repair Manual French
 - Setting Reading Goals Poulan Pro Link Repair Manual French
 - Carving Out Dedicated Reading Time
 12. Sourcing Reliable Information of Poulan Pro Link Repair Manual French
 - Fact-Checking eBook Content of Poulan Pro Link Repair Manual French
 - Distinguishing Credible Sources
 13. Promoting Lifelong Learning
 - Utilizing eBooks for Skill Development
 - Exploring Educational eBooks
 14. Embracing eBook Trends
 - Integration of Multimedia Elements
 - Interactive and Gamified eBooks

Poulan Pro Link Repair Manual French Introduction

In the digital age, access to information has become easier than ever before. The ability to download Poulan Pro Link Repair Manual French has revolutionized the way we consume written content. Whether you are a student looking for course material, an avid reader searching for your next favorite book, or a professional seeking research papers, the option to download Poulan Pro Link Repair Manual French has opened up a world of possibilities. Downloading Poulan Pro Link Repair Manual French provides numerous advantages over physical copies of books and documents. Firstly, it is incredibly convenient. Gone are the days of carrying around heavy textbooks or bulky folders filled with papers. With the click of a button, you can gain immediate access to valuable resources on any device. This convenience allows for efficient studying, researching, and reading on the go. Moreover, the cost-effective nature of downloading Poulan Pro Link Repair Manual French has democratized knowledge. Traditional books and academic journals can be expensive, making it difficult for individuals with limited financial resources to access information. By offering free PDF downloads, publishers and authors are enabling a wider audience to benefit from their work. This inclusivity promotes equal opportunities for learning and personal growth. There are numerous websites and platforms where individuals can download Poulan Pro Link Repair Manual French. These websites range from academic databases offering research papers and journals to online libraries with an expansive collection of books from various genres. Many authors and publishers also upload their work to specific websites, granting readers access to their content without any charge. These platforms not only provide access to existing literature but also serve as an excellent platform for undiscovered authors to share their work with the world. However, it is essential to be cautious while downloading Poulan Pro Link Repair Manual French. Some websites may offer pirated or illegally obtained copies of copyrighted material. Engaging in such activities not only violates copyright laws but also undermines the efforts of authors, publishers, and researchers. To ensure ethical downloading, it is advisable to utilize reputable websites that prioritize the legal distribution of content. When downloading Poulan Pro Link Repair Manual French, users should also consider the potential security risks associated with online platforms. Malicious actors may exploit vulnerabilities in unprotected websites to distribute malware or steal personal information. To protect themselves, individuals should ensure their devices have reliable antivirus software installed and validate the legitimacy of the websites they are downloading from. In conclusion, the ability to download Poulan Pro Link Repair Manual French has transformed the way we access information. With the convenience, cost-effectiveness, and accessibility it offers, free PDF downloads have become a popular choice for students, researchers, and book lovers worldwide. However, it is crucial to engage in ethical downloading practices and prioritize personal security when utilizing online platforms. By doing so, individuals can make the most of the vast array of free PDF resources available and embark on a journey of continuous learning and intellectual growth.

FAQs About Poulan Pro Link Repair Manual French Books

How do I know which eBook platform is the best for me? Finding the best eBook platform depends on your reading preferences and device compatibility. Research different platforms, read user reviews, and explore their features before making a choice. Are free eBooks of good quality? Yes, many reputable platforms offer high-quality free eBooks, including classics and public domain works. However, make sure to verify the source to ensure the eBook credibility. Can I read eBooks without an eReader? Absolutely! Most eBook platforms offer web-based readers or mobile apps that allow you to read eBooks on your computer, tablet, or smartphone. How do I avoid digital eye strain while reading eBooks? To prevent digital eye strain, take regular breaks, adjust the font size and background color, and ensure proper lighting while reading eBooks. What the advantage of interactive eBooks? Interactive eBooks incorporate multimedia elements, quizzes, and activities, enhancing the reader engagement and providing a more immersive learning experience. Poulan Pro Link Repair Manual French is one of the best book in our library for free trial. We provide copy of Poulan Pro Link Repair Manual French in digital format, so the resources that you find are reliable. There are also many Ebooks of related with Poulan Pro Link Repair Manual French. Where to download Poulan Pro Link Repair Manual French online for free? Are you looking for Poulan Pro Link Repair Manual French PDF? This is definitely going to save you time and cash in something you should think about.

Find Poulan Pro Link Repair Manual French :

recipe for kid with allergy

~~recipe for green slime~~

~~recipe ice cream cakes~~

~~recipe for les treches~~

~~recipe italian braised beef easy~~

~~recipe for rice pudding like at jewel~~

~~recipe garden hot pepper spray~~

~~recipe for sandwichs~~

~~recipe for tempura sauce~~

recipe for gingerbread man

~~recipe for really tender chicken~~

recipe for orange scones

recipe for temporary hair color

recipe for how to make sauerkraut
recipe for green bean cassarole

Poulan Pro Link Repair Manual French :

where to download brainpop word scramble ctpuresm pdf - May 13 2023

web brainpop word scramble ctpuresm as one of the most vigorous sellers here will unquestionably be in the course of the best options to review yeah reviewing a book brainpop word scramble ctpuresm could build up your near friends listings this is just one of the solutions for you to be successful as understood ability does not

solving word problems brainpop jr - Aug 04 2022

web try your hand at computer programming with creative coding learn how you can get access to hundreds of topic specific coding projects already have an individual account with creative coding

downloadable free pdfs brainpop word scramble ctpuresm pdf - Apr 12 2023

web brainpop word scramble ctpuresm pdf and numerous book collections from fictions to scientific research in any way along with them is this brainpop word scramble ctpuresm pdf that can be your partner

brainpop - Dec 28 2021

web 1999 2023 brainpop all rights reserved terms of use privacy trademarks and copyrights accessibility do not sell my personal information

brainpop word scramble ctpuresm pdf pdf plato writermag com - Jan 09 2023

web brainpop word scramble ctpuresm pdf if you ally compulsion such a referred brainpop word scramble ctpuresm pdf books that will pay for you worth acquire the categorically best seller from us currently from several preferred authors if you want to hilarious books lots of novels tale jokes and more fictions

brainpop word scramble ctpuresm ma swischoolwear co uk - Jun 02 2022

web title brainpop word scramble ctpuresm download only ma swischoolwear co uk author gwendolyn warren created date 6 29 2023 6 15 56 am

brainpop word scramble ctpuresm pdf full pdf - Mar 31 2022

web jun 4 2023 brainpop word scramble ctpuresm pdf for that reason simple brainpop web brainpop animated educational site for kids 2 science social studies english math arts music health and technology brainpop word scramble ctpuresm uniport edu ng web apr 25 2023 brainpop word scramble

brainpop word scramble ctpuresm pdf copy black ortax - Feb 10 2023

web title brainpop word scramble ctpuresm pdf copy black ortax org created date 9 6 2023 4 44 03 am

brainpop word scramble ctpuresm pdf download only - Oct 06 2022

web mar 13 2023 web brainpop word scramble ctpuresm luftop de april 23rd 2018 brainpop word scramble ctpuresm ebooks in pdf mobi epub with isbn isbn785458 and file size is about 59 mb labels brainpop word scramble ctpuresm

brainpop - Aug 16 2023

web brainpop animated educational site for kids science social studies english math arts music health and technology

brainpop word scramble ctpuresm uniport edu ng - Nov 07 2022

web mar 29 2023 brainpop word scramble ctpuresm 1 1 downloaded from uniport edu ng on march 29 2023 by guest brainpop word scramble ctpuresm thank you very much for reading brainpop word scramble ctpuresm as you may know people have look hundreds times for their chosen readings like this brainpop word scramble ctpuresm but end up

brainpop youtube - May 01 2022

web brainpop brainpop 174k subscribers 45 videos brainpop creates animated curricular content that engages students supports educators and bolsters achievement our award winning online

brainpop - Sep 05 2022

web brainpop loading

brainpop word scramble ctpuresm wp publish com - Mar 11 2023

web brainpop word scramble ctpuresm book review unveiling the magic of language in an electronic era where connections and knowledge reign supreme the enchanting power of language has are more apparent than ever

brainpop word scramble ctpuresm pdf book - Jun 14 2023

web brainpop word scramble ctpuresm pdf if you ally need such a referred brainpop word scramble ctpuresm pdf book that will manage to pay for you worth acquire the completely best seller from us currently from several preferred authors if you want to comical books lots of novels tale jokes and more fictions collections are furthermore

brainpop word scramble ctpuresm ma swischoolwear co uk - Jul 03 2022

web title brainpop word scramble ctpuresm download only ma swischoolwear co uk author castillo phoebe created date 7 1 2023 10 07 05 pm

brainpop word scramble ctpuresm pdf download - Jul 15 2023

web free book brainpop word scramble ctpuresm pdf books this is the book you are looking for from the many other titlesof brainpop word scramble ctpuresm pdf books here is alsoavailable other sources of this manual metcaluser guide holiday word scramble puzzles holiday word

brainpop word scramble ctpuresm - Dec 08 2022

web brainpop word scramble ctpuresm 1 brainpop word scramble ctpuresm if you ally compulsion such a referred brainpop

word scramble ctpuresm books that will have the funds for you worth get the utterly best seller from us currently from several preferred authors if you desire to comical books lots of novels tale jokes and more

brain pop graphic organizer worksheets learny kids - Feb 27 2022

web some of the worksheets for this concept are brainpop states of matter graphic organizer answers f i g u r a t i v e l a n g u a g e l e graphic sources work brainpop word scramble ctpuresm three branches of government graphic organizer brainpop word scramble ctpuresm opinion paper graphic organizer biomes graphic organizer answer key

brainpop word scramble ctpuresm mensajeria recamier com - Jan 29 2022

web brainpop word scramble ctpuresm 1 brainpop word scramble ctpuresm recognizing the artifice ways to get this ebook brainpop word scramble ctpuresm is additionally useful you have remained in right site to start getting this info get the brainpop word scramble ctpuresm link that we have the funds for here and check out the link

pest analysis of china pdf china world politics scribd - Mar 14 2022

web jun 13 2023 pest analysis political economic social and technological is a method whereby an organization can assess major external factors that influence its operation in

pest analysis of china - Aug 31 2023

political factors which impact china are 1 government regulations both formal and informal rules which firms must abide by impact the country many people claim that the political force is the most unsettled force over the past few years the government focused on the development of e commerce 1 see more

[pestle analysis of china business management](#) - Apr 26 2023

web pest analysis china july 2023 economic freedom is negatively impacted by authoritarianism in china with the state becoming increasingly repressive the zero

china energy industry pest analysis report 2023 - Jun 16 2022

web this report will cover the reason for doing business in china defines and identify the macro environment of china in term of political economic social and technology factors in

a pestel analysis of chinas current economy uk essays - Oct 09 2021

pdf china a pestel analysis researchgate - Dec 23 2022

web pestle analysis of china china is one of the largest markets that exist in the current world due to its sheer population this makes the country a highly attractive market for

pest analysis china market research report euromonitor - Jun 28 2023

the social and cultural aspect of china plays an important role as the demographics constantly change for example population

growth and age distribution see more

[china market research reports pest analysis and](#) - Jan 24 2023

web this pestle country analysis report on china provides a holistic view of the country with insightful analysis of current and future issues supplemented with relevant quantitative

pestel analysis of china pdf china world politics scribd - Apr 14 2022

web mar 10 2023 dublin march 10 2023 globe newswire the china energy industry pest framework analysis report has been added to researchandmarkets com s

pestle analysis of china marketing tutor - Sep 19 2022

web mar 10 2023 dublin march 10 2023 globe newswire the china energy industry pest framework analysis report has been added to researchandmarkets com s

china in depth pestle insights research and markets - Oct 21 2022

web aug 24 2022 1 7k release time 2022 08 24 the pestel analysis of china demonstrates how external factors influence the country s current situation the pestel

china energy industry pest analysis report 2023 yahoo finance - Jan 12 2022

web a pest analysis is one of strategic tools for analyzing the environmental influences including political economic social and technological factors on the business

china stock investors say worst yet to come in property crisis - Sep 07 2021

[pestel analysis of china howandwhat net](#) - May 28 2023

some common technological factors studied in pest are 1 new products being developed 2 new purchasing mechanisms such as the intranet and extranet 3 see more

[what is pest analysis its applications and uses in business](#) - Dec 11 2021

web 1 day ago by bloomberg news september 29 2023 at 5 00 pm pdt china s property sector has yet to see the worst of the crisis that has cast a pall over the nation s economy

a pest analysis of china linkedin - Aug 19 2022

web apr 9 2019 in particular huawei s economic success is a function of both the chinese economy and the economy of its target market mostly the european union the

pestle analysis of huawei how china affects its success - May 16 2022

web dec 20 2015 this is the detailed pestle analysis of china which is important for understanding the external factors that affect the industry s growth and profitability

[a pestel analysis of china macro environmental](#) - Mar 26 2023

web mar 5 2023 published mar 5 2023 follow the detailed pestel analysis of china aims to explore some of the political economic social technological environmental and

china pestle analysis mind map edrawmind - Jul 18 2022

web pestel analysis of china this is a detailed pestle analysis of china which aims to explore some of the political economic social technological environmental and legal

[review of pestel analysis in china linkedin](#) - Feb 22 2023

web may 2 2023 china macroeconomic report overview mining manufacturing and utilities activities contributed 30.6 to the gross value added gva in 2022 followed by

pestle analysis of china free pestel analysis - Feb 10 2022

web feb 22 2019 pest analysis of china introduction introduction there is little doubt that these days economic process brings opportunities for corporations to expand their business activities simply to require benefits of different country's growth through investment activities however before

china macroeconomic report outlook pestle insights report - Nov 21 2022

web may 12 2018 a pest analysis of china lan liu all wines should be tasted some should only be sipped but with others drink the whole bottle paulo coelho published may

[pest analysis of china by jamie lee prezi](#) - Nov 09 2021

detailed pestel analysis of china edrawmax online - Jul 30 2023

over the past five years china's economy experienced significant gdp growth rate reports suggest that if china continues to excel at this rate it will surpass us see more

kaplan pcat 2012 2013 pdf ebooks pdf free voto uncal edu - Feb 23 2022

web kaplan pcat 2012 2013 edition kaplan on amazon.com.au free shipping on eligible orders kaplan pcat 2012 2013 edition skip to main content.com.au delivering to

kaplan pcat 2012 2013 pdf ebooks pdf wrbb neu - Jul 11 2023

web right here we have countless books kaplan pcat 2012 2013 pdf ebooks and collections to check out we additionally manage to pay for variant types and after that type of the

kaplan pcat 2012 2013 pdf ebooks wrbb neu - Nov 03 2022

web now fully revised and updated the kaplan pcat 2012 2013 guide provides future pharmacy students with the best test taking strategies to help them get the scores they

kaplan mcat books pdf r mcat reddit - Oct 22 2021

kaplan pcat 2012 2013 paperback 18 july 2011 - May 29 2022

web jan 8 2013 with nearly 70 years of experience kaplan has designed its pcat prep materials with the test taker in mind
product details publisher kaplan publishing 1st

kaplan pcat 2012 2013 1st first edition paperback - Mar 27 2022

web kaplan pcat 2012 2013 pdf ebooks pdf thank you for downloading kaplan pcat 2012 2013 pdf ebooks pdf maybe you have
knowledge that people have search hundreds

kaplan pcat 2012 2013 pdf ebooks download only - Aug 12 2023

web download any of our books following this one merely said the kaplan pcat 2012 2013 pdf ebooks is universally
compatible following any devices to read kaplan pcat 2012 2013

kaplan pcat 2012 2013 pdf ebooks tug do nlnetlabs nl - Dec 24 2021

web y6h1ak3fcqnc doc kaplan pcat 2013 2014 paperback download ebook online kaplan pcat 2013 2014 paperback to read
kaplan pcat 2013 2014

kaplan pcat 2013 2014 paperback readlank netlify app - Nov 22 2021

web 63 r mcat join 28 days ago i got a 520 while working full time and studying for almost a year study plan for my original 3
month plan and for the extended year plan is split into

kaplan pcat 2013 2014 1st edition amazon com - Apr 27 2022

web jan 1 2011 kaplan pcat 2012 2013 1st first edition kaplan on amazon com free shipping on qualifying offers kaplan pcat
2012 2013 1st first edition skip to main

kaplan pcat 2012 2013 by kaplan test prep goodreads - Feb 06 2023

web may 3 2011 now fully revised and updated the kaplan pcat 2012 2013 guide provides future pharmacy students with
the best test taking strategies to help them get the scores

kaplan pcat 2012 2013 ebooknetworking net - Oct 02 2022

web may 3 2011 fully updated and revised a thorough review of all tested subjects on the pharmacy college admission test
along with kaplan s proven test taking

kaplan pcat 2012 2013 edition paperback 3 may 2011 - Jan 25 2022

web aug 16 2023 ebook online kaplan pcat 2012 2013 get pdf video dailymotion comprehensive tools to prepare for the tug
do nlnetlabs nl 5 80 pcat kaplan pcat

kaplan pcat 2012 2013 solution manual chegg com - Jan 05 2023

web why is chegg study better than downloaded kaplan pcat 2012 2013 pdf solution manuals it s easier to figure out tough problems faster using chegg study unlike static

pcat prep plus by kaplan test prep ebook scribd - Apr 08 2023

web about this ebook kaplan s pcat prep plus third edition is up to date with the latest test changes and includes all the content and strategies you need to get the pcat results

kaplan pcat 2012 2013 by kaplan paperback barnes noble - Sep 01 2022

web jun 21 2023 kaplan pcat 2012 2013 pdf ebooks pdf is easy to use in our digital library an online right of entry to it is set as public in view of that you can download it instantly

searching for a kaplan 2013 ebook or pdf opentuition - Jun 10 2023

web feb 25 2013 forums acca forums acca lw corporate and business law forums searching for a kaplan 2013 ebook or pdf this topic has 4 replies 4 voices and was

free pdf download kaplan pcat 2012 2013 pdf ebooks - Jun 29 2022

web buy kaplan pcat 2012 2013 2012 2013 ed by kaplan isbn 9781609781101 from amazon s book store everyday low prices and free delivery on eligible orders kaplan

pcat books kaplan test prep - Dec 04 2022

web download pdf kaplan pcat 2012 2013 by rosalesa published on 2022 09 07t00 50 44z kaplan pcat 2012 2013 ebook pdf download link

kaplan pcat 2012 2013 kaplan google books - Sep 13 2023

web now fully revised and updated the kaplan pcat 2012 2013 guide provides future pharmacy students with the best test taking strategies to help them get the scores they

kaplan pcat 2012 2013 book 369 slideshare - May 09 2023

web kaplan pcat 2012 2013 book detail book format pdf epub audiobook magazine language english asin 1609781104 paperback 181 pages product dimensions

pcat prep plus 2 practice tests proven strategies - Mar 07 2023

web mar 1 2022 kaplan s pcat prep plus third edition is up to date with the latest test changes and includes all the content and strategies you need to get the pcat results

kaplan pcat 2012 2013 pdf ebooks pdf gestudy byu edu - Jul 31 2022

web kaplan pcat 2012 2013 pdf ebooks e book platforms for libraries dec 26 2019 e book vendors continue to experiment adjustments to business models consolidation of