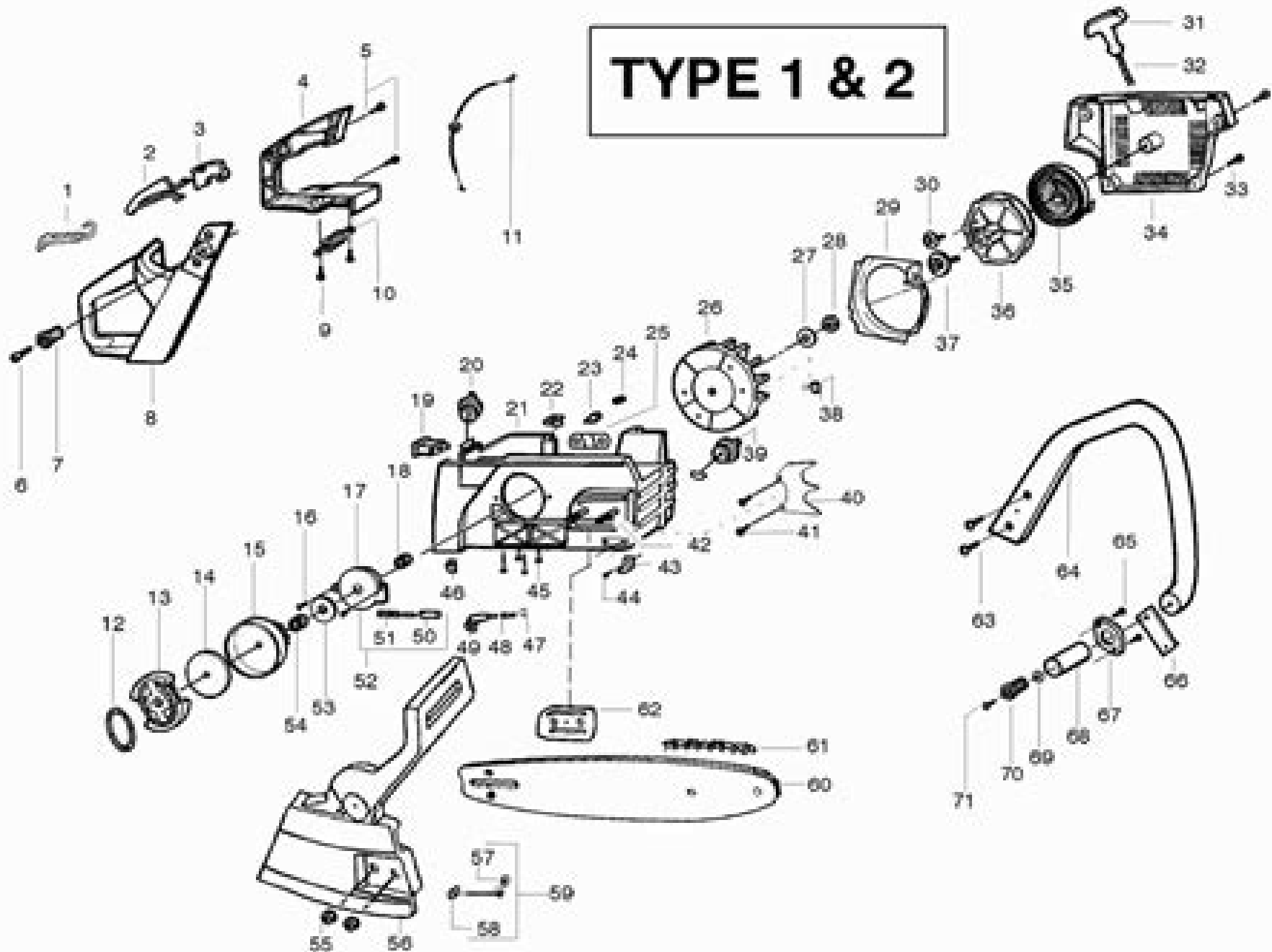


TYPE 1 & 2



Poulan Pro 700 Ex Manual

Anthony S. Fauci



Poulan Pro 700 Ex Manual:

Immerse yourself in the artistry of words with is expressive creation, Immerse Yourself in **Poulan Pro 700 Ex Manual** . This ebook, presented in a PDF format (PDF Size: *), is a masterpiece that goes beyond conventional storytelling. Indulge your senses in prose, poetry, and knowledge. Download now to let the beauty of literature and artistry envelop your mind in a unique and expressive way.

https://crm.avenza.com/files/publication/Documents/ny_court_officer_exam_2014.pdf

Table of Contents Poulan Pro 700 Ex Manual

1. Understanding the eBook Poulan Pro 700 Ex Manual
 - The Rise of Digital Reading Poulan Pro 700 Ex Manual
 - Advantages of eBooks Over Traditional Books
2. Identifying Poulan Pro 700 Ex Manual
 - Exploring Different Genres
 - Considering Fiction vs. Non-Fiction
 - Determining Your Reading Goals
3. Choosing the Right eBook Platform
 - Popular eBook Platforms
 - Features to Look for in an Poulan Pro 700 Ex Manual
 - User-Friendly Interface
4. Exploring eBook Recommendations from Poulan Pro 700 Ex Manual
 - Personalized Recommendations
 - Poulan Pro 700 Ex Manual User Reviews and Ratings
 - Poulan Pro 700 Ex Manual and Bestseller Lists
5. Accessing Poulan Pro 700 Ex Manual Free and Paid eBooks
 - Poulan Pro 700 Ex Manual Public Domain eBooks
 - Poulan Pro 700 Ex Manual eBook Subscription Services
 - Poulan Pro 700 Ex Manual Budget-Friendly Options

6. Navigating Poulan Pro 700 Ex Manual eBook Formats
 - ePub, PDF, MOBI, and More
 - Poulan Pro 700 Ex Manual Compatibility with Devices
 - Poulan Pro 700 Ex Manual Enhanced eBook Features
7. Enhancing Your Reading Experience
 - Adjustable Fonts and Text Sizes of Poulan Pro 700 Ex Manual
 - Highlighting and Note-Taking Poulan Pro 700 Ex Manual
 - Interactive Elements Poulan Pro 700 Ex Manual
8. Staying Engaged with Poulan Pro 700 Ex Manual
 - Joining Online Reading Communities
 - Participating in Virtual Book Clubs
 - Following Authors and Publishers Poulan Pro 700 Ex Manual
9. Balancing eBooks and Physical Books Poulan Pro 700 Ex Manual
 - Benefits of a Digital Library
 - Creating a Diverse Reading Collection Poulan Pro 700 Ex Manual
10. Overcoming Reading Challenges
 - Dealing with Digital Eye Strain
 - Minimizing Distractions
 - Managing Screen Time
11. Cultivating a Reading Routine Poulan Pro 700 Ex Manual
 - Setting Reading Goals Poulan Pro 700 Ex Manual
 - Carving Out Dedicated Reading Time
12. Sourcing Reliable Information of Poulan Pro 700 Ex Manual
 - Fact-Checking eBook Content of Poulan Pro 700 Ex Manual
 - Distinguishing Credible Sources
13. Promoting Lifelong Learning
 - Utilizing eBooks for Skill Development
 - Exploring Educational eBooks
14. Embracing eBook Trends
 - Integration of Multimedia Elements

- Interactive and Gamified eBooks

Poulan Pro 700 Ex Manual Introduction

Free PDF Books and Manuals for Download: Unlocking Knowledge at Your Fingertips In today's fast-paced digital age, obtaining valuable knowledge has become easier than ever. Thanks to the internet, a vast array of books and manuals are now available for free download in PDF format. Whether you are a student, professional, or simply an avid reader, this treasure trove of downloadable resources offers a wealth of information, conveniently accessible anytime, anywhere. The advent of online libraries and platforms dedicated to sharing knowledge has revolutionized the way we consume information. No longer confined to physical libraries or bookstores, readers can now access an extensive collection of digital books and manuals with just a few clicks. These resources, available in PDF, Microsoft Word, and PowerPoint formats, cater to a wide range of interests, including literature, technology, science, history, and much more. One notable platform where you can explore and download free Poulan Pro 700 Ex Manual PDF books and manuals is the internet's largest free library. Hosted online, this catalog compiles a vast assortment of documents, making it a veritable goldmine of knowledge. With its easy-to-use website interface and customizable PDF generator, this platform offers a user-friendly experience, allowing individuals to effortlessly navigate and access the information they seek. The availability of free PDF books and manuals on this platform demonstrates its commitment to democratizing education and empowering individuals with the tools needed to succeed in their chosen fields. It allows anyone, regardless of their background or financial limitations, to expand their horizons and gain insights from experts in various disciplines. One of the most significant advantages of downloading PDF books and manuals lies in their portability. Unlike physical copies, digital books can be stored and carried on a single device, such as a tablet or smartphone, saving valuable space and weight. This convenience makes it possible for readers to have their entire library at their fingertips, whether they are commuting, traveling, or simply enjoying a lazy afternoon at home. Additionally, digital files are easily searchable, enabling readers to locate specific information within seconds. With a few keystrokes, users can search for keywords, topics, or phrases, making research and finding relevant information a breeze. This efficiency saves time and effort, streamlining the learning process and allowing individuals to focus on extracting the information they need. Furthermore, the availability of free PDF books and manuals fosters a culture of continuous learning. By removing financial barriers, more people can access educational resources and pursue lifelong learning, contributing to personal growth and professional development. This democratization of knowledge promotes intellectual curiosity and empowers individuals to become lifelong learners, promoting progress and innovation in various fields. It is worth noting that while accessing free Poulan Pro 700 Ex Manual PDF books and manuals is convenient and cost-effective, it is vital to respect copyright laws and intellectual property rights. Platforms offering free downloads often operate within legal boundaries,

ensuring that the materials they provide are either in the public domain or authorized for distribution. By adhering to copyright laws, users can enjoy the benefits of free access to knowledge while supporting the authors and publishers who make these resources available. In conclusion, the availability of Poulan Pro 700 Ex Manual free PDF books and manuals for download has revolutionized the way we access and consume knowledge. With just a few clicks, individuals can explore a vast collection of resources across different disciplines, all free of charge. This accessibility empowers individuals to become lifelong learners, contributing to personal growth, professional development, and the advancement of society as a whole. So why not unlock a world of knowledge today? Start exploring the vast sea of free PDF books and manuals waiting to be discovered right at your fingertips.

FAQs About Poulan Pro 700 Ex Manual Books

What is a Poulan Pro 700 Ex Manual PDF? A PDF (Portable Document Format) is a file format developed by Adobe that preserves the layout and formatting of a document, regardless of the software, hardware, or operating system used to view or print it. **How do I create a Poulan Pro 700 Ex Manual PDF?** There are several ways to create a PDF: Use software like Adobe Acrobat, Microsoft Word, or Google Docs, which often have built-in PDF creation tools. Print to PDF: Many applications and operating systems have a "Print to PDF" option that allows you to save a document as a PDF file instead of printing it on paper. Online converters: There are various online tools that can convert different file types to PDF. **How do I edit a Poulan Pro 700 Ex Manual PDF?** Editing a PDF can be done with software like Adobe Acrobat, which allows direct editing of text, images, and other elements within the PDF. Some free tools, like PDFescape or Smallpdf, also offer basic editing capabilities. **How do I convert a Poulan Pro 700 Ex Manual PDF to another file format?** There are multiple ways to convert a PDF to another format: Use online converters like Smallpdf, Zamzar, or Adobe Acrobat's export feature to convert PDFs to formats like Word, Excel, JPEG, etc. Software like Adobe Acrobat, Microsoft Word, or other PDF editors may have options to export or save PDFs in different formats. **How do I password-protect a Poulan Pro 700 Ex Manual PDF?** Most PDF editing software allows you to add password protection. In Adobe Acrobat, for instance, you can go to "File" -> "Properties" -> "Security" to set a password to restrict access or editing capabilities. Are there any free alternatives to Adobe Acrobat for working with PDFs? Yes, there are many free alternatives for working with PDFs, such as: LibreOffice: Offers PDF editing features. PDFsam: Allows splitting, merging, and editing PDFs. Foxit Reader: Provides basic PDF viewing and editing capabilities. How do I compress a PDF file? You can use online tools like Smallpdf, ILovePDF, or desktop software like Adobe Acrobat to compress PDF files without significant quality loss. Compression reduces the file size, making it easier to share and download. Can I fill out forms in a PDF file? Yes, most PDF viewers/editors like Adobe Acrobat, Preview (on Mac),

or various online tools allow you to fill out forms in PDF files by selecting text fields and entering information. Are there any restrictions when working with PDFs? Some PDFs might have restrictions set by their creator, such as password protection, editing restrictions, or print restrictions. Breaking these restrictions might require specific software or tools, which may or may not be legal depending on the circumstances and local laws.

Find Poulan Pro 700 Ex Manual :

[ny court officer exam 2014](#)

nutritional and keeping qualities of processed Nile tilapia

~~nx ideas manual~~

~~numerical method student solutions manual burden faires~~

nursing leadership study guide

[nursing application for 2016 in gauteng](#)

[nursing school in kroonstad registration dates 2015](#)

nuclear road trip onward to destruction

numerical methods for engineers chapra solution manual rwdtven

nursing lpn hesi study guide

nwu mafikeng funza lushaka bursary form 2016

[nursing process paper sample](#)

[nursing learnership 2016](#)

~~nuclear reactor report write~~

[nurse training intake for 2015 at klerksdorp](#)

Poulan Pro 700 Ex Manual :

chesneys equipment for student radiographers amazon com - Jun 02 2023

web jan 15 1994 chesneys equipment for student radiographers 9780632027248 medicine health science books amazon com books new used rental textbooks medicine health sciences paperback 60 60 64 15 other used and new from 2 34 buy new 64 15 list price 91 95 details save 27 80 30 3 99 delivery august 29

chesneys equipment for student radiographers by p h carter - Aug 24 2022

web noreen chesney 1971 chesneys equipment for student radiographers p h carter 1994 05 11 the new edition of this

established text has been thoroughly revised and updated multipurpose radiographic equipment part four considers fluoroscopic equipment and the remaining two parts provide accounts of more specialized radiographic

chesney radiographic equipment - Mar 19 2022

web chesney radiographic equipment 5 5 platform for instructors who want to post course materials online expanded coverage to include technique and positioning adjustments required by computed radiography pediatric radiography covering radiation protection and special problems of obtaining high quality images of pediatric patients evaluation

pdf book chesneys equipment for student - Jul 23 2022

web feb 7 2020 chesneys equipment for student radiographer s book detail paperback 315 pages publisher wiley blackwell 4 edition january 15 1994 language english isbn 10 063202724x isbn 13 978 0632027248 product dimensions 6 7 x 0 8 x 9 6 inches shipping weight 1 6 pounds view shipping rates and policies customer reviews

chesneys radiographic imaging ball j l archive org - May 21 2022

web chesneys radiographic imaging ball j l free download borrow and streaming internet archive

chesneys radiographic imaging 6th edition libribook - Jul 03 2023

web nov 30 2018 chesneys radiographic imaging 6th edition pdf following the success of the previous editions of this established text the sixth edition of chesneys radiographic imaging reflects the advances in radiography education and practice and the changing role of the radiographer

chesneys equipment for student radiographers goodreads - Sep 05 2023

web 10 ratings 1 review the new edition of this established text has been thoroughly revised and updated it is divided into six parts the first two parts cover the x ray tube and x ray generators part three looks at general multipurpose radiographic equipment

chesney radiographic equipment tpc redmatters com - Feb 15 2022

web 2 chesney radiographic equipment 2022 06 14 they can avoid retakes and reduce radiation exposure for patients and themselves provides numerous critique images for evaluation so that readers can study poor images and understand what factors contributed to their production and what adjustments need to be made

chesney radiographic equipment 2023 - May 01 2023

web chesney radiographic equipment care of the patient in diagnostic radiography jul 21 2023 inis atomindex may 07 2022 an introduction to radiography e book sep 11 2022 this book provides an overview of all aspects of radiography for the practitioner it is written to address the areas of practice of assistant

chesneys radiographic imaging john l ball tony price - Mar 31 2023

web aug 3 1995 john l ball tony price wiley aug 3 1995 medical 448 pages following the success of the previous editions of

this established text the sixth edition of chesneys radiographic imaging reflects the advances in radiography education and practice and the changing role of the radiographer

chesney radiographic equipment - Jan 29 2023

web 2 chesney radiographic equipment 2019 09 18 best books of the year by the new york times book review entertainment weekly o the oprah magazine npr financial times new york independent u k times u k publishers weekly library journal kirkus reviews booklist globe and mail her name was henrietta

chesneys radiographic imaging 6th edition wiley - Dec 28 2022

web this is a dummy description following the success of the previous editions of this established text the sixth edition of chesneys radiographic imaging reflects the advances in radiography education and practice and the changing role of the radiographer

chesneys equipment for student radiographers 4th edition - Oct 06 2023

web description the new edition of this established text has been thoroughly revised and updated it is divided into six parts the first two parts cover the x ray tube and x ray generators part three looks at general multipurpose radiographic equipment

x ray equipment for student radiographers d noreen chesney - Sep 24 2022

web x ray equipment for student radiographers d noreen chesney muriel o chesney blackwell scientific publications 1984 medical radiology 644 pages

x ray equipment for student radiographers chesney d noreen - Oct 26 2022

web topics technology radiologic instrumentation radiography medical equipment and supplies medical radiographic equipment

chesneys equipment for student radiographers google books - Aug 04 2023

web may 11 1994 the first two parts cover the x ray tube and x ray generators part three looks at general multipurpose radiographic equipment part four considers fluoroscopic equipment and the remaining

chesneys equipment for student radiographers softcover - Apr 19 2022

web the first two parts cover the x ray tube and x ray generators part three looks at general multipurpose radiographic equipment part four considers fluoroscopic equipment chesney s equipment for student radiographers carter p h published by john wiley and sons ltd 1994 isbn 10

chesneys equipment for student radiographers book - Jun 21 2022

web radiographic equipment part four considers fluoroscopic equipment and the remaining two parts provide accounts of more specialized radiographic equipment and computer based imaging modalities ball and moore s essential physics for radiographers john l ball 2012 10 11 since its first edition in 1980 essential physics

chesneys equipment for student radiographers by p h carter - Nov 26 2022

web s̃ quốc symphoniclevefoundation org chesneys equipment for student radiographers by p h carter pdf free download as pdf file pdf text file txt or view presentation slides online

x ray equipment for student radiographers d noreen chesney - Feb 27 2023

web x ray equipment for student radiographers d noreen chesney muriel o chesney on amazon com free shipping on qualifying offers x ray equipment for student radiographers d noreen chesney select the appropriate diagnostic x ray equipment for a certain radiographic procedure

introduction a la logique tha c orie de la da c m uniport edu - Nov 27 2021

web sep 16 2023 introduction a la logique tha c orie de la da c m 1 7 downloaded from uniport edu ng on september 16 2023 by guest introduction a la logique tha c orie

introduction a la logique tha c orie de la da c m - Feb 28 2022

web introduction a la logique tha c orie de la da c m introduction a la logique tha c orie de la da c m 2 downloaded from donate pfi org on 2020 05 31 by guest

introduction a la logique tha c orie de la da c m pdf - Jun 15 2023

web introduction a la logique tha c orie de la da c m 3 downloaded from nysm pfi org on 2021 02 11 by guest machine learning texts introducing the mathematical concepts with

introduction a la logique tha c orie de la da c m vps huratips - Dec 29 2021

web introduction a la logique tha c orie de la da c m 3 3 epistemological bases which are indispensable to any scientific imagination religion language and the human mind

introduction a la logique tha c orie de la da c m pdf - Dec 09 2022

web may 16 2023 introduction a la logique tha c orie de la da c m 2 6 downloaded from uniport edu ng on may 16 2023 by guest and historiographical approaches contributors

free introduction a la logique tha c orie de la da c m - Jan 10 2023

web introduction a la logique tha c orie de la da c m cristal de la verdad espeio de cataluña etc may 01 2021 capacitacion para los miembros de la familia nivel i

introduction a la logique tha c orie de la da c m book - Oct 19 2023

web introduction a la logique tha c orie de la da c m political economy of modern capitalism apr 06 2020 neoliberalism and deregulation have come to dominate

free introduction a la logique 2e a c d tha c orie de - Feb 11 2023

web introduction a la logique 2e a c d tha c orie de introduction à la logique nov 01 2022 cet ouvrage entièrement révisé

dans cette seconde édition présente la théorie de

introduction a la logique tha c orie de la da c m pdf - Oct 07 2022

web this online revelation introduction a la logique tha c orie de la da c m can be one of the options to accompany you later having other time it will not waste your time assume

introduction a la logique tha c orie de la da c m old syndeohro - May 14 2023

web introduction a la logique tha c orie de la da c m 1 introduction a la logique tha c orie de la da c m the class book an introduction to the french language to which is

introduction a la logique 2e a c d tha c orie de 2023 - Aug 17 2023

web introduction a la logique 2e a c d tha c orie de bulletin may 20 2020 quarterly accession lists beginning with apr 1893 the bulletin is limited to subject lists special

introduction a la logique tha c orie de la da c m download - Nov 08 2022

web introduction a la logique tha c orie de la da c m belong to that we present here and check out the link you could buy lead introduction a la logique tha c orie de la da

introduction a la logique tha c orie de la da c m vps huratips - Jun 03 2022

web 2 introduction a la logique tha c orie de la da c m 2023 08 06 postphilosophy in an effort to make sense of these conflicting positions which often say as much about

introduction a la logique tha c orie de la da c m douglas c - Jan 30 2022

web introduction a la logique tha c orie de la da c m introduction a la logique tha c orie de la da c m 1 downloaded from donate pfi org on 2020 03 11 by guest

introduction a la logique tha c orie de la da c m - Jul 04 2022

web introduction a la logique tha c orie de la da c m introduction a la logique tha c orie de la da c m 1 downloaded from donate pfi org on 2021 11 09 by guest

niveau 1 sc expérimentale notions de logique 1 - May 02 2022

web est toujours vraie d où est une loi logique types de raisonnements 01 raisonnement par contre exemple a définition pour prouver que la propriétés

introduction à la logique mathématique logamaths fr - Aug 05 2022

web les méthodes de raisonnement la conjonction logique la disjonction logique la négation l implication logique la contraposition l équivalence logique et d autres

résumé de cours de logique alloschool - Sep 06 2022

web dans une partie a de e puis pour les x n appartenant pas à a c est la méthode de disjonction des cas ou méthode cas par

cas donc si on montre que les deux

[download solutions introduction a la logique tha c orie de la](#) - Mar 12 2023

web introduction a la logique tha c orie de la da c m derrida and the legacy of psychoanalysis nov 24 2021 situating derrida s engagement with freud vis à vis key

[introduction a la logique tha c orie de la da c m book](#) - Sep 18 2023

web oct 29 2023 introduction a la logique tha c orie de la da c m advanced calculus lynn harold loomis 2014 02 26 an authorised reissue of the long out of print classic

[induction logique wikipédia](#) - Apr 01 2022

web l induction est historiquement le nom utilisé pour signifier un genre de raisonnement qui se propose de chercher des lois générales à partir de l observation de faits particuliers sur

[introduction a la logique tha c orie de la da c m](#) - Jul 16 2023

web introduction a la logique tha c orie de la da c m introduction a la logique tha c orie de la da c m 4 downloaded from nysm pfi org on 2023 01 21 by guest r yechout

[introduction à la logique théorie de la démonstration 2nd](#) - Apr 13 2023

web jan 1 2004 request pdf introduction à la logique théorie de la démonstration 2nd édition cet ouvrage entièrement révisé dans cette seconde édition est un cours

kindle user s guide amazon web services inc - Jan 25 2023

web kindle user s guide 5th edition chapter 1 getting started 5 chapter 1 getting started welcome to your new kindle this short guide will familiarize you with all of the features and functionality of your kindle some kindle features may not be available based on your country of residence or location

amazon kindle 5 edition manuals manualslib - May 29 2023

web manuals and user guides for amazon kindle 5 edition we have 1 amazon kindle 5 edition manual available for free pdf download user manual amazon kindle 5 edition user manual 53 pages

[amazon com kindle fire hd user s guide 5th generation manual unleash](#) - May 17 2022

web nov 1 2015 amazon com kindle fire hd user s guide 5th generation manual unleash the power of your tablet ebook johnson shelby kindle store

[kindle fire hd user s guide 5th generation manual amazon](#) - Mar 15 2022

web kindle fire hd user s guide 5th generation manual unleash the power of your tablet kindle edition by shelby johnson author format kindle edition see all formats and editions kindle edition 0 00 this title and over 1 million more are available with kindle unlimited 1 99 to buy paperback 5 27 2 used from 4 87 2 new from 5 27

kindle user s guide 5th edition archive org - Nov 22 2022

web kindle user s guide 5th edition welcome 9 welcome to thank you for purchasing amazon kindle you are reading the welcome section of the kindle user s guide this section provides an overview of kindle and highlights a few basic features so you can start reading as quickly as possible

amazon tablet kindle 5th edition user s guide archive org - Oct 22 2022

web manuals amazon the manual library additional collections uploaded by chris85 on december 24 2021 similar items based on metadata

kindle e reader help amazon customer service - Jul 19 2022

web learn more about ads on kindle and fire tablet enlarge the book font on your kindle e reader adjust the screen light on your kindle e reader reset parental controls password on your kindle 5th gen resolve liquid detection issues on your kindle e reader set the time on your kindle e reader

kindle user s guide 5th edition 2 amazon web services inc - Mar 27 2023

web setting up your kindle takes a few simple steps select the device language connect to a wireless network register your kindle to your amazon account link your kindle to your social network accounts

kindle paperwhite user s guide 5th edition - Oct 02 2023

web kindle paperwhite user s guide 5th edition 5 chapter 1 getting started chapter 1 getting started welcome to your new kindle paperwhite this short guide will familiarize you with all of the features and functionality of your kindle some kindle features may not be available based on your country of residence or location

amazon kindle 5th generation user guide manualmachine com - Jul 31 2023

web kindle user s guide 2 contents contents welcome to your new kindle this short guide will familiarize you with all of the features and functionality of the kindle additional help is available on the kindle support website kindle com support including a printable pdf version of this guide

amazon web services - Apr 27 2023

web amazon web services

amazon kindle 5th edition owner s manual manualzz com - Sep 20 2022

web amazon kindle 5th edition manuals and user guides for amazon kindle 5th edition we found 3 manuals for free downloads owner s manual

amazon kindle paperwhite user s guide 5th edition 6th - Apr 15 2022

web amazon kindle paperwhite user s guide 5th edition 6th generation guide gen ug en user manual amazon kindle paperwhite 6th generation user s guide free user guide for amazon kindle series tablet and ereader manual open

[amazon kindle manual pdf download manualslib](#) - Dec 24 2022

web view and download amazon kindle manual online 5th edition kindle ebook reader pdf manual download also for kindle 2nd generation kindle free 3g 5th edition kindle d00511 kindle d00701

amazon web services - Feb 23 2023

web created date 3 29 2010 10 08 39 am

[kindle users guide 5th edition user manual search engine](#) - Jun 17 2022

web amazon kindle kindle users guide 5th edition kindle users guide 5th edition

amazon com kindle user guide kindle user manual step by step kindle - Feb 11 2022

web dec 30 2011 amazon com kindle user guide kindle user manual step by step kindle survival guide reveals the secrets of kindle tips tricks shortcuts download kindle ebooks all new kindle paperwhite user s guide the complete all new edition the ultimate manual to set up manage your e reader

amazon kindle 5th edition manuals manualsbrain com - Aug 20 2022

web following pdf manuals are available amazon kindle 5th edition user guide user manual

[kindle e reader user and quick start guides amazon](#) - Sep 01 2023

web these guides will help to familiarize you with your kindle e reader

user s guide amazon web services - Jun 29 2023

web thank you for purchasing amazon kindle you are reading the welcome section of the kindle user s guide that provides an overview of kindle your kindle must be registered to an amazon account in order to shop in the kindle store if you bought your kindle using your amazon account it is already registered