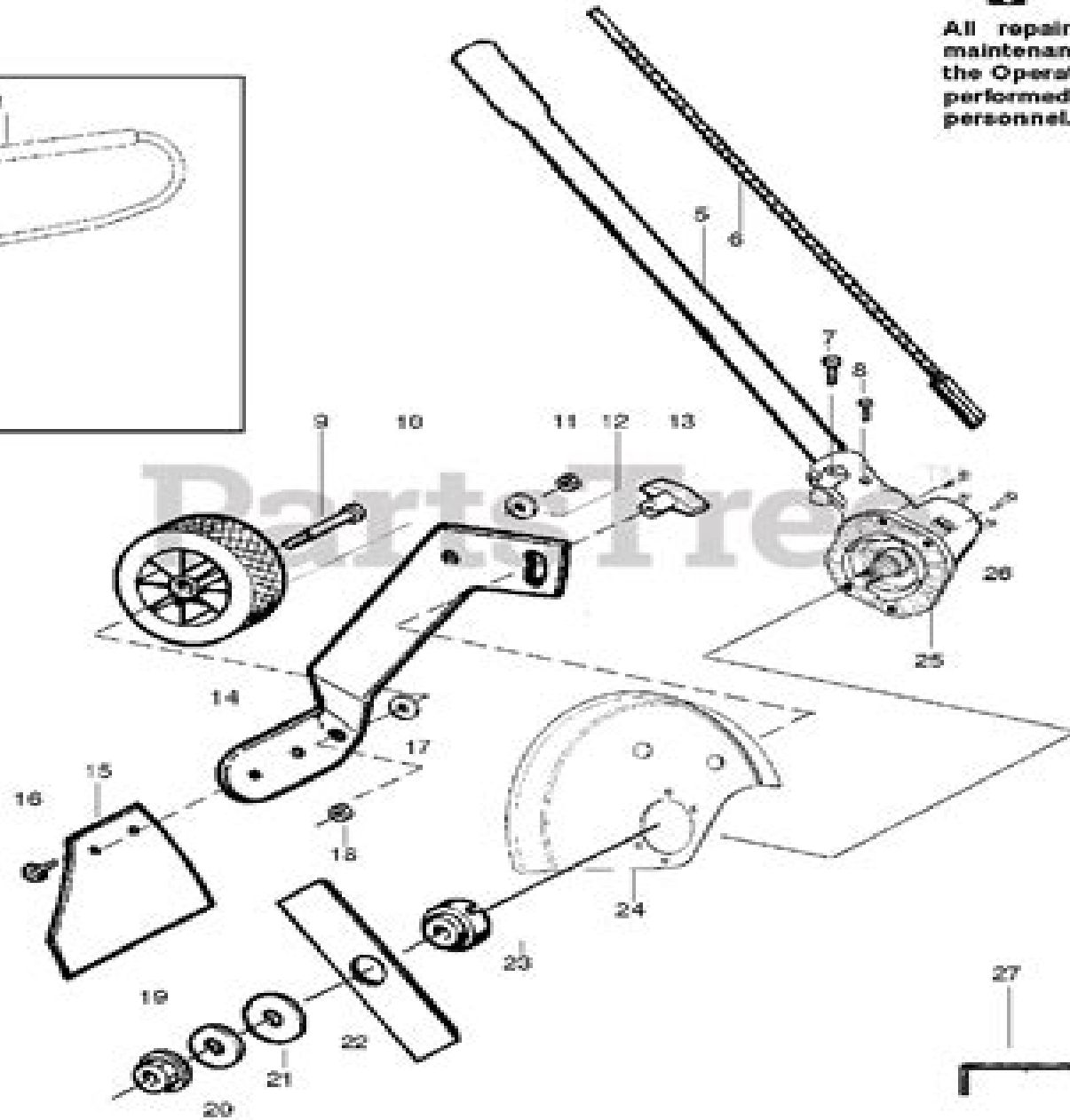
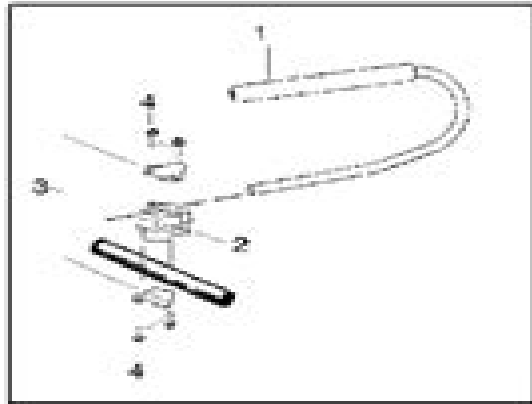


# TYPE 3



## WARNING

All repairs, adjustments and maintenance not described in the Operator's Manual must be performed by qualified service personnel.



# Poulan Edger Attachment Manual

**J Rink**



## **Poulan Edger Attachment Manual:**

Immerse yourself in heartwarming tales of love and emotion with Crafted by is touching creation, Experience Loveis Journey in **Poulan Edger Attachment Manual** . This emotionally charged ebook, available for download in a PDF format ( Download in PDF: \*), is a celebration of love in all its forms. Download now and let the warmth of these stories envelop your heart.

<https://crm.avenza.com/book/publication/Documents/prospectus%20and%20application%20for%202016%20at%20north%20west%20university.pdf>

## **Table of Contents Poulan Edger Attachment Manual**

1. Understanding the eBook Poulan Edger Attachment Manual
  - The Rise of Digital Reading Poulan Edger Attachment Manual
  - Advantages of eBooks Over Traditional Books
2. Identifying Poulan Edger Attachment Manual
  - Exploring Different Genres
  - Considering Fiction vs. Non-Fiction
  - Determining Your Reading Goals
3. Choosing the Right eBook Platform
  - Popular eBook Platforms
  - Features to Look for in an Poulan Edger Attachment Manual
  - User-Friendly Interface
4. Exploring eBook Recommendations from Poulan Edger Attachment Manual
  - Personalized Recommendations
  - Poulan Edger Attachment Manual User Reviews and Ratings
  - Poulan Edger Attachment Manual and Bestseller Lists
5. Accessing Poulan Edger Attachment Manual Free and Paid eBooks
  - Poulan Edger Attachment Manual Public Domain eBooks
  - Poulan Edger Attachment Manual eBook Subscription Services

- Poulan Edger Attachment Manual Budget-Friendly Options
- 6. Navigating Poulan Edger Attachment Manual eBook Formats
  - ePub, PDF, MOBI, and More
  - Poulan Edger Attachment Manual Compatibility with Devices
  - Poulan Edger Attachment Manual Enhanced eBook Features
- 7. Enhancing Your Reading Experience
  - Adjustable Fonts and Text Sizes of Poulan Edger Attachment Manual
  - Highlighting and Note-Taking Poulan Edger Attachment Manual
  - Interactive Elements Poulan Edger Attachment Manual
- 8. Staying Engaged with Poulan Edger Attachment Manual
  - Joining Online Reading Communities
  - Participating in Virtual Book Clubs
  - Following Authors and Publishers Poulan Edger Attachment Manual
- 9. Balancing eBooks and Physical Books Poulan Edger Attachment Manual
  - Benefits of a Digital Library
  - Creating a Diverse Reading Collection Poulan Edger Attachment Manual
- 10. Overcoming Reading Challenges
  - Dealing with Digital Eye Strain
  - Minimizing Distractions
  - Managing Screen Time
- 11. Cultivating a Reading Routine Poulan Edger Attachment Manual
  - Setting Reading Goals Poulan Edger Attachment Manual
  - Carving Out Dedicated Reading Time
- 12. Sourcing Reliable Information of Poulan Edger Attachment Manual
  - Fact-Checking eBook Content of Poulan Edger Attachment Manual
  - Distinguishing Credible Sources
- 13. Promoting Lifelong Learning
  - Utilizing eBooks for Skill Development
  - Exploring Educational eBooks
- 14. Embracing eBook Trends

- Integration of Multimedia Elements
- Interactive and Gamified eBooks

## **Poulan Edger Attachment Manual Introduction**

In today's digital age, the availability of Poulan Edger Attachment Manual books and manuals for download has revolutionized the way we access information. Gone are the days of physically flipping through pages and carrying heavy textbooks or manuals. With just a few clicks, we can now access a wealth of knowledge from the comfort of our own homes or on the go. This article will explore the advantages of Poulan Edger Attachment Manual books and manuals for download, along with some popular platforms that offer these resources. One of the significant advantages of Poulan Edger Attachment Manual books and manuals for download is the cost-saving aspect. Traditional books and manuals can be costly, especially if you need to purchase several of them for educational or professional purposes. By accessing Poulan Edger Attachment Manual versions, you eliminate the need to spend money on physical copies. This not only saves you money but also reduces the environmental impact associated with book production and transportation. Furthermore, Poulan Edger Attachment Manual books and manuals for download are incredibly convenient. With just a computer or smartphone and an internet connection, you can access a vast library of resources on any subject imaginable. Whether you're a student looking for textbooks, a professional seeking industry-specific manuals, or someone interested in self-improvement, these digital resources provide an efficient and accessible means of acquiring knowledge. Moreover, PDF books and manuals offer a range of benefits compared to other digital formats. PDF files are designed to retain their formatting regardless of the device used to open them. This ensures that the content appears exactly as intended by the author, with no loss of formatting or missing graphics. Additionally, PDF files can be easily annotated, bookmarked, and searched for specific terms, making them highly practical for studying or referencing. When it comes to accessing Poulan Edger Attachment Manual books and manuals, several platforms offer an extensive collection of resources. One such platform is Project Gutenberg, a nonprofit organization that provides over 60,000 free eBooks. These books are primarily in the public domain, meaning they can be freely distributed and downloaded. Project Gutenberg offers a wide range of classic literature, making it an excellent resource for literature enthusiasts. Another popular platform for Poulan Edger Attachment Manual books and manuals is Open Library. Open Library is an initiative of the Internet Archive, a non-profit organization dedicated to digitizing cultural artifacts and making them accessible to the public. Open Library hosts millions of books, including both public domain works and contemporary titles. It also allows users to borrow digital copies of certain books for a limited period, similar to a library lending system. Additionally, many universities and educational institutions have their own digital libraries that provide free access to PDF books and manuals. These libraries often offer academic texts, research papers, and technical manuals, making them

invaluable resources for students and researchers. Some notable examples include MIT OpenCourseWare, which offers free access to course materials from the Massachusetts Institute of Technology, and the Digital Public Library of America, which provides a vast collection of digitized books and historical documents. In conclusion, Poulan Edger Attachment Manual books and manuals for download have transformed the way we access information. They provide a cost-effective and convenient means of acquiring knowledge, offering the ability to access a vast library of resources at our fingertips. With platforms like Project Gutenberg, Open Library, and various digital libraries offered by educational institutions, we have access to an ever-expanding collection of books and manuals. Whether for educational, professional, or personal purposes, these digital resources serve as valuable tools for continuous learning and self-improvement. So why not take advantage of the vast world of Poulan Edger Attachment Manual books and manuals for download and embark on your journey of knowledge?

### **FAQs About Poulan Edger Attachment Manual Books**

1. Where can I buy Poulan Edger Attachment Manual books? Bookstores: Physical bookstores like Barnes & Noble, Waterstones, and independent local stores. Online Retailers: Amazon, Book Depository, and various online bookstores offer a wide range of books in physical and digital formats.
2. What are the different book formats available? Hardcover: Sturdy and durable, usually more expensive. Paperback: Cheaper, lighter, and more portable than hardcovers. E-books: Digital books available for e-readers like Kindle or software like Apple Books, Kindle, and Google Play Books.
3. How do I choose a Poulan Edger Attachment Manual book to read? Genres: Consider the genre you enjoy (fiction, non-fiction, mystery, sci-fi, etc.). Recommendations: Ask friends, join book clubs, or explore online reviews and recommendations. Author: If you like a particular author, you might enjoy more of their work.
4. How do I take care of Poulan Edger Attachment Manual books? Storage: Keep them away from direct sunlight and in a dry environment. Handling: Avoid folding pages, use bookmarks, and handle them with clean hands. Cleaning: Gently dust the covers and pages occasionally.
5. Can I borrow books without buying them? Public Libraries: Local libraries offer a wide range of books for borrowing. Book Swaps: Community book exchanges or online platforms where people exchange books.
6. How can I track my reading progress or manage my book collection? Book Tracking Apps: Goodreads, LibraryThing, and Book Catalogue are popular apps for tracking your reading progress and managing book collections. Spreadsheets: You can create your own spreadsheet to track books read, ratings, and other details.

7. What are Poulan Edger Attachment Manual audiobooks, and where can I find them? Audiobooks: Audio recordings of books, perfect for listening while commuting or multitasking. Platforms: Audible, LibriVox, and Google Play Books offer a wide selection of audiobooks.
8. How do I support authors or the book industry? Buy Books: Purchase books from authors or independent bookstores. Reviews: Leave reviews on platforms like Goodreads or Amazon. Promotion: Share your favorite books on social media or recommend them to friends.
9. Are there book clubs or reading communities I can join? Local Clubs: Check for local book clubs in libraries or community centers. Online Communities: Platforms like Goodreads have virtual book clubs and discussion groups.
10. Can I read Poulan Edger Attachment Manual books for free? Public Domain Books: Many classic books are available for free as they're in the public domain. Free E-books: Some websites offer free e-books legally, like Project Gutenberg or Open Library.

### **Find Poulan Edger Attachment Manual :**

**prospectus and application for 2016 at north west university**

**psalm 121 responsive**

**psc exj 2014 jossor board**

**psi real estate exam guide**

protoss strategy guide

protecting jessyka seal of protection book english edition

psychology and social practice

*ps la bataille des ego politique ideacuttee socieacuteteacute*

**prospectors of tshwane university of technology 2015**

*ps tv unboxing and setup*

*pst repair tool ware*

**protection and reversal magick beyond 101**

pssc physics lab manual

prostitution guide arizona street walkers

**prospector of vut**



**Poulan Edger Attachment Manual :**

*boyle ve charles gaz kanunları tesisat* - Mar 21 2022

web feb 15 2018 boyle charles basınç kanunları genel gaz eşitliği kısmi basınçlar ve karakteristik gaz eşitlikleri incelenecektir gazlar sıkıştırılabilen akışkanlar olarak tanımlanırlar yeryüzünü saran hava bir gaz karışımıdır 78 azot 21 oksijen ve diğer gazlardan oluşmaktadır ayrıca endüstride oksijen hidrojen azot

**renewable energy power for a sustainable future paperback** - Aug 26 2022

web the prospect of producing clean sustainable power in substantial quantities from renewable energy sources is now arousing interest world wide stimulated by recent technological developments that have improved the cost effectiveness of many of the renewables and by increasing concern over the environmental impact and sustainability of conventional

*renewable energy power for a sustainable future* - Apr 02 2023

web renewable energy is nowadays one of the most interesting topics due to the high pollution generated from classical energy sources one type of renewable energy sources is wave energy this type of expand 12 electrical systems for wave energy conversion cecilia boström engineering geology 2011

renewable energy power for a sustainable future 3rd ed - Oct 28 2022

web sep 13 2012 g boyle published 13 september 2012 engineering the provision of sustainable energy supplies for an expanding and increasingly productive world is one of the major issues facing civilisation today renewable energy examines both the practical and economic potential of the renewable energy sources to meet this challenge

*renewable energy power for a sustainable future jstor* - Mar 01 2023

web renewable energy power for a sustainable future kamil kaygusuz department of chemistry karadeniz technical university 61080 trabzon turkey abstract by the end of the 21st century according to united nations projections number of people on the earth is likely to have approximately doubled

**renewable energy researchgate** - May 23 2022

web may 1 2004 this interference is increasing because renewable energy systems require more land to produce the same amount of energy as fossil fuels do boyle 2004 for example a traditional gas or coal

**pdf renewable energy power for a sustainable future full** - Apr 21 2022

web nov 8 2020 renewable energy power for a sustainable future book detail amazon business for business only pricing quantity discounts and free shipping register a free business account paperback 566 pages publisher oxford university press third edition november 8

*renewable energy power for a sustainable future boyle* - Jan 31 2023

web jan 1 2012 renewable energy power for a sustainable future paperback january 1 2012 by boyle author 4 4 95 ratings

see all formats and editions paperback 55 00 4 used from 5 73 1 new from 45 00 there is a newer edition of this item  
renewable energy 4e xe 32 98 9 in stock

*energy systems and sustainability google books* - Sep 26 2022

web godfrey boyle is professor of renewable energy and director of the energy and environment research unit in the open university s faculty of mathematics computing and technology he has chaired the open university teams that have produced various open university courses and study packs on renewable and sustainable energy most

renewable energy power for a sustainable future google books - Nov 28 2022

web renewable energy power for a sustainable future godfrey boyle oxford university press 1996 power resources 479 pages  
overview the provision of sustainable energy supplies for an

*renewable energy power for a sustainable future* - Aug 06 2023

web sep 13 2012 from an overview of basic energy conversion processes through a discussion of the individual renewable sources to a concluding examination of the prospects for their integration into national

renewable energy 2nd edition semantic scholar - Jul 05 2023

web mar 11 2004 environmental science a welcome new edition of this well respected text gives comprehensive coverage of the principal renewable energy sources available today accessible to readers across a wide range of academic backgrounds interdisciplinary approach covers the economic social environmental and policy issues raised by

*open access renewable energy 2nd edition 2004 godfrey boyle* - Jul 25 2022

web mar 10 2004 tl dr in this paper a comprehensive overview of the principal renewable energy sources including photovoltaics bioenergy wind solar thermal and wind turbines is presented with the aid of over 350 detailed illustrations more than 50 tables of data and a wide range of case studies and examines its environmental impact and future prospects

*renewable energy godfrey boyle google books* - Jun 04 2023

web godfrey boyle oxford university press 2004 science 452 pages the prospect of producing clean sustainable power in substantial quantities from renewable energy sources is now arousing

**renewable energy power for a sustainable future boyle** - Oct 08 2023

web nov 8 2012 from an overview of basic energy conversion processes to a discussion of the individual renewable sources to a concluding examination of the prospects for their integration into national and international networks renewable energy power for a sustainable future third edition provides a valuable insight into prospects for the

**energy systems and sustainability power for a sustainable** - Jun 23 2022

web the only text to provide a fresh contemporary perspective on energy and sustainability for an undergraduate audience includes extensive coverage of both fossil fuels and nuclear power but in the context of an increasing use of renewable

energy boxes throughout the text present clear explanations of the technologies underlying physics and mor  
[renewable energy power for a sustainable future paperback](#) - Dec 30 2022

web godfrey boyle is professor of renewable energy in the open university s mct faculty his main research interests are in solar and wind power energy systems modelling and energy policy and he has chaired various open university modules on renewable and sustainable energy

*renewable energy power for a sustainable future paperback* - May 03 2023

web buy renewable energy power for a sustainable future 2nd by boyle godfrey isbn 9780199261789 from amazon s book store everyday low prices and free delivery on eligible orders

**renewable energy power for a sustainable future second edition** - Sep 07 2023

web jun 6 1996 provides a comprehensive overview of the principal types of renewable energy including solar thermal photovoltaics bioenergy hydro tidal wind wave and geothermal in addition the text explains the underlying physical and technological principles of renewable energy and examines the

[tureng boyle türkçe İngilizce sözlük](#) - Feb 17 2022

web boyle s law i boyle law i gas law i mariotte s law i boyle s law i İngilizce türkçe online sözlük tureng kelime ve terimleri çevir ve farklı aksanlarda sesli dinleme boyle irlanda da yerleşim yeri so böyle boyle s law boyle yasası ne demek

**the nurse s guide to innovation accelerating the journey** - Dec 19 2021

web oct 13 2022 the nurse s guide to innovation accelerating the journey can you answer the call of the entrenurse how do you build a culture of innovation how

*books innovation advantage* - Oct 29 2022

web oct 12 2022 the nurse s guide to innovation accelerating the journey can you answer the call of the entrenurse how do you build a culture of innovation how

**the nurse s guide to innovation accelerating the journey** - Oct 17 2021

web the nurse s guide to innovation accelerating the journey by clipper bonnie wang mike coyne paul isbn 10 160773124x isbn 13 9781607731245 super star press

[the nurse s guide to innovation accelerating the journey](#) - May 04 2023

web abstract the book consists of nine chapters each written by a different author or authors all of whom have had experience as nurses and as inventors entrepreneurs it is written

**the nurse s guide to innovation accelerating the journey** - Sep 08 2023

web jul 23 2019 the nurse s guide to innovation accelerating the journey paperback july 23 2019 by bonnie clipper author mike wang author paul coyne author 0

**the board s role in quality oversight and patient safety** - Apr 22 2022

web 1 day ago the board s role in quality oversight and patient safety nov 08 2023 08 14 am by sue ellen wagner in health care where decisions can be life altering and

**the nurse s guide to innovation accelerating the journey** - Aug 27 2022

web jul 23 2019 the nurse s guide to innovation accelerating the journey clipper bonnie wang mike coyne paul 9781607731245 books amazon ca

*the nurse s guide to innovation accelerating the journey* - Nov 17 2021

web the nurse s guide to innovation accelerating the journey ebook clipper bonnie wang mike coyne paul baiera vince love rebecca nix dawn nix wayne

**the nurse s guide to innovation accelerating the journey** - Jan 20 2022

web jul 25 2019 the nurse s guide to innovation accelerating the journey bonnie clipper mike wang paul coyne more 3 44 9 ratings1 review want to read kindle 4 99 rate

*cultivating a culture of innovation nursing management lww* - Feb 01 2023

web nov 12 2019 the innovation road map a guide for nurse leaders recommends that nurse leaders embrace the following characteristics to promote a culture of innovation

**the nurse s guide to innovation accelerating the journey** - Nov 29 2022

web the nurse s guide to innovation accelerating the journey article king2019theng title the nurse s guide to innovation accelerating the journey author paul h

**the nurse s guide to innovation accelerating the journey** - Dec 31 2022

web jul 23 2019 this book is the perfect how to guide for nurses nurse leaders and even other clinicians who have inventions innovations and an entrepreneurial spirit no

accelerating defence innovation the strategic imperative for - Mar 22 2022

web 16 hours ago asca commenced operations from 1 july 2023 with a mandate to connect streamline and accelerate the defence innovation system the vision is to drive

**innovation in nursing practice and education researchgate** - Jun 24 2022

web apr 13 2021 the nurse leader forms a working culture of innovations encourages nurses in continuing education facilitates the development of innovations and actively

**need to know innovation ana enterprise** - Mar 02 2023

web mar 13 2023 innovation guide all nurses are gutsy they show courage determination and spirit nurses have to be gutsy to positively drive change across healthcare and to

[the nurse s guide to innovation accelerating the journey](#) - Jul 06 2023

web jul 23 2019 the nurse s guide to innovation accelerating the journey clipper bonnie wang mike coyne paul amazon co uk books

**the nurse s guide to innovation accelerating the journey iee** - Oct 09 2023

web oct 4 2019 the nurse s guide to innovation accelerating the journey abstract the book consists of nine chapters each written by a different author or authors all of whom

*strategies to explore innovation in nursing practice pubmed* - May 24 2022

web nov 21 2006 it provides information on strategic that can be used by nurses to incorporate innovation in their practice strategies to explore innovation in nursing practice nurs

**the nurse s guide to innovation accelerating the journey** - Sep 15 2021

web the nurse s guide to innovation accelerating the journey clipper bonnie wang mike coyne paul amazon com au books

*a good practical read the nurse s guide to innovation* - Sep 27 2022

web nov 7 2019 now an amazon bestseller the nurse s guide to innovation accelerating the journey offers nurses their rightful recognition as entrepreneurs and health care

**the nurse s guide to innovation accelerating the journey** - Apr 03 2023

web the nurse s guide to innovation accelerating the journey clipper bonnie wang mike coyne paul amazon com tr

**the nurse s guide to innovation accelerating the journey** - Aug 07 2023

web jul 23 2019 the nurse s guide to innovation accelerating the journey bonnie clipper mike wang paul coyne super star press jul 23 2019 nursing 118 pages can you

**the nurse s guide to innovation accelerating the journey** - Feb 18 2022

web jul 25 2019 buy the nurse s guide to innovation accelerating the journey read kindle store reviews amazon com the nurse s guide to innovation accelerating

**the nurse s guide to innovation accelerating the journey** - Jul 26 2022

web jul 1 2019 the nurse s guide to innovation accelerating the journey 9781607731238 medicine health science books amazon com

**the nurse s guide to innovation accelerating the journey** - Jun 05 2023

web oct 7 2019 the nurse s guide to innovation accelerating the journey october 7 2019 bonnie clipper mike wang paul coyne vince baiera rebecca love dawn nix

[alfa romeo gtv service repair manuals on motor era](#) - Mar 31 2023

web alfa romeo gtv spider v6 1996 2002 workshop service manual alfa romeo gtv spider v6 1996 2002 workshop service

manual alfa romeo gtv spider v6 1996 2002 repair service manual 1995 2006 alfa romeo gtv spider workshop repair service manual 2 440 pages printable ipad ready pdf

**alfa romeo gtv spider v6 1996 2002 workshop repair manual** - Feb 15 2022

web alfa romeo gtv spider v6 1996 2002 workshop repair service manual pdf version in cd models covered gtv 1 8t spark gtv 2 0t spark gtv 2 0 v6 tb gtv 3 0

**the alfa romeo gtv spider 916 technical manuals page** - Jun 02 2023

web the alfa romeo gtv spider 916 technical manuals page these files are scans of the official alfa romeo workshop manuals lots and lots of useful information along with plenty of diagrams all manuals are in pdf format please right click and save as [alfa romeo gtv pdf workshop repair manuals on youfixcars](#) - Sep 24 2022

web alfa romeo gtv spider v6 1996 2002 workshop service manual alfa romeo gtv spider v6 1996 2002 workshop service manual alfa romeo gtv spider v6 1996 2002 repair service manual 1995 2006 alfa romeo gtv spider workshop repair service manual 2 440 pages printable ipad ready pdf

*gtv6 workshop manual alfa romeo forum* - Dec 28 2022

web jun 5 2010 hi can anybody in the gauteng area help me with a gtv workshop manual i have recently acquired one but i only have a 2l manual contact me on

**factory gtv6 workshop manual availability alfa romeo forums** - Nov 26 2022

web jul 31 2016 the factory manual is a good reference it is really the milano alfa 75 manual but has extra chapters to cover the gtv6 unfortunately there is no information on brakes non abs or even bodywork it is useful to have the haynes manual that covers the 4 cylinder alfetta s as a supplement

**alfa romeo gtv pdf workshop and repair manuals** - Aug 04 2023

web alfa romeo gtv alfa romeo spider pdf service manuals workshop and repair manuals wiring diagrams parts catalogue fault codes free download

**gtv workshop repair manual alfa romeo forum** - Feb 27 2023

web may 4 2008 1 apr 29 2008 hello all i ve recently had a few requests of people asking for a copy of this so i have decided to upload it for the communities pleasure i was given this by a fellow alfa owner so i thought i d do my part for the community and give something back for all of the help i ve received

[alfa romeo gtv free workshop and repair manuals](#) - Sep 05 2023

web the alfa romeo gtv gran turismo veloce english fast grand tourer is sports cars produced by the italian manufacturer alfa romeo from 1995 to 2006 it is also known by alfa romeo s internal designation 916 the gtv is a 2 2 coupé and around 41 700 gtv's were built from 1993 to 2004 the gtv is a very nice looking car

*gtv workshop repair manual alfa romeo forum* - Jul 03 2023

web mar 29 2016 i m new to gtvs having just bought a 3ltr v6 needs a few things doing so would like to get a feel for if i have the time inclination to do it myself or just get a local shop to do them therefore i m after a workshop repair maintenance manual does anyone have a working link to download this or does anyone have a copy they d be

**gtv6 workshop manual alfa romeo forums** - May 21 2022

web jan 22 2010 1 jan 21 2010 hi guys i just acquired an alfetta that runs on a gtv6 engine practically saved her from scrappies i was wondering if there are any ebook or workshop manual available for the engine while i was turning the engine clockwise rotation the timing belt snapped lucky didnt start her up think have to set the timing

*gtv 916 workshop manual pdf alfa romeo forum* - Oct 06 2023

web nov 17 2009 1 nov 16 2009 hi guys i had to re os my pc and have lost my copy of the workshop manual pdf i know it was being shared a while ago can anyone point me in the right direction cheers neil neil v6 diff failure club member no 2 r 98 gtv v6 phase 1 red rip phase 2 gtv v6 tan leather aerokit and so on

**lagtv6techniqueen gtv6 156gta be** - Apr 19 2022

web copy of workshop engines manual alfa romeo 12 1985 ref pa34690000002 booklet of 776 pages in english for the following models 75 90 giulietta alfetta gtv et gtv6 on request copy of the manual entitled engine maintenance manual us version 1983 reference pa300600000000 11 82

*alfa romeo gtv6 workshop manuals service manuals literature wtb* - Jun 21 2022

web oct 11 2010 alfa romeo gtv6 workshop manuals service manuals literature wtb alfa romeo gtv6 workshop manuals service manuals literature wtb started by john g october 04 2010 06 01 07 pm gtv v6 quadrifoglio june nov 1985 jpg 195 74 kb downloaded 328 times print

**simp s alfa romeo gtv 916 page** - Oct 26 2022

web 1 spider gtv 916 index pdf 2 repair instructions vol 1 pdf 3 repair instructions vol 2 pdf 4 repair instructions vol 3 pdf 5 repair instructions vol 3 part 2 pdf 6 right hand drive variants pdf ramen stellen 470 pdf

**alfa romeo gtv 6 1983 1986 service manual repair manual** - Mar 19 2022

web english service manual and wiring diagrams to vehicles alfa romeo gtv 6 1983 1986 instant download language english format pdf file pages 663 compatibility all versions of windows mac ios bb android etc printable yes no shipping costs instant downloadable manual

**alfa romeo gtv 6 1983 1986 service manual repair manual youtube** - Aug 24 2022

web mar 16 2020 english service manual and wiring diagrams to vehicles alfa romeo gtv 6 1983 1986 servicemanuals info

**alfa romeo gtv spider 916 manuals alfa romeo** - Jan 29 2023

web alfa romeo gtv spider 916 parts list manual repair manuals 7 21 mb english 154 gtv spider 916 alfa romeo gtv spider repair instructions vol 1 pdf repair manuals 106 mb english 814 gtv spider 916 alfa romeo gtv

**alfa romeo engine repair and user manuals** - May 01 2023

web gtv spider v6 3 0 12v engine rebuild factory manual alfa romeo 156 models 1910 8 valve jtd engine manual engine code ar32302 1910 8 valve jtd engine manual as fitted to 156 model alfas

**alfa romeo gtv repair service manuals 2 pdf s** - Jul 23 2022

web alfa romeo gtv owners manual covering weekly checks alfa romeo gtv workshop manual covering lubricants fluids and tyre pressures alfa romeo gtv service pdf s covering routine maintenance and servicing detailed alfa romeo gtv engine and associated service systems for repairs and overhaul pdf alfa romeo gtv