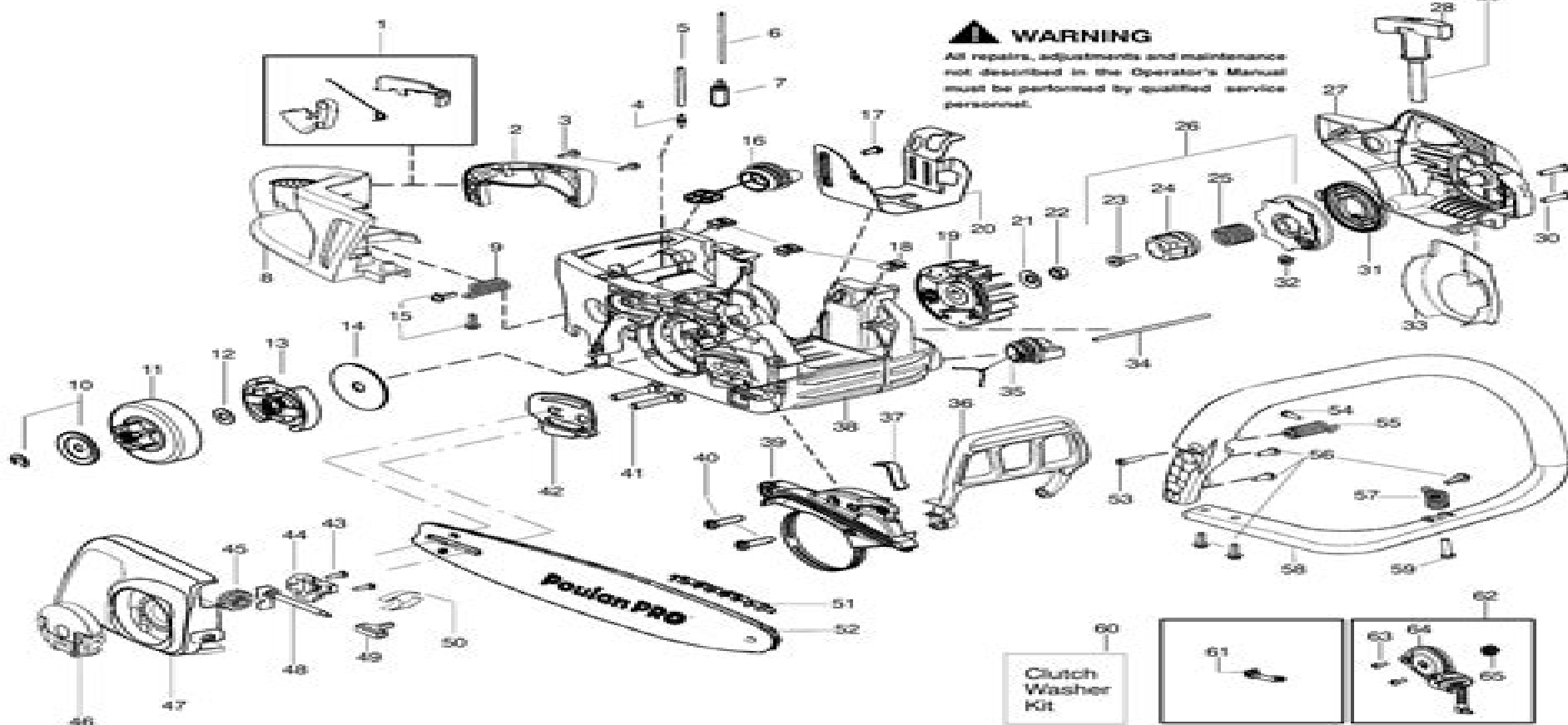


DATE  
7/03/08Replaces  
545103408 - 5/06/08

Note: Illustration may differ from actual model due to design changes

PAGE NO. 1



Ref.	Part No.	Description	Ref.	Part No.	Description	Ref.	Part No.	Description
1.	530071927	Kit- Trigger/Lockout	24.	530059677	Starter Hub-EPS	44.	530059999	Cover-Gearbox
2.	545011903	Cover-Handle	25.	530021180	Spring-EPS	45.	545039501	Wheel-Bar Adjust
3.	530016433	Screw	26.	530071966	Kit- EPS Starter Pulley (Incl. 23,24,25, 32)	46.	545040603	Assy-Knob
4.	530023877	Fitting-Fuel line	27.	545011703	Housing-Fan	47.	545027703	Clutch Cover
5.	530069216	Kit-Fuel Line (Large)	28.	530056402	Handle-Starter	48.	530150000	Assy-Adjust Screw
6.	530069247	Kit-Fuel Line (Small)	29.	530069232	Kit-Rope	49.	545157401	Pin-Bar Adjust
7.	530095649	Assy-Fuel Pick Up	30.	530016432	Screw	50.	545147001	Spring-Clip
8.	545012103	Handle-Rear	31.	530042095	Spring-Starter	51.	952051308	Accy-18" Chain
9.	530059475	Spring-Rear Isolator	32.	530016090	Screw	52.	952044689	Accy-18" Bar
10.	530071945	Kit-Clutch Washer	33.	530057868	Baffle	53.	530016432	Screw
11.	530057905	Assy-Clutch Drum 3/8"	34.	530058786	Assy-Oil Vent	54.	530016443	Screw
12.	530071945	Kit-Clutch Washer	35.	530057236	Assy-Oil Cap w/ret.	55.	530059480	Assy-Rear Iso. Spring
13.	530057907	Assy-Clutch	36.	530057880	Handguard	56.	530015905	Screw
14.	530016419	Washer-Large Clutch	37.	530016418	Spring-Handguard	57.	530059479	Assy-Front Iso. Spring
15.	530015906	Screw	38.	545011803	Assy-Chassis (Incl. 4,5,6,7,9,15,16,17,18,20,34,35,37,41,57)	58.	530057878	Handle-Front
16.	530047192	Assy-Fuel Cap w/ret	39.	530071893	Kit-Chainbrake	59.	530016432	Screw
17.	530016064	Screw	40.	530016432	Screw	60.	530071945	Kit-Clutch Washer (Incl. 10,12)
18.	530015922	Nut-"L" type speed	41.	530016133	Bolt-Bar	61.	530057924	Assy-Oil Pick Up
19.	530039231	Assy-Flywheel	42.	530057910	Plate-Bar	62.	530071891	Kit-Oil Pump
20.	530057911	Shield-Heat	43.	530016064	Screw	63.	530016064	Screw
21.	530015127	Washer-Flywheel				64.	530057931	Assy-Oil Pump
22.	530016134	Nut-Flywheel				65.	530037820	Gear-Worm
23.	530021179	Screw-Shoulder						

✓ = NEW PART NUMBER FOR THIS SPL

\* \*\* REFER TO THE SERVICE REFERENCE INDICATED FOR MORE INFORMATION, LOCATED AT END OF SPL

# Poulan Pro Manual

**Thomas B. Davis, Carl A. Nelson**



## **Poulan Pro Manual:**

*Chainsaw Manual for Homeowners* Brian J. Ruth, 2018-08-14 Taking the fear out of chainsaws by emphasizing safe handling practices this resource aims to put raw power in the hands of everyday yardworkers With step by step color photographs throughout 12 of the most common household chainsaw operations such as grooming hedges trimming branches felling trees bucking trees and cutting firewood are tackled with expert advice and sure handed guidance With an additional section devoted to chainsaw types potential buyers can also assess which size and type of chainsaw best meets their needs Also included is an appendix that has useful technical information and identifies the parts of a chainsaw and how each functions

[Audel Mechanical Trades Pocket Manual](#) Thomas B. Davis, Carl A. Nelson, 2003-10-31 This tool needs no maintenance Fully revised and updated this convenient guide covers the latest industrial equipment as well as all the tools and machines prevalent in older plants even those from the early 1970s and before Your complete reference tool Discusses machinery installation welding rigging carpentry basic electricity and more Features a chapter on safety issues Covers belts drives transmissions and bearings Examines automatic sprinkler systems Offers tips for preventive maintenance Includes coverage of piping and pipefitting Reviews shop mathematics geometry and trigonometry

**Public Works Manual** ,1991

*Labor Relations Reference Manual* ,2001 Vols 9 17 include decisions of the War Labor Board

**Moody's International Manual** ,1997

[LABOR RELATIONS REFERENCE MANUAL](#) THE BUREAU OF NATIONAL AFFAIRS, INC.,1976

**Moody's Industrial Manual** ,1997 Covering New York American regional stock exchanges international companies

**Mergent International Manual** ,2001

*Moody's Manual of Investments* ,1938

**Moody's Manual of Investments: American and Foreign** ,1938

**Consumers Index to Product Evaluations and Information Sources** Pierian Press,1996-03

*LABOR RELATIONS REFERENCE MANUAL THE LAW OF LABOR RELATIONS Including Court Opinions, and Decisions of the National Labor Relations Board* ,1978

**Implement & Tractor Red Book** ,1977

*Popular Science* ,1992

[Decisions and Orders of the National Labor Relations Board](#) United States. National Labor Relations Board,1985-02

*The Southern Lumberman* ,1996

[Arbor Age](#) ,1981

**Tree Farmer** ,1989

*Forest Industries* ,1986

**The Publishers' Trade List Annual** ,1985

Discover tales of courage and bravery in Explore Bravery with is empowering ebook, Stories of Fearlessness: **Poulan Pro Manual** . In a downloadable PDF format ( PDF Size: \*), this collection inspires and motivates. Download now to witness the indomitable spirit of those who dared to be brave.

[https://crm.avenza.com/files/book-search/Documents/Nikon\\_Coolpix\\_S70\\_User\\_Manual.pdf](https://crm.avenza.com/files/book-search/Documents/Nikon_Coolpix_S70_User_Manual.pdf)

## **Table of Contents Poulan Pro Manual**

1. Understanding the eBook Poulan Pro Manual
  - The Rise of Digital Reading Poulan Pro Manual
  - Advantages of eBooks Over Traditional Books
2. Identifying Poulan Pro Manual
  - Exploring Different Genres
  - Considering Fiction vs. Non-Fiction
  - Determining Your Reading Goals
3. Choosing the Right eBook Platform
  - Popular eBook Platforms
  - Features to Look for in an Poulan Pro Manual
  - User-Friendly Interface
4. Exploring eBook Recommendations from Poulan Pro Manual
  - Personalized Recommendations
  - Poulan Pro Manual User Reviews and Ratings
  - Poulan Pro Manual and Bestseller Lists
5. Accessing Poulan Pro Manual Free and Paid eBooks
  - Poulan Pro Manual Public Domain eBooks
  - Poulan Pro Manual eBook Subscription Services
  - Poulan Pro Manual Budget-Friendly Options
6. Navigating Poulan Pro Manual eBook Formats

- ePub, PDF, MOBI, and More
- Poulan Pro Manual Compatibility with Devices
- Poulan Pro Manual Enhanced eBook Features
- 7. Enhancing Your Reading Experience
  - Adjustable Fonts and Text Sizes of Poulan Pro Manual
  - Highlighting and Note-Taking Poulan Pro Manual
  - Interactive Elements Poulan Pro Manual
- 8. Staying Engaged with Poulan Pro Manual
  - Joining Online Reading Communities
  - Participating in Virtual Book Clubs
  - Following Authors and Publishers Poulan Pro Manual
- 9. Balancing eBooks and Physical Books Poulan Pro Manual
  - Benefits of a Digital Library
  - Creating a Diverse Reading Collection Poulan Pro Manual
- 10. Overcoming Reading Challenges
  - Dealing with Digital Eye Strain
  - Minimizing Distractions
  - Managing Screen Time
- 11. Cultivating a Reading Routine Poulan Pro Manual
  - Setting Reading Goals Poulan Pro Manual
  - Carving Out Dedicated Reading Time
- 12. Sourcing Reliable Information of Poulan Pro Manual
  - Fact-Checking eBook Content of Poulan Pro Manual
  - Distinguishing Credible Sources
- 13. Promoting Lifelong Learning
  - Utilizing eBooks for Skill Development
  - Exploring Educational eBooks
- 14. Embracing eBook Trends
  - Integration of Multimedia Elements
  - Interactive and Gamified eBooks

## Poulan Pro Manual Introduction

Free PDF Books and Manuals for Download: Unlocking Knowledge at Your Fingertips In today's fast-paced digital age, obtaining valuable knowledge has become easier than ever. Thanks to the internet, a vast array of books and manuals are now available for free download in PDF format. Whether you are a student, professional, or simply an avid reader, this treasure trove of downloadable resources offers a wealth of information, conveniently accessible anytime, anywhere. The advent of online libraries and platforms dedicated to sharing knowledge has revolutionized the way we consume information. No longer confined to physical libraries or bookstores, readers can now access an extensive collection of digital books and manuals with just a few clicks. These resources, available in PDF, Microsoft Word, and PowerPoint formats, cater to a wide range of interests, including literature, technology, science, history, and much more. One notable platform where you can explore and download free Poulan Pro Manual PDF books and manuals is the internet's largest free library. Hosted online, this catalog compiles a vast assortment of documents, making it a veritable goldmine of knowledge. With its easy-to-use website interface and customizable PDF generator, this platform offers a user-friendly experience, allowing individuals to effortlessly navigate and access the information they seek. The availability of free PDF books and manuals on this platform demonstrates its commitment to democratizing education and empowering individuals with the tools needed to succeed in their chosen fields. It allows anyone, regardless of their background or financial limitations, to expand their horizons and gain insights from experts in various disciplines. One of the most significant advantages of downloading PDF books and manuals lies in their portability. Unlike physical copies, digital books can be stored and carried on a single device, such as a tablet or smartphone, saving valuable space and weight. This convenience makes it possible for readers to have their entire library at their fingertips, whether they are commuting, traveling, or simply enjoying a lazy afternoon at home. Additionally, digital files are easily searchable, enabling readers to locate specific information within seconds. With a few keystrokes, users can search for keywords, topics, or phrases, making research and finding relevant information a breeze. This efficiency saves time and effort, streamlining the learning process and allowing individuals to focus on extracting the information they need. Furthermore, the availability of free PDF books and manuals fosters a culture of continuous learning. By removing financial barriers, more people can access educational resources and pursue lifelong learning, contributing to personal growth and professional development. This democratization of knowledge promotes intellectual curiosity and empowers individuals to become lifelong learners, promoting progress and innovation in various fields. It is worth noting that while accessing free Poulan Pro Manual PDF books and manuals is convenient and cost-effective, it is vital to respect copyright laws and intellectual property rights. Platforms offering free downloads often operate within legal boundaries, ensuring that the materials they provide are either in the public domain or authorized for distribution. By adhering to copyright laws, users can enjoy the benefits of free access to knowledge while supporting the authors and publishers who make these resources

available. In conclusion, the availability of Poulan Pro Manual free PDF books and manuals for download has revolutionized the way we access and consume knowledge. With just a few clicks, individuals can explore a vast collection of resources across different disciplines, all free of charge. This accessibility empowers individuals to become lifelong learners, contributing to personal growth, professional development, and the advancement of society as a whole. So why not unlock a world of knowledge today? Start exploring the vast sea of free PDF books and manuals waiting to be discovered right at your fingertips.

### **FAQs About Poulan Pro Manual Books**

1. Where can I buy Poulan Pro Manual books? Bookstores: Physical bookstores like Barnes & Noble, Waterstones, and independent local stores. Online Retailers: Amazon, Book Depository, and various online bookstores offer a wide range of books in physical and digital formats.
2. What are the different book formats available? Hardcover: Sturdy and durable, usually more expensive. Paperback: Cheaper, lighter, and more portable than hardcovers. E-books: Digital books available for e-readers like Kindle or software like Apple Books, Kindle, and Google Play Books.
3. How do I choose a Poulan Pro Manual book to read? Genres: Consider the genre you enjoy (fiction, non-fiction, mystery, sci-fi, etc.). Recommendations: Ask friends, join book clubs, or explore online reviews and recommendations. Author: If you like a particular author, you might enjoy more of their work.
4. How do I take care of Poulan Pro Manual books? Storage: Keep them away from direct sunlight and in a dry environment. Handling: Avoid folding pages, use bookmarks, and handle them with clean hands. Cleaning: Gently dust the covers and pages occasionally.
5. Can I borrow books without buying them? Public Libraries: Local libraries offer a wide range of books for borrowing. Book Swaps: Community book exchanges or online platforms where people exchange books.
6. How can I track my reading progress or manage my book collection? Book Tracking Apps: Goodreads, LibraryThing, and Book Catalogue are popular apps for tracking your reading progress and managing book collections. Spreadsheets: You can create your own spreadsheet to track books read, ratings, and other details.
7. What are Poulan Pro Manual audiobooks, and where can I find them? Audiobooks: Audio recordings of books, perfect for listening while commuting or multitasking. Platforms: Audible, LibriVox, and Google Play Books offer a wide selection of audiobooks.

8. How do I support authors or the book industry? Buy Books: Purchase books from authors or independent bookstores. Reviews: Leave reviews on platforms like Goodreads or Amazon. Promotion: Share your favorite books on social media or recommend them to friends.
9. Are there book clubs or reading communities I can join? Local Clubs: Check for local book clubs in libraries or community centers. Online Communities: Platforms like Goodreads have virtual book clubs and discussion groups.
10. Can I read Poulan Pro Manual books for free? Public Domain Books: Many classic books are available for free as they're in the public domain. Free E-books: Some websites offer free e-books legally, like Project Gutenberg or Open Library.

### **Find Poulan Pro Manual :**

~~nikon coolpix s70 user manual~~

**nibs intake 2015 ruiru**

~~nikon d510 user guide~~

**nikon d32 and photoshop elements for dummies set**

nikon f6 service repair manual

niemi mikael populaarimusiikkia vittulanjangalta

nicksillys book about nothing english edition

**nikon d5200 manual uk**

nicu survival guide for nurses

**nikon dtm total station user guide**

nigerian beef stew recipe

nieco mpb94 manual home nieco com

**nikon d4 guide to digital photography**

**nights sinful delights romance boxed set book english edition**

night of the twisters questions and answers

### **Poulan Pro Manual :**

**mistress seeking kik sub under 25 no findom kink talk** - Nov 06 2022

web apr 7 2022 add my kik mistress1742 with a pic of you on your knees with both hands behind your head face mask is fine to wear clothed is also fine i do not ask for money or for personal info



**slave kiki dirty free porn forum** - Oct 05 2022

web aug 10 2023 m22 m4f looking for female mistress owner looking for long term female mistress owner to control my orgasms masturbation habits day to day activities and makes me do daily tasks that pleases her do things with my sister not into anal sissification pain kik s zavodskyyy sc s zavodskyyy

**mistress looking for slaves kiki dirty free porn forum** - Aug 03 2022

web mar 21 2023 verified mistress looking for submissive male slave to dominate control and give tasks everyday i m into pegging humiliation edging degradation toilet play cei joi ball torture ball busting cbt etc add mistress on kik misskatherine58

*mistress kiki dirty free porn forum* - Jun 01 2022

web apr 16 2023 are you a submissive slave seeking a dominant mistress to serve online look no further i am an experienced and skilled mistress well versed in the art of domination and submission i am seeking a loyal and obedient slave to serve and worship me i understand the importance of safety and

**find kik usernames for mistress sextflirt com** - Sep 04 2022

web look through the website to find that intriguing young mistress they can extend their legs specifically for you on your kik they can t wait to tease their nipples or caress their pussy they can also record some quality porn or dildoeing then give you the sexy movies

kik exposing sub gay results 2023 xhamster - Dec 27 2021

web kik exposing sub explore tons of xxx videos with gay sex scenes in 2023 on xhamster

**mistress kik sexting find kik usernames trade kik nudes kik** - Aug 15 2023

web my mistress mistress moriah is currently looking for new slaves she is into hypnosis slut training pet training face sitting breath control thread by dancoop3232 sep 13 2023 at 9 14 pm 0 replies in forum snapchat sexting

help needed can some oen send me mistress kik names i - Jan 28 2022

web hello slaves i am a dominant mistress looking for male slaves and that is slave as in being owned and not just something you like to do 5 minutes a day boys if you are not sure this is probably not for you i am pretty strict so if you don t like the idea of having no freedom move along

mistress kiki dirty free porn forum - Jul 02 2022

web aug 5 2023 dominant kinky egoistic always want to have my entertainment first not into femboys sissies or similar into guys dirty talking and into facial expressions 18 only kik boysboyfun looking forward to you

**mistress seeking men on kik jan 23 capsul studio co** - Feb 26 2022

web mistress seeking men on kik 18 year old escorts vancouver treffpunkt liederbach wz vanessa adriazola nude frau sucht sex partner in leoben amateur homemade iphone cunnilingus orgasm adultadlist com searches adult services providers and

adult escorts adultadlist com s advanced users can search for adult services escorts sexual

**mistress seeks slaves on kik page 2 kink talk** - Mar 30 2022

web jul 2 2015 i m a mistress seeking male female submissives on kik i can be a mommy domme i don t do diapers or i can be a regular domme if your looking for a mommy

mistress page 2 kinkdirty free porn forum - Dec 07 2022

web jun 9 2023 dom dominant femdom mistress mommy sexy slut sub replies 1 forum kik sexting mistress k here to make u my own pet say woof woof my rules simple do what i say and don t call me bb i m here to realize my devil s side of personality i like experiments and try new things

femdom kinkdirty free porn forum - Jun 13 2023

web hello guys how are you doing am single mistress i enjoy fetish sex and the whole idea of having a man under my leash i live for female supremacy am seeking man to own one who is ready to lay down his body for training and mind for my pleasure and use as i see it fit my kik username is

**f25 mistress seeking for a real dom kik mooragrey** - Mar 10 2023

web i m mistress very strict and well experienced mistress looking for a real submissive slave to dominate must be ready to carry out my task and do the needful thing you must be ready to serve and worship me only as your mistress

mistress on kik kink talk - Jan 08 2023

web jul 28 2018 m26 looking for mistress online exposure hello im a 26 yo male from belgium and im looking for a long term mistress slave relationship my kinks cbt chastity tease and denial edging ball spanking tieing slpping

mistress on kik xhamster - Apr 30 2022

web mistress on kik paid videos photos femdom mistress more girls chat with x hamster live girls now 04 47 pumping my horny cock for vanessa on kik i need my cock sucked 13 8k views 03 42 friends wife cum s on kik for me 58 5k views 04 26 my big cock all wet hard and horny on kik 37 7k views 04 42 my big uncut cock so wet and hard playing on

mistress kiksexting co find kik usernames trade kik nudes kik - Jul 14 2023

web mar 16 2023 mistress looking for slaves to train mistress looking for a very submissive slave to dominate kinks humiliation pegging chasity the ass worship rope play toilet play feet worship cbt anal bondage joi cum edging sissy training tease if you re ready kik me at mistressjudy785 mistresjudy thread

**mistress kink talk** - Feb 09 2023

web aug 12 2023 im a 24 male sub slave looming for a mistress to serve forever my kinks include orgasm control orgasm denial anal play joi teasing edging into exploring more limit s include blood public toilet anything permanent send me a kik to own me as your slave kik dmtrax

*mistress kik kikdirty free porn forum* - Apr 11 2023

web feb 8 2023 kik gabrielabella4 snapchat gabbiecandi candellblue thread dec 4 2022 ass hole dominantgoddess dominatrix financial dominatrix misstres mistress and slave bdsm mistress feet slave mistress kik pussy

*mistress kik sexting find kik usernames trade kik nudes kik* - May 12 2023

web aug 2 2023 hey i m male 19 looking for a mistress i m from edmonton alberta and i m submissive hmu on my kik and come play kik neko50045 hey im male 19 from canada alberta and i have a 7 5 inch inflatable dildo to play with looking for a mistress on kik hmu and stretch me out at thread by mimicreed500 feb 19 2023 0 replies in forum kik

**writing and enjoying haikua hands on guide penguin books** - Apr 08 2023

web jul 1 2017 after looking at why the reading and writing of haiku is important from a spiritual point of view the book shows as has never been done before the techniques of writing the when and the where punctuation and capitalization choice of words figures of speech sharing haiku and much much more

**writing and enjoying haiku a hands on guide paperback** - Apr 27 2022

web haiku are clearly shown to be a means of discovering and recording the miracles of the world from the humorous to the tragic this is one of the major themes underlying writing and enjoying haiku that haiku can provide a way to a better life

**writing and enjoying haiku a hands on guide paperback** - Oct 02 2022

web haiku are clearly shown to be a means of discovering and recording the miracles of the world from the humorous to the tragic this is one of the major themes underlying writing and enjoying haiku that haiku can provide a way to a better life

[writing and enjoying haiku a hands on guide amazon com](#) - Oct 14 2023

web jun 21 2013 haiku are clearly shown to be a means of discovering and recording the miracles of the world from the humorous to the tragic this is one of the major themes underlying writing and enjoying haiku that haiku can provide a way to a better life

**writing and enjoying haiku a hands on guide pdf scribd** - May 09 2023

web writing and enjoying haiku a hands on guide free ebook download as pdf file pdf text file txt or read book online for free the best book to knowing haiku for the beginners

**writing and enjoying haiku a hands on guide google books** - Jul 11 2023

web haiku are clearly shown to be a means of discovering and recording the miracles of the world from the humorous to the tragic this is one of the major themes underlying writing and enjoying

**writing and enjoying haiku a hands on guide semantic scholar** - Sep 01 2022

web dec 13 2002 education art writing and enjoying haiku shows how haiku can bring a centered calming atmosphere into one s life by focusing on the outer realities of life instead of the naggings of the inner mind by gaining a new appreciation for

the world of nature and by preserving moments days and events so that they are not lost forever

**writing and enjoying haiku a hands on guide goodreads** - Sep 13 2023

web oct 1 2002 4 24 146 ratings 29 reviews writing and enjoying haiku shows how haiku can bring a centered calming atmosphere into one s life by focusing on the outer realities of life instead of the naggings of the inner mind by gaining a new appreciation for the world of nature and by preserving moments days and events so that

**writing and enjoying haiku a hands on guide softcover** - Nov 03 2022

web haiku are clearly shown to be a means of discovering and recording the miracles of the world from the humorous to the tragic this is one of the major themes underlying writing and enjoying haiku that haiku can provide a way to a better life

**5 tips for writing a haiku power poetry** - Feb 23 2022

web try not to over think while writing your haiku because for this type of poem simple words are the key to expressing complex ideas syllables it is traditional for each haiku have exactly seventeen syllables in all more specifically the first and third lines of the poem are required to have five syllables each while the second line must

**haiku poem definition format history and examples** - May 29 2022

web aug 19 2022 renga japanese renga was a poetic form popular in the thirteenth and fourteenth centuries renga is a longer collaborative poem consisting of lines written back and forth by two or more poets renga was governed by a codified structure and complex set of rules and composed in a formal setting over a few hours

**writing and enjoying haiku penguin random house canada** - Mar 27 2022

web paperback discover other books like this author exclusives and more writing and enjoying haiku shows how haiku can bring a centered calming atmosphere into one s life by focusing on the outer realities of life instead of the naggings of the inner mind by gaining a new appreciation

**writing and enjoying haiku a hands on guide by reichhold** - Jul 31 2022

web jun 30 2013 102 ratings see all formats and editions paperback 129 64 4 used from 129 64 title writing and enjoying haiku a hands on guide binding paperback author janereichhold publisher kodansha publisher kodansha publication date june 30 2013 see all details customers who viewed this item also viewed page 1 of 1

writing and enjoying haiku a hands on guide paperback - Jun 10 2023

web writing and enjoying haiku a hands on guide reichhold jane amazon sg books

writing and enjoying haiku a hands on guide paperback - Mar 07 2023

web jun 21 2013 paperback 42 65 5 used from 42 65 writing and enjoying haiku shows how haiku can bring a centered calming atmosphere into one s life by focusing on the outer realities of life instead of the naggings of the inner mind by gaining a new appreciation for the world of nature and by preserving moments days and events so that

**how to write a haiku with examples grammarly blog** - Dec 04 2022

web aug 9 2022 4 steps to writing a haiku writing a haiku is similar to writing just about any other kind of poem or other piece of text it follows the writing process 1 brainstorm the first step is to brainstorm to generate ideas what do you want to write about do you want your haiku to explore traditional topics like changing seasons and

writing and enjoying haiku a hands on guide paperback - Jun 29 2022

web apr 10 2003 she has divided the book into sections on things to do before writing haiku a comprehensive guide that includes the fragment and phrase theory the place of nature and the importance of simplicity how to enjoy haiku with others and how to apply your haiku skills in related poetry forms

**writing and enjoying haiku a hands on guide paperback** - Jan 05 2023

web writing and enjoying haiku shows how haiku can bring a centered calming atmosphere into one s life by focusing on the outer realities of life instead of the naggings of the inner

**writing and enjoying haiku penguin random house** - Feb 06 2023

web about writing and enjoying haiku writing and enjoying haiku shows how haiku can bring a centered calming atmosphere into one s life by focusing on the outer realities of life instead of the naggings of the inner mind by gaining a new appreciation for the world of nature and by preserving moments days and events so that they are not

writing and enjoying haiku a hand on guide - Aug 12 2023

web reichhold jane writing and enjoying haiku a hand on guide the haiku foundation digital library accessed november 5 2023 thehaikufoundation org omeka items show 269

*havoc* *wikipedi* - Mar 21 2022

web *havoc* genel bilgiler doğum adı kejuan muchita doğum 21 mayıs 1974 49 yaşında başladığı yer long island city queens new york abd tarzlar hip hop meslekler rapçi prodüktör Çalgılar davul makinesi synthesizer klavye bas gitar turntable sampler etkin yıllar 1990 günümüz müzik şirketi

havoc wikipedia - Jul 25 2022

web *havoc* musician born 1974 american rapper and record producer johnny devine born 1974 canadian professional wrestler who uses the ring name havok jimmy havoc born 1984 ring name of a british professional wrestler june havoc 1912 2010 canadian american actress vaudeville performer and memoirist

*havoc cambridge english dictionary* - Feb 17 2022

web *havoc* noun u uk 'hæv ək us 'hæv ək add to word list confusion and lack of order especially causing damage or trouble the storm wreaked caused havoc in the garden uprooting trees and blowing a fence down the delay played caused havoc with their travel arrangements

**havoc 2024 imdb** - Mar 01 2023

web havoc directed by gareth evans with tom hardy timothy olyphant forest whitaker luis guzmán after a drug deal gone wrong a bruised detective must fight his way through the criminal underworld to rescue a politician s estranged son unraveling a deep web of corruption and conspiracy that ensnares his entire city

*havoc english meaning cambridge dictionary* - Jul 05 2023

web havoc definition 1 confusion and lack of order especially causing damage or trouble 2 confusion and lack of learn more

**tureng wreak havoc on türkçe İngilizce sözlük** - Apr 02 2023

web İngilizce türkçe online sözlük tureng kelime ve terimleri çevir ve farklı aksanlarda sesli dinleme wreak havoc on kasıp kavurmak wreak havoc on mahvetmek ne demek

**havoc definition meaning merriam webster** - Jan 31 2023

web the meaning of havoc is wide and general destruction devastation how to use havoc in a sentence wide and general destruction devastation great confusion and disorder

**havoc definition of havoc by the free dictionary** - Nov 28 2022

web define havoc havoc synonyms havoc pronunciation havoc translation english dictionary definition of havoc n 1 widespread destruction devastation 2 disorder or chaos a wild party that created havoc in the house tr v hav ocked hav ock ing hav ocs to

tureng havoc turkish english dictionary - May 03 2023

web wreak havoc with someone or something v birini bir şeyi bozmak 59 idioms wreak havoc with someone or something v birini bir şeyi tahrip etmek english turkish online dictionary tureng translate words and terms with different pronunciation options havoc tahribat make havoc of altüst etmek havoc yıkım work havoc

*tureng havoc türkçe İngilizce sözlük* - Oct 08 2023

web wreak havoc with someone or something f birini bir şeyi tahrip etmek İngilizce türkçe online sözlük tureng kelime ve terimleri çevir ve farklı aksanlarda sesli dinleme havoc tahribat make havoc of altüst etmek havoc yıkım work havoc ne demek

**havoc english french dictionary wordreference com** - Aug 26 2022

web havoc anglais français cry havoc v expr warn of danger sonner l alerte loc v play havoc with sth v expr bring chaos to bouleverser vtr familier chambouler vtr the train strike is playing havoc with my travel plans la grève des trains a chamboulé mon agenda wreak havoc vtr n cause chaos

havoc film 2023 beyazperde com - Jun 04 2023

web 3 4 yönetmen martin scorsese oyuncular leonardo dicaprio lily gladstone robert de niro fragman vizyondaki en İyi filmler

Özet bir uyuşturucu satışı operasyonu sırasında her şeyin ters gitmesinin ardından bir dedektif bir politikacının görüşmediği oğlunu kurtarmak için yeraltı dünyasına girer suç dolu bir

**havoc definition and meaning collins english dictionary** - Oct 28 2022

web 22 hours ago havoc definition havoc is great disorder and confusion meaning pronunciation translations and examples *havoc definition usage examples dictionary com* - Sep 26 2022

web how to use havoc in a sentencethose ejections can wreak havoc on satellites or power grids when they strike earth

**havoc synonyms 259 similar and opposite words merriam webster** - Apr 21 2022

web synonyms for havoc hell chaos mess confusion jumble disorder disarray heck antonyms of havoc order system orderliness plan method pattern building

**havoc tjk** - Dec 30 2022

web İsim havoc yaş 2 y de doğ trh 15 01 2021 handicap p 63 baba native khan fr anne neferu unaccounted for usa antrenör m h esİN gerçek sahip cavanŞİr mehmetoĞlu 100 Üzerine koşan sahip cavanŞİr mehmetoĞlu

**havoc havoc fiyatı grafikler piyasa değeri coinmarketcap** - May 23 2022

web havoc try fiyatlarımızı gerçek zamanlı olarak güncelliyoruz havoc son 24 saatte yüzde düştü anlık coinmarketcap sıralaması 3675 piyasa değeri mevcut değil dolaşımdaki arz verisi mevcut değil ve maksimum seviyede 100 000 000 000 havoc coin havoc ile şu anda işlem yapılan en büyük borsalar coinw ve

[havoc 2005 original trailer hd youtube](#) - Jun 23 2022

web jan 5 2022 the original trailer in high definition of havoc directed by barbara kopple starring anne hathaway bijou phillips shiri appleby and michael biehn blu ray

*havoc İngilizce tanımı bab la* - Sep 07 2023

web widespread destruction the hurricane ripped through florida causing havoc 2 great confusion or disorder if they weren t at school they d be wreaking havoc in the streets verb word forms havocs havocking havocked with object archaic lay waste to devastate

**tureng wreak havoc türkçe İngilizce sözlük** - Aug 06 2023

web wreak havoc with someone or something f birini bir şeyi tahrip etmek İngilizce türkçe online sözlük tureng kelime ve terimleri çevir ve farklı aksanlarda sesli dinleme wreak havoc mahvetmek wreak havoc with altüst etmek wreak havoc ne demek