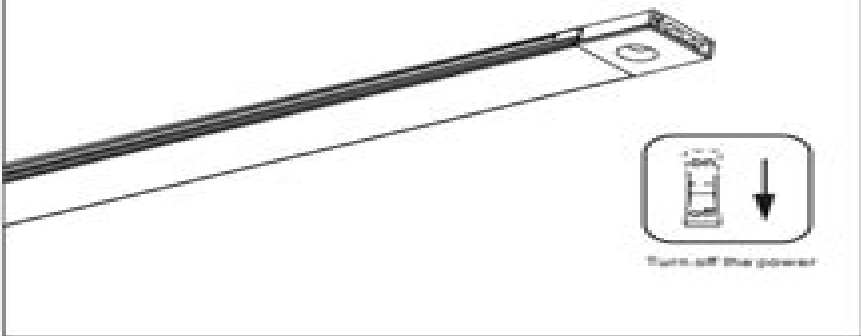
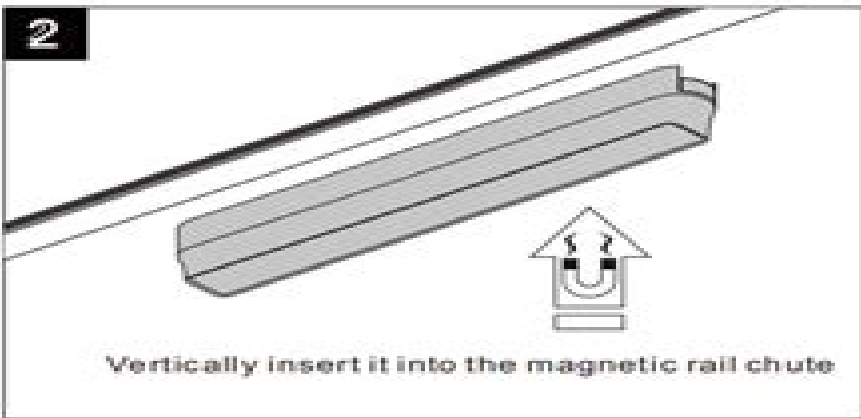


• Installation Instruction

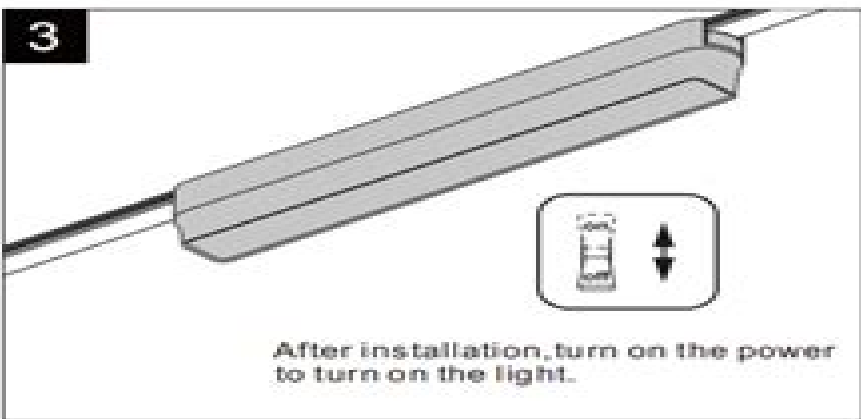
1



2

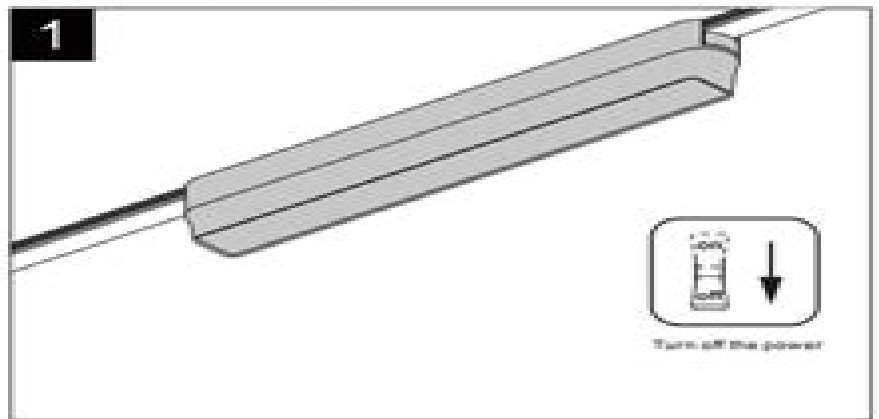


3

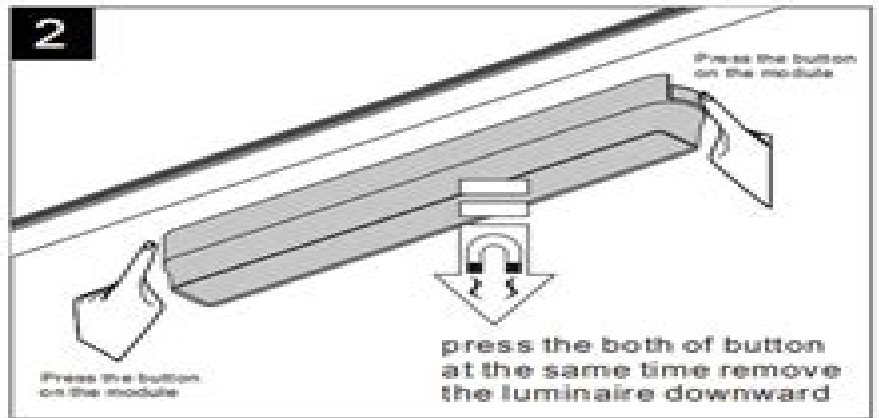


• Remove The Luminaires

1



2



Cautions:

The ultra-thin magnetic suction floodlight, grille, folding floodlight, and folding grille modules are installed in the same way.

Portfolio Lighting Installation Manual Track Light

Julia Schneider



Portfolio Lighting Installation Manual Track Light:

The Codes Guidebook for Interiors Katherine E. Kennon, Sharon K. Harmon, 2022-01-11 THE INTERIOR CODES AND STANDARDS REFERENCE OF CHOICE FOR DESIGNERS AND ARCHITECTS UPDATED FOR THE 2018 AND 2021 CODES If you are involved with the design or management of buildings and spaces it is important to remain up to date on the ever evolving codes and standards that keep communities safe With over 80 000 copies sold The Codes Guidebook for Interiors continues to provide comprehensive explanations of the major codes and standards applicable to commercial and residential interior projects The easily navigable format gives clear perspective to how these often confusing concepts and requirements are integrated into real world practice helping designers incorporate the relevant standards into their projects Updated with the most recent changes and insights to the codes and standards of the ICC NFPA ANSI ADA and other standards the Eighth Edition provides unparalleled and integrated guidance on building safety accessibility sustainability energy efficiency and more Updates to the Eighth Edition include Explanations of code requirements highlighting the latest changes in the 2018 and 2021 ICC codes including the International Building Code and the NFPA s Life Safety Code Clarifications to how and when the ADA ABA and the ICC ANSI accessibility requirements will apply to a project Introduction to the codes and standards that address sustainability in typical projects In depth examinations of fire and smoke resistant assemblies fire protection systems and plumbing and mechanical requirements A companion website with printable study flashcards instructor s manual and PowerPoint slides for use in academic settings Digital and printable code checklists that can guide code research for professional projects and use in a design studio Current practical and relevant to nearly any interior or architectural project The Codes Guidebook for Interiors provides invaluable insight and reference for both student and professional interior designers and architects *Architectural Record* ,1927 **The Railway and Engineering Review** Walter Mason Camp,1905 The Electrician ,1908 **The Electrical Journal** ,1908 **Fiber Optics Illustrated Dictionary** J.K. Petersen,2002-12-26 Within a few short years fiber optics has skyrocketed from an interesting laboratory experiment to a billion dollar industry But with such meteoric growth and recent exciting advances even references published less than five years ago are already out of date The Fiber Optics Illustrated Dictionary fills a gap in the literature by providing instructors hobbyists and top level engineers with an accessible current reference From the author of the best selling Telecommunications Illustrated Dictionary this comprehensive reference includes fundamental physics basic technical information for fiber splicing installation maintenance and repair and follow up information for communications and other professionals using fiber optic components Well balanced well researched and extensively cross referenced it also includes hundreds of photographs charts and diagrams that clarify the more complex ideas and put simpler ideas into their applications context Fiber optics is a vibrant field not just in terms of its growth and increasing sophistication but also in terms of the people places and details that make up this challenging and rewarding industry In addition to furnishing an

authoritative up to date resource for relevant industry definitions this dictionary introduces many exciting recent applications as well as hinting at emerging future technologies **American Inventor**, 1902 Railroad Gazette, 1895 **Close-up and Macro Photography** Robert Thompson, 2017-09-18 Focusing on fieldcraft techniques for macro and close up photography Thompson covers the vital but often overlooked skills necessary to achieve consistent professional results in the field Case studies covering a broad and often challenging group of subjects from the seashore to your back garden form the core of the lavishly illustrated book Biology life history subject behaviour and ethics along with best practice approaches are discussed in detail and underpinned with photographic tips The book is divided into four sections Digital Fundamentals Fieldcraft Methodology Portfolio Case Studies Digital Workflow Presentation covering the full photographic process from capture through to editing captioning development and storage are discussed Moving beyond the surface level approach to macro instruction this book provides readers with techniques that work in the field Illustrated with over 250 of the author's own inspiring images this publication is a must for photographers naturalists and anyone interested in improving their macro skills in the field **Scientific American**, 1886 Monthly magazine devoted to topics of general scientific interest

Moody's Manual of Investments John Sherman Porter, 1947 American government securities 1928 53 in 5 annual vols v 1 Railroad securities 1952 53 Transportation v 2 Industrial securities v 3 Public utility securities v 4 Government securities 1928 54 v 5 Banks insurance companies investment trusts real estate finance and credit companies 1928 54 Handbook of Web Based Energy Information and Control Systems Barney L. Capehart, Timothy Middelkoop, 2020-12-22 This book promotes the benefits of the development and application of energy information and control systems This wave of information technology IT and web based energy information and control systems web based EIS ECS continues to roll on with increasing speed and intensity This handbook presents recent technological advancements in the field as well as a compilation of the best information from three previous books in this area The combined thrust of this information is that the highest level functions of the building and facility automation system are delivered by a web based EIS ECS system that provides energy management facility management overall facility operational management and ties in with the enterprise resource management system for the entire facility or the group of facilities being managed **The Photographic News** Sir William Crookes, George Wharton Simpson, 1907 **Popular Science**, 1939-03 Popular Science gives our readers the information and tools to improve their technology and their world The core belief that Popular Science and our readers share The future is going to be better and science and technology are the driving forces that will help make it better Railroad Age Gazette, 1904 Road and Track, 1976 **Popular Mechanics**, 1930-03 Popular Mechanics inspires instructs and influences readers to help them master the modern world Whether it's practical DIY home improvement tips gadgets and digital technology information on the newest cars or the latest breakthroughs in science PM is the ultimate guide to our high tech lifestyle **House Beautiful's Maintenance & Postwar Building Manual**, 1949 Lilley's Pharmacology for Canadian

Health Care Practice - E-Book Kara Sealock, Cydnee Seneviratne, 2024-07-11 Let Canada's 1 pharmacology text guide you in mastering the complicated world of nursing pharmacology. Now in its fifth edition, Lilley's Pharmacology for Canadian Health Care Practice covers all the key pharmacology content needed by today's Canadian nurses. Known for its vibrant design, abundance of visuals, and wealth of helpful feature boxes, this engaging text brings important pharmacology concepts to life. The book's popular and unique key drug approach focuses on the drug information you need to know to safely and effectively administer drugs. Providing exam preparation and insightful learning strategies, this complete and proven pharmacology text helps you succeed in school, clinicals, and professional practice. *Scientific and Technical Aerospace Reports*, 1971

Portfolio Lighting Installation Manual Track Light Book Review: Unveiling the Magic of Language

In an electronic digital era where connections and knowledge reign supreme, the enchanting power of language has become much more apparent than ever. Its capability to stir emotions, provoke thought, and instigate transformation is really remarkable. This extraordinary book, aptly titled "**Portfolio Lighting Installation Manual Track Light**," published by a very acclaimed author, immerses readers in a captivating exploration of the significance of language and its profound impact on our existence. Throughout this critique, we shall delve to the book's central themes, evaluate its unique writing style, and assess its overall influence on its readership.

https://crm.avenza.com/results/uploaded-files/index.jsp/reading_plus_answers_level_g.pdf

Table of Contents Portfolio Lighting Installation Manual Track Light

1. Understanding the eBook Portfolio Lighting Installation Manual Track Light
 - The Rise of Digital Reading Portfolio Lighting Installation Manual Track Light
 - Advantages of eBooks Over Traditional Books
2. Identifying Portfolio Lighting Installation Manual Track Light
 - Exploring Different Genres
 - Considering Fiction vs. Non-Fiction
 - Determining Your Reading Goals
3. Choosing the Right eBook Platform
 - Popular eBook Platforms
 - Features to Look for in an eBook Platform
 - User-Friendly Interface
4. Exploring eBook Recommendations from Portfolio Lighting Installation Manual Track Light
 - Personalized Recommendations
 - Portfolio Lighting Installation Manual Track Light User Reviews and Ratings
 - Portfolio Lighting Installation Manual Track Light and Bestseller Lists

5. Accessing Portfolio Lighting Installation Manual Track Light Free and Paid eBooks
 - Portfolio Lighting Installation Manual Track Light Public Domain eBooks
 - Portfolio Lighting Installation Manual Track Light eBook Subscription Services
 - Portfolio Lighting Installation Manual Track Light Budget-Friendly Options
6. Navigating Portfolio Lighting Installation Manual Track Light eBook Formats
 - ePub, PDF, MOBI, and More
 - Portfolio Lighting Installation Manual Track Light Compatibility with Devices
 - Portfolio Lighting Installation Manual Track Light Enhanced eBook Features
7. Enhancing Your Reading Experience
 - Adjustable Fonts and Text Sizes of Portfolio Lighting Installation Manual Track Light
 - Highlighting and Note-Taking Portfolio Lighting Installation Manual Track Light
 - Interactive Elements Portfolio Lighting Installation Manual Track Light
8. Staying Engaged with Portfolio Lighting Installation Manual Track Light
 - Joining Online Reading Communities
 - Participating in Virtual Book Clubs
 - Following Authors and Publishers Portfolio Lighting Installation Manual Track Light
9. Balancing eBooks and Physical Books Portfolio Lighting Installation Manual Track Light
 - Benefits of a Digital Library
 - Creating a Diverse Reading Collection Portfolio Lighting Installation Manual Track Light
10. Overcoming Reading Challenges
 - Dealing with Digital Eye Strain
 - Minimizing Distractions
 - Managing Screen Time
11. Cultivating a Reading Routine Portfolio Lighting Installation Manual Track Light
 - Setting Reading Goals Portfolio Lighting Installation Manual Track Light
 - Carving Out Dedicated Reading Time
12. Sourcing Reliable Information of Portfolio Lighting Installation Manual Track Light
 - Fact-Checking eBook Content of Portfolio Lighting Installation Manual Track Light
 - Distinguishing Credible Sources
13. Promoting Lifelong Learning

- Utilizing eBooks for Skill Development
 - Exploring Educational eBooks
14. Embracing eBook Trends
- Integration of Multimedia Elements
 - Interactive and Gamified eBooks

Portfolio Lighting Installation Manual Track Light Introduction

In this digital age, the convenience of accessing information at our fingertips has become a necessity. Whether its research papers, eBooks, or user manuals, PDF files have become the preferred format for sharing and reading documents. However, the cost associated with purchasing PDF files can sometimes be a barrier for many individuals and organizations. Thankfully, there are numerous websites and platforms that allow users to download free PDF files legally. In this article, we will explore some of the best platforms to download free PDFs. One of the most popular platforms to download free PDF files is Project Gutenberg. This online library offers over 60,000 free eBooks that are in the public domain. From classic literature to historical documents, Project Gutenberg provides a wide range of PDF files that can be downloaded and enjoyed on various devices. The website is user-friendly and allows users to search for specific titles or browse through different categories. Another reliable platform for downloading Portfolio Lighting Installation Manual Track Light free PDF files is Open Library. With its vast collection of over 1 million eBooks, Open Library has something for every reader. The website offers a seamless experience by providing options to borrow or download PDF files. Users simply need to create a free account to access this treasure trove of knowledge. Open Library also allows users to contribute by uploading and sharing their own PDF files, making it a collaborative platform for book enthusiasts. For those interested in academic resources, there are websites dedicated to providing free PDFs of research papers and scientific articles. One such website is Academia.edu, which allows researchers and scholars to share their work with a global audience. Users can download PDF files of research papers, theses, and dissertations covering a wide range of subjects. Academia.edu also provides a platform for discussions and networking within the academic community. When it comes to downloading Portfolio Lighting Installation Manual Track Light free PDF files of magazines, brochures, and catalogs, Issuu is a popular choice. This digital publishing platform hosts a vast collection of publications from around the world. Users can search for specific titles or explore various categories and genres. Issuu offers a seamless reading experience with its user-friendly interface and allows users to download PDF files for offline reading. Apart from dedicated platforms, search engines also play a crucial role in finding free PDF files. Google, for instance, has an advanced search feature that allows users to filter results by file type. By specifying the file type as "PDF," users can find websites that offer free PDF downloads on a specific topic. While downloading Portfolio Lighting Installation

Manual Track Light free PDF files is convenient, its important to note that copyright laws must be respected. Always ensure that the PDF files you download are legally available for free. Many authors and publishers voluntarily provide free PDF versions of their work, but its essential to be cautious and verify the authenticity of the source before downloading Portfolio Lighting Installation Manual Track Light. In conclusion, the internet offers numerous platforms and websites that allow users to download free PDF files legally. Whether its classic literature, research papers, or magazines, there is something for everyone. The platforms mentioned in this article, such as Project Gutenberg, Open Library, Academia.edu, and Issuu, provide access to a vast collection of PDF files. However, users should always be cautious and verify the legality of the source before downloading Portfolio Lighting Installation Manual Track Light any PDF files. With these platforms, the world of PDF downloads is just a click away.

FAQs About Portfolio Lighting Installation Manual Track Light Books

How do I know which eBook platform is the best for me? Finding the best eBook platform depends on your reading preferences and device compatibility. Research different platforms, read user reviews, and explore their features before making a choice. Are free eBooks of good quality? Yes, many reputable platforms offer high-quality free eBooks, including classics and public domain works. However, make sure to verify the source to ensure the eBook credibility. Can I read eBooks without an eReader? Absolutely! Most eBook platforms offer webbased readers or mobile apps that allow you to read eBooks on your computer, tablet, or smartphone. How do I avoid digital eye strain while reading eBooks? To prevent digital eye strain, take regular breaks, adjust the font size and background color, and ensure proper lighting while reading eBooks. What the advantage of interactive eBooks? Interactive eBooks incorporate multimedia elements, quizzes, and activities, enhancing the reader engagement and providing a more immersive learning experience. Portfolio Lighting Installation Manual Track Light is one of the best book in our library for free trial. We provide copy of Portfolio Lighting Installation Manual Track Light in digital format, so the resources that you find are reliable. There are also many Ebooks of related with Portfolio Lighting Installation Manual Track Light. Where to download Portfolio Lighting Installation Manual Track Light online for free? Are you looking for Portfolio Lighting Installation Manual Track Light PDF? This is definitely going to save you time and cash in something you should think about. If you trying to find then search around for online. Without a doubt there are numerous these available and many of them have the freedom. However without doubt you receive whatever you purchase. An alternate way to get ideas is always to check another Portfolio Lighting Installation Manual Track Light. This method for see exactly what may be included and adopt these ideas to your book. This site will almost certainly help you save time and effort, money and stress. If you are looking for free books then you really should consider finding to assist you try

this. Several of Portfolio Lighting Installation Manual Track Light are for sale to free while some are payable. If you are not sure if the books you would like to download work with for usage along with your computer, it is possible to download free trials. The free guides make it easy for someone to free access online library for download books to your device. You can get free download on free trial for lots of books categories. Our library is the biggest of these that have literally hundreds of thousands of different products categories represented. You will also see that there are specific sites catered to different product types or categories, brands or niches related with Portfolio Lighting Installation Manual Track Light. So depending on what exactly you are searching, you will be able to choose e books to suit your own need. Need to access completely for Campbell Biology Seventh Edition book? Access Ebook without any digging. And by having access to our ebook online or by storing it on your computer, you have convenient answers with Portfolio Lighting Installation Manual Track Light To get started finding Portfolio Lighting Installation Manual Track Light, you are right to find our website which has a comprehensive collection of books online. Our library is the biggest of these that have literally hundreds of thousands of different products represented. You will also see that there are specific sites catered to different categories or niches related with Portfolio Lighting Installation Manual Track Light So depending on what exactly you are searching, you will be able to choose ebook to suit your own need. Thank you for reading Portfolio Lighting Installation Manual Track Light. Maybe you have knowledge that, people have search numerous times for their favorite readings like this Portfolio Lighting Installation Manual Track Light, but end up in harmful downloads. Rather than reading a good book with a cup of coffee in the afternoon, instead they juggled with some harmful bugs inside their laptop. Portfolio Lighting Installation Manual Track Light is available in our book collection an online access to it is set as public so you can download it instantly. Our digital library spans in multiple locations, allowing you to get the most less latency time to download any of our books like this one. Merely said, Portfolio Lighting Installation Manual Track Light is universally compatible with any devices to read.

Find Portfolio Lighting Installation Manual Track Light :

[reading plus answers level g](#)

[read vulcanwolf20vulcan parts price list](#)

[read reason write 11th edition](#)

[realidades 2 workbook answers pg 93](#)

[ready new york ccls grade 6 teacher edition](#)

[realidades 1 capitulo 7b answers](#)

readygen nyc 2nd grade

[realidades 2 3a practice workbook answers](#)

[realidades workbook 3 pg 64 answers](#)

[reading guide questions for 5 5 multicellular life](#)

realidades 1 core practice 4a 7 page 73

ready new york ccls grade 5 ela answer key

realidades capitulo actividad answers

real estate for the general practitioner

realidades 3 workbook teacher s edition

Portfolio Lighting Installation Manual Track Light :

[transcripts archive ged](#) - Oct 11 2022

web where did you earn your ged

ged diploma certificate free printable certificates - Jul 08 2022

web ged diploma printable certificate preview of 5 customizable version ged diploma certificate great for anyone getting a general education degree this certifies a recipient of a ged download free version pdf format download customizable version for 5 doc format what s the difference my safe download promise

get the free blank ged transcript forms il pdffiller - Jun 07 2022

web blank ged transcript forms il pdf free download here request for ged transcript and or diploma for champaign roe9 k12 il us documents gedtranscriptdiplomarequestform pdf i am

official ged transcript request fill online printable fillable - Dec 13 2022

web 01 visit the official website of the ged testing service 02 look for the transcript request section on the website 03 download the official ged transcript request form 04 fill out the form completely with accurate personal information 05 provide your full name date of birth and the year you obtained your ged 06

ged template form fill out and sign printable pdf template - Aug 09 2022

web state of illinois certificate of death certificate of death state file number 7a city or town 4 county of death 9th 12 grade no diploma high school graduate or ged completed diplomas and transcripts

[get ged transcript template 2020 2023 us legal forms](#) - Sep 10 2022

web complete ged transcript template 2020 2023 online with us legal forms easily fill out pdf blank edit and sign them save or instantly send your ready documents

cook county high school equivalency records - Jul 20 2023

web request form for illinois high school equivalency certificate transcript of test scores candidate instructions use this form

only if you tested on paper and pencil in a Cook County GED testing center from 1942 to December 31

Illinois ged - Aug 21 2023

web Illinois ged request transcripts when did you earn your ged all time

state of Illinois high school diplomas transcripts - Jun 19 2023

web ged HISET or TASC verification for a ged HISET or TASC verification letter only contact the Cook County HSE Records Office via email at iccb@cookhs.edu Illinois gov all verification requests must include name at the time of testing date of birth identification number ged ID HISET ID TASC ID or last four digits of social security number

ged transcript template form signnow - May 06 2022

web quick steps to complete and e-sign blank ged transcripts online use get form or simply click on the template preview to open it in the editor start completing the fillable fields and carefully type in required information use the cross or check marks in the top toolbar to select your answers in the list boxes

ged get your ged transcript - Mar 16 2023

web select area request transcripts home of the official ged test find everything you need to earn your high school equivalency prep practice tests schedule online and order your transcript

[download here cdn.cocodoc.com](#) - Mar 04 2022

web IL 60640 8370 instructions for Illinois ged applicant valid passport military ID or other forms of government issued capital area career center capital area school of practical

[blank ged transcript forms il fill download for free cocodoc](#) - Apr 17 2023

web follow these steps to get your blank ged transcript forms il edited with accuracy and agility select the get form button on this page you will enter into our pdf editor edit your file with our easy to use features like adding checkmark erasing and other tools in

Illinois elgin fill online printable fillable blank pdf filler - Apr 05 2022

web Illinois Elgin form is used to obtain a license to operate a business in the city of Elgin Illinois this form is required for all businesses including non-profit organizations that operate within the city limits here are the steps to fill out Illinois Elgin form

Illinois ged transcript fill out sign online dochub - Nov 12 2022

web make these quick steps to modify the pdf ged certificate Illinois online for free sign up and log in to your account log in to the editor with your credentials or click create free account to evaluate the tool's features add the ged certificate Illinois for redacting

blank ged transcript forms il pdf uniport edu - Jan 02 2022

web Mar 3 2023 blank ged transcript forms il 1.6 downloaded from uniport.edu on March 3 2023 by guest blank ged

transcript forms il eventually you will unconditionally discover a new experience and finishing by spending more cash yet when attain you take on that you require to acquire those all needs behind having significantly cash

[blank ged transcript forms il fill download for free cocodoc](#) - Jan 14 2023

web searching for blank ged transcript forms il to fill cocodoc is the best place for you to go offering you a convenient and easy to edit version of blank ged transcript forms il as you wish its huge collection of forms can save

blank ged transcripts fill out and sign printable pdf - Feb 03 2022

web follow the step by step instructions below to design your ged transcripts arizona select the document you want to sign and click upload choose my signature decide on what kind of signature to create there are three variants a typed drawn or uploaded signature create your signature and click ok press done

[illinois ged transcript fillable printable blank pdf form for](#) - Feb 15 2023

web looking for illinois ged transcript to fill cocodoc is the best platform for you to go offering you a user friendly and editable version of illinois ged transcript as you want its bewildering collection of forms can save your time and enhance your efficiency massively

how do i get a copy of my ged certificate illinois form signnow - May 18 2023

web all you need to do is to choose the illinois ged transcripts form complete the appropriate areas add fillable fields if necessary and certify it without second guessing about whether or not your filled out document is legally binding how to protect your illinois ged verification when doing it online

forever fifty and other negotiations by judith viorst publishers - Jun 18 2023

web buy this book forever fifty and other negotiations judith viorst simon schuster 12 95 64pp isbn 978 0 671 64329 4

[forever fifty and other negotiations amazon co uk viorst judith](#) - Dec 12 2022

web buy forever fifty and other negotiations first edition by viorst judith isbn 9780671643294 from amazon s book store everyday low prices and free delivery on eligible orders

[forever fifty and other negotiations viorst judith free](#) - Sep 21 2023

web an icon used to represent a menu that can be toggled by interacting with this icon

forever fifty and other negotiations by judith viorst hardcover - Apr 16 2023

web sep 3 1996 now judith viorst looks at what it s like to be gulp fifty writing with the warmth and

forever fifty and other negotiations google play - Jan 13 2023

web forever fifty and other negotiations ebook written by judith viorst read this book using google play books app on your pc android ios devices download for offline reading highlight bookmark or take notes while you

forever fifty book by judith viorst simon schuster - Jul 07 2022

web excerpt about the author product details resources and downloads forever fifty and other negotiations part of judith viorst s decades by judith viorst hardcover list price 17 00 price may vary by retailer

forever fifty and other negotiations by judith viorst illustrated - Nov 11 2022

web amusing poems written about various aspects of being fifty years old forever fifty and other negotiations by judith viorst illustrated by john alcorn find in nlb library

forever fifty and other negotiations - Mar 03 2022

web judith viorst is known and loved by readers of all ages for children s books such as alexander and the terrible horrible no good very bad day nonfiction titles including the bestseller necessary losses and her collections of humorous poetry which make perfect gifts for birthdays mother s day graduation christmas chanukah

forever fifty and other negotiations judith viorst author forever - Apr 04 2022

web jan 1 1989 forever fifty and other negotiations judith viorst author forever fifty and other negotiations bargain price 1989 hardcover judith viorst author forever fifty and other negotiations john alcorn on amazon com free shipping on qualifying offers

forever fifty and other negotiations by judith viorst goodreads - Oct 22 2023

web forever fifty and other negotiations judith viorst 3 69 199 ratings34 reviews her bestselling verse has unerringly captured our follies and our foibles over the decades now judith viorst in a witty and beautifuly illustrated

forever fifty and other negotiations judith viorst google books - Mar 15 2023

web now judith viorst looks at what it s like to be gulp fifty writing with the warmth and authenticity that have become her trademarks viorst once again demonstrates her uncanny ability to

forever fifty and other negotiations judith viorst s decades - Sep 09 2022

web oct 21 2014 forever fifty and other negotiations judith viorst s decades kindle edition by viorst judith download it once and read it on your kindle device pc phones or tablets use features like bookmarks note taking and highlighting while reading forever fifty and other negotiations judith viorst s decades

forever fifty and other negotiations judith viorst google books - May 17 2023

web her bestselling verse has unerringly captured our follies and our foibles over the decades now judith viorst in a witty and beautifully illustrated new book of poems looks at what it is

forever fifty and other negotiations by judith viorst alibris - May 05 2022

web buy forever fifty and other negotiations by judith viorst online at alibris we have new and used copies available in 3 editions starting at 0 99 shop now

forever fifty and other negotiations judith viorst google books - Feb 14 2023

web her funny compassionate poems shed a reassuring light on the fine art of aging and will delight anyone who is now or forever fifty

forever fifty and other negotiations judith viorst s decades - Oct 10 2022

web buy forever fifty and other negotiations judith viorst s decades illustrated by viorst judith isbn 9780684832371 from amazon s book store everyday low prices and free delivery on eligible orders

forever fifty and other negotiations judith viorst abebooks - Jun 06 2022

web judith viorst is as gentle a guide as you can find into the land of the 50s you ll enjoy your birthday and the decade more if you read and draw upon her wit and wisdom synopsis may belong to another edition of this title buy new learn more about this copy us 9 89 convert currency shipping free within u s a destination rates speeds

forever fifty and other negotiations viorst judith amazon sg - Aug 20 2023

web hello select your address all

forever fifty and other negotiations judith viorst amazon sg - Jul 19 2023

web hello select your address all

forever fifty and other negotiations viorst judith - Aug 08 2022

web forever fifty and other negotiations viorst judith 9780684832371 books amazon ca

nbrc rrt board exam review pass the rrt board exam - Dec 12 2022

web nbrc rrt self assessment exam anyone planning to take the tmc examination can assess how they will perform before actually attempting the examination by taking the

free respiratory therapy flashcards about nbrc rrt - Jul 19 2023

web neonatal pediatric specialty sae form 2018 45 00 self assessment examination for respiratory therapists who test after october 9 2018 pulmonary function technology

registered respiratory therapist rrt the national - Oct 22 2023

web if you are assessing your preparedness for the clinical simulation examination and feel you need more guidance than the free practice exam there is a self assessment

november 2022 pass the rrt board exam - Mar 15 2023

web jul 22 2018 selecting the correct fio2 can be a bit of a mystery on the rrt board exams however if you keep these bullet points in mind you should be successful try to avoid

ebook nbrc rrt self assessment exam - May 05 2022

web if you are assessing your preparedness for the tmc examination and feel you need more guidance than the free practice exam there is a self assessment examination sae

nbrc rrt self assessment exam stage gapinc com - Apr 04 2022

web jul 11 2023 exam nbrc written rrt self assessment examination questions and answers with explanations 2023 nbrc written rrt self assessment examination

certified pulmonary function technologist cpft - Nov 30 2021**adult critical care specialty accs the national board for** - Nov 11 2022

web nbrc rrt self assessment exam author christoph hochheim from orientation sutd edu sg subject nbrc rrt self assessment exam keywords

examinations the national board for respiratory care - Sep 21 2023

web mar 1 2018 definition flow volume loops the ability to measure and display both inspiratory and expiratory flows is the best way to detect upper airway obstruction term

nbrc rrt self assessment exam orientation sutd edu sg - Aug 08 2022

web nbrc rrt self assessment exam self assessment teaching questions for mrcpuk and mrcpi part 2 written exams oct 04 2022 this is the 2nd edition of my previous book

nbrc written rrt self assessment examination questions and - Jan 01 2022*nbrc rrt self assessment exam orientation sutd edu* - Sep 09 2022

web cpft credentials are good for five years the nbrc requires renewal through the credential maintenance program cmp the cmp gives therapists three options to

nbrc rrt self assessment examination 1 course hero - Aug 20 2023

web nbrc rrt self assessment examination created by johnfaar popular respiratory therapy sets study free respiratory therapy flashcards about nbrc rrt exam

employment s pass self assessment tool sat ministry of - Mar 03 2022

web if you are assessing your preparedness for the pft examination and feel you need more guidance than the free practice exam there is a self assessment examination sae

cpft certified pulmonary function technologist vivian health - Jun 06 2022

web employers and employment agents can use the enhanced self assessment tool sat to get an indicative outcome of their ep applications including compass scores the

clinical simulation examination cse the national board for - Feb 02 2022

store department - May 17 2023

web nbrc self assessment examinations the purchase price of the aarc exam prep program includes two 2 therapist multiple choice self assessment examinations and

rrt board exam mechanical ventilation by wiseley damon - Jan 13 2023

web jul 11 2023 nbrc written rrt self assessment examination with complete solutions 2023 nbrc written rrt self assessment examination with complete solutions

nbrc written rrt self assessment examination with complete - Jul 07 2022

web nbrc rrt self assessment exam 1 a comprehensive review for the certification and recertification examinations for physician assistants neonatal and pediatric

certified respiratory therapist crt the national - Jun 18 2023

web nov 21 2022 the following practice questions were developed using the most recent nbrc testing matrix released in 2020 the questions also mirror the content on the

course detail - Feb 14 2023

web the accs examination is available for respiratory care professionals who have proven their dedication to excellence by earning the registered respiratory therapist rrt

nbrc written rrt self assessment examination with complete - Oct 10 2022

web jul 12 2023 nbrc written rrt self assessment examination with complete solutions 2023 nbrc written rrt self assessment examination with complete solutions

significant changes coming to the nbrc exams - Apr 16 2023

web new and updated to reflect the most recent nbrc rrt board exam content guidelines for 2020 there s nothing better than feeling confident and relaxed on exam day knowing