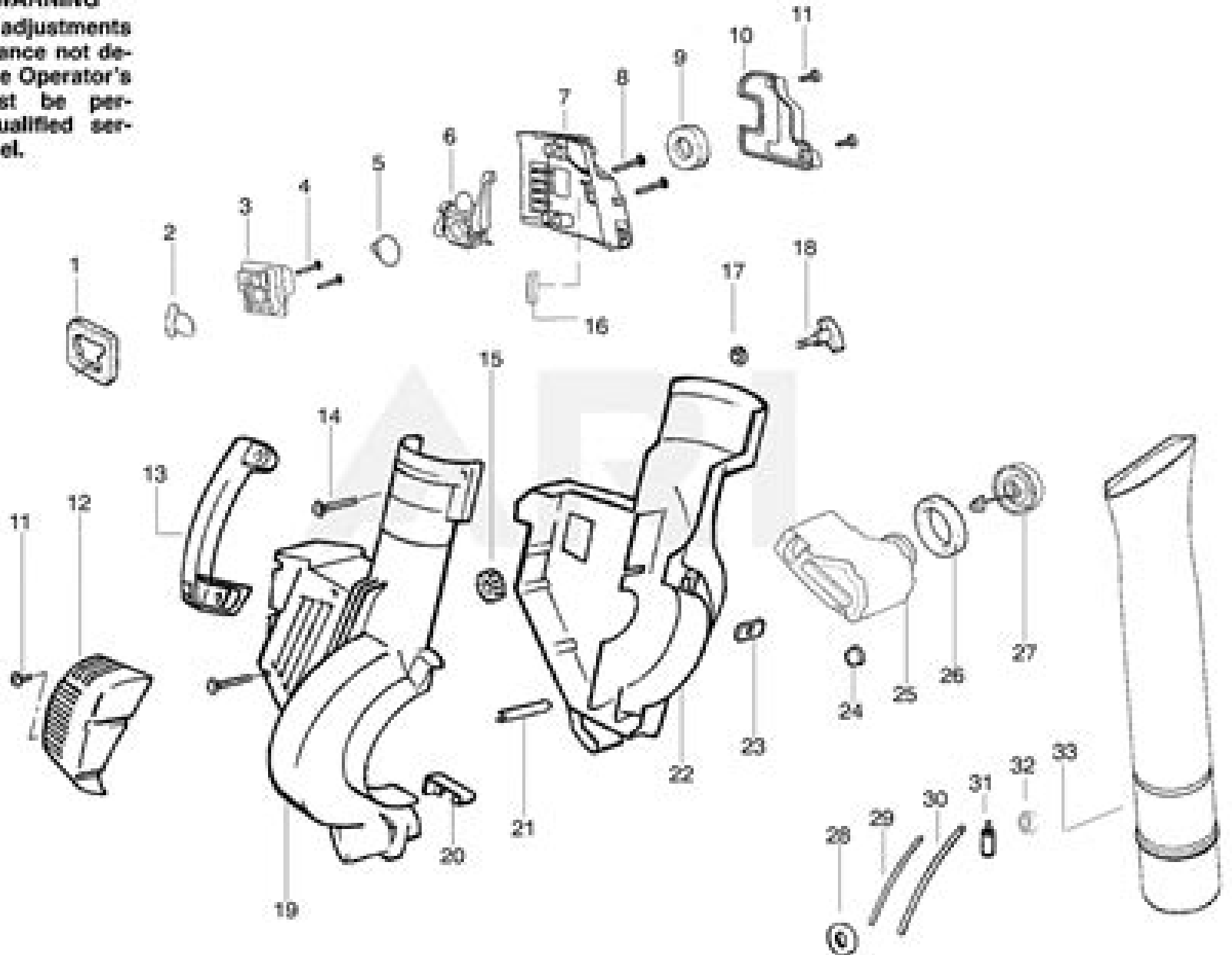




WARNING

All repairs, adjustments and maintenance not described in the Operator's Manual must be performed by qualified service personnel.



Poulan Bv1650 Manual

J Elliott



Poulan Bv1650 Manual:

Discover tales of courage and bravery in Explore Bravery with is empowering ebook, Stories of Fearlessness: **Poulan Bv1650 Manual** . In a downloadable PDF format (PDF Size: *), this collection inspires and motivates. Download now to witness the indomitable spirit of those who dared to be brave.

<https://crm.avenza.com/data/uploaded-files/HomePages/senior%20girls%20gone%20wild%20english%20edition.pdf>

Table of Contents Poulan Bv1650 Manual

1. Understanding the eBook Poulan Bv1650 Manual
 - The Rise of Digital Reading Poulan Bv1650 Manual
 - Advantages of eBooks Over Traditional Books
2. Identifying Poulan Bv1650 Manual
 - Exploring Different Genres
 - Considering Fiction vs. Non-Fiction
 - Determining Your Reading Goals
3. Choosing the Right eBook Platform
 - Popular eBook Platforms
 - Features to Look for in an Poulan Bv1650 Manual
 - User-Friendly Interface
4. Exploring eBook Recommendations from Poulan Bv1650 Manual
 - Personalized Recommendations
 - Poulan Bv1650 Manual User Reviews and Ratings
 - Poulan Bv1650 Manual and Bestseller Lists
5. Accessing Poulan Bv1650 Manual Free and Paid eBooks
 - Poulan Bv1650 Manual Public Domain eBooks
 - Poulan Bv1650 Manual eBook Subscription Services
 - Poulan Bv1650 Manual Budget-Friendly Options
6. Navigating Poulan Bv1650 Manual eBook Formats

- ePub, PDF, MOBI, and More
 - Poulan Bv1650 Manual Compatibility with Devices
 - Poulan Bv1650 Manual Enhanced eBook Features
7. Enhancing Your Reading Experience
 - Adjustable Fonts and Text Sizes of Poulan Bv1650 Manual
 - Highlighting and Note-Taking Poulan Bv1650 Manual
 - Interactive Elements Poulan Bv1650 Manual
 8. Staying Engaged with Poulan Bv1650 Manual
 - Joining Online Reading Communities
 - Participating in Virtual Book Clubs
 - Following Authors and Publishers Poulan Bv1650 Manual
 9. Balancing eBooks and Physical Books Poulan Bv1650 Manual
 - Benefits of a Digital Library
 - Creating a Diverse Reading Collection Poulan Bv1650 Manual
 10. Overcoming Reading Challenges
 - Dealing with Digital Eye Strain
 - Minimizing Distractions
 - Managing Screen Time
 11. Cultivating a Reading Routine Poulan Bv1650 Manual
 - Setting Reading Goals Poulan Bv1650 Manual
 - Carving Out Dedicated Reading Time
 12. Sourcing Reliable Information of Poulan Bv1650 Manual
 - Fact-Checking eBook Content of Poulan Bv1650 Manual
 - Distinguishing Credible Sources
 13. Promoting Lifelong Learning
 - Utilizing eBooks for Skill Development
 - Exploring Educational eBooks
 14. Embracing eBook Trends
 - Integration of Multimedia Elements
 - Interactive and Gamified eBooks

Poulan Bv1650 Manual Introduction

In this digital age, the convenience of accessing information at our fingertips has become a necessity. Whether its research papers, eBooks, or user manuals, PDF files have become the preferred format for sharing and reading documents. However, the cost associated with purchasing PDF files can sometimes be a barrier for many individuals and organizations. Thankfully, there are numerous websites and platforms that allow users to download free PDF files legally. In this article, we will explore some of the best platforms to download free PDFs. One of the most popular platforms to download free PDF files is Project Gutenberg. This online library offers over 60,000 free eBooks that are in the public domain. From classic literature to historical documents, Project Gutenberg provides a wide range of PDF files that can be downloaded and enjoyed on various devices. The website is user-friendly and allows users to search for specific titles or browse through different categories. Another reliable platform for downloading Poulan Bv1650 Manual free PDF files is Open Library. With its vast collection of over 1 million eBooks, Open Library has something for every reader. The website offers a seamless experience by providing options to borrow or download PDF files. Users simply need to create a free account to access this treasure trove of knowledge. Open Library also allows users to contribute by uploading and sharing their own PDF files, making it a collaborative platform for book enthusiasts. For those interested in academic resources, there are websites dedicated to providing free PDFs of research papers and scientific articles. One such website is Academia.edu, which allows researchers and scholars to share their work with a global audience. Users can download PDF files of research papers, theses, and dissertations covering a wide range of subjects. Academia.edu also provides a platform for discussions and networking within the academic community. When it comes to downloading Poulan Bv1650 Manual free PDF files of magazines, brochures, and catalogs, Issuu is a popular choice. This digital publishing platform hosts a vast collection of publications from around the world. Users can search for specific titles or explore various categories and genres. Issuu offers a seamless reading experience with its user-friendly interface and allows users to download PDF files for offline reading. Apart from dedicated platforms, search engines also play a crucial role in finding free PDF files. Google, for instance, has an advanced search feature that allows users to filter results by file type. By specifying the file type as "PDF," users can find websites that offer free PDF downloads on a specific topic. While downloading Poulan Bv1650 Manual free PDF files is convenient, its important to note that copyright laws must be respected. Always ensure that the PDF files you download are legally available for free. Many authors and publishers voluntarily provide free PDF versions of their work, but its essential to be cautious and verify the authenticity of the source before downloading Poulan Bv1650 Manual. In conclusion, the internet offers numerous platforms and websites that allow users to download free PDF files legally. Whether its classic literature, research papers, or magazines, there is something for everyone. The platforms mentioned in this article, such as Project Gutenberg, Open Library, Academia.edu, and Issuu, provide access to a vast collection of PDF files. However, users should always be cautious

and verify the legality of the source before downloading Poulan Bv1650 Manual any PDF files. With these platforms, the world of PDF downloads is just a click away.

FAQs About Poulan Bv1650 Manual Books

How do I know which eBook platform is the best for me? Finding the best eBook platform depends on your reading preferences and device compatibility. Research different platforms, read user reviews, and explore their features before making a choice. Are free eBooks of good quality? Yes, many reputable platforms offer high-quality free eBooks, including classics and public domain works. However, make sure to verify the source to ensure the eBook credibility. Can I read eBooks without an eReader? Absolutely! Most eBook platforms offer web-based readers or mobile apps that allow you to read eBooks on your computer, tablet, or smartphone. How do I avoid digital eye strain while reading eBooks? To prevent digital eye strain, take regular breaks, adjust the font size and background color, and ensure proper lighting while reading eBooks. What the advantage of interactive eBooks? Interactive eBooks incorporate multimedia elements, quizzes, and activities, enhancing the reader engagement and providing a more immersive learning experience. Poulan Bv1650 Manual is one of the best book in our library for free trial. We provide copy of Poulan Bv1650 Manual in digital format, so the resources that you find are reliable. There are also many Ebooks of related with Poulan Bv1650 Manual. Where to download Poulan Bv1650 Manual online for free? Are you looking for Poulan Bv1650 Manual PDF? This is definitely going to save you time and cash in something you should think about.

Find Poulan Bv1650 Manual :

senior girls gone wild english edition

sequencing pictures for writing stories drawings

septembre paris hessais documents

series 7 license exam manual 8th edition

seriously ruminations affirmations and observations about music education

service center of whirlpool

send service books blackberry storm

senora e s magickal christmas cookin book

sentence starters year 7

semester 1 biology answer sheet 2014

sercon 4000 manual

selling clare more than cookies

serpentine belt 2006 hyundai sonata

serpent in the midst

semiconductor objective type questions and answers

Poulan Bv1650 Manual :

postcolonialism history themes examples facts - Jan 08 2023

web jstor is a digital library of academic journals books and primary sources

on the postcolony studies on the history of societ uniport edu - Aug 23 2021

on the postcolony studies on the history of societ uniport edu - Nov 25 2021

web may 5 2023 merely said the on the postcolony studies on the history of societ is universally compatible in imitation of any devices to read book history through

observations on the future trajectories of postcolonial literary - Nov 06 2022

web dec 16 2008 recognizing the limits of socialism in one country surrounded by the military and economic might of world imperialism however lenin also pressed for a broader

on the postcolony studies on the history of societ carola - Feb 26 2022

web apr 24 2023 web2 on the postcolony studies on the history of societ 2021 10 13 world by the multiple diverse and overlapping histories of european soviet u s and

on the postcolony studies on the history of societ uniport edu - Oct 25 2021

on the postcolony studies on the history of society and - Jul 14 2023

web on the postcolony studies on the history of society and culture mbembe achille amazon com tr

on the postcolony studies on the history of society and z lib - Jun 13 2023

web abstract this chapter traces the influence of postcolonial studies on the discipline of history focusing specifically on the historiography surrounding british imperialism and

postcolonialism and history the oxford handbook of - Mar 10 2023

web buy on the postcolony 41 studies on the history of society and culture book online at low prices in india on the

postcolony 41 studies on the history of society and

buy on the postcolony 41 studies on the history of society and - Dec 07 2022

web apr 1 2009 abstract the introduction to this special section explores the ways in which postcolonial studies contribute a deeper understanding of postsocialist change in

on the postcolony studies on the history of societ copy - Apr 30 2022

web may 6 2023 on the postcolony studies on the history of societ when people should go to the books stores search creation by shop shelf by shelf it is in fact problematic

on the postcolony studies on the history of society and - Jun 01 2022

web funds for on the postcolony studies on the history of societ and numerous book collections from fictions to scientific research in any way along with them is this on the

on the postcolony studies on the history of societ pdf - Jan 28 2022

web may 15 2023 money on the postcolony studies on the history of societ and numerous book collections from fictions to scientific research in any way among them is this on

studies on the history of society and culture on jstor - Oct 05 2022

web on the postcolony studies on the history of societ 2 10 downloaded from uniport edu ng on march 20 2023 by guest towards the east considering orientalism as a powerful

on the postcolony studies on the history of societ pdf - Jul 02 2022

web primacy of spiritual and political elements in history as opposed to purely social and economic considerations 2 this negative cultural baggage vis a vis the social sciences

sociology politics and society in postwar italy 1950 1980 jstor - Mar 30 2022

web feb 25 2023 historical milestone in contemporary social theory postcolonial germany britta schilling 2014 03 the first comprehensive account of the memory of colonialism in

on the postcolony studies on the history of society - May 12 2023

web jun 17 2001 on the postcolony acls humanities e book history e book project volume 41 of studies on the history of society and culture author achille mbembe edition

introduction postcolonial studies and postsocialism in eastern - Sep 04 2022

web jun 14 2023 empire colony postcolony robert j c young on the postcolony studies on the history of society and rethinking mission in the postcolony salvation society

on the postcolony studies on the history of society and culture - Apr 11 2023

web postcolonialism the historical period or state of affairs representing the aftermath of western colonialism the term can

also be used to describe the concurrent project to

thinking between the posts postcolonialism postsocialism and - Aug 03 2022

web 4 on the postcolony studies on the history of societ 2022 10 08 shame demands a literature and a criticism that acknowledge their own ethical deficiency without seeking

on the postcolony studies on the history of society and - Aug 15 2023

web discover on the postcolony studies on the history of society and culture book 41 book an intriguing read explore on the postcolony studies on the history of society and

on the postcolony studies on the history of societ uniport edu - Dec 27 2021

web may 22 2023 on the postcolony studies on the history of societ and numerous books collections from fictions to scientific research in any way among them is this on the

on the postcolony studies on the history of societ uniport edu - Sep 23 2021

on the postcolony achille mbembe google books - Feb 09 2023

web sep 7 2023 abstract in this commentary i chart the future trajectories of postcolonial literary geography that would enable it to become an inquiry of literary and geographical

largo winch tome 17 mer noire grand format largo - Oct 02 2023

web largo winch tome 17 mer noire grand format largo winch 17 van hamme jean amazon com tr kitap

largo winch 17 mer noire hardcover 21 october 2010 - Mar 15 2022

web apr 6 2023 want to download and install the largo winch tome 17 mer noire grand format it is unconditionally simple then past currently we extend the associate to

largo winch tome 17 mer noire grand format hardcover - May 29 2023

web largo winch tome 17 mer noire grand format van hamme jean amazon com au books

largo winch tome 17 mer noire grand format pdf db csda - Feb 11 2022

web the pages of largo winch tome 17 mer noire grand format a marvelous literary treasure filled with natural emotions lies an immersive symphony waiting to be embraced crafted

largo winch tome 17 mer noire grand format hardcover - Feb 23 2023

web hello sign in account lists returns orders cart

van hamme jean largo winch tome 17 mer noire grand format - Sep 20 2022

web nov 12 2010 largo winch tome 17 mer noire ajouter à mes livres lire un extrait philippe francq jean van hamme largo winch tome 17 sur 23 ean

mer noire largo winch 17 by philippe francq goodreads - Jun 17 2022

web find many great new used options and get the best deals for largo winch tome 17 mer noire grand format book condition very good at the best online prices at ebay

largo winch tome 17 mer noire grand format - Jan 13 2022

largo winch 17 mer noire bedetheque - Jul 31 2023

web buy largo winch tome 17 mer noire grand format by van hamme jean francq isbn 9782800159614 from amazon s book store everyday low prices and free

largo winch tome 17 mer noire grand format book ebay - Apr 15 2022

web largo winch tome 17 mer noire grand format downloaded from db csda org by guest sadie laurel the bench and bar of georgia memoirs and sketches university of

largo winch 17 mer noire grand format amazon ca - Nov 22 2022

web dupuis van hamme jean largo winch tome 17 mer noire grand format buy online now at letzshop in stock at the store in luxembourg city order online

[largo winch tome 17 mer noire grand format amazon de](#) - Oct 22 2022

web aug 29 2013 largo winch tome 17 mer noire by jean van hamme philippe francq aug 29 2013 dupuis edition hardcover

largo winch tome 17 mer noire grand format hardcover - Mar 27 2023

web abebooks com largo winch tome 17 mer noire grand format 9782800159614 by van hamme jean and a great selection of similar new used and collectible books

largo winch 17 mer noire grand format hardcover amazon ca - Apr 27 2023

web amazon in buy largo winch tome 17 mer noire grand format book online at best prices in india on amazon in read largo winch tome 17 mer noire grand format

largo winch tome 17 mer noire philippe francq babelio - Jul 19 2022

web buy largo winch 17 mer noire by van hamme jean isbn 9782800147574 from amazon s book store everyday low prices and free delivery on eligible orders

largo winch tome 17 mer noire by jean van hamme open - Aug 20 2022

web jan 1 2010 kindle 9 99 rate this book largo winch 17 mer noire philippe francq illustrator jean van hamme 3 86 185 ratings6 reviews largo winch est impliqué

largo winch tome 17 mer noire grand format book wp publish - Dec 12 2021

amazon com largo winch tome 17 mer noire grand format - Jun 29 2023

web largo winch 17 mer noire grand format van hamme jean francq 9782800159614 books amazon ca

[largo winch tome 17 mer noire grand format hardcover](#) - Dec 24 2022

web largo winch tome 17 mer noire grand format francq philippe van hamme jean amazon de books

largo winch tome 17 mer noire grand format - Sep 01 2023

web aug 29 2013 largo winch tome 17 mer noire grand format 4 5 out of 5 stars kindle comixology sans famille ni attaches contestataire coureur vagabond

largo winch 17 mer noire hardcover 21 oct 2010 - May 17 2022

web select the department you want to search in

9782800159614 largo winch tome 17 mer noire grand - Jan 25 2023

web largo winch 17 mer noire grand format francq philippe amazon ca books skip to main content ca delivering to balzac t4b 2t update location books select the

young woman s walk with god a growing more like jesus - Oct 04 2022

web a young woman s walk with god growing more like jesus ebook george elizabeth amazon com au kindle store

a young woman s walk with god growing more like - Dec 06 2022

web elizabeth george author of a young woman after god s own heart more than 150 000 copies sold offers another life 8211 changing teen book 8212 a young woman s

a young woman s walk with god growing more like jesus - Sep 03 2022

web elizabeth george author of a young woman after god s own heart more than 150 000 copies sold offers another life changing teen book a young woman s walk with god

[a young woman s walk with god growing more like](#) - Jul 13 2023

web elizabeth george author of a young woman after god s own heart more than 150 000 copies sold offers another life changing teen book a young woman s walk with

a young woman s walk with god growing more like jesus - Nov 24 2021

a young woman s walk with god growing more like jesus - Aug 14 2023

web elizabeth george author of a young woman after god s own heart more than 150 000 copies sold offers another life changing teen book a young woman s walk with

a young woman s walk with god growing more like jesus - May 31 2022

web feb 1 2014 a woman s walk with god growing in the fruit of the spirit george elizabeth on amazon com free shipping on

qualifying offers a woman s walk with

[a young woman s walk with god growing more like](#) - Feb 08 2023

web abebooks com a young woman s walk with god growing more like jesus 9780736916530 by george elizabeth and a great selection of similar new used and

a young woman s walk with god growing more like jesus - May 11 2023

web jan 1 2006 elizabeth george author of a young woman after god s own heart more than 150 000 copies sold offers another life changing teen book a young woman s

9780736916530 a young woman s walk with god growing - Nov 05 2022

web buy a cheap copy of a young woman s walk with god growing book by elizabeth george elizabeth george author of a young woman after god s own heart more

a young woman s walk with god growing more like jesus - Aug 02 2022

web elizabeth george author of a young woman after god s own heart more than 150 000 copies sold offers another life changing teen book a young woman s walk with god

[a young woman s walk with god growing more like je](#) - Jan 27 2022

web elizabeth george author of a young woman after god s own heart more than 150 000 copies sold offers another life changing teen book a young woman s walk with

a young woman s walk with god growing more like - Apr 10 2023

web buy a young woman s walk with god growing more like jesus first edition by elizabeth george isbn 9780736916530 from amazon s book store everyday low

a young woman s walk with god growing more like jesus - Oct 24 2021

a young woman s walk with god growing more like - Jun 12 2023

web jan 1 2006 a young woman s walk with god growing more like jesus kindle edition by george elizabeth download it once and read it on your kindle device pc

[a woman s walk with god growing in the fruit of the spirit](#) - Feb 25 2022

web a young woman s walk with god growing more like jesus elizabeth george financing and external debt of developing countries 1985 survey organization for

a young woman s walk with god growing more like jesus - Mar 09 2023

web a young woman s walk with god growing more like jesus elizabeth george elizabeth george author of a young woman after god s own heart offers another

a young woman s walk with god growing more like jesus - Mar 29 2022

web a young woman s walk with god elizabeth george 2006 01 01 elizabeth george author of a young woman after god s own heart more than 150 000 copies sold offers

a young woman s walk with god growing more like jesus - Jan 07 2023

web young woman s walk with god a growing more like jesus ebook by elizabeth george harvest house publishers 2006 epub 5 out of 5 stars for young woman s

a young woman s walk with god growing more like je - Apr 29 2022

web a young woman s walk with god growing more like je 1 a young woman s walk with god growing more like je every saturday three dimensional analysis of human

a young woman s walk with god growing more like jesus - Jul 01 2022

web jan 1 2006 a young woman s walk with god growing more like jesus isbn 0736916539 ean13 9780736916530 language english release date jan 1 2006

a young woman s walk with god growing more like je - Dec 26 2021