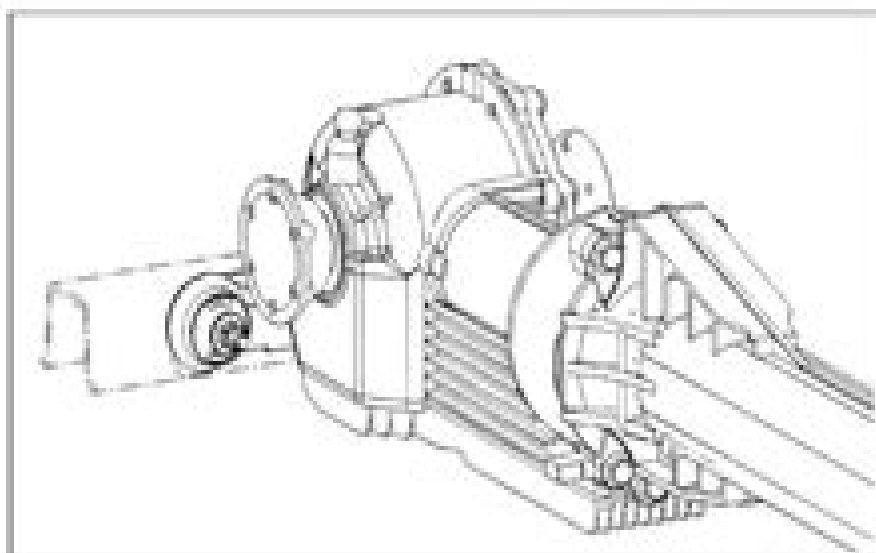




Page Thumbnails X

[top of page](#)

## Front wheel drive Z 96.00



Type	Code letter	Equipment	Installed in	Model year
Z 96.00	-	-	911 Turbo (996) world-wide	2001

General data	Front-axle final drive Z 96.00
Transmission ratio, final drive $G2 : Z1 = i$	11 : 9 = 1.44
Final drive	Bevel gear drive without hypoid offset
Filling capacity	approx. 1.5 l

# Porsche 996 Turbo Service Manual 2001 2005

**Puja Mehta**



**Porsche 996 Turbo Service Manual 2001 2005:**

## Enjoying the Melody of Phrase: An Psychological Symphony within **Porsche 996 Turbo Service Manual 2001 2005**

In a world consumed by monitors and the ceaseless chatter of fast transmission, the melodic splendor and psychological symphony created by the published term frequently fade in to the backdrop, eclipsed by the constant noise and interruptions that permeate our lives. Nevertheless, nestled within the pages of **Porsche 996 Turbo Service Manual 2001 2005** an enchanting literary value full of natural feelings, lies an immersive symphony waiting to be embraced. Constructed by an elegant musician of language, this charming masterpiece conducts visitors on a mental trip, skillfully unraveling the concealed melodies and profound affect resonating within each cautiously constructed phrase. Within the depths of the poignant review, we can investigate the book is key harmonies, analyze their enthralling writing model, and submit ourselves to the profound resonance that echoes in the depths of readers souls.

[https://crm.avenza.com/About/publication/fetch.php/seduction\\_a\\_novel\\_of\\_suspense\\_reincarnationist\\_series.pdf](https://crm.avenza.com/About/publication/fetch.php/seduction_a_novel_of_suspense_reincarnationist_series.pdf)

### **Table of Contents Porsche 996 Turbo Service Manual 2001 2005**

1. Understanding the eBook Porsche 996 Turbo Service Manual 2001 2005
  - The Rise of Digital Reading Porsche 996 Turbo Service Manual 2001 2005
  - Advantages of eBooks Over Traditional Books
2. Identifying Porsche 996 Turbo Service Manual 2001 2005
  - Exploring Different Genres
  - Considering Fiction vs. Non-Fiction
  - Determining Your Reading Goals
3. Choosing the Right eBook Platform
  - Popular eBook Platforms
  - Features to Look for in an Porsche 996 Turbo Service Manual 2001 2005
  - User-Friendly Interface
4. Exploring eBook Recommendations from Porsche 996 Turbo Service Manual 2001 2005
  - Personalized Recommendations

- Porsche 996 Turbo Service Manual 2001 2005 User Reviews and Ratings
- Porsche 996 Turbo Service Manual 2001 2005 and Bestseller Lists
- 5. Accessing Porsche 996 Turbo Service Manual 2001 2005 Free and Paid eBooks
  - Porsche 996 Turbo Service Manual 2001 2005 Public Domain eBooks
  - Porsche 996 Turbo Service Manual 2001 2005 eBook Subscription Services
  - Porsche 996 Turbo Service Manual 2001 2005 Budget-Friendly Options
- 6. Navigating Porsche 996 Turbo Service Manual 2001 2005 eBook Formats
  - ePub, PDF, MOBI, and More
  - Porsche 996 Turbo Service Manual 2001 2005 Compatibility with Devices
  - Porsche 996 Turbo Service Manual 2001 2005 Enhanced eBook Features
- 7. Enhancing Your Reading Experience
  - Adjustable Fonts and Text Sizes of Porsche 996 Turbo Service Manual 2001 2005
  - Highlighting and Note-Taking Porsche 996 Turbo Service Manual 2001 2005
  - Interactive Elements Porsche 996 Turbo Service Manual 2001 2005
- 8. Staying Engaged with Porsche 996 Turbo Service Manual 2001 2005
  - Joining Online Reading Communities
  - Participating in Virtual Book Clubs
  - Following Authors and Publishers Porsche 996 Turbo Service Manual 2001 2005
- 9. Balancing eBooks and Physical Books Porsche 996 Turbo Service Manual 2001 2005
  - Benefits of a Digital Library
  - Creating a Diverse Reading Collection Porsche 996 Turbo Service Manual 2001 2005
- 10. Overcoming Reading Challenges
  - Dealing with Digital Eye Strain
  - Minimizing Distractions
  - Managing Screen Time
- 11. Cultivating a Reading Routine Porsche 996 Turbo Service Manual 2001 2005
  - Setting Reading Goals Porsche 996 Turbo Service Manual 2001 2005
  - Carving Out Dedicated Reading Time
- 12. Sourcing Reliable Information of Porsche 996 Turbo Service Manual 2001 2005
  - Fact-Checking eBook Content of Porsche 996 Turbo Service Manual 2001 2005

- Distinguishing Credible Sources
13. Promoting Lifelong Learning
- Utilizing eBooks for Skill Development
  - Exploring Educational eBooks
14. Embracing eBook Trends
- Integration of Multimedia Elements
  - Interactive and Gamified eBooks

### **Porsche 996 Turbo Service Manual 2001 2005 Introduction**

Porsche 996 Turbo Service Manual 2001 2005 Offers over 60,000 free eBooks, including many classics that are in the public domain. Open Library: Provides access to over 1 million free eBooks, including classic literature and contemporary works. Porsche 996 Turbo Service Manual 2001 2005 Offers a vast collection of books, some of which are available for free as PDF downloads, particularly older books in the public domain. Porsche 996 Turbo Service Manual 2001 2005 : This website hosts a vast collection of scientific articles, books, and textbooks. While it operates in a legal gray area due to copyright issues, its a popular resource for finding various publications. Internet Archive for Porsche 996 Turbo Service Manual 2001 2005 : Has an extensive collection of digital content, including books, articles, videos, and more. It has a massive library of free downloadable books. Free-eBooks Porsche 996 Turbo Service Manual 2001 2005 Offers a diverse range of free eBooks across various genres. Porsche 996 Turbo Service Manual 2001 2005 Focuses mainly on educational books, textbooks, and business books. It offers free PDF downloads for educational purposes. Porsche 996 Turbo Service Manual 2001 2005 Provides a large selection of free eBooks in different genres, which are available for download in various formats, including PDF. Finding specific Porsche 996 Turbo Service Manual 2001 2005, especially related to Porsche 996 Turbo Service Manual 2001 2005, might be challenging as theyre often artistic creations rather than practical blueprints. However, you can explore the following steps to search for or create your own Online Searches: Look for websites, forums, or blogs dedicated to Porsche 996 Turbo Service Manual 2001 2005, Sometimes enthusiasts share their designs or concepts in PDF format. Books and Magazines Some Porsche 996 Turbo Service Manual 2001 2005 books or magazines might include. Look for these in online stores or libraries. Remember that while Porsche 996 Turbo Service Manual 2001 2005, sharing copyrighted material without permission is not legal. Always ensure youre either creating your own or obtaining them from legitimate sources that allow sharing and downloading. Library Check if your local library offers eBook lending services. Many libraries have digital catalogs where you can borrow Porsche 996 Turbo Service Manual 2001 2005 eBooks for free, including popular titles. Online Retailers: Websites like Amazon, Google Books, or Apple Books often sell eBooks. Sometimes, authors or publishers offer

promotions or free periods for certain books. Authors Website Occasionally, authors provide excerpts or short stories for free on their websites. While this might not be the Porsche 996 Turbo Service Manual 2001 2005 full book, it can give you a taste of the authors writing style. Subscription Services Platforms like Kindle Unlimited or Scribd offer subscription-based access to a wide range of Porsche 996 Turbo Service Manual 2001 2005 eBooks, including some popular titles.

### **FAQs About Porsche 996 Turbo Service Manual 2001 2005 Books**

How do I know which eBook platform is the best for me? Finding the best eBook platform depends on your reading preferences and device compatibility. Research different platforms, read user reviews, and explore their features before making a choice. Are free eBooks of good quality? Yes, many reputable platforms offer high-quality free eBooks, including classics and public domain works. However, make sure to verify the source to ensure the eBook credibility. Can I read eBooks without an eReader? Absolutely! Most eBook platforms offer web-based readers or mobile apps that allow you to read eBooks on your computer, tablet, or smartphone. How do I avoid digital eye strain while reading eBooks? To prevent digital eye strain, take regular breaks, adjust the font size and background color, and ensure proper lighting while reading eBooks. What the advantage of interactive eBooks? Interactive eBooks incorporate multimedia elements, quizzes, and activities, enhancing the reader engagement and providing a more immersive learning experience. Porsche 996 Turbo Service Manual 2001 2005 is one of the best book in our library for free trial. We provide copy of Porsche 996 Turbo Service Manual 2001 2005 in digital format, so the resources that you find are reliable. There are also many Ebooks of related with Porsche 996 Turbo Service Manual 2001 2005. Where to download Porsche 996 Turbo Service Manual 2001 2005 online for free? Are you looking for Porsche 996 Turbo Service Manual 2001 2005 PDF? This is definitely going to save you time and cash in something you should think about.

### **Find Porsche 996 Turbo Service Manual 2001 2005 :**

[seduction a novel of suspense reincarnationist series](#)

[section 9 1 continental drift guided reading answers](#)

[seed of the tentacle alien monster impregnationenglish edition](#)

[section 32 birds answers](#)

[sefi sotho memo paper 2](#)

[\*\*seeing christ in 1 samuel god has spoken\*\*](#)

[selco baler manual](#)

**security in computing 2nd edition by pfleeger**

*sector and arc length crossword*

*seiko slp 650 printers owners manual*

[sectors of circles in the real world](#)

~~section 35 4 the senses answer key~~

*seducing the boss city girl series english edition*

[segment 2 2015 test driving](#)

[section guided inflation answers](#)

### **Porsche 996 Turbo Service Manual 2001 2005 :**

Ford Windstar (1999-2003) fuses and relays The fuse panel is located to the left under the instrument panel. The location of the fuses in the passenger compartment: Ford Windstar (1999-2003 ... 2000 Ford Windstar fuse box diagram 2000 Ford Windstar fuse box diagram. The 2000 Ford Windstar has 2 different fuse boxes: Passenger compartment fuse panel diagram. Ford Windstar fuse box diagrams for all years Ford Windstar fuse box and relays diagrams. Explore interactive fuse box and relay diagrams for the Ford Windstar. Fuse boxes change across years, ... Fuse box location and diagrams: Ford Windstar (1999-2003) 2000 Ford Windstar Fuse Box Diagram Joseph Vieira Sr. Ford Windstar 2000 Fuse Box/Block Circuit Breaker Diagram Oct 23, 2023 — Ford Windstar 2000 Fuse Box/Block Circuit Breaker Diagram ; 3, 10A, A/C Clutch ; 4, 25A, Horn ; 5, 15A, Fuel Pump ; 6, 30A, Front Wiper/washer. Ford Windstar (1998 - 2003) - fuse box diagram Jul 6, 2018 — Ford Windstar (1998 - 2003) - fuse box diagram. Year of production: 1998, 1999, 2000, 2001, 2002, 2003. Passenger Compartment Fuse Panel. Fuses And Relays - Ford Windstar Owner's Manual Ford Windstar Manual Online: Fuses And Relays. Fuses If electrical components in the vehicle are not working, a fuse may have blown. I desperately need a fuse panel diagram for a 2001 Ford ... Dec 5, 2009 — Hi, below are the diagrams for the battery junction box under the hood and the central junction box under the drivers side dash, thanks. Mastering Ninject for Dependency Injection - Amazon Mastering Ninject for Dependency Injection - Amazon Mastering Ninject for Dependency Injection Mastering Ninject for Dependency Injection starts by introducing you to dependency injection and what it's meant for with the help of sufficient examples. Mastering Ninject for Dependency Injection [Book] For .NET developers and architects, this is the ultimate guide to the principles of Dependency Injection and how to use the automating features of Ninject ... Mastering Ninject for Dependency Injection Sep 25, 2013 — Mastering Ninject for Dependency Injection teaches you the most powerful concepts of Ninject in a simple and easy-to-understand format using ... Mastering Ninject for Dependency Injection - Libby Mastering Ninject for Dependency Injection



teaches you the most powerful concepts of Ninject in a simple and easy-to-understand format using lots of ... Mastering Ninject for Dependency Injection (Paperback) Mastering Ninject for Dependency Injection teaches you the most powerful concepts of Ninject in a simple and easy-to-understand format using lots of practical ... Mastering Ninject for Dependency Injection: | Guide books Sep 25, 2013 — Learn how Ninject facilitates the implementation of dependency injection to solve common design problems of real-life applications Overview ... Mastering Ninject for Dependency Injection Mastering Ninject for Dependency Injection starts by introducing you to dependency injection and what its meant for with the help of sufficient examples. Mastering Ninject for Dependency Injection Dependency injection is an approach to creating loosely coupled applications. Maintainability, testability, and extensibility are just a few advantages. Mastering Ninject for Dependency Injection Mastering Ninject for Dependency Injection starts by introducing you to dependency injection and what it's meant for with the help of sufficient examples. Macroeconomics 6th edition abel bernanke croushore macroeconomics 6th edition abel bernanke croushore Test BankSolution Manual For from MANAGEMENT mgt 6123 at Government Degree College, Usta Mohammad. Macroeconomics-abel-bernanke-solutions-manual-6th- ... Now you can download Macroeconomics abel bernanke solutions manual 6th editionfrom our site very quick, for our searching system is very powerful and effective. Solution manual to Macroeconomics 6e Andrew B. Abel ... Principles,Algorithms,and Applications 3rd ed by John G. Proakis,Dimitris G. Manolakis. Solution manual to Econometrics of Financial Market(Compell;Lo and Ben S Bernanke Solutions Books by Ben S Bernanke with Solutions ; Macroeconomics 6th Edition 0 Problems solved, Andrew B. Abel, Ben S. Bernanke, Dean Croushore ; Macroeconomics 6th ... 375795770 1abel a b Bernanke b s Croushore d ... Introductory Econometrics A Modern Approach 6th Edition Wooldridge Solutions Manual ... Solutions manual for international economics theory and policy 10th ... Macroeconomics 10th Edition Abel Solution Manual for Solution Manual for Macroeconomics 10th Edition Abel - Free download as PDF File (.pdf), Text File (.txt) or read online for free. Macroeconomics: Abel, Andrew B., Bernanke, Ben ... Abel, Bernanke, and Croushore present macroeconomic theory in a way that prepares readers to analyze real macroeconomic data used by policy makers and ... Solution Manual for Principles of Macroeconomics 6th Edition Solution Manual for Principles of Macroeconomics 6th Edition. Frank Bernanke Antonovics Heffetz 0073518999 978007351899. Full link download: Test Bank: [https:// ...](https://...) Macroeconomics 9th Edition Abel Solutions Manual May 12, 2018 — Full file at <https://testbankuniv.eu/Macroeconomics-9th-Edition-Abel-Solutions-Manual>. Chapter 2 The Measurement and Structure of the ... Macroeconomics 10th Edition Textbook Solutions Textbook solutions for Macroeconomics 10th Edition ABEL and others in this series. View step-by-step homework solutions for your homework.