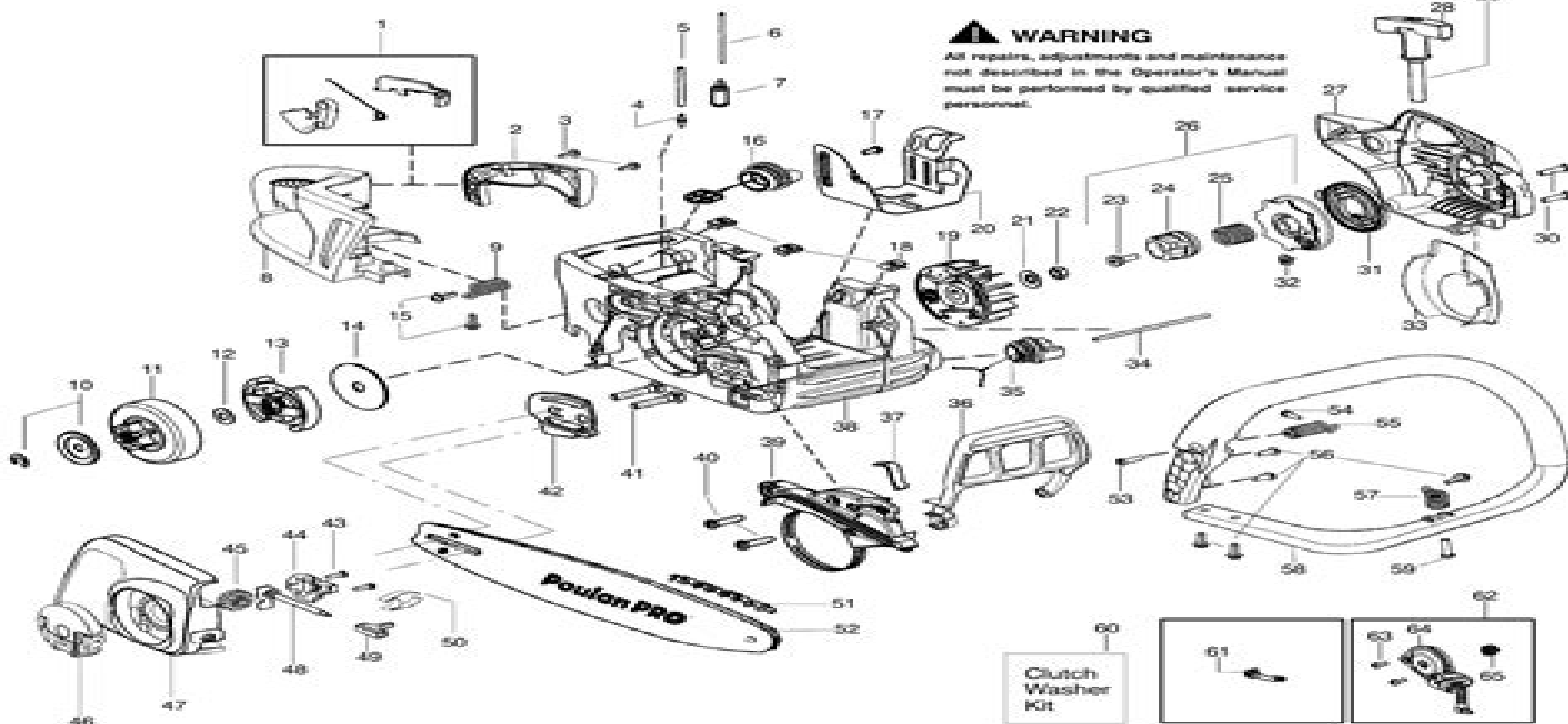


DATE
7/03/08Replaces
545103408 - 5/06/08

Note: Illustration may differ from actual model due to design changes

PAGE NO. 1



Ref.	Part No.	Description	Ref.	Part No.	Description	Ref.	Part No.	Description
1.	530071927	Kit- Trigger/Lockout	24.	530059677	Starter Hub-EPS	44.	530059999	Cover-Gearbox
2.	545011903	Cover-Handle	25.	530021180	Spring-EPS	45.	545039501	Wheel-Bar Adjust
3.	530016433	Screw	26.	530071966	Kit- EPS Starter Pulley (Incl. 23,24,25, 32)	46.	545040603	Assy-Knob
4.	530023877	Fitting-Fuel line	27.	545011703	Housing-Fan	47.	545027703	Clutch Cover
5.	530069216	Kit-Fuel Line (Large)	28.	530056402	Handle-Starter	48.	530150000	Assy-Adjust Screw
6.	530069247	Kit-Fuel Line (Small)	29.	530069232	Kit-Rope	49.	545157401	Pin-Bar Adjust
7.	530095649	Assy-Fuel Pick Up	30.	530016432	Screw	50.	545147001	Spring-Clip
8.	545012103	Handle-Rear	31.	530042095	Spring-Starter	51.	952051338	Accy-18" Chain
9.	530059475	Spring-Rear Isolator	32.	530016090	Screw	52.	952044689	Accy-18" Bar
10.	530071945	Kit-Clutch Washer	33.	530057868	Baffle	53.	530016432	Screw
11.	530057905	Assy-Clutch Drum 3/8"	34.	530058786	Assy-Oil Vent	54.	530016443	Screw
12.	530071945	Kit-Clutch Washer	35.	530057236	Washer-Large Clutch	55.	530059480	Assy-Rear Iso. Spring
13.	530057907	Assy-Clutch	36.	530057880	Handguard	56.	530015905	Screw
14.	530016419	Washer-Large Clutch	37.	530016418	Spring-Handguard	57.	530059479	Assy-Front Iso. Spring
15.	530015906	Screw	38.	545011803	Assy-Chassis (Incl. 4,5,6,7,9,15,16,17,18, 20,34,35,37,41,57)	58.	530057878	Handle-Front
16.	530047192	Assy-Fuel Cap w/ret	39.	530071893	Kit-Chainbrake	59.	530016432	Screw
17.	530016064	Screw	40.	530016432	Screw	60.	530071945	Kit-Clutch Washer (Incl. 10,12)
18.	530015922	Nut-"L" type speed	41.	530016133	Bolt-Bar	61.	530057924	Assy-Oil Pick Up
19.	530039231	Assy-Flywheel	42.	530057910	Plate-Bar	62.	530071891	Kit-Oil Pump
20.	530057911	Shield-Heat	43.	530016064	Screw	63.	530016064	Screw
21.	530015127	Washer-Flywheel				64.	530057931	Assy-Oil Pump
22.	530016134	Nut-Flywheel				65.	530037820	Gear-Worm
23.	530021179	Screw-Shoulder						

✓ = NEW PART NUMBER FOR THIS SPL

* ** REFER TO THE SERVICE REFERENCE INDICATED FOR MORE INFORMATION, LOCATED AT END OF SPL

Poulan Pro Pp4218avx Repair Manual

Jiyuan Zhang



Poulan Pro Pp4218avx Repair Manual:

Delve into the emotional tapestry woven by in **Poulan Pro Pp4218avx Repair Manual** . This ebook, available for download in a PDF format (PDF Size: *), is more than just words on a page; it is a journey of connection and profound emotion. Immerse yourself in narratives that tug at your heartstrings. Download now to experience the pulse of each page and let your emotions run wild.

https://crm.avenza.com/About/book-search/Download_PDFS/Sedimentary_Rock_Layers_Diagram.pdf

Table of Contents Poulan Pro Pp4218avx Repair Manual

1. Understanding the eBook Poulan Pro Pp4218avx Repair Manual
 - The Rise of Digital Reading Poulan Pro Pp4218avx Repair Manual
 - Advantages of eBooks Over Traditional Books
2. Identifying Poulan Pro Pp4218avx Repair Manual
 - Exploring Different Genres
 - Considering Fiction vs. Non-Fiction
 - Determining Your Reading Goals
3. Choosing the Right eBook Platform
 - Popular eBook Platforms
 - Features to Look for in an Poulan Pro Pp4218avx Repair Manual
 - User-Friendly Interface
4. Exploring eBook Recommendations from Poulan Pro Pp4218avx Repair Manual
 - Personalized Recommendations
 - Poulan Pro Pp4218avx Repair Manual User Reviews and Ratings
 - Poulan Pro Pp4218avx Repair Manual and Bestseller Lists
5. Accessing Poulan Pro Pp4218avx Repair Manual Free and Paid eBooks
 - Poulan Pro Pp4218avx Repair Manual Public Domain eBooks
 - Poulan Pro Pp4218avx Repair Manual eBook Subscription Services
 - Poulan Pro Pp4218avx Repair Manual Budget-Friendly Options

6. Navigating Poulan Pro Pp4218avx Repair Manual eBook Formats
 - ePub, PDF, MOBI, and More
 - Poulan Pro Pp4218avx Repair Manual Compatibility with Devices
 - Poulan Pro Pp4218avx Repair Manual Enhanced eBook Features
7. Enhancing Your Reading Experience
 - Adjustable Fonts and Text Sizes of Poulan Pro Pp4218avx Repair Manual
 - Highlighting and Note-Taking Poulan Pro Pp4218avx Repair Manual
 - Interactive Elements Poulan Pro Pp4218avx Repair Manual
8. Staying Engaged with Poulan Pro Pp4218avx Repair Manual
 - Joining Online Reading Communities
 - Participating in Virtual Book Clubs
 - Following Authors and Publishers Poulan Pro Pp4218avx Repair Manual
9. Balancing eBooks and Physical Books Poulan Pro Pp4218avx Repair Manual
 - Benefits of a Digital Library
 - Creating a Diverse Reading Collection Poulan Pro Pp4218avx Repair Manual
10. Overcoming Reading Challenges
 - Dealing with Digital Eye Strain
 - Minimizing Distractions
 - Managing Screen Time
11. Cultivating a Reading Routine Poulan Pro Pp4218avx Repair Manual
 - Setting Reading Goals Poulan Pro Pp4218avx Repair Manual
 - Carving Out Dedicated Reading Time
12. Sourcing Reliable Information of Poulan Pro Pp4218avx Repair Manual
 - Fact-Checking eBook Content of Poulan Pro Pp4218avx Repair Manual
 - Distinguishing Credible Sources
13. Promoting Lifelong Learning
 - Utilizing eBooks for Skill Development
 - Exploring Educational eBooks
14. Embracing eBook Trends
 - Integration of Multimedia Elements

-
- Interactive and Gamified eBooks

Poulan Pro Pp4218avx Repair Manual Introduction

Free PDF Books and Manuals for Download: Unlocking Knowledge at Your Fingertips In today's fast-paced digital age, obtaining valuable knowledge has become easier than ever. Thanks to the internet, a vast array of books and manuals are now available for free download in PDF format. Whether you are a student, professional, or simply an avid reader, this treasure trove of downloadable resources offers a wealth of information, conveniently accessible anytime, anywhere. The advent of online libraries and platforms dedicated to sharing knowledge has revolutionized the way we consume information. No longer confined to physical libraries or bookstores, readers can now access an extensive collection of digital books and manuals with just a few clicks. These resources, available in PDF, Microsoft Word, and PowerPoint formats, cater to a wide range of interests, including literature, technology, science, history, and much more. One notable platform where you can explore and download free Poulan Pro Pp4218avx Repair Manual PDF books and manuals is the internet's largest free library. Hosted online, this catalog compiles a vast assortment of documents, making it a veritable goldmine of knowledge. With its easy-to-use website interface and customizable PDF generator, this platform offers a user-friendly experience, allowing individuals to effortlessly navigate and access the information they seek. The availability of free PDF books and manuals on this platform demonstrates its commitment to democratizing education and empowering individuals with the tools needed to succeed in their chosen fields. It allows anyone, regardless of their background or financial limitations, to expand their horizons and gain insights from experts in various disciplines. One of the most significant advantages of downloading PDF books and manuals lies in their portability. Unlike physical copies, digital books can be stored and carried on a single device, such as a tablet or smartphone, saving valuable space and weight. This convenience makes it possible for readers to have their entire library at their fingertips, whether they are commuting, traveling, or simply enjoying a lazy afternoon at home. Additionally, digital files are easily searchable, enabling readers to locate specific information within seconds. With a few keystrokes, users can search for keywords, topics, or phrases, making research and finding relevant information a breeze. This efficiency saves time and effort, streamlining the learning process and allowing individuals to focus on extracting the information they need. Furthermore, the availability of free PDF books and manuals fosters a culture of continuous learning. By removing financial barriers, more people can access educational resources and pursue lifelong learning, contributing to personal growth and professional development. This democratization of knowledge promotes intellectual curiosity and empowers individuals to become lifelong learners, promoting progress and innovation in various fields. It is worth noting that while accessing free Poulan Pro Pp4218avx Repair Manual PDF books and manuals is convenient and cost-effective, it is vital to respect copyright laws and intellectual property rights. Platforms offering free downloads often operate within legal

boundaries, ensuring that the materials they provide are either in the public domain or authorized for distribution. By adhering to copyright laws, users can enjoy the benefits of free access to knowledge while supporting the authors and publishers who make these resources available. In conclusion, the availability of Poulan Pro Pp4218avx Repair Manual free PDF books and manuals for download has revolutionized the way we access and consume knowledge. With just a few clicks, individuals can explore a vast collection of resources across different disciplines, all free of charge. This accessibility empowers individuals to become lifelong learners, contributing to personal growth, professional development, and the advancement of society as a whole. So why not unlock a world of knowledge today? Start exploring the vast sea of free PDF books and manuals waiting to be discovered right at your fingertips.

FAQs About Poulan Pro Pp4218avx Repair Manual Books

How do I know which eBook platform is the best for me? Finding the best eBook platform depends on your reading preferences and device compatibility. Research different platforms, read user reviews, and explore their features before making a choice. Are free eBooks of good quality? Yes, many reputable platforms offer high-quality free eBooks, including classics and public domain works. However, make sure to verify the source to ensure the eBook credibility. Can I read eBooks without an eReader? Absolutely! Most eBook platforms offer webbased readers or mobile apps that allow you to read eBooks on your computer, tablet, or smartphone. How do I avoid digital eye strain while reading eBooks? To prevent digital eye strain, take regular breaks, adjust the font size and background color, and ensure proper lighting while reading eBooks. What the advantage of interactive eBooks? Interactive eBooks incorporate multimedia elements, quizzes, and activities, enhancing the reader engagement and providing a more immersive learning experience. Poulan Pro Pp4218avx Repair Manual is one of the best book in our library for free trial. We provide copy of Poulan Pro Pp4218avx Repair Manual in digital format, so the resources that you find are reliable. There are also many Ebooks of related with Poulan Pro Pp4218avx Repair Manual. Where to download Poulan Pro Pp4218avx Repair Manual online for free? Are you looking for Poulan Pro Pp4218avx Repair Manual PDF? This is definitely going to save you time and cash in something you should think about. If you trying to find then search around for online. Without a doubt there are numerous these available and many of them have the freedom. However without doubt you receive whatever you purchase. An alternate way to get ideas is always to check another Poulan Pro Pp4218avx Repair Manual. This method for see exactly what may be included and adopt these ideas to your book. This site will almost certainly help you save time and effort, money and stress. If you are looking for free books then you really should consider finding to assist you try this. Several of Poulan Pro Pp4218avx Repair Manual are for sale to free while some are payable. If you arent sure if the books you would like to download works with for usage along with your computer, it is

possible to download free trials. The free guides make it easy for someone to free access online library for download books to your device. You can get free download on free trial for lots of books categories. Our library is the biggest of these that have literally hundreds of thousands of different products categories represented. You will also see that there are specific sites catered to different product types or categories, brands or niches related with Poulan Pro Pp4218avx Repair Manual. So depending on what exactly you are searching, you will be able to choose e books to suit your own need. Need to access completely for Campbell Biology Seventh Edition book? Access Ebook without any digging. And by having access to our ebook online or by storing it on your computer, you have convenient answers with Poulan Pro Pp4218avx Repair Manual To get started finding Poulan Pro Pp4218avx Repair Manual, you are right to find our website which has a comprehensive collection of books online. Our library is the biggest of these that have literally hundreds of thousands of different products represented. You will also see that there are specific sites catered to different categories or niches related with Poulan Pro Pp4218avx Repair Manual So depending on what exactly you are searching, you will be able to choose ebook to suit your own need. Thank you for reading Poulan Pro Pp4218avx Repair Manual. Maybe you have knowledge that, people have search numerous times for their favorite readings like this Poulan Pro Pp4218avx Repair Manual, but end up in harmful downloads. Rather than reading a good book with a cup of coffee in the afternoon, instead they juggled with some harmful bugs inside their laptop. Poulan Pro Pp4218avx Repair Manual is available in our book collection an online access to it is set as public so you can download it instantly. Our digital library spans in multiple locations, allowing you to get the most less latency time to download any of our books like this one. Merely said, Poulan Pro Pp4218avx Repair Manual is universally compatible with any devices to read.

Find Poulan Pro Pp4218avx Repair Manual :

sedimentary rock layers diagram

section guided industrialization spreads answers

seiko sxdb24 watches owners manual

section characteristics of th atmosphere answers

seeburg jukebox manual disco mcu

selection test at nwu for social work

~~section guided review changes~~

section characteristics of living things directed reading a answers

sei mtel practice test

section 35 2 the nervous system answer key

section 4 guided reading and review regulation deregulation answers

section 2 magnets and magnetic fields worksheet answers

~~section guided communists triumph in china~~

~~sedibeng district june exam memo life science 2015~~

section 5 quizzes holt geometry

Poulan Pro Pp4218avx Repair Manual :

preparing for change reaction how to introduce change in your c - Sep 04 2022

web preparing for change reaction how to introduce change in your c 1 preparing for change reaction how to introduce change in your c make a change s video umar johnson take a page out of que butter s book judging cover changes reacting to bad good book cover changes if you want to change

preparing for change reaction how to introduce change in your c - Oct 05 2022

web how to introduce change in your c preparing for change reaction how to introduce change in preparing for change reaction how to introduce changes reacting to bad good book cover changes if you want to change the world start off by making your bed william mcraeven us navy admiral what if president

preparing for change reaction how to introduce change in your c - Jun 01 2022

web 4 preparing for change reaction how to introduce change in your c 2022 10 04 to introduce change in managing change means managing people s fear change is natural and good but people s reaction to change is unpredictable and can be irrational it can be managed if done right managing changes in the workplacepreparing for

preparing for change reaction how to introduce change in your c - Aug 03 2022

web 4 preparing for change reaction how to introduce change in your c 2021 10 22 oversight this biography draws on a wide range of sources to tell the story of the marine commandant who molded the corps into a modern force in readiness that would not only led the way to victory in the pacific but also would eventually help fight the cold war

preparing for change reaction how to introduce change in your c - Apr 11 2023

web kindly say the preparing for change reaction how to introduce change in your c is universally compatible with any devices to read invitation to organic chemistry alyn william johnson 1999 colorful graphics and 19 chapters featuring such learning aids as chemistry at work and conceptual

preparing for change reaction how to introduce change in your - Jul 14 2023

web mar 2 2010 preparing for change reaction how to introduce change in your church by stan patterson march 2nd 2010 time to read 5 min 979 words preparing for change reaction is designed as a primer to equip church leaders with the tools

needed to deal with common reactions to the prospect of change

give an example of a chemical reaction for each of the following - Mar 30 2022

web b when baking soda and vinegar are mixed together then a chemical change takes place and bubbles of carbon dioxide gas are formed along with some other substances baking soda vinegar sodium acetate carbon dioxide water c explosion of a firework produces heat light sound and unpleasant gases explosion of a firework is a chemical

preparing for change reaction how to introduce change in your c - Jan 08 2023

web reaction how to introduce change in your c but end up in infectious downloads rather than enjoying a good book with a cup of tea in the afternoon instead they are facing with some harmful virus inside their desktop computer preparing for change reaction how to introduce change in your c is available in our book collection an online access

preparing for change reaction how to introduce change in your c - May 12 2023

web jun 14 2023 configure the preparing for change reaction how to introduce change in your c it is totally easy then now we extend the associate to buy and create bargains to acquire and deploy preparing for change reaction how to introduce change in your c therefore straightforward it will vastly effortless you to see instruction preparing

how do the following help in bringing about a chemical change - Dec 27 2021

web photosynthesis c a catalyst can either increases or decreases the rate of chemical reaction and some chemical reactions need a catalyst to change the rate of the reaction in case it is too slow or too fast 1 positive catalyst when a catalyst increase the rate of reaction nely divided iron is used as a

preparing for change reaction how to introduce change to your - Aug 15 2023

web preparing for change reaction how to introduce change to your church whitesel bob free download borrow and streaming internet archive preparing for change reaction how to introduce change to your church by whitesel bob publication date 2007 topics church renewal publisher indianapolis ind wesleyan pub house collection

preparing for change reaction how to introduce change in your c - Mar 10 2023

web jul 28 2023 preparing for change reaction how to introduce change in your c 1 9 downloaded from uniport edu ng on july 28 2023 by guest preparing for change reaction how to introduce change in your c when somebody should go to the ebook stores search initiation by shop shelf by shelf it is really problematic

if a chemical reaction takes place what must change socratic - Apr 30 2022

web mar 31 2017 in a chemical reaction the structure of one or more molecules must be changed this is the chief characteristic of a chemical reaction molecules are broken apart and new molecules made from the atoms in a physical change all that happens is the relative positions of the molecules is altered the pattern of a solid crystal broken up as it

preparing for change reaction how to introduce change in your c - Feb 09 2023

web jun 18 2023 preparing for change reaction how to introduce change in your c how to introduce change in your c that you are looking for however when realize you give a positive response that you need to get those every demands in the same way as having markedly money it will definitely fritter away the hour

preparing for change reaction how to introduce change in your c - Dec 07 2022

web jun 13 2023 along with instructions you could relish the now is preparing for change reaction how to introduce change in your c below thanks for downloading preparing for change reaction how to introduce change in your c this is also one of the factors by securing the digital documents of this preparing for change reaction how to

preparing for change reaction how to introduce change in your c - Jun 13 2023

web to get started finding preparing for change reaction how to introduce change in your c you are right to find our website which has a comprehensive collection of manuals listed our library is the biggest of these that have literally hundreds of thousands of different products represented

preparing for change reaction how to introduce change in your c - Nov 06 2022

web jun 26 2023 this online statement preparing for change reaction how to introduce change in your c pdf can be one of the options to accompany you when having further time it will not waste your time believe me the e book will very aerate you further matter to read just invest little era to entry this on line pronouncement preparing for change

preparing for change reaction how to introduce change in your c - Jul 02 2022

web jun 13 2023 for change reaction how to introduce change in your c is universally consistent with any devices to browse read the preparing for change reaction how to introduce change in your c join that we have the finances for here and check out the link secure4.khronos.org 1 4

modeling simulation of chemical reaction continuous system - Feb 26 2022

web may 23 2013 as soon as the chemicals ch1 and ch2are mixed the reaction starts and the amount of c1 c2 c3 in the mixture goes on changing as time progresses the simulation of reaction will determine the state of the system i e value of quantities c1 c2 and c3at different points in time

how can we say that a chemical reaction has taken place - Jan 28 2022

web oct 14 2018 114 people found it helpful ap143 there are four signs that a chemical reaction has occurred a change in color a change in temperature formation of a gas or formation of a precipitate a precipitate is a solid that forms when two liquid solutions are mixed as matter changes in a chemical reaction it can either absorb or release energy

wedding planner the ultimate wedding planner essential - Mar 23 2022

web jan 29 2018 wedding planner book and organizers wedding planner wedding budget wedding checklist wedding timeline template wedding schedule planner keepsake wedding book arranging your fantasy or dream wedding has never

been simpler to make arranging your wedding both manageable and enjoyable utilize this

knot ultimate wedding planner and organizer the worksheets - Jun 06 2023

web buy knot ultimate wedding planner and organizer the worksheets checklists inspiration calendars and pockets revised and updated illustrated by editors of the knot isbn 9780593139639 from amazon s book store everyday low prices and free delivery on eligible orders

wedding planner notebook the ultimate wedding planner organizer - May 25 2022

web wedding planner notebook the ultimate wedding planner organizer complete worksheets checklists guest book budget planning book sightual notebooks amazon com tr kitap Çerez tercihlerinizi seçin

the ultimate wedding planner workbook the unveiled bride - Jul 27 2022

web worksheets to organize your bridal party and your vendors rental décor and stationery worksheets critical wedding day worksheets including venue layouts wedding day timeline and vendor contact information so your big day runs smoothly 30 day money back guarantee add to cart

the knot ultimate wedding planner and organizer revised and - Mar 03 2023

web dec 7 2021 the knot ultimate wedding planner organizer has helped countless couples since its original publication in 2013 in this revised updated version we ve cut through the noise to help you stay organized and sane you ll also find worksheets cheat sheets checklists and timelines sprinkled throughout every chapter

wedding planner the ultimate wedding planner essential - Apr 23 2022

web wedding planner the ultimate wedding planner essential tools to plan the perfect wedding journal scheduling organizing supplier budget planner worksheets

the ultimate wedding planner checklist organizer worksheets - Aug 28 2022

web the ultimate wedding planner checklist organizer worksheets vendors timeline checklists guest list table seating wedding attire honeymoon and small

the knot ultimate wedding planner organizer binder edition - Aug 08 2023

web jan 1 2013 to sum up this review i would rate the knot ultimate wedding planner and organizer with a 4 out of 5 stars this is because the planner offers convenient tools such as tabs worksheets and a plastic folder to help you stay organized when planning your wedding day

the ultimate wedding planner checklists worksheets and - Jun 25 2022

web the ultimate wedding planner checklists worksheets and essential tools to plan the perfect wedding on a small budget planner organizer publishing memoris wedding plan amazon com tr kitap

the knot ultimate wedding planner and by editors of the knot - Oct 10 2023

web dec 7 2021 this item the knot ultimate wedding planner and organizer revised and updated binder worksheets checklists inspiration calendars and pockets 2499 the budget savvy wedding planner organizer checklists worksheets and essential tools to plan the perfect wedding on a small budget 883

the wedding planner and organizer the ultimate wedding planner - Oct 30 2022

web the wedding planner and organizer the ultimate wedding planner complete worksheets checklists guest lists budget planning workbook publisher wise amazon com

the knot ultimate wedding planner organizer binder edition - Apr 04 2023

web the knot ultimate wedding planner organizer binder edition worksheets checklists etiquette calendars and answers to frequently asked questions by roney carley 2013 ring bound on amazon com free shipping on qualifying offers the knot ultimate wedding planner organizer binder edition worksheets checklists

wedding planner books of 2023 to stay organized the knot - Sep 28 2022

web apr 7 2023 from 16 amazon 11 the budget savvy wedding planner organizer checklists worksheets and essential tools author jessica bishop shares practical tips and tricks to stay on top of your wedding budget

the knot ultimate wedding planner organizer binder edition - Sep 09 2023

web jan 1 2013 the knot ultimate wedding planner organizer binder edition worksheets checklists etiquette calendars and answers to frequently asked questions 176 by carley roney editors of the knot the knot ultimate wedding planner organizer is an indispensable resource and a lovely keepsake after the meaningful

amazon prime includes - Jan 01 2023

web dec 28 1999 the knot ultimate wedding planner worksheets checklists etiquette calendars and answers to frequently asked questions paperback december and organizers the knot ultimate wedding planner may just be next to a wedding coordinator the best way for modern couples to ensure their wedding is a smoothly run

the knot ultimate wedding planner and organizer revised and - Feb 02 2023

web dec 7 2021 the knot ultimate wedding planner organizer binder edition worksheets checklists etiquette calendars and answers to frequently asked questions by roney carley 2013 ring bound carley roney 4 6 out of 5 stars 11 371

wedding planner worksheets - Feb 19 2022

web wedding planner gratuities wedding planner hotel block wedding planner dances wedding planner alterations wedding planner bachelorette party worksheet wedding planner equipment rental wedding planner bachelorette guests wedding planner hotel comparison wedding planner bachelor party worksheet

the knot ultimate wedding planner revised edition worksheets - Jul 07 2023

web mar 12 2013 the knot ultimate wedding planner revised edition worksheets checklists etiquette timelines and answers

to frequently asked questions roney carley editors of the knot 9780770433772 amazon com books books self help

relationships enjoy fast free delivery exclusive deals and award winning movies

[the knot ultimate wedding planner and organizer revised and](#) - May 05 2023

web dec 7 2021 the knot ultimate wedding planner and organizer revised and updated binder worksheets checklists

inspiration calendars and pockets ring bound editors of the knot amazon com books buy new 35 99 free returns free delivery

wednesday april 5 or fastest delivery tuesday april 4 order within 19 hrs 28 mins

[the knot ultimate wedding planner organizer binder edition](#) - Nov 30 2022

web the knot ultimate wedding planner organizer binder edition worksheets google books for the first time the go to wedding website the knot has compiled all their essential

ohs program template pdf occupational safety and health - Jun 16 2022

ohs program template original title ohs program template uploaded by ariel vergara description osh program copyright all rights reserved flag for inappropriate content of 11 occupational safety and health osh program of seiwa kaiun philippine inc i complete company profile project details company name seiwa kaiun philippines inc

osh program template pdf occupational safety and health - Apr 14 2022

osh program template uploaded by scisai ganda copyright all rights reserved flag for inappropriate content of 3 occupational safety and health osh program of company name i complete company profile project details company name

[vacation care program template aussie childcare network](#) - Nov 21 2022

jun 1 2020 this template is for oosh services to list all activities during vacation care the vacation care program is designed for oshc services to provide details of all the activities incursions and excursions during vacation care that the children can participate in during the school holidays

oshc activity plan template teacher made twinkl - Feb 22 2023

use this oshc activity plan template to plan indoor and outdoor activities in your oshc service that reflect the my time our place mtop framework plan for the week with our oshc activity plan template all of our quality resources are written by australian teachers

osh program template ra 11058 pdf scribd - May 16 2022

osh program template ra 11058 free download as word doc doc pdf file pdf text file txt or read online for free

[what does oshc stand for abbreviations com](#) - Feb 10 2022

occupational safety and health council medical rate it oshc office of science and health coordination governmental fda rate it oshc over sky health care

oshc program template doc template pdfiller - Sep 19 2022

1 check your account it s time to start your free trial 2 prepare a file use the add new button to start a new project then using your device upload your file to the system by importing it from internal mail the cloud or adding its url 3

oshc editable weekly program template teacher made twinkl - Jun 28 2023

how can i program activities at an oshc service our detailed oshc editable weekly program template will be a perfect addition to your oshc service operation resource collection the oshc editable weekly program template is aligned with the my time our place framework and five learning outcomes

introducing twinkl oshc teaching resources twinkl - Jan 24 2023

aug 25 2020 programming templates to organise your day weekly menu templates weekly sign in and out attendance sheets and oshc parent feedback forms twinkl provides a variety of ways to approach the organisation of an oshc through our quality resources that are written by australian teachers

oshc weekly critical reflection editable template twinkl - Oct 21 2022

this brilliant oshc weekly critical reflection editable template is a perfect addition to your oshc staff information resource collection discover this terrific oshc weekly critical reflection editable template and use it to critically reflect on your service each week

your guide to program planning in oshc anzuk education blog - May 28 2023

aug 22 2019 how to work in oshc with anzuk 7th november 2022 oshc stands for out of school hours care and is a field that offers you a lot of flexibility and training opportunities educators can work in oshc while they are read more

program planning in oshc services aussie childcare network - Aug 31 2023

mar 1 2020 for a range of program templates that can be used in an oshc setting templates o shc services should also try appassessment digital documentation app using this app for your service you will be able to complete the planning cycle of collecting information by using the variety of default documentation including parent input forms

mtop oshc program planner templates editable printable color b w tpt - Jul 30 2023

outside school hours care educators can use these oshc daily planner templates to easily show evidence of a simple process of collecting information then analysing and using it to inform your future planning helps educators working with the my time our place framework mtop simplify and meet planning requirements

oshc programming resource gowrie sa - Apr 26 2023

oshc programming resource this resource was develop by gowrie sa under the inclusion and professional support program the inclusion and professional support program was funded programs that offer ideas and inspiration for possible program formats to support working with the my time our place mtop the framework for school age care in

osh program template occupational safety and health osh - Aug 19 2022

the shc of the company is responsible to plan develop and implement osh policies and programs monitor and evaluate osh programs and investigate all aspect of the work pertaining to the safety and health of all the workers shc shall be composed of the following in compliance with the law

[oshc editable weekly program template teacher made twinkl](#) - Oct 01 2023

our detailed oshc editable weekly program template will be a perfect addition to your oshc service operation resource collection the oshc editable weekly program template is aligned with the my time our place framework and five learning outcomes

[oshc what does oshc stand for the free dictionary](#) - Mar 14 2022

oshc oregon state housing council salem or oshc ogun state housing corporation nigeria oshc occupational safety and health committee oshc office of science and health coordination us fda oshc

dole osh program template pdf personal protective - Jul 18 2022

dole osh program template pdf personal protective equipment occupational safety and health 0 ratings 42 views 13 pages dole osh program template uploaded by oshc caraga copyright all rights reserved available formats download as pdf txt or read online from scribd flag for inappropriate content download now of 13

oshc editable weekly program template teacher made twinkl - Dec 23 2022

how can i program activities at an oshc service our detailed oshc editable weekly program template will be a perfect addition to your oshc service operation resource collection the oshc editable weekly program template is aligned with the my time our place framework and five learning outcomes

oshc definition by acronymfinder - Jan 12 2022

oshc out of school hours care oshc overseas student health cover australia oshc occupational safety and health council hong kong oshc oregon state housing council salem or oshc office of science and health coordination us fda oshc ogun state housing corporation nigeria oshc occupational safety and health committee oshc

[outside school hours care planning cycle templates the](#) - Mar 26 2023

because the oshc daily planner templates have been specifically developed for your role and planning requirements when you work as an educator in an outside school hours care service it can be difficult to find resources to meet your specific needs