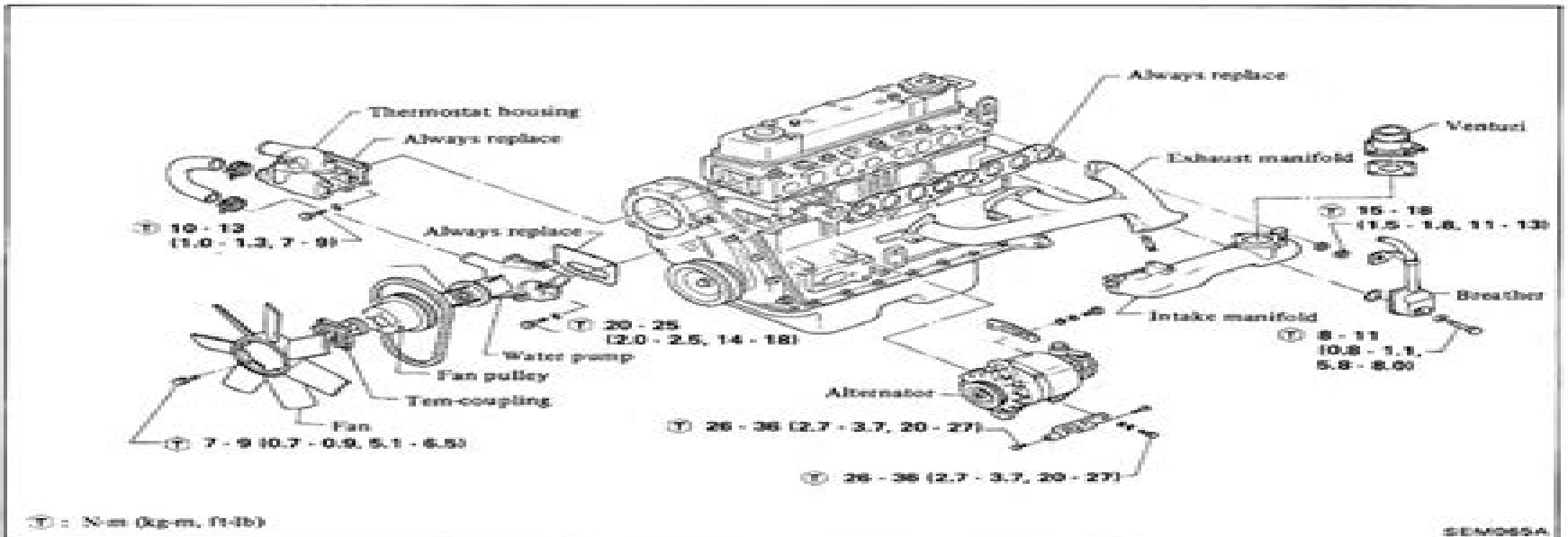
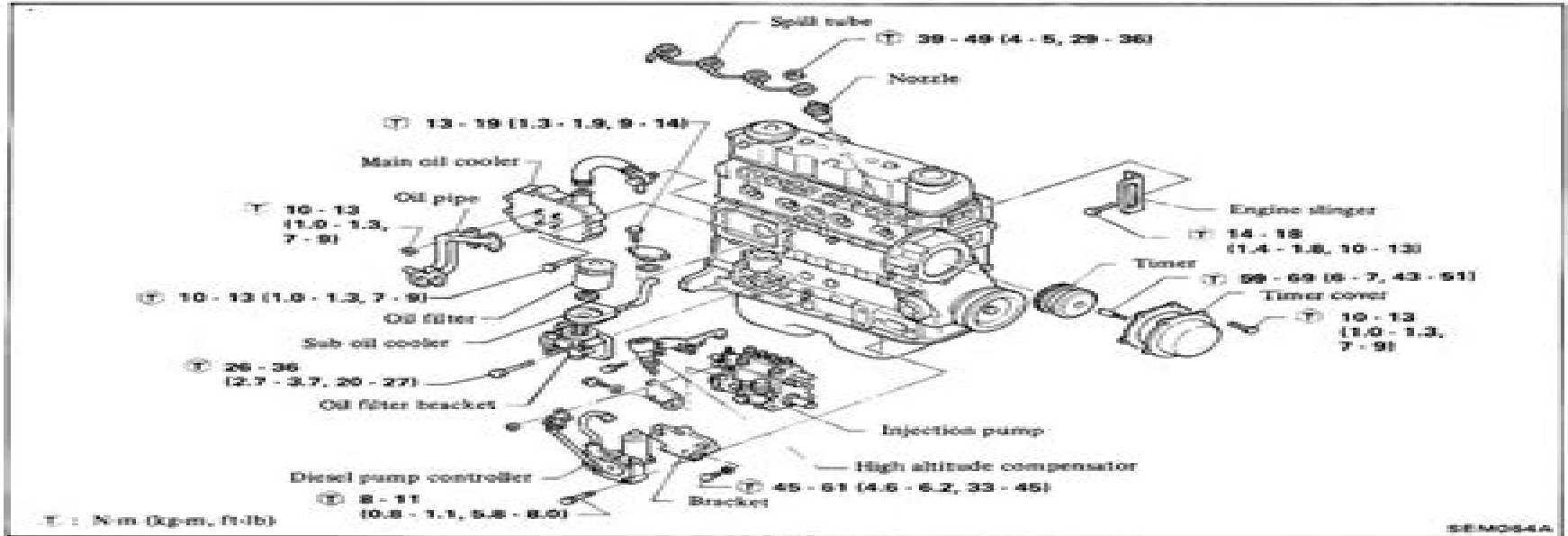


ENGINE COMPONENTS (Outer parts)



Sd22 Diesel Engine Manual

LL Leslie



Sd22 Diesel Engine Manual:

Immerse yourself in heartwarming tales of love and emotion with Crafted by is touching creation, Tender Moments: **Sd22 Diesel Engine Manual** . This emotionally charged ebook, available for download in a PDF format (Download in PDF: *), is a celebration of love in all its forms. Download now and let the warmth of these stories envelop your heart.

https://crm.avenza.com/results/virtual-library/fetch.php/ngss_pacing_guide_california.pdf

Table of Contents Sd22 Diesel Engine Manual

1. Understanding the eBook Sd22 Diesel Engine Manual
 - The Rise of Digital Reading Sd22 Diesel Engine Manual
 - Advantages of eBooks Over Traditional Books
2. Identifying Sd22 Diesel Engine Manual
 - Exploring Different Genres
 - Considering Fiction vs. Non-Fiction
 - Determining Your Reading Goals
3. Choosing the Right eBook Platform
 - Popular eBook Platforms
 - Features to Look for in an Sd22 Diesel Engine Manual
 - User-Friendly Interface
4. Exploring eBook Recommendations from Sd22 Diesel Engine Manual
 - Personalized Recommendations
 - Sd22 Diesel Engine Manual User Reviews and Ratings
 - Sd22 Diesel Engine Manual and Bestseller Lists
5. Accessing Sd22 Diesel Engine Manual Free and Paid eBooks
 - Sd22 Diesel Engine Manual Public Domain eBooks
 - Sd22 Diesel Engine Manual eBook Subscription Services
 - Sd22 Diesel Engine Manual Budget-Friendly Options
6. Navigating Sd22 Diesel Engine Manual eBook Formats

- ePub, PDF, MOBI, and More
- Sd22 Diesel Engine Manual Compatibility with Devices
- Sd22 Diesel Engine Manual Enhanced eBook Features
- 7. Enhancing Your Reading Experience
 - Adjustable Fonts and Text Sizes of Sd22 Diesel Engine Manual
 - Highlighting and Note-Taking Sd22 Diesel Engine Manual
 - Interactive Elements Sd22 Diesel Engine Manual
- 8. Staying Engaged with Sd22 Diesel Engine Manual
 - Joining Online Reading Communities
 - Participating in Virtual Book Clubs
 - Following Authors and Publishers Sd22 Diesel Engine Manual
- 9. Balancing eBooks and Physical Books Sd22 Diesel Engine Manual
 - Benefits of a Digital Library
 - Creating a Diverse Reading Collection Sd22 Diesel Engine Manual
- 10. Overcoming Reading Challenges
 - Dealing with Digital Eye Strain
 - Minimizing Distractions
 - Managing Screen Time
- 11. Cultivating a Reading Routine Sd22 Diesel Engine Manual
 - Setting Reading Goals Sd22 Diesel Engine Manual
 - Carving Out Dedicated Reading Time
- 12. Sourcing Reliable Information of Sd22 Diesel Engine Manual
 - Fact-Checking eBook Content of Sd22 Diesel Engine Manual
 - Distinguishing Credible Sources
- 13. Promoting Lifelong Learning
 - Utilizing eBooks for Skill Development
 - Exploring Educational eBooks
- 14. Embracing eBook Trends
 - Integration of Multimedia Elements
 - Interactive and Gamified eBooks

Sd22 Diesel Engine Manual Introduction

In the digital age, access to information has become easier than ever before. The ability to download Sd22 Diesel Engine Manual has revolutionized the way we consume written content. Whether you are a student looking for course material, an avid reader searching for your next favorite book, or a professional seeking research papers, the option to download Sd22 Diesel Engine Manual has opened up a world of possibilities. Downloading Sd22 Diesel Engine Manual provides numerous advantages over physical copies of books and documents. Firstly, it is incredibly convenient. Gone are the days of carrying around heavy textbooks or bulky folders filled with papers. With the click of a button, you can gain immediate access to valuable resources on any device. This convenience allows for efficient studying, researching, and reading on the go. Moreover, the cost-effective nature of downloading Sd22 Diesel Engine Manual has democratized knowledge. Traditional books and academic journals can be expensive, making it difficult for individuals with limited financial resources to access information. By offering free PDF downloads, publishers and authors are enabling a wider audience to benefit from their work. This inclusivity promotes equal opportunities for learning and personal growth. There are numerous websites and platforms where individuals can download Sd22 Diesel Engine Manual. These websites range from academic databases offering research papers and journals to online libraries with an expansive collection of books from various genres. Many authors and publishers also upload their work to specific websites, granting readers access to their content without any charge. These platforms not only provide access to existing literature but also serve as an excellent platform for undiscovered authors to share their work with the world. However, it is essential to be cautious while downloading Sd22 Diesel Engine Manual. Some websites may offer pirated or illegally obtained copies of copyrighted material. Engaging in such activities not only violates copyright laws but also undermines the efforts of authors, publishers, and researchers. To ensure ethical downloading, it is advisable to utilize reputable websites that prioritize the legal distribution of content. When downloading Sd22 Diesel Engine Manual, users should also consider the potential security risks associated with online platforms. Malicious actors may exploit vulnerabilities in unprotected websites to distribute malware or steal personal information. To protect themselves, individuals should ensure their devices have reliable antivirus software installed and validate the legitimacy of the websites they are downloading from. In conclusion, the ability to download Sd22 Diesel Engine Manual has transformed the way we access information. With the convenience, cost-effectiveness, and accessibility it offers, free PDF downloads have become a popular choice for students, researchers, and book lovers worldwide. However, it is crucial to engage in ethical downloading practices and prioritize personal security when utilizing online platforms. By doing so, individuals can make the most of the vast array of free PDF resources available and embark on a journey of continuous learning and intellectual growth.

FAQs About Sd22 Diesel Engine Manual Books

How do I know which eBook platform is the best for me? Finding the best eBook platform depends on your reading preferences and device compatibility. Research different platforms, read user reviews, and explore their features before making a choice. Are free eBooks of good quality? Yes, many reputable platforms offer high-quality free eBooks, including classics and public domain works. However, make sure to verify the source to ensure the eBook credibility. Can I read eBooks without an eReader? Absolutely! Most eBook platforms offer web-based readers or mobile apps that allow you to read eBooks on your computer, tablet, or smartphone. How do I avoid digital eye strain while reading eBooks? To prevent digital eye strain, take regular breaks, adjust the font size and background color, and ensure proper lighting while reading eBooks. What the advantage of interactive eBooks? Interactive eBooks incorporate multimedia elements, quizzes, and activities, enhancing the reader engagement and providing a more immersive learning experience. Sd22 Diesel Engine Manual is one of the best book in our library for free trial. We provide copy of Sd22 Diesel Engine Manual in digital format, so the resources that you find are reliable. There are also many Ebooks of related with Sd22 Diesel Engine Manual. Where to download Sd22 Diesel Engine Manual online for free? Are you looking for Sd22 Diesel Engine Manual PDF? This is definitely going to save you time and cash in something you should think about.

Find Sd22 Diesel Engine Manual :

~~ngss pacing guide california~~

nfer year 3 test papers

~~news report bonnie scott~~

nha ccma certification test study guide 2015

new york state 6th grade math curriculum

[new microsoft office word document thokomo com](#)

new labour policy industrial relations and the trade unions

new perspectives on human resource management routledge revivals

new holland tsa workshop manual

~~new is idea 30a sickle bar mower parts manual~~

[new jersey civil service test guide](#)

new oxford modern science guide

next generation for essential questions

nfa building construction combustible student manual
new holland tz25da operators manual

Sd22 Diesel Engine Manual :

partitions la clarinette classique vol b clarinette et piano - Nov 06 2022

web 30 95 by jacques lancelot henri classens for clarinet and piano classical score 31 16 pages published by editions combre
la clarinette classique vol d french edition amazon com - Mar 30 2022

web cet album est indispensable à l'étude de la clarinette pour travailler des oeuvres connues ou pour s'amuser à déchiffrer suivant le niveau de l'élève dommage que la partition de

la clarinette classique vol b espace vandoren partitions - Mar 10 2023

web la clarinette classique vol b Édition combre référence 1cl2833 instrument clarinette sib référence Éditeur p03406 pour clarinette et piano beethoven allegretto bach menuet lefevre jean xavier rondino kullak berceuse wohlfahrt chant de la forêt kummer chant du matin mattheson menuet steibelt

la clarinette classique vol b henry lemoine - Jun 13 2023

web find the score of la clarinette classique vol b by lancelot jacques classens henri on henry lemoine com as well as all our clarinet and piano catalog

jacques lancelot la clarinette classique vol b livre - Sep 04 2022

web jacques lancelot la clarinette classique vol b livre pour clarinette avec acc piano vol b classens h lancelot j de détails partager imprimer prix bauer musique 23 80 ttc quantité ajouter au panier attention dernières pièces disponibles besoin d'un conseil 02 38 53 41 51 frais de livraison offert dès 49 en savoir plus

amazon fr la clarinette classique recueil c jacques lancelot - Apr 30 2022

web noté 5 retrouvez la clarinette classique recueil c et des millions de livres en stock sur amazon fr achetez neuf ou d'occasion

la clarinette classique vol b partition musique classique - Dec 07 2022

web retrouvez sur planète partitions la clarinette classique vol bauteur lancelot jacques classens henristyle genre partition classique pour clarinette et pianodifficultés nombre de pages 31 16collection edition combre

musique la clarinette classique recueil b - May 12 2023

web la clarinette classique recueil b jacques lancelot 1920 2009 henri classens 19 1975 edité par m combre paru en 1965 allegretto romance l van beethoven menuet musette j s bach rondino mélodie j x lefevre berceuse t kullak

garth algernon la clarinette classique vol b pdf kindle blogger - Jan 28 2022

web did you ever know the la clarinette classique vol b pdf kindle yes this is a very interesting book to read plus it is the best selling la clarinette classique vol b pdf download of the year be the first to download this la clarinette classique vol b pdf epub because there are 4 types of file formats pdf kindle epub and mobi

partitions la clarinette classique vol a clarinette free - Jul 02 2022

web la clarinette classique vol b classens henriancelot jacques en français clarinette et piano partition facile combre

la clarinette classique vol b chant du matin nkoda com - Dec 27 2021

web la clarinette classique vol b chant du matin sheet music access this edition published by editions combre and 110 000 other scores on the nkoda app

la clarinette classique vol bancelot classens amazon fr - Jan 08 2023

web noté 5 retrouvez la clarinette classique vol b et des millions de livres en stock sur amazon fr achetez neuf ou d occasion

la clarinette classique vol b henry lemoine - Feb 09 2023

web retrouvez la partition de la clarinette classique vol b deancelot jacques classens henri sur henry lemoine com ainsi que tout notre catalogue clarinette et piano

la clarinette classique vol b chant de la forêt nkoda com - Apr 11 2023

web la clarinette classique vol b chant de la forêt editions combre heinrich wohlfahrt available materials clarinet in bb piano nkoda sheet music library over 100k editions from 9 99 month

la clarinette classique vol b bol com - Oct 05 2022

web la clarinette classique vol b bladmuziek clarinet and piano ga naar zoeken ga naar hoofdinhoud lekker winkelen zonder zorgen gratis verzending vanaf 20 bezorging dezelfde dag s avonds of in het weekend gratis retourneren select ontdek nu de 4 voordelen zoeken welkom welkom

la clarinette classique vol a deancelot jacques classens - Aug 03 2022

web la clarinette classique vol b pour clarinette et pianoancelot jacques classens henri édité par edition philippo combre 1965 isbn 13 9790230334068

clarinette ancienne wikipedia - Feb 26 2022

web clarinette à cinq clefs vers 1775 johann joseph beer ajoute une cinquième clef 21 22 qui permet de jouer le fa et sa 12e le do clarinette et corps de rechange démontés en si bémol et la august grenser dresde ca 1790 toujours vers 1775 il est admis que le facteur parisien michel amlingue 1744 1816 23 invente un système de corps de

la clarinette classique volume b jacquesancelot partition - Aug 15 2023

web retrouvez la clarinette classique volume b de jacquesancelot partition clarinette et piano sur laflutedepan com vents clarinette recueils

la clarinette classique vol b berceuse nkoda - Jul 14 2023

web la clarinette classique vol b berceuse piano sheet music by theodor kullak nkoda free 7 days trial

la clarinette classique volb 01 mescla youtube - Jun 01 2022

web aquestes peces formen part d un projecte que consisteix en el fet d enregistrar obres que formen part del repertori habitual dels alumnes de clarinet el pr

the courtier voltaire a very short introduction oxford academic - Aug 03 2022

web voltaire a very short introduction very short introductions oxford 2017 online edn oxford academic 23 feb 2017 doi org 10 1093 actrade 9780199688357 003 0006 accessed 21 sept 2022

voltaire a very short introduction researchgate - Jan 08 2023

web mar 1 2017 voltaire a very short introduction explores voltaire s remarkable career his most important works and demonstrates how his thinking is pivotal to our notion and understanding of the

voltaire a very short introduction by nicholas cronk goodreads - Jun 01 2022

web feb 11 2015 54 ratings6 reviews voltaire 1694 1778 best remembered as the author of candide is one of the central actors arguably the defining personality of the european enlightenment in this very short introduction nicholas cronk explores voltaire s remarkable career and demonstrates how his thinking is pivotal to our notion and

voltaire a very short introduction oxford academic - Aug 15 2023

web feb 23 2017 voltaire a very short introduction explores voltaire s remarkable career his most important works and demonstrates how his thinking is pivotal to our notion and understanding of the enlightenment it examines the nature of voltaire s literary celebrity demonstrating the extent to which his work was reactive and practical and therefore

voltaire a very short introduction oxford academic - Feb 09 2023

web voltaire a very short introduction very short introductions oxford 2017 online edn oxford academic 23 feb 2017 doi org accessed 30 nov 2022

voltaire a very short introduction nicholas cronk google books - Jul 02 2022

web in this very short introduction nicholas cronk explores voltaire s remarkable career and demonstrates how his thinking is pivotal to our notion and understanding of the enlightenment

voltaire simple english wikipedia the free encyclopedia - Dec 27 2021

web voltaire franois marie arouet also known as voltaire 1 was a french philosopher he was born in 1694 and grew up in poitou he died in paris in 1778 voltaire did not like france at the time because he thought that it was old fashioned he also did not like the church and thought that people should be allowed to believe what they want

voltaire a very short introduction nicholas cronk oxford - Jun 13 2023

web apr 1 2017 very short introductions explores voltaire s life career and most important works looks at the factors that influenced his work how theatre played a part in understanding his work as a writer and his impact as an empirical philosopher

voltaire wikipedia - Jan 28 2022

web franois marie arouet french fʁɑ swa maʁi aʁvɛ 21 november 1694 30 may 1778 was a french enlightenment writer philosopher and historian known by his nom de plume m de voltaire v ɔ l ' t ɛər v ɔ ʁ l also us v ɔ: l french vɔltɛːʁ he was famous for his wit in addition to his criticism of christianity especially of the roman catholic church and

voltaire a very short introduction oxford university press - Nov 06 2022

web oct 6 2019 voltaire 1694 1778 best remembered as the author of candide is one of the central actors arguably the defining personality of the european enlightenment in this very short introduction nicholas cronk explores voltaire s remarkable career and demonstrates how his thinking is pivotal to our notion and understanding of the

voltaire a very short introduction oxford academic - Apr 11 2023

web cronk nicholas the epicurean poet voltaire a very short introduction very short introductions oxford 2017 online edn oxford academic 23 feb 2017 doi org 10 1093 actrade 9780199688357 003 0003 accessed 15 july 2023

voltaire a very short introduction very short int uniport edu - Sep 04 2022

web apr 6 2023 voltaire a very short introduction very short intr pdf pdf webas this voltaire a very short introduction very short intr pdf it ends occurring swine one of the favored book voltaire a very short introduction very short intr pdf collections that we have this is why you remain in the best website to see the unbelievable ebook to have

voltaire a very short introduction oxford academic - May 12 2023

web very short introductions one of voltaire s lesser known claims to fame is that he was a fellow of the royal society he was elected in 1743 three years before his elevation to the académie franaise and this public recognition was important to him

voltaire a very short introduction in searchworks catalog - Mar 30 2022

web select search scope currently catalog all catalog articles website more in one search catalog books media more in the stanford libraries collections articles journal articles other e resources

voltaire a very short introduction very short introductions - Apr 30 2022

web in this very short introduction nicholas cronk explores voltaire s remarkable career and demonstrates how his thinking is pivotal to our notion and understanding of the enlightenment

voltaire biography works philosophy ideas beliefs facts - Dec 07 2022

web aug 17 2023 voltaire pseudonym of franois marie arouet born november 21 1694 paris france died may 30 1778 paris one of the greatest of all french writers although only a few of his works are still read he continues to be held in worldwide

repute as a courageous crusader against tyranny bigotry and cruelty

voltaire a very short introduction oxford academic - Jul 14 2023

web the introduction outlines the aims of this vsi it is an introduction to the making of voltaire an enlightenment celebrity it is also an examination of the way voltaire spent his whole life trying out different roles for size perfecting various authorial postures reinventing different ways to speak to and engage his audiences

a very short introduction voltaire history by nicholas cronk - Feb 26 2022

web this very short introduction examines voltaire s 1694 1778 remarkable life and career exploring his most important writings the impact his work had on our understanding of the european enlightenm

voltaire a very short introduction oxford academic - Mar 10 2023

web voltaire a very short introduction very short introductions oxford 2017 online edn oxford academic 23 feb 2017 doi org 10 1093 actrade 9780199688357 002 0008 accessed 5 oct 2022

index voltaire a very short introduction oxford academic - Oct 05 2022

web voltaire a very short introduction very short introductions oxford 2017 online edn oxford academic 23 feb 2017 doi org accessed 29 dec 2022

nuovo espresso 1 corsi di italiano alma edizioni - Feb 16 2022

web lezione 3 lezione 3 audio nuovo espresso è un corso di lingua italiana diviso in sei livelli da a1 a c2 in linea con le indicazioni del quadro comune europeo per le lingue nuovo espresso 1 è il primo volume del corso e si rivolge a studenti principianti

nuovo espresso 2 corsi di italiano alma edizioni - Oct 07 2023

web nuovo espresso è un corso di lingua italiana diviso in sei livelli da a1 a c2 in linea con le indicazioni del quadro comune europeo per le lingue nuovo espresso 2 è il secondo volume del corso e si rivolge a studenti di livello elementare

nuovo espresso 2 alma edizioni italiano per stranieri audio - Aug 05 2023

web nuovo espresso 2 è il secondo volume del corso e si rivolge a studenti di livello elementare offre materiale didattico per circa 90 ore di corso più l eserciziaro per il lavoro a casa un videocorso con attività e una videogrammatica È disponibile in tre versioni clicca qui per confrontarle nel dettaglio solo libro libro dvd

corso di italiano per stranieri videocorso di nuovo espresso - Dec 29 2022

web may 10 2020 il videocorso di nuovo espresso è una serie a puntate che ti aiuta a imparare l italiano divertendoti ogni episodio è accompagnato da una videogrammatica ch

[nuovo espresso 2 a2 corso di italiano worldcat org](#) - Mar 20 2022

web nuovo espresso 2 a2 corso di italiano libro dello studente e esercizi worldcat org

lehrerhandbuch guida per l insegnante hueber - Feb 28 2023

web È disponibile anche la versione con i sottotitoli in italiano nuovo espresso è un corso di italiano in 3 volumi concepito per un pubblico di adulti che può essere utilizzato con successo anche nelle scuole superiori nuovo espresso 2 si rivolge a studenti di livello post elementare intermedio che intendono

italiano per stranieri recensione nuovo espresso 2 alma youtube - Nov 27 2022

web apr 25 2020 fabio boero il manuale espresso è tra i più usati per l apprendimento dell italiano a stranieri qui vediamo la nuova versione di espresso 2 livello a2 proposta da alma edizioni

espresso 2 corso di italiano libro del alunno - Aug 25 2022

web espresso 2 è il secondo volume del corso e si rivolge a studenti di livello post elementare intermedio il libro offre materiale didattico per circa 90 ore di corso più gli esercizi per il lavoro a casa

espresso 2 corso di italiano libro dello studente ed esercizi - May 02 2023

web espresso 2 corso di italiano libro dello studente ed esercizi by balí maria publication date 2002 topics italian language textbooks for foreign speakers italian language self instruction italian language problems exercises etc italian language sound recordings for foreign speakers manuels scolaires comme sujet

espresso 2 corso di italiano libro dello studente ed esercizi - Sep 25 2022

web libro dello studente ed esercizi espresso è un corso di lingua italiana per stranieri diviso in tre livelli indirizzato a studenti adulti e adolescenti si basa su principi metodologici

espresso 2 corso di italiano libro dello studente ed esercizi - Apr 01 2023

web apr 15 2014 espresso 2 corso di italiano libro dello studente ed esercizi maria balí and giovanna rizzo published by alma edizioni level intermediate first published in 2002 the book addresses a2 pre intermediate learners according to the common european framework of reference for languages cefr who already have a basic

amazon it nuovo espresso 2 - Apr 20 2022

web nuovo espresso 2 einsprachige ausgabe nuovo espresso 02 einsprachige ausgabe schweiz corso di italiano esercizi supplementari edizione tedesco di luciana ziglio e albina doliana 4 7 4 copertina flessibile 17 01 consegna gratuita mer 29 mar sul tuo primo ordine idoneo oppure consegna più rapida domani 27 mar

nuovo espresso 2 esercizi on line alma edizioni - Jun 03 2023

web esercizi on line titolo nuovo espresso 2 categoria esercizi on line tanti esercizi di ripasso di fissazione e ampliamento da svolgere direttamente on line la scansione degli esercizi segue in parallelo l andamento delle corrispondenti lezioni del libro dello studente

espresso 2 corso di italiano libro del alunno - Jan 30 2023

web espresso è un corso di lingua italiana per stranieri diviso in tre livelli indirizzato a studenti adulti e adolescenti si basa su principi metodologici moderni grazie ai quali lo studente viene messo in grado di comunicare subito con facilità e sicurezza nelle situazioni reali

italian espresso 2 alma edizioni italiano per stranieri attività - Jul 04 2023

web italian espresso è il primo corso di italiano realmente made in italy indirizzato a studenti anglofoni il corso è particolarmente adatto agli studenti di college e università americani negli usa e in italia e alle istituzioni universitarie anglo americane in genere segue i foreign language acquisition standards

espresso 2 libro degli studenti ed esercizi language advisor - Jun 22 2022

web espresso 2 libro degli studenti ed esercizi espresso è un corso di lingua italiana diviso in sei livelli da a1 a c2 in linea con le indicazioni del quadro comune europeo per le lingue espresso 2 è il secondo volume del corso e si

nuovo espresso 2 esercizi supplementari a2 italiano bello - May 22 2022

web i numerosi esercizi proposti appartengono a varie tipologie completamento abbinamento trasformazione cruciverba ecc e hanno come obiettivo il consolidamento di strutture e lessico appresi nel corso della relativa lezione di nuovo espresso 2

nuovo espresso 2 a2 libro ebook interattivo alma edizioni - Jul 24 2022

web avvisami corso di lingua italiana in 6 livelli a1 c2 con videocorso nuovo espresso 2 a2 libro ebook interattivo alma edizioni italiano bello libreria di italiano per stranieri

nuovo espresso 2 corso di italiano libro dello studente e esercizi - Oct 27 2022

web nuovo espresso 2 è rivolto agli studenti di livello post elementare intermedio un libro con lezioni per il lavoro di classe le sezioni del café culturale grammatica sommaria esercizi per il lavoro a casa e anche quattro sezioni con i budget arricchiti da attività di progetto giochi di squadra e test di revisione del punto

nuovo espresso 2 videocorso alma edizioni italiano per - Sep 06 2023

web scheda videocorso a2 clicca sul bottone videocorso a2 e accedi ai 10 episodi del videocorso di nuovo espresso 2 che seguono la progressione lessicale e grammaticale delle lezioni e forniscono allo studente nuovi spunti di approfondimento i video sono utilizzabili con o senza sottotitoli in italiano