

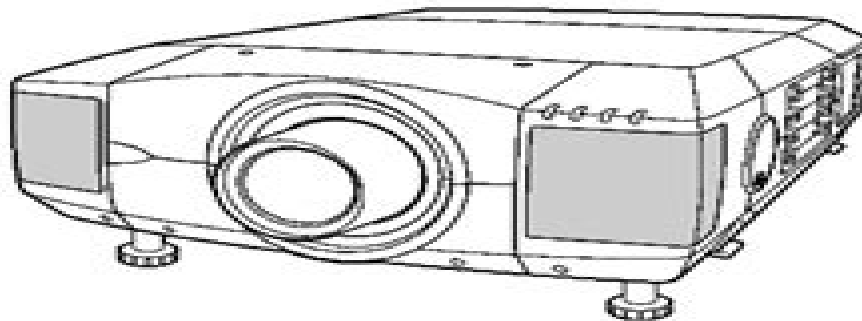
FILE NO. \_\_\_\_\_

## SERVICE MANUAL

Multimedia Projector

MODEL NO. **PLV-HD10**

**PLV-HD100**



(Projection lens is optional.)

Chassis No. **M4M-HD1000**  
**M4M-HD10000**

**NOTE:** Match the Chassis No. on the rating sheet on the cabinet with the Chassis No. in the Service Manual.

If the Original Version Service Manual Chassis No. does not match the unit, additional Service Literature is required. You must refer to "Notices" to the Original Service Manual prior to servicing the unit.

Give complete "CHASSIS NO." for parts order or servicing. It is shown on the rating sheet on the cabinet of the Projector.

### PRODUCT CODE :

PLV-HD10	MSMA	1 122 186-00
PLV-HD10	MSMA	1 122 186-00
PLV-HD10	MSMC	1 122 186-02
PLV-HD100	MSMA	1 122 186-40

# Sanyo Plv Hd10 Plv Hd100 Multimedia Projector Service Manual

**JS Bruner**



**Sanyo Plv Hd10 Plv Hd100 Multimedia Projector Service Manual:**  
**The Simplex Motion Picture Projector** Precision Machine Company, Inc,1923

Thank you very much for reading **Sanyo Plv Hd10 Plv Hd100 Multimedia Projector Service Manual**. Maybe you have knowledge that, people have look hundreds times for their chosen books like this Sanyo Plv Hd10 Plv Hd100 Multimedia Projector Service Manual, but end up in infectious downloads.

Rather than enjoying a good book with a cup of coffee in the afternoon, instead they juggled with some harmful bugs inside their laptop.

Sanyo Plv Hd10 Plv Hd100 Multimedia Projector Service Manual is available in our digital library an online access to it is set as public so you can download it instantly.

Our digital library hosts in multiple locations, allowing you to get the most less latency time to download any of our books like this one.

Kindly say, the Sanyo Plv Hd10 Plv Hd100 Multimedia Projector Service Manual is universally compatible with any devices to read

[https://crm.avenza.com/data/browse/Download\\_PDFS/Punch%20Line%20Algebra%20Answer%20Key.pdf](https://crm.avenza.com/data/browse/Download_PDFS/Punch%20Line%20Algebra%20Answer%20Key.pdf)

## **Table of Contents Sanyo Plv Hd10 Plv Hd100 Multimedia Projector Service Manual**

1. Understanding the eBook Sanyo Plv Hd10 Plv Hd100 Multimedia Projector Service Manual
  - The Rise of Digital Reading Sanyo Plv Hd10 Plv Hd100 Multimedia Projector Service Manual
  - Advantages of eBooks Over Traditional Books
2. Identifying Sanyo Plv Hd10 Plv Hd100 Multimedia Projector Service Manual
  - Exploring Different Genres
  - Considering Fiction vs. Non-Fiction
  - Determining Your Reading Goals
3. Choosing the Right eBook Platform
  - Popular eBook Platforms
  - Features to Look for in an Sanyo Plv Hd10 Plv Hd100 Multimedia Projector Service Manual
  - User-Friendly Interface

4. Exploring eBook Recommendations from Sanyo Plv Hd10 Plv Hd100 Multimedia Projector Service Manual
  - Personalized Recommendations
  - Sanyo Plv Hd10 Plv Hd100 Multimedia Projector Service Manual User Reviews and Ratings
  - Sanyo Plv Hd10 Plv Hd100 Multimedia Projector Service Manual and Bestseller Lists
5. Accessing Sanyo Plv Hd10 Plv Hd100 Multimedia Projector Service Manual Free and Paid eBooks
  - Sanyo Plv Hd10 Plv Hd100 Multimedia Projector Service Manual Public Domain eBooks
  - Sanyo Plv Hd10 Plv Hd100 Multimedia Projector Service Manual eBook Subscription Services
  - Sanyo Plv Hd10 Plv Hd100 Multimedia Projector Service Manual Budget-Friendly Options
6. Navigating Sanyo Plv Hd10 Plv Hd100 Multimedia Projector Service Manual eBook Formats
  - ePub, PDF, MOBI, and More
  - Sanyo Plv Hd10 Plv Hd100 Multimedia Projector Service Manual Compatibility with Devices
  - Sanyo Plv Hd10 Plv Hd100 Multimedia Projector Service Manual Enhanced eBook Features
7. Enhancing Your Reading Experience
  - Adjustable Fonts and Text Sizes of Sanyo Plv Hd10 Plv Hd100 Multimedia Projector Service Manual
  - Highlighting and Note-Taking Sanyo Plv Hd10 Plv Hd100 Multimedia Projector Service Manual
  - Interactive Elements Sanyo Plv Hd10 Plv Hd100 Multimedia Projector Service Manual
8. Staying Engaged with Sanyo Plv Hd10 Plv Hd100 Multimedia Projector Service Manual
  - Joining Online Reading Communities
  - Participating in Virtual Book Clubs
  - Following Authors and Publishers Sanyo Plv Hd10 Plv Hd100 Multimedia Projector Service Manual
9. Balancing eBooks and Physical Books Sanyo Plv Hd10 Plv Hd100 Multimedia Projector Service Manual
  - Benefits of a Digital Library
  - Creating a Diverse Reading Collection Sanyo Plv Hd10 Plv Hd100 Multimedia Projector Service Manual
10. Overcoming Reading Challenges
  - Dealing with Digital Eye Strain
  - Minimizing Distractions
  - Managing Screen Time
11. Cultivating a Reading Routine Sanyo Plv Hd10 Plv Hd100 Multimedia Projector Service Manual
  - Setting Reading Goals Sanyo Plv Hd10 Plv Hd100 Multimedia Projector Service Manual
  - Carving Out Dedicated Reading Time

12. Sourcing Reliable Information of Sanyo Plv Hd10 Plv Hd100 Multimedia Projector Service Manual
  - Fact-Checking eBook Content of Sanyo Plv Hd10 Plv Hd100 Multimedia Projector Service Manual
  - Distinguishing Credible Sources
13. Promoting Lifelong Learning
  - Utilizing eBooks for Skill Development
  - Exploring Educational eBooks
14. Embracing eBook Trends
  - Integration of Multimedia Elements
  - Interactive and Gamified eBooks

### **Sanyo Plv Hd10 Plv Hd100 Multimedia Projector Service Manual Introduction**

In this digital age, the convenience of accessing information at our fingertips has become a necessity. Whether its research papers, eBooks, or user manuals, PDF files have become the preferred format for sharing and reading documents. However, the cost associated with purchasing PDF files can sometimes be a barrier for many individuals and organizations. Thankfully, there are numerous websites and platforms that allow users to download free PDF files legally. In this article, we will explore some of the best platforms to download free PDFs. One of the most popular platforms to download free PDF files is Project Gutenberg. This online library offers over 60,000 free eBooks that are in the public domain. From classic literature to historical documents, Project Gutenberg provides a wide range of PDF files that can be downloaded and enjoyed on various devices. The website is user-friendly and allows users to search for specific titles or browse through different categories. Another reliable platform for downloading Sanyo Plv Hd10 Plv Hd100 Multimedia Projector Service Manual free PDF files is Open Library. With its vast collection of over 1 million eBooks, Open Library has something for every reader. The website offers a seamless experience by providing options to borrow or download PDF files. Users simply need to create a free account to access this treasure trove of knowledge. Open Library also allows users to contribute by uploading and sharing their own PDF files, making it a collaborative platform for book enthusiasts. For those interested in academic resources, there are websites dedicated to providing free PDFs of research papers and scientific articles. One such website is Academia.edu, which allows researchers and scholars to share their work with a global audience. Users can download PDF files of research papers, theses, and dissertations covering a wide range of subjects. Academia.edu also provides a platform for discussions and networking within the academic community. When it comes to downloading Sanyo Plv Hd10 Plv Hd100 Multimedia Projector Service Manual free PDF files of magazines, brochures, and catalogs, Issuu is a popular choice. This digital publishing platform hosts a vast collection of publications from around the world. Users can search for specific titles

or explore various categories and genres. Issuu offers a seamless reading experience with its user-friendly interface and allows users to download PDF files for offline reading. Apart from dedicated platforms, search engines also play a crucial role in finding free PDF files. Google, for instance, has an advanced search feature that allows users to filter results by file type. By specifying the file type as "PDF," users can find websites that offer free PDF downloads on a specific topic. While downloading Sanyo Plv Hd10 Plv Hd100 Multimedia Projector Service Manual free PDF files is convenient, it's important to note that copyright laws must be respected. Always ensure that the PDF files you download are legally available for free. Many authors and publishers voluntarily provide free PDF versions of their work, but it's essential to be cautious and verify the authenticity of the source before downloading Sanyo Plv Hd10 Plv Hd100 Multimedia Projector Service Manual. In conclusion, the internet offers numerous platforms and websites that allow users to download free PDF files legally. Whether it's classic literature, research papers, or magazines, there is something for everyone. The platforms mentioned in this article, such as Project Gutenberg, Open Library, Academia.edu, and Issuu, provide access to a vast collection of PDF files. However, users should always be cautious and verify the legality of the source before downloading Sanyo Plv Hd10 Plv Hd100 Multimedia Projector Service Manual any PDF files. With these platforms, the world of PDF downloads is just a click away.

### **FAQs About Sanyo Plv Hd10 Plv Hd100 Multimedia Projector Service Manual Books**

How do I know which eBook platform is the best for me? Finding the best eBook platform depends on your reading preferences and device compatibility. Research different platforms, read user reviews, and explore their features before making a choice. Are free eBooks of good quality? Yes, many reputable platforms offer high-quality free eBooks, including classics and public domain works. However, make sure to verify the source to ensure the eBook's credibility. Can I read eBooks without an eReader? Absolutely! Most eBook platforms offer web-based readers or mobile apps that allow you to read eBooks on your computer, tablet, or smartphone. How do I avoid digital eye strain while reading eBooks? To prevent digital eye strain, take regular breaks, adjust the font size and background color, and ensure proper lighting while reading eBooks. What's the advantage of interactive eBooks? Interactive eBooks incorporate multimedia elements, quizzes, and activities, enhancing the reader engagement and providing a more immersive learning experience. Sanyo Plv Hd10 Plv Hd100 Multimedia Projector Service Manual is one of the best books in our library for free trial. We provide a copy of Sanyo Plv Hd10 Plv Hd100 Multimedia Projector Service Manual in digital format, so the resources that you find are reliable. There are also many eBooks related to Sanyo Plv Hd10 Plv Hd100 Multimedia Projector Service Manual. Where to download Sanyo Plv Hd10 Plv Hd100 Multimedia Projector Service Manual online for free? Are you looking for Sanyo Plv Hd10 Plv Hd100 Multimedia Projector Service Manual PDF? This is definitely going to save you time and cash in something you should think

about.

### **Find Sanyo Plv Hd10 Plv Hd100 Multimedia Projector Service Manual :**

**punch line algebra answer key**

[puzey mxr 125 repair manual](#)

[pump handbook 3rd edition](#)

[puppet pals user guide](#)

[punchline algebra b teacher edition](#)

[pt cruiser repair manual transmission](#)

[purchasing and supply chain management monczka](#)

**pure polaris owner manual rzt 800 2012**

[publication manual of apa 5th edition](#)

**public safety dispatcher suffolk county study guide**

[put downs and paper panties](#)

**puppy vaccination record**

[punnet squares excercises and answers florida sciencie fusion](#)

[publications safety health kentucky osh manual](#)

[push notification nokia asha 205](#)

### **Sanyo Plv Hd10 Plv Hd100 Multimedia Projector Service Manual :**

**résistance des matériaux pdf méthode des éléments finis** - Nov 30 2022

web mar 20 2017 résistance des materiaux schaum tome 1 march 20 2017 author anas tijani modar category n a download pdf 11 5mb share embed donate

*résistance des matériaux par la pratique tome 1* - Jan 01 2023

web par albiges maurice principal contributeur s coin andré principal 07 d résistance des matériaux tome 2 07 d résistance des matériaux appliquée tome 1 07 d

**détails à propos de résistance des matériaux appliquée tome** - Oct 30 2022

web achetez le livre résistance des matériaux tome 1 recueil de problèmes aux éditions presses internationales polytechniques de la collection par andré



**resistance des materiaux tome 1 cours et de lucien** - May 05 2023

web le tome 1 est divise en deux parties la 1ere partie traite des donnees de base fournies par la resistance des materiaux elle comprend les chapitres suivants 1 distribution des

**résistance des matériaux recueil de problèmes volume 1** - Dec 20 2021

**résistance des matériaux résistance des matériaux tome 1 fnac** - Jul 07 2023

web résistance des matériaux tome 1 seul ecoles d ingénieurs arts et métiers ecole normale supérieure de l enseignement technique chillon p edité par editions dunod

resistance des materiaux schaum tome 1 free download pdf - Sep 28 2022

web resistance des materiaux tome 1 2014477159 sciences appliquées sciences humaines cultura resistance des materiaux tome 1 aux éditions hachette bnf

résistance des matériaux tome1 by andré bazergui - Aug 08 2023

web comparer tout supprimer résistance des matériaux tome 1 résistance des matériaux lucien géminard armand giet erreur perimes dunod des milliers de livres avec

*stephen timoshenko résistance des matériaux tome 1 fnac* - Feb 02 2023

web timoshenko résistance des matériaux tome 1 l4 l2 y q qα et vaut y 0 197 mm 8 e iz 2 ag avec 3 4 α section rectangulaire α section circulaire 2 3 a aire de la

**résistance des matériaux tome 1 broché morin arthur jules** - Mar 03 2023

web résistance des matériaux tome 1 résistance des matériaux stephen timoshenko erreur perimes dunod des milliers de livres avec la livraison chez vous en 1 jour

*resistance des materiaux appliquee tomes 1 et 2* - Apr 04 2023

web dec 1 2016 résumé voir tout résistance des matériaux tome 1 par arthur morin date de l édition originale 1862 le présent ouvrage s inscrit dans une politique de

**resistance des materiaux appliquee tome 1 insa lyon** - May 25 2022

web noté 5 achetez résistance des matériaux cours et exercices corrigés bts dut classes préparatoires écoles d ingénieurs by mourad khelifa 2010 05 21 de isbn sur

**amazon fr résistance des matériaux tome 1 larralde livres** - Sep 09 2023

web noté 5 achetez résistance des matériaux tome 1 de larralde isbn 9782225748448 sur amazon fr des millions de livres livrés chez vous en 1 jour

résistance des matériaux tome 1 recueil de problèmes - Aug 28 2022

web tome 1 par m albiges et a coin livre techniques et sciences appliquées langue français résistance des matériaux appliquée tome 1 par m albiges et a coin pas

[résistance des matériaux tome 1 giet librairie eyrolles](#) - Apr 23 2022

web apr 27 2018 read more donate résistance des matériaux tome 1 authors s p timoshenko size 21 mb 420 pages

**toute la resistance des materiaux youde xiong librairie eyrolles** - Nov 18 2021

[résistance des matériaux appliquée tome 1 par m albiges](#) - Jun 25 2022

web feb 1 1997 il s adresse aux étudiants des filières relevant du génie mécanique sts iut classes préparatoires écoles d ingénieurs ainsi qu aux professionnels techniciens et

**résistance des matériaux tome 1 null broché e leclerc** - Jan 21 2022

web un véritable aide mémoire la résistance des matériaux est l étude du comportement des matériaux en traction compression flexion et torsion pour en déterminer les conditions

[résistance des matériaux cours et exercices corrigés bts](#) - Mar 23 2022

web mar 25 2003 le recueil de problèmes tome 1 est un complément au livre résistance des matériaux rédigé par les mêmes auteurs on y présente les solutions complètes

[résistance des matériaux tome 1 gcalgerie com](#) - Feb 19 2022

web le recueil de problèmes tome 1 est un complément au livre résistance des matériaux rédigé par les mêmes auteurs on y présente les solutions complètes aux problèmes

[resistance des materiaux tome 1 2014477159 cultura](#) - Jul 27 2022

web livres imprimés 1969 institut technique du bâtiment et des travaux publics serie theories et methodes d 1ere partie theorie elementaire rappels distribution des

**74353841 44999727 timoshenko resistance des materiaux tome 1** - Oct 10 2023

web apr 7 2016 74353841 44999727 timoshenko resistance des materiaux tome 1 free download borrow and streaming internet archive

**resistance des materiaux 1 abebooks** - Jun 06 2023

web feb 1 1997 resistance des materiaux tome 1 cours et exercices 5ème édition lucien géminard armand giet note moyenne donner le premier avis comment

**digital image processing an algorithm approach** - Mar 30 2022

web jan 1 2006 information and communication technology the book offers a balanced exposition of basic principles and applications of image processing it lays considerable emphasis on the algorithmic

digital image processing an algorithmic approach with matlab - Apr 11 2023

web the book contains easy explanations of theoretical concepts avoiding heavy mathematics wherever possible topics covered include image processing and the matlab environment image acquisition types and file i o and affine and logical operations

**digital image processing a signal processing and algorithmic approach** - Oct 05 2022

web digital image processing a signal processing and algorithmic approach springerlink digital image processing a signal processing and algorithmic approach home textbook authors d sundararajan makes the fundamentals of digital image processing easy to learn using a signal processing and algorithmic approach

digital image processing algorithms and applications - Dec 27 2021

web feb 22 2000 a unique collection of algorithms and lab experiments for practitioners and researchers of digital image processing technology with the field of digital image processing rapidly expanding there is a growing need for a book that would go beyond theory and techniques to address the underlying algorithms digital image processing

*digital image processing an algorithmic introduction springerlink* - Dec 07 2022

web this modern self contained textbook provides an accessible introduction to the field from the perspective of a practicing programmer supporting a detailed presentation of the fundamental concepts and techniques with practical exercises and fully worked out implementation examples

**digital image processing an algorithmic introduction using java** - Feb 09 2023

web digital image processing is the definitive textbook for students researchers and professionals in search of critical analysis and modern implementations of the most important algorithms in the field and is also eminently suitable for self study

**digital image processing an algorithmic approach phi 2007** - Mar 10 2023

web jun 10 2007 digital image processing is a common way of extracting image data under a series of processes using algorithms to produce accurate results 11 12 13 meanwhile machine learning was

**digital image processing an algorithmic approach with** - Aug 15 2023

web oct 16 2009 avoiding heavy mathematics and lengthy programming details digital image processing an algorithmic approach with matlab presents an easy methodology for learning the fundamentals of image processing the book applies the algorithms using matlab without bogging down students with syntactical and debugging issues one

*digital image processing an algorithmic introduction using java* - Aug 03 2022

web this textbook is an excellent introduction to the fundamentals of digital image processing it thoroughly blends basic theory and practical algorithms expressed in java and image it also provides a set of accessible exercises at the end of each chapter

**digital image processing an algorithmic approach** - Jun 13 2023

web jun 1 2018 the book now in its second edition continues to offer a balanced exposition of the basic principles and applications of image processing it lays considerable emphasis on the algorithmic

**principles of digital image processing core algorithms guide** - Jan 08 2023

web abstract this easy to follow textbook is the second of 3 volumes which provide a modern algorithmic introduction to digital image processing designed to be used both by learners desiring a firm foundation on which to build and practitioners in search of critical analysis and modern implementations of the most important techniques

digital image processing an algorithmic approach with matlab - Feb 26 2022

web oct 15 2009 request pdf on oct 15 2009 uvais qidwai and others published digital image processing an algorithmic approach with matlab find read and cite all the research you need on researchgate

**digital image processing an algorithmic approach with matlab chapman** - Jun 01 2022

web oct 15 2009 avoiding heavy mathematics and lengthy programming details digital image processing an algorithmic approach with matlab presents an easy methodology for learning the fundamentals of image processing the book applies the algorithms using matlab without bogging down students with syntactical and debugging issues

principles of digital image processing core algorithms - May 12 2023

web this updated and enhanced paperback edition of our comprehensive textbook digital image processing an algorithmic approach using java packages the original material into a series of compact volumes thereby supporting a flexible sequence of courses in digital image processing

*digital image processing wikipedia* - Apr 30 2022

web digital image processing is the use of a digital computer to process digital images through an algorithm 1 2 as a subcategory or field of digital signal processing digital image processing has many advantages over analog image processing

**digital image processing an algorithmic approach google books** - Jul 02 2022

web feb 28 2021 an introduction to the fundamental concepts and methodologies of image processing the book offers a balanced exposition of the basic principles and applications of image processing it emphasises the algorithmic approach in order to teach students how to write good practical programs for problem solving

**digital image processing an algorithmic approach with matlab** - Jul 14 2023

web avoiding heavy mathematics and lengthy programming details digital image processing an algorithmic approach with matlab presents an easy methodology for learning the fundamentals of image processing the book applies the algorithms using matlab without bogging down students with syntactical and debugging issues

**digital image processing a signal processing and algorithmic approach** - Jan 28 2022

web oct 12 2017 springer oct 12 2017 computers 468 pages this book offers readers an essential introduction to the fundamentals of digital image processing pursuing a signal processing and

**digital image processing an algorithmic approach with matlab** - Nov 06 2022

web oct 15 2009 using powerful matlab tools qidwai and chen present an algorithmic approach to digital image processing they cover topics in a simple yet precise style that will be useful to undergraduate students in engineering and the sciences

*digital image processing a signal processing and algorithmic approach* - Sep 04 2022

web this book offers readers an essential introduction to the fundamentals of digital image processing pursuing a signal processing and algorithmic approach it makes the fundamentals of digital image processing accessible and easy to learn

**la prison du papillon un ra c cit inspira c d une pdf full pdf** - Mar 19 2023

web jun 3 2023 la prison du papillon un ra c cit inspira c d une pdf getting the books la prison du papillon un ra c cit inspira c d une pdf now is not type of inspiring

**la prison du papillon un ra c cit inspira c d une book** - Mar 07 2022

web la prison du papillon un ra c cit inspira c d une la métamorphose du papillon transformez votre vie de l intérieur feb 17 2022 la métamorphose du papillon un

**la prison du papillon un ra c cit inspira c d une copy wrbb neu** - Jan 05 2022

web we find the money for la prison du papillon un ra c cit inspira c d une and numerous books collections from fictions to scientific research in any way along with them is this

*la prison du papillon un récit inspiré d une histoire vraie ebook* - Aug 24 2023

web un récit inspiré d une histoire vraie la prison du papillon samir farhat dr naji kozaily les lettres mouchetees des milliers de livres avec la livraison chez vous en 1 jour ou en magasin avec 5 de réduction samir farhat retranscrit ici l histoire bouleversante

**la prison du papillon un ra c cit inspira c d une** - Sep 13 2022

web la prison du papillon un ra c cit inspira c d une 1 la prison du papillon un ra c cit inspira c d une downloaded from cybersmash io by guest skylar aubree

**la prison du papillon un ra c cit inspira c d une pdf** - May 21 2023

web la prison du papillon un ra c cit inspira c d une downloaded from seminary fbny org by guest kade yoselin la prison du papillon lulu com the french revolts of may

la prison du papillon on apple books - Apr 20 2023

web mar 22 2016 samir farhat retranscrit ici l histoire bouleversante de hanan une des nombreuses victimes de la traite des enfants de nombreuses tragédies se déroulent

la prison du papillon un ra c cit inspira c d une ftp bonide - Dec 04 2021

web papillon d henri charrière fort dimanche fort la mort est de nos jours d une violence physique et psychologique presque insoutenable et encoré éprouvante tout e

*la prison du papillon un ra c cit inspira c d une pdf 2023* - Jun 10 2022

web may 31 2023 la prison du papillon un ra c cit inspira c d une pdf la prison du papillon un ra c cit inspira c d une pdf is within reach in our digital library an online

la prison du papillon un rã â cit inspirã â d une histoire vraie - Jan 17 2023

web la prison du papillon un rã â cit inspirã â d une histoire vraie by samir farhat dr naji kozaily samir farhat retranscrit ici l histoire bouleversante de hanan une des

**la prison du papillon un ra c cit inspira c d une unesco full** - Jun 22 2023

web merely said the la prison du papillon un ra c cit inspira c d une is universally compatible with any devices to read glossaire du patois normand louis franouis bois

**la prison du papillon un ra c cit inspira c d une pdf** - Nov 15 2022

web jun 27 2023 la prison du papillon un ra c cit inspira c d une pdf thank you categorically much for downloading la prison du papillon un ra c cit inspira c d

**la prison du papillon un ra c cit inspira c d une pdf 2023** - Nov 03 2021

web la prison du papillon un ra c cit inspira c d une pdf eventually you will categorically discover a further experience inspira c d une web la prison du papillon un ra c cit

**la prison du papillon un ra c cit inspira c d une pdf** - Jul 23 2023

web this is likewise one of the factors by obtaining the soft documents of this la prison du papillon un ra c cit inspira c d une by online you might not require more times to

**papillon film 2017 allociné** - Apr 08 2022

web synopsis henri charrière dit papillon malfrat de petite envergure des bas fonds du paris des années 30 est condamné à la prison à vie pour un meurtre qu il n a pas

**ebook la prison du papillon un ra c cit inspira c d une** - Dec 16 2022

web la prison du papillon un ra c cit inspira c d une proceedings of the royal society jan 15 2022 ceremonial romano serafico de los menores capuchinos de n s p

**la prison du papillon un ra c cit inspira c d une alphonse** - Oct 14 2022

web aug 1 2023 enough money la prison du papillon un ra c cit inspira c d une and numerous book collections from fictions to scientific research in any way in the midst

**la prison du papillon un ra c cit inspira c d une pdf pdf** - Oct 02 2021

web jun 29 2023 la prison du papillon un ra c cit inspira c d une pdf when somebody should go to the book stores search opening by shop shelf by shelf it is in point of it

**la prison du papillon un ra c cit inspira c d une copy ftp** - Jul 11 2022

web 2 la prison du papillon un ra c cit inspira c d une 2020 07 09 la prison du papillon un ra c cit inspira c d une downloaded from ftp fletcherframes co uk by guest

**free pdf download la prison du papillon un ra c cit inspira c** - Feb 18 2023

web la prison du papillon un ra c cit inspira c d une dictionnaire raisonne et universel des animaux ou le regne animal consistant en quadrupedes par m d l c d b ouvrage

*papillon film 1973 allociné* - May 09 2022

web henri papillon charrière un malfrat de petite envergure est jugé à tort pour un meurtre qu'il n'a pas commis celui-ci est condamné à vie dans une prison d'une colonie

**papillon izle film konusu oyunculari fragmani imdb netflix** - Feb 06 2022

web papillon haksız bir şekilde cinayetten hüküm giymiş olan henri charriere küçük suçlara bulaşmış olan bir adamdır fakat çarptırıldığı bu haksız ceza nedeniyle fransa da çok

*la prison du papillon un ra c cit inspira c d une pdf robert* - Aug 12 2022

web jul 7 2023 la prison du papillon un ra c cit inspira c d une pdf this is likewise one of the factors by obtaining the soft documents of this la prison du papillon un ra c cit