

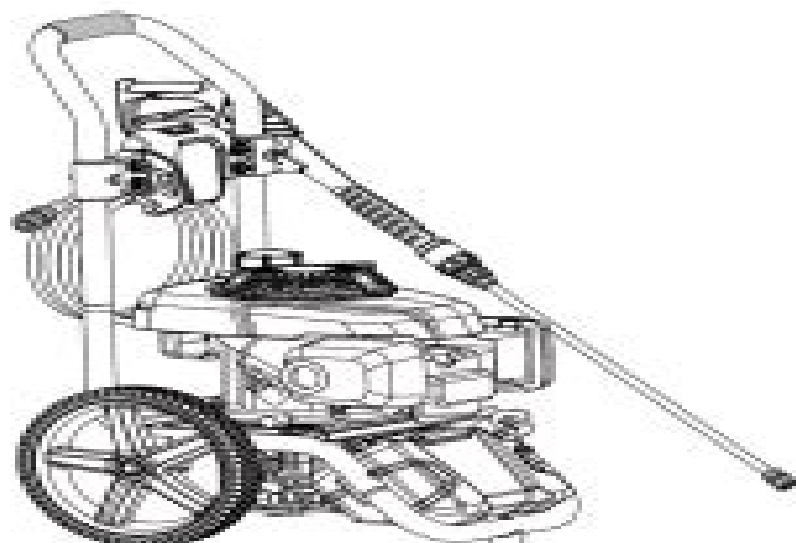
RYOBI

OPERATOR'S MANUAL

MANUEL D'UTILISATION
MANUAL DEL OPERADOR

2800 PSI PRESSURE WASHER

LAVEUSE À PRESSION DE 2 800 PSI
LAVADORA A PRESIÓN DE 2 800 PSI



REGISTER YOUR TOOLS
For a free registration card, please call
1-800-880-4050

RY802800

NOTICE AVIS AVISO

Do not use E15 or E85 fuel in this product. It is a violation of federal law and will damage the unit and void your warranty. Only use unleaded gasoline containing up to 10% ethanol.



Ne pas utiliser d'essence E15 ou E85 dans ce produit. Une telle utilisation représente une violation de la loi fédérale et endommagera l'appareil et annulera la garantie. Utilisez seulement de l'essence sans plomb ne contenant pas plus de 10 % d'éthanol.

No utilize combustibles E15 o E85 con este producto. Esto constituye una violación a la ley federal, dañará la unidad y anulará la garantía. Use únicamente gasolina sin plomo con un contenido de hasta 10 % de etanol.

TABLE OF CONTENTS

■ Important Safety Instructions.....	2
■ Specific Safety Rules.....	3
■ Symbols.....	4-5
■ Features.....	6
■ Assembly.....	7-8
■ Operation.....	9-13
■ Maintenance.....	13-15
■ Troubleshooting.....	16
■ Warranty.....	17
■ Parts Ordering / Service.....	Back Page



WARNING: To reduce the risk of injury, the user must read and understand the operator's manual before using this product.

**SAVE THIS MANUAL FOR
FUTURE REFERENCE**

TABLE DES MATIÈRES

■ Instructions importantes concernant la sécurité.....	2
■ Règles de sécurité particulières.....	3
■ Symboles.....	4-5
■ Caractéristiques.....	6
■ Assemblage.....	7-8
■ Utilisation.....	9-13
■ Entretien.....	13-15
■ Dépannage.....	16
■ Garantie.....	17
■ Commande de pièces / réparation.....	Page arrière



AVERTISSEMENT : Pour réduire les risques de blessures, l'utilisateur doit lire et saisir à bien comprendre le manuel d'utilisation avant d'employer ce produit.

**CONSERVER CE MANUEL
POUR FUTURE RÉFÉRENCE**

INDICE DE CONTENIDO

■ Instrucciones de seguridad importantes.....	2
■ Reglas de seguridad específicas.....	3
■ Símbolos.....	4-5
■ Características.....	6
■ Armado.....	7-8
■ Funcionamiento.....	9-13
■ Mantenimiento.....	13-15
■ Conexión de problemas.....	16
■ Garantía.....	17
■ Pedidos de piezas/ servicio.....	Pág. posterior



ADVERTENCIA: Para reducir el riesgo de lesiones, el usuario debe leer y comprender el manual del operador antes de usar este producto.

**GUARDE ESTE MANUAL
PARA FUTURAS CONSULTAS**

Ryobi 2800 Service Manual For Paper Deliver

F Rizvi



Ryobi 2800 Service Manual For Paper Deliver:

Fuel your quest for knowledge with is thought-provoking masterpiece, **Ryobi 2800 Service Manual For Paper Deliver** . This educational ebook, conveniently sized in PDF (PDF Size: *), is a gateway to personal growth and intellectual stimulation. Immerse yourself in the enriching content curated to cater to every eager mind. Download now and embark on a learning journey that promises to expand your horizons. .

https://crm.avenza.com/files/publication/index.jsp/Pioneer_Den_2600_Wiring_Instruction.pdf

Table of Contents Ryobi 2800 Service Manual For Paper Deliver

1. Understanding the eBook Ryobi 2800 Service Manual For Paper Deliver
 - The Rise of Digital Reading Ryobi 2800 Service Manual For Paper Deliver
 - Advantages of eBooks Over Traditional Books
2. Identifying Ryobi 2800 Service Manual For Paper Deliver
 - Exploring Different Genres
 - Considering Fiction vs. Non-Fiction
 - Determining Your Reading Goals
3. Choosing the Right eBook Platform
 - Popular eBook Platforms
 - Features to Look for in an Ryobi 2800 Service Manual For Paper Deliver
 - User-Friendly Interface
4. Exploring eBook Recommendations from Ryobi 2800 Service Manual For Paper Deliver
 - Personalized Recommendations
 - Ryobi 2800 Service Manual For Paper Deliver User Reviews and Ratings
 - Ryobi 2800 Service Manual For Paper Deliver and Bestseller Lists
5. Accessing Ryobi 2800 Service Manual For Paper Deliver Free and Paid eBooks
 - Ryobi 2800 Service Manual For Paper Deliver Public Domain eBooks
 - Ryobi 2800 Service Manual For Paper Deliver eBook Subscription Services
 - Ryobi 2800 Service Manual For Paper Deliver Budget-Friendly Options

6. Navigating Ryobi 2800 Service Manual For Paper Deliver eBook Formats
 - ePub, PDF, MOBI, and More
 - Ryobi 2800 Service Manual For Paper Deliver Compatibility with Devices
 - Ryobi 2800 Service Manual For Paper Deliver Enhanced eBook Features
7. Enhancing Your Reading Experience
 - Adjustable Fonts and Text Sizes of Ryobi 2800 Service Manual For Paper Deliver
 - Highlighting and Note-Taking Ryobi 2800 Service Manual For Paper Deliver
 - Interactive Elements Ryobi 2800 Service Manual For Paper Deliver
8. Staying Engaged with Ryobi 2800 Service Manual For Paper Deliver
 - Joining Online Reading Communities
 - Participating in Virtual Book Clubs
 - Following Authors and Publishers Ryobi 2800 Service Manual For Paper Deliver
9. Balancing eBooks and Physical Books Ryobi 2800 Service Manual For Paper Deliver
 - Benefits of a Digital Library
 - Creating a Diverse Reading Collection Ryobi 2800 Service Manual For Paper Deliver
10. Overcoming Reading Challenges
 - Dealing with Digital Eye Strain
 - Minimizing Distractions
 - Managing Screen Time
11. Cultivating a Reading Routine Ryobi 2800 Service Manual For Paper Deliver
 - Setting Reading Goals Ryobi 2800 Service Manual For Paper Deliver
 - Carving Out Dedicated Reading Time
12. Sourcing Reliable Information of Ryobi 2800 Service Manual For Paper Deliver
 - Fact-Checking eBook Content of Ryobi 2800 Service Manual For Paper Deliver
 - Distinguishing Credible Sources
13. Promoting Lifelong Learning
 - Utilizing eBooks for Skill Development
 - Exploring Educational eBooks
14. Embracing eBook Trends
 - Integration of Multimedia Elements

- Interactive and Gamified eBooks

Ryobi 2800 Service Manual For Paper Deliver Introduction

In this digital age, the convenience of accessing information at our fingertips has become a necessity. Whether its research papers, eBooks, or user manuals, PDF files have become the preferred format for sharing and reading documents. However, the cost associated with purchasing PDF files can sometimes be a barrier for many individuals and organizations. Thankfully, there are numerous websites and platforms that allow users to download free PDF files legally. In this article, we will explore some of the best platforms to download free PDFs. One of the most popular platforms to download free PDF files is Project Gutenberg. This online library offers over 60,000 free eBooks that are in the public domain. From classic literature to historical documents, Project Gutenberg provides a wide range of PDF files that can be downloaded and enjoyed on various devices. The website is user-friendly and allows users to search for specific titles or browse through different categories. Another reliable platform for downloading Ryobi 2800 Service Manual For Paper Deliver free PDF files is Open Library. With its vast collection of over 1 million eBooks, Open Library has something for every reader. The website offers a seamless experience by providing options to borrow or download PDF files. Users simply need to create a free account to access this treasure trove of knowledge. Open Library also allows users to contribute by uploading and sharing their own PDF files, making it a collaborative platform for book enthusiasts. For those interested in academic resources, there are websites dedicated to providing free PDFs of research papers and scientific articles. One such website is Academia.edu, which allows researchers and scholars to share their work with a global audience. Users can download PDF files of research papers, theses, and dissertations covering a wide range of subjects. Academia.edu also provides a platform for discussions and networking within the academic community. When it comes to downloading Ryobi 2800 Service Manual For Paper Deliver free PDF files of magazines, brochures, and catalogs, Issuu is a popular choice. This digital publishing platform hosts a vast collection of publications from around the world. Users can search for specific titles or explore various categories and genres. Issuu offers a seamless reading experience with its user-friendly interface and allows users to download PDF files for offline reading. Apart from dedicated platforms, search engines also play a crucial role in finding free PDF files. Google, for instance, has an advanced search feature that allows users to filter results by file type. By specifying the file type as "PDF," users can find websites that offer free PDF downloads on a specific topic. While downloading Ryobi 2800 Service Manual For Paper Deliver free PDF files is convenient, its important to note that copyright laws must be respected. Always ensure that the PDF files you download are legally available for free. Many authors and publishers voluntarily provide free PDF versions of their work, but its essential to be cautious and verify the authenticity of the source before downloading Ryobi 2800 Service Manual For Paper Deliver. In conclusion, the internet offers numerous platforms and websites that allow users to download

free PDF files legally. Whether its classic literature, research papers, or magazines, there is something for everyone. The platforms mentioned in this article, such as Project Gutenberg, Open Library, Academia.edu, and Issuu, provide access to a vast collection of PDF files. However, users should always be cautious and verify the legality of the source before downloading Ryobi 2800 Service Manual For Paper Deliver any PDF files. With these platforms, the world of PDF downloads is just a click away.

FAQs About Ryobi 2800 Service Manual For Paper Deliver Books

How do I know which eBook platform is the best for me? Finding the best eBook platform depends on your reading preferences and device compatibility. Research different platforms, read user reviews, and explore their features before making a choice. Are free eBooks of good quality? Yes, many reputable platforms offer high-quality free eBooks, including classics and public domain works. However, make sure to verify the source to ensure the eBook credibility. Can I read eBooks without an eReader? Absolutely! Most eBook platforms offer web-based readers or mobile apps that allow you to read eBooks on your computer, tablet, or smartphone. How do I avoid digital eye strain while reading eBooks? To prevent digital eye strain, take regular breaks, adjust the font size and background color, and ensure proper lighting while reading eBooks. What the advantage of interactive eBooks? Interactive eBooks incorporate multimedia elements, quizzes, and activities, enhancing the reader engagement and providing a more immersive learning experience. Ryobi 2800 Service Manual For Paper Deliver is one of the best book in our library for free trial. We provide copy of Ryobi 2800 Service Manual For Paper Deliver in digital format, so the resources that you find are reliable. There are also many Ebooks of related with Ryobi 2800 Service Manual For Paper Deliver. Where to download Ryobi 2800 Service Manual For Paper Deliver online for free? Are you looking for Ryobi 2800 Service Manual For Paper Deliver PDF? This is definitely going to save you time and cash in something you should think about.

Find Ryobi 2800 Service Manual For Paper Deliver :

~~pioneer den 2600 wiring instruction~~

~~**pioneer a 656 service manual**~~

~~**pigwick blunders the financial lizard english edition**~~

~~piracetam what is piracetam its uses benefits and best dosages~~

~~pioneer ceq mosfet 50wx4 manual nl~~

pipng and instrumentation diagram symbols

[picture this painting the women rsquo s movement](#)

pipefitters manual south africa

~~[piper pa 44 turbo n seminole maintenance service manual](#)~~

[pineapple coconut rum recipe](#)

[pioneer elite vsx 60 user manual](#)

[picture frame repair kit](#)

[pipng design manual valve height](#)

[piper pa 28 140 flight manual](#)

pilotstar d user manual

Ryobi 2800 Service Manual For Paper Deliver :

Jim Murray's Whisky Bible | Buy The Whiskey Bible & Whisky ... In 2003 Jim Murray trail-blazed again when he created, designed and wrote Jim Murray's Whisky Bible, the first ever annual guide to every new whisky produced in ... Jim Murray's Whisky Bible | Buy The Whiskey Bible & Whisky ... In 2003 Jim Murray trail-blazed again when he created, designed and wrote Jim Murray's Whisky Bible, the first ever annual guide to every new whisky produced in ... Sexism In Whisky: Why You Shouldn't Read The ... Sep 20, 2020 — The bestselling whisky book in the world, Jim Murray's Whisky Bible, has a serious sexism problem. Jim Murray (@jim_murray_whisky_bible) The World's Leading Whisky Guide #jimmurrayswhiskybible #Jimmurray #whiskybible ... Fire Hazard!! Jim takes time out from signing Whisky Bible orders to celebrate ... Jim Murray's Whisky Bible Jim Murray's Whisky Bible. 15476 likes · 141 talking about this · 1 was here. The world's leading whisky guide from the world's foremost whisky authority. Jim Murray (whisky writer) Jim Murray's Whisky Bible is an ongoing project, with the first of the series having been published in 2003. It is a compact guide containing every whisky that ... Jim Murray, a Top Whiskey Critic, Faces Accusations of ... Oct 1, 2020 — Schrieberg on Sept 17. He had seen one of the reviews from the latest edition of the “Whisky Bible,” in which Mr. Murray used overtly sexual ... Jim Murray's Whiskey Bible 2022: North American Edition The 4,700 whiskies included in this 2022 edition range from Scottish Single malts to Australian; from Canadian to Austrian. The whiskies from over 30 different ... Blended Whiskey - Jim Murray's Whisky Bible - Morton Williams New York fine wine and spirits. Independently owned and operated. OPEN 12/24 11am-6pm. CLOSED 12/25. 212-213-0021. Alfred's Essentials of Music Theory: Complete: Book The complete line of Alfred's Essentials of Music Theory includes Student Books, a Teacher's Answer Key, Ear-Training CDs, Double Bingo games, Flash Cards, ... Alfred's Essentials of Music Theory, Complete ... The complete line of Alfred's Essentials of Music Theory includes Student Books, a Teacher's Answer Key, Ear-

Training CDs, Double Bingo games, Flash Cards, ... Essentials of Music Theory By Andrew Surmani, Karen Farnum Surmani, and Morton Manus. Complete Book Alto Clef (Viola) Edition (Comb Bound). [] || False. Item: 00-18583. Alfred's Essentials of Music Theory: A ... - Amazon This practical, easy-to-use, self-study course is perfect for pianists, guitarists, instrumentalists, vocalists, songwriters, arrangers and composers, ... Alfred's Essentials of Music Theory: Complete - PianoWorks, Inc In this all-in-one theory course, you will learn the essentials of music through concise lessons, practice your music reading and writing skills in the ... Alfred's Essentials of Music Theory - Ear Training ... Alfred's Essentials of Music Theory - Ear Training Recordings Needed!! ... A Comprehensive Guide to Quartal Harmony on Guitar. 9 upvotes · 2 ... Alfred's Essentials of Music Theory Complete Edition In this all-in-one theory course, you will learn the essentials of music through concise lessons, practice your music reading and writing skills in the ... Alfred's Essentials of Music Theory: Complete / Edition 1 The complete line of Alfred's Essentials of Music Theory includes Student Books, a Teacher's Answer Key, Ear-Training CDs, Double Bingo games, Flash Cards, ... Alfred Essentials Of Music Theory: Complete (book/cd) In this all-in-one theory course, will learn the essentials of music through concise lessons, practice music reading and writing skills in the exercises, ... Il tempo, grande scultore: 9788806577605 Il tempo, grande scultore - Softcover. 4.07 avg rating • (323 ratings by Goodreads) ... Traduzione di Giuseppe Guglielmi. Numero pagine 212. Seller Inventory ... Il tempo, grande scultore - Marguerite Yourcenar Lunghezza stampa. 216 pagine · Lingua. Italiano · Editore. Einaudi · Data di pubblicazione. 18 aprile 2005 · Dimensioni. 12 x 1.2 x 19.5 cm · ISBN-10. 8806176838. Il tempo, grande scultore - Marguerite Yourcenar Lunghezza stampa. 214 pagine · Lingua. Italiano · Editore. Einaudi · Data di pubblicazione. 1 febbraio 1994 · ISBN-10. 8806134612 · ISBN-13. 978-8806134617. [PDF] Il Tempo, grande scultore Il Tempo, grande scultore · Marguerite Yourcenar, G. Guglielmi · Published 1994. Il Tempo, grande scultore - Marguerite Yourcenar Il Tempo, grande scultore - Marguerite Yourcenar · Traduzione di Giuseppe Guglielmi · Edizioni Einaudi · Saggistica · Pagg. 216 · ISBN · Prezzo € 10,00 · Un invito a ... Il tempo, grande scultore - Marguerite Yourcenar - Libro Il tempo, grande scultore ; di Marguerite Yourcenar (Autore) ; Giuseppe Guglielmi (Traduttore) ; LIBRO. Venditore: IBS ; Venditore: IBS ; Descrizione. Diciotto saggi ... Il tempo, grande scultore - Marguerite Yourcenar - Libro Nov 24, 2023 — Una scrittura in cui il gusto dell'erudito, l'intensità di taluni punti di osservazione privilegiati, una particolare attenzione al destino ... Giuseppe Guglielmi Pierre Boulez, Punti di riferimento; Raymond Queneau, Troppo buoni con le donne; Marguerite Yourcenar, Il tempo, grande scultore; Charles Baudelaire ... Il tempo, grande scultore - Marguerite Yourcenar Informazioni bibliografiche ; tradotto da, Giuseppe Guglielmi ; Edizione, 9 ; Editore, Einaudi, 2005 ; ISBN, 8806176838, 9788806176839 ; Lunghezza, 216 pagine.