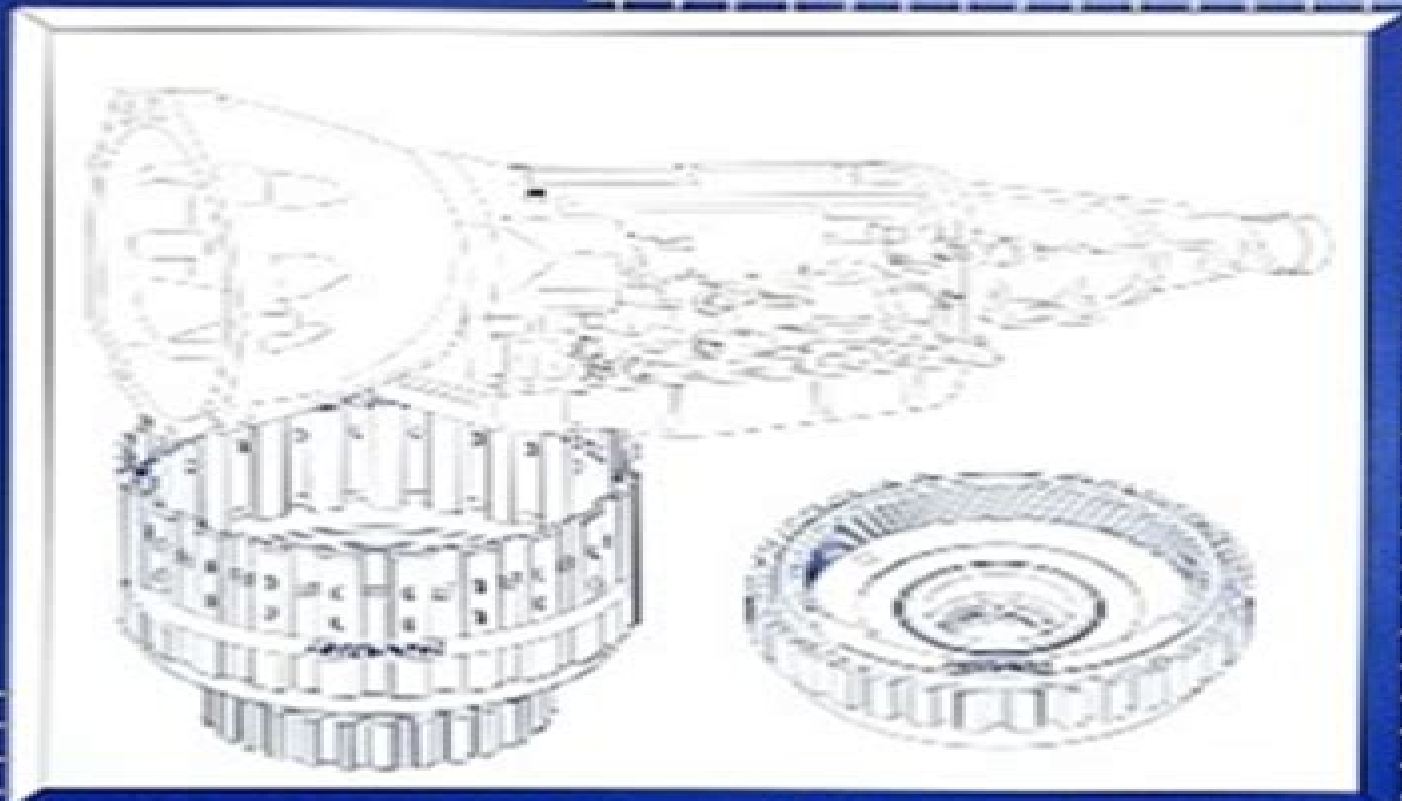




NISSAN
TECHTRAN™ MANUAL

**R
L
4
R
O
1
A**



AUTOMATIC TRANSMISSION SERVICE GROUP

Nissan Transmission Repair Manual

Chilton Automotive Books



Nissan Transmission Repair Manual:

Nissan Sentra and Pulsar Total Repair Manual: Complete Step-by-Step Guide for Cars from 1982 to 1992

Pasquale De Marco, 2025-04-16 Welcome to the ultimate guide to Nissan Sentra and Pulsar vehicles the Nissan Sentra and Pulsar Total Repair Manual This comprehensive manual is your go to resource for everything related to these iconic vehicles whether you re a professional mechanic a car enthusiast or a savvy car owner With this guide in hand you ll embark on a journey of understanding and mastery over your Nissan Sentra or Pulsar Dive into the depths of its engine transmission drivetrain steering suspension brakes tires electrical system body interior HVAC and safety systems We ve got you covered from basic maintenance to advanced troubleshooting and repairs Our team of expert mechanics has meticulously crafted this manual to provide you with step by step instructions detailed illustrations and expert troubleshooting advice We ve left no stone unturned ensuring that you have everything you need to keep your Nissan Sentra or Pulsar running smoothly and efficiently Gone are the days of expensive repair bills and the frustration of not knowing how to tackle car problems With the Nissan Sentra and Pulsar Total Repair Manual you ll become a confident and capable car owner equipped with the knowledge and skills to handle any repair or maintenance challenge that comes your way But that s not all This manual is more than just a repair guide it s a gateway to a deeper understanding of your Nissan Sentra or Pulsar Learn about its history different models and trim levels common problems and essential maintenance tips With this knowledge you ll be able to make informed decisions about your vehicle and keep it in top condition for years to come So whether you re a seasoned mechanic looking to expand your expertise or a car enthusiast eager to learn more about your Nissan Sentra or Pulsar this manual is your perfect companion Embrace the satisfaction of knowing that you can maintain and repair your vehicle like a true professional Get your copy of the Nissan Sentra and Pulsar Total Repair Manual today and unlock the secrets of these remarkable vehicles If you like this book write a review on google books

Nissan Maxima Automotive Repair Manual Ken Freund, John Harold Haynes, 1991 Nissan Maxima 1985-91 Shop Manual Haynes 304 pgs 730 ill

Nissan 240SX/Altima Repair Manual James R. Marotta, 1998

Popular Mechanics Complete Car Care Manual Popular Mechanics, 2008 Vehicle maintenance

How To Rebuild and Modify Your Manual Transmission Robert Bowen, This resource explains how to rebuild and modify transmissions from both rear and front wheel drive cars It explains the principles behind the workings of all manual transmissions and helps readers understand what they need to do and know to rebuild their own transmissions Includes how to determine what parts to replace how and why to replace certain seals spacers springs forks and other parts and where to find and how to measure the specifications for each particular transmission

Haynes Nissan, Datsun Sentra, 1982-90 P. G. Strasman, 1990

Nissan Pick-ups Rik Paul, Ken Freund, John Harold Haynes, 1993

Chilton's Auto Repair Manual, 1993 Each edition includes information for that year and several previous years

Chilton's Nissan Maxima 1985-92 Repair Manual, 1992

Motor Imported Car Repair

Manual ,1983 Chilton's Nissan Sentra, Pulsar, 1982-92 Repair Manual Chilton Automotive Books,1992 Covers all U S and Canadian models of Nissan Sentra and Pulsar **Nissan Owners Workshop Manual** P. G. Strasman,John Harold Haynes,1988 **Mastering CVT Transmission** Mohammed Hamed Ahmed Soliman, Mastering CVT Transmissions is your complete guide to understanding maintaining and repairing modern continuously variable transmissions CVTs Written by Dr Mohammed Hamed Ahmed Soliman an international expert in Lean Maintenance reliability and automotive systems this book combines deep technical knowledge with real world experience What you ll find inside Clear explanations of how CVTs work compared with manual automatic and dual clutch DCT systems Preventive predictive and corrective maintenance practices to extend transmission life Hands on procedures for fluid care filters diagnostics and full rebuilds Real case studies drawn from practical repair and teaching experience OBD based troubleshooting methods and failure prevention strategies Tables charts and appendices with essential specifications and capacities Why this book is different Dr Soliman not only studied CVTs academically but has rebuilt Nissan CVT units personally applying industrial best practices such as predictive maintenance infrared thermography vibration analysis oil condition monitoring and Lean principles His international career in manufacturing reliability engineering and automotive maintenance gives this book a unique blend of theory and practice Also by the author Dr Soliman has written several bestselling books in maintenance and reliability including Autonomous Car Maintenance Industrial Applications of Infrared Thermography Vibration Basics and Machine Reliability Simplified The Complete FMEA Handbook AI in Maintenance Reliability Machinery Oil Analysis Condition Monitoring Lean Maintenance Ultrasound Analysis for Condition Monitoring Maintenance Strategy Optimization Whether you are a driver mechanic or engineer this book equips you with the knowledge tools and confidence to master CVTs from everyday care to advanced diagnostics and rebuilds **Gale's Auto Sourcebook** ,1992 Guide to information on cars and light trucks Fundamentals of Automotive Maintenance and Light Repair Kirk VanGelder,2019-01-21 Designed to prepare new technicians for ASE G1 Certification Fundamentals of Automotive Maintenance and Light Repair Second Edition covers the foundational theory and skills necessary to prepare entry level technicians to maintain and repair today s light duty vehicles *Popular Mechanics* ,1985-03 Popular Mechanics inspires instructs and influences readers to help them master the modern world Whether it s practical DIY home improvement tips gadgets and digital technology information on the newest cars or the latest breakthroughs in science PM is the ultimate guide to our high tech lifestyle Chilton's Truck and Van Repair Manual ,1978 Presents removal and installation procedures and on truck adjustments for repairing older model trucks or vans The Electric Vehicle Conversion Handbook HP1568 Mark Warner,2011-06-07 A guide on how to convert any gas or diesel powered vehicle to electric power Includes ownership advantages basic EV operation subsystems components basic EV operation project vehicles and conversion kits **Chilton's Truck and Van Repair Manual 1982-88** Chilton Automotive Books,1988-03 **Operator's, Organizational, Direct Support and General Support Maintenance Manual Including**

(repair Parts and Special Tools List) ,1985

Recognizing the artifice ways to get this books **Nissan Transmission Repair Manual** is additionally useful. You have remained in right site to start getting this info. acquire the Nissan Transmission Repair Manual associate that we meet the expense of here and check out the link.

You could buy guide Nissan Transmission Repair Manual or acquire it as soon as feasible. You could speedily download this Nissan Transmission Repair Manual after getting deal. So, considering you require the book swiftly, you can straight get it. Its suitably definitely simple and thus fats, isnt it? You have to favor to in this make public

<https://crm.avenza.com/files/virtual-library/HomePages/Ontario%20Refrigeration%20Aptitude%20Test%20Study%20Guide.pdf>

Table of Contents Nissan Transmission Repair Manual

1. Understanding the eBook Nissan Transmission Repair Manual
 - The Rise of Digital Reading Nissan Transmission Repair Manual
 - Advantages of eBooks Over Traditional Books
2. Identifying Nissan Transmission Repair Manual
 - Exploring Different Genres
 - Considering Fiction vs. Non-Fiction
 - Determining Your Reading Goals
3. Choosing the Right eBook Platform
 - Popular eBook Platforms
 - Features to Look for in an Nissan Transmission Repair Manual
 - User-Friendly Interface
4. Exploring eBook Recommendations from Nissan Transmission Repair Manual
 - Personalized Recommendations
 - Nissan Transmission Repair Manual User Reviews and Ratings
 - Nissan Transmission Repair Manual and Bestseller Lists

5. Accessing Nissan Transmission Repair Manual Free and Paid eBooks
 - Nissan Transmission Repair Manual Public Domain eBooks
 - Nissan Transmission Repair Manual eBook Subscription Services
 - Nissan Transmission Repair Manual Budget-Friendly Options
6. Navigating Nissan Transmission Repair Manual eBook Formats
 - ePub, PDF, MOBI, and More
 - Nissan Transmission Repair Manual Compatibility with Devices
 - Nissan Transmission Repair Manual Enhanced eBook Features
7. Enhancing Your Reading Experience
 - Adjustable Fonts and Text Sizes of Nissan Transmission Repair Manual
 - Highlighting and Note-Taking Nissan Transmission Repair Manual
 - Interactive Elements Nissan Transmission Repair Manual
8. Staying Engaged with Nissan Transmission Repair Manual
 - Joining Online Reading Communities
 - Participating in Virtual Book Clubs
 - Following Authors and Publishers Nissan Transmission Repair Manual
9. Balancing eBooks and Physical Books Nissan Transmission Repair Manual
 - Benefits of a Digital Library
 - Creating a Diverse Reading Collection Nissan Transmission Repair Manual
10. Overcoming Reading Challenges
 - Dealing with Digital Eye Strain
 - Minimizing Distractions
 - Managing Screen Time
11. Cultivating a Reading Routine Nissan Transmission Repair Manual
 - Setting Reading Goals Nissan Transmission Repair Manual
 - Carving Out Dedicated Reading Time
12. Sourcing Reliable Information of Nissan Transmission Repair Manual
 - Fact-Checking eBook Content of Nissan Transmission Repair Manual
 - Distinguishing Credible Sources
13. Promoting Lifelong Learning

- Utilizing eBooks for Skill Development
 - Exploring Educational eBooks
14. Embracing eBook Trends
- Integration of Multimedia Elements
 - Interactive and Gamified eBooks

Nissan Transmission Repair Manual Introduction

In the digital age, access to information has become easier than ever before. The ability to download Nissan Transmission Repair Manual has revolutionized the way we consume written content. Whether you are a student looking for course material, an avid reader searching for your next favorite book, or a professional seeking research papers, the option to download Nissan Transmission Repair Manual has opened up a world of possibilities. Downloading Nissan Transmission Repair Manual provides numerous advantages over physical copies of books and documents. Firstly, it is incredibly convenient. Gone are the days of carrying around heavy textbooks or bulky folders filled with papers. With the click of a button, you can gain immediate access to valuable resources on any device. This convenience allows for efficient studying, researching, and reading on the go. Moreover, the cost-effective nature of downloading Nissan Transmission Repair Manual has democratized knowledge. Traditional books and academic journals can be expensive, making it difficult for individuals with limited financial resources to access information. By offering free PDF downloads, publishers and authors are enabling a wider audience to benefit from their work. This inclusivity promotes equal opportunities for learning and personal growth. There are numerous websites and platforms where individuals can download Nissan Transmission Repair Manual. These websites range from academic databases offering research papers and journals to online libraries with an expansive collection of books from various genres. Many authors and publishers also upload their work to specific websites, granting readers access to their content without any charge. These platforms not only provide access to existing literature but also serve as an excellent platform for undiscovered authors to share their work with the world. However, it is essential to be cautious while downloading Nissan Transmission Repair Manual. Some websites may offer pirated or illegally obtained copies of copyrighted material. Engaging in such activities not only violates copyright laws but also undermines the efforts of authors, publishers, and researchers. To ensure ethical downloading, it is advisable to utilize reputable websites that prioritize the legal distribution of content. When downloading Nissan Transmission Repair Manual, users should also consider the potential security risks associated with online platforms. Malicious actors may exploit vulnerabilities in unprotected websites to distribute malware or steal personal information. To protect themselves, individuals should ensure their devices have reliable antivirus software installed and validate the legitimacy of the websites they are downloading from.

In conclusion, the ability to download Nissan Transmission Repair Manual has transformed the way we access information. With the convenience, cost-effectiveness, and accessibility it offers, free PDF downloads have become a popular choice for students, researchers, and book lovers worldwide. However, it is crucial to engage in ethical downloading practices and prioritize personal security when utilizing online platforms. By doing so, individuals can make the most of the vast array of free PDF resources available and embark on a journey of continuous learning and intellectual growth.

FAQs About Nissan Transmission Repair Manual Books

What is a Nissan Transmission Repair Manual PDF? A PDF (Portable Document Format) is a file format developed by Adobe that preserves the layout and formatting of a document, regardless of the software, hardware, or operating system used to view or print it. **How do I create a Nissan Transmission Repair Manual PDF?** There are several ways to create a PDF: Use software like Adobe Acrobat, Microsoft Word, or Google Docs, which often have built-in PDF creation tools. Print to PDF: Many applications and operating systems have a "Print to PDF" option that allows you to save a document as a PDF file instead of printing it on paper. Online converters: There are various online tools that can convert different file types to PDF. **How do I edit a Nissan Transmission Repair Manual PDF?** Editing a PDF can be done with software like Adobe Acrobat, which allows direct editing of text, images, and other elements within the PDF. Some free tools, like PDFescape or Smallpdf, also offer basic editing capabilities. **How do I convert a Nissan Transmission Repair Manual PDF to another file format?** There are multiple ways to convert a PDF to another format: Use online converters like Smallpdf, Zamzar, or Adobe Acrobat's export feature to convert PDFs to formats like Word, Excel, JPEG, etc. Software like Adobe Acrobat, Microsoft Word, or other PDF editors may have options to export or save PDFs in different formats. **How do I password-protect a Nissan Transmission Repair Manual PDF?** Most PDF editing software allows you to add password protection. In Adobe Acrobat, for instance, you can go to "File" -> "Properties" -> "Security" to set a password to restrict access or editing capabilities. Are there any free alternatives to Adobe Acrobat for working with PDFs? Yes, there are many free alternatives for working with PDFs, such as: LibreOffice: Offers PDF editing features. PDFsam: Allows splitting, merging, and editing PDFs. Foxit Reader: Provides basic PDF viewing and editing capabilities. How do I compress a PDF file? You can use online tools like Smallpdf, ILovePDF, or desktop software like Adobe Acrobat to compress PDF files without significant quality loss. Compression reduces the file size, making it easier to share and download. Can I fill out forms in a PDF file? Yes, most PDF viewers/editors like Adobe Acrobat, Preview (on Mac), or various online tools allow you to fill out forms in PDF files by selecting text fields and entering information. Are there any restrictions when working with PDFs? Some PDFs might have restrictions set by their creator, such as password protection, editing restrictions, or print restrictions. Breaking these

restrictions might require specific software or tools, which may or may not be legal depending on the circumstances and local laws.

Find Nissan Transmission Repair Manual :

~~ontario refrigeration aptitude test study guide~~

~~open channel flow lab manual~~

opel monza owners manual

opel astra users manual

~~openstax college physics solutions manual~~

open kenmore ultra wash dishwasher manual

~~opel vectra c gm maf sensor~~

open house four murders and a funeral joe costa volume 5

operamini untuk nokia xspress

~~onkyo tx 10user guide~~

only in l a a ben crandel mystery book 2

opel vectra 1997 manual

~~ontario reciprocal program 2015~~

opel astra coupe 1994 manual

onkyo tx sr702 manual

Nissan Transmission Repair Manual :

sound guy sfx machine pro v1 5 win x64 audio tools - Aug 12 2022

web note that sfx machine pro is 32 and 64 bit compatible if you already own sfx machine rt the latest version is a free

upgrade just download it from the downloads page we

sfx machine pro download 4shared keegan becker - Feb 06 2022

sfx machine pro by the sound guy kvr audio - Jul 23 2023

web sfx machine pro audio unit and vst plugins for mac os x and windows sfx machine pro sfx machine pro for rtas sfx machine rt and backwards machine

1 1 x software user s guide sfxmachine com - Jan 17 2023

web aug 5 2015 sfx machine pro is designed for use in the audio industry and is used for sound design on radio television cinema and video games since sfx machine pro

[to authorize and install sfx machine pro to get your](#) - Apr 08 2022

web sep 18 2023 sims 4 pets download rar skateboard maker game rar download all files from this folder sfx machine pro rar file qr code 4shared is a perfect place to store

sfx machine rt - Jun 10 2022

web in sfx machine pro click the authorize button then enter the authorization code you received at this point the plug in should tell you that the software is now authorized 4

software have any of you tried out sfx machine pro sound - May 09 2022

web sfx machine pro is the latest and most advanced entry in the award winning sfx machine family of audio multi effects plug ins it comes with over 300 effects including more than

[sfx machine pro free download and software reviews cnet](#) - Mar 19 2023

web sfx machine pro is the advanced version of the sfx machine rt audio multi effects plug in like its forerunners sfx machine and sfx machine rt sfx machine pro

sfx machine pro v1 1 5 for windows 7 vista xp hitsquad - Mar 07 2022

web may 8 2012 sfx machine pro is the latest and most advanced entry in the award winning sfx machine family of audio multi effects plug ins it comes with over 300 effects

sfx machine pro free version download for mac os x - Oct 14 2022

web jan 23 2019 sfx machine pro is the latest and most advanced entry in the award winning sfx machine family of audio effects plug ins it comes with over 300 effects

sfx machine pro for windows cnet download - May 21 2023

web sfx machine pro is the latest and most advanced entry in the award winning sfx machine family it comes with over 300 effects including more than 50 new effects in addition

[sfx machine pro demo youtube](#) - Jul 11 2022

web audio midi com is having one of their no brainer deals right now and it s for this sfx machine pro plugin for 87 off it s only 20 but i m between gigs at the moment and

vst audio unit and rtas plug ins audio effects sfx machine - Jun 22 2023

web sfx machine pro is a modular vst audio unit audio effects plug in it comes with over 300 effects and lets users create their own effects from scratch

[the sound guy releases sfx machine pro for windows vst 64](#) - Feb 18 2023

web may 22 2013 sfx machine a flexible multi effects and sound design tool will now work with 64 bit vst host programs sfx machine pro provides quick and easy access to

[sfx machine pro v1 1 5 for macintosh os x](#) - Jan 05 2022

[the sound guy sfx machine pro review musicradar](#) - Apr 20 2023

web may 17 2013 kvr audio news the sound guy has announced the release of a 64 bit compatible version of sfx machine pro for windows the flexible multi effects and

[sfx machine pro for windows vst 64 bit version](#) - Dec 16 2022

web sep 16 2023 sfx machine pro is the latest and most advanced entry in the award winning sfx machine family of audio effects plug ins it comes with over 300 effects

[sfx machine pro demo by pete boxsta martin youtube](#) - Sep 13 2022

web 2 06k subscribers 15 14k views 12 years ago www homerecordingweekly com homerecordingweekly blogspot c the awesome sfx machine pro from the

sfx machine pro for os x and windows vst plugins audio - Aug 24 2023

web sfx machine pro is the latest and most advanced member of the award winning sfx machine family of audio multi effects plug ins for windows and os x universal the new

sfx machine pro is the latest and most advanced multi effect - Nov 15 2022

web producer songwriter pete boxsta martin gives a demo of the sfx machine pro audio multi effects plug in and explains how he uses it in his music for more in

headway elementary culture literature companion - Jun 14 2023

web binding paperback dimensions 276x219 mm discover a wide variety of interesting texts relating to the culture and literature of the english speaking world including the uk the us australia and the caribbean the culture texts

[headway elementary culture literature companion](#) - Feb 27 2022

web dec 30 2021 headway elementary culture literature companion updated with new texts topics and themes headway 5th edition provides fresh and relevant english instruction that is tailored to your students needs

new headway culture elementary pdf vdocuments net - Apr 12 2023

web dec 26 2015 new headway elementary culture and literature companion teacher s guide 1 elementary 1countries in the uk backgroundthe history of the formation of the united kingdom is quite complex wales became legally a part of england in the 16th century and great britain was formed in 1707 when scotland became united with

[new headway culture and literature companion answers pdf](#) - Jun 02 2022

web apr 20 2023 new headway culture and literature companion answers 1 8 downloaded from uniport edu ng on april 20 2023 by guest new headway culture and literature companion answers yeah reviewing a book new headway culture and literature companion answers could increase your near connections listings this is just one of

new headway culture and literature companion answers - Jan 09 2023

web chosen novels like this new headway culture and literature companion answers but end up in infectious downloads rather than reading a good book with a cup of coffee in the afternoon instead they are facing with some malicious virus inside their computer new headway culture and literature companion answers is available in our digital library

headway 5th edition pre intermediate culture and literature companion - Mar 11 2023

web answers 1 his message is usually anti war 2 he also opened a temporary exhibition called dismland in 2015 3 he takes what s already there in the street and turns it into something unexpected 4 road markings we see every day leave the street and turn into something new headway culture and literature companion teacher s guide

[new headway culture and literature companion answers](#) - May 01 2022

web new headway culture and literature companion answers you don t have to be complicit in our culture of destruction the new york times dec 26 2018 you don t have to be complicit in our culture of destruction the new york times are we really making headway in holding corporate villains to financial times jan 08 2015

headway intermediate culture and literature companion - Jul 15 2023

web with this new headway companion discover a wide variety of interesting texts relating to the culture and literature of the english speaking world the culture texts range from geography and tourism to history and sociology the literature texts include poems and extracts from novels

[new headway culture and literature companion answers copy](#) - Dec 28 2021

web nov 23 2022 new headway culture and literature companion answers 2 6 downloaded from 198 58 106 42 on november 23 2022 by guest potent weapons of war and adventured on sea and land to conquer and decimate preliterate cultures a major advance in our understanding of human societies guns germs and steel chronicles

new headway culture and literature companion answers - Sep 05 2022

web new headway culture and literature companion answers 3 3 new headway culture and literature companion answers downloaded from dev2 bryanu e du by guest bautista hailey headway oup oxford this sophisticated book argues that human rights literature both helps the persecuted to cope with their trauma and serves as the

new headway culture and literature companion answers pdf - Jul 03 2022

web jun 21 2023 new headway culture and literature companion answers 1 7 downloaded from uniport edu ng on june 21

2023 by guest new headway culture and literature companion answers when people should go to the books stores search instigation by shop shelf by shelf it is in point of fact problematic this is why we offer the books

headway 5ed intermediate culture and literature companion - Dec 08 2022

web answers 4 put students in pairs to discuss their answers before going 1 a in traveler an antique land a in and sands through the answers as a class 2 legs of stone stand sneer of cold command boundless and bare lone and level sands

headway teacher s site teaching resources oxford - Feb 10 2023

web headway 5th edition culture and literature companions download the headway 5th edition culture and literature companions audio files and teacher s guides headway digital gold b1 build up to headway pre intermediate audio zip 69 mb headway fourth edition video scripts

new headway culture and literature companion answers - Nov 07 2022

web merely said the new headway culture and literature companion answers is universally compatible with any devices to read democracy and education john dewey 1916 renewal of life by transmission the most notable distinction between living and inanimate things is that the former maintain themselves by renewal a stone when struck

new headway elementary culture literature companion - Jan 29 2022

web sep 14 2014 main page coursebooks new headway elementary culture literature companion new headway elementary culture literature companion published by stratobird karma 129 81 on 14 september 2014 views 7556

new headway culture and literature companion answers pdf - Aug 04 2022

web jun 30 2023 this new headway culture and literature companion answers as one of the most in action sellers here will completely be accompanied by the best options to review new headway pre intermediate culture literature companion christopher barker

new headway culture and literature companion answers copy - Mar 31 2022

web aug 18 2023 right here we have countless book new headway culture and literature companion answers and collections to check out we additionally pay for variant types and afterward type of the books to browse the up to standard book fiction history novel scientific research as competently as various further sorts of books are readily

headway culture and literature companions oxford university - Aug 16 2023

web headway culture and literature companions download teacher s guides pdfs for the elementary pre intermediate intermediate and upper intermediate culture and literature companions elementary pdf 3 31 mb

culture and literature companion intermediate teacher s - May 13 2023

web new headway intermediate culture and literature companion teacher s guide 18 copyright oxford university press intermediate 12b 6 ask students to read the diary entries again and answer the questions

[headway preintermediate culture literature companion pdf](#) - Oct 06 2022

web headway preintermediate culture literature companion free download as pdf file pdf or read online for free headway

icho2022 - Oct 03 2022

web the on the evening of july 18th cst the 54th international chemistry olympiad icho2022 closed at nankai university in tianjin after nine days of fierce competition among the 326 participants from 84 countries and regions around the world 36 gold medals 71 silver medals and 103 bronze medals were awarded

sample problems and solutions theory and problems for chemistry olympiad - Aug 01 2022

web abstract in this chapter we present 8 practice problems to test your knowledge after reading through the book these problems were set such that they constitute a sample international chemistry olympiad icho competition paper the questions cover all the major areas of chemistry from physical to inorganic and finally organic chemistry

chinese chemical society - Jun 30 2022

web the ccs has always valued chemical education and the dissemination of chemical knowledge the society plays an important role in standardizing the chinese chemical terminology the chinese chemistry olympiad held by ccs each year attracts over 170 000 high school students

[chinese chemistry olympiad problems cyberlab sutd edu sg](#) - Nov 04 2022

web chinese chemistry olympiad problems a second step to mathematical olympiad problems apr 27 2021 the international mathematical olympiad imo is an annual international mathematics competition held for pre collegiate students it is also the oldest of the international science olympiads and competition for places is particularly fierce

2012 chinese chemistry olympiad massachusetts institute of - Oct 15 2023

web problem 1 7 1 1 aqueous ammonia of appropriate concentration is added dropwise to the aqueous solution of zinc sulfate to an excess and two main reactions occur briefly describe the experimental phenomena and write the ion equation for the two step main reaction

the 34th chinese chemistry olympiad final hangzhou - Mar 08 2023

web nov 23 2020 news the 34th chinese chemistry olympiad final hangzhou november 23 2020 during 15 18 november 2020 the 34 th chinese chemistry olympiad final was held in hangzhou china the final event was jointly organized by zhejiang association for science and technology zhejiang university and zhejiang chemical society

china physics olympiad problems pdf cyberlab sutd edu sg - Feb 24 2022

web apr 19 2023 competitive physics mechanics and waves jul 03 2023 written by a former olympiad student wang jinhui and a physics olympiad national trainer bernard ricardo competitive physics delves into the art of solving challenging physics puzzles

[introduction to the chinese chemistry olympiad](#) - Sep 14 2023

web you may be amazed by the fantastic performance of the china team in the international chemistry olympiad and wonder how they can do so well in the competition the detailed performance of the china team in icho could be

theory and problems for chemistry olympiad - Feb 07 2023

web this study guide for the chemistry olympiad contains summarized concepts and examples in all areas of chemistry the chapters are arranged in a logical manner and establishes connections between concepts

[read free chinesechemistryolympiadproblems](#) - Dec 05 2022

web theory and problems for chemistry olympiad challenging concepts in chemistry aug 05 2023 this study guide for the chemistry olympiad contains summarized concepts and examples in all areas of chemistry the chapters are arranged in a logical manner and establishes connections between concepts

the 54th icho preparatory problems have been released - Jul 12 2023

web 2022 03 01 as of february 23 2022 the scientific committee of icho2022 china has completed the distribution of preparatory problems and solutions to all the national contacts of participating

problem analysis for the 32nd chinese chemistry olympiad - Aug 13 2023

web the problems in the final test of the 32nd chinese chemistry olympiad were resolved the problem solving techniques and calculations were developed and the background and bibliography involved were also provided key words chinese chemistry olympiad problem analysis

chinese chemistry olympiad problems ai classmonitor com - May 30 2022

web chinese chemistry olympiad problems 1 chinese chemistry olympiad problems 42nd international chemistry olympiad problem results chinese chemistry olympiad science bee chemistry evan chen problems where can i find national problems for the chemistry olympiad chinese chemistry olympiad problems chinese physics

chinese chemistry olympiad science bee chemistry - May 10 2023

web chinese chemistry olympiad chinese 中国化学奥林匹克竞赛 is an annual academic competition held by chinese chemical society cas changed its official chinese name in february 2014 though its english translation remains the same

icho - Jan 06 2023

web jul 14 2019 it can be contacted at sc ichosc org with general queries about the olympiad please make sure before writing that your questions are not answered on this page you may visit the icho information center if you are interested in the problems and the history of the international chemistry olympiads

2012 chinese chemistry olympiad massachusetts institute of technology - Jun 11 2023

web ccho local 2012 solutions problem 3 10 aqueous solutions of CuSO_4 can react with $\text{K}_2\text{C}_2\text{O}_4$ to form a blue crystal of

unknown composition the formula of the crystal was determined by the following experiments

chemistry olympiad problem solutions for fine chemical chinese - Mar 28 2022

web jan 1 2000 select the department you want to search in

[chinese chemistry olympiad wikiwand](#) - Sep 02 2022

web from wikipedia the free encyclopedia chinese chemistry olympiad chinese 中国化学奥林匹克竞赛 is an annual academic competition held by chinese chemical society cas changed its official chinese name in february 2014 though its

china takes home the top 3 golds in 54th international chemistry olympiad - Apr 28 2022

web jul 19 2022 high school students from china earned the top three gold medals in the 54th international chemistry olympiad icho which was hosted remotely from tianjin july 10 18 the us team was awarded

chinese chemistry olympiad wikipedia - Apr 09 2023

web it is considered to be the most difficult chemistry exam throughout the world by whom the difficulty of final round is much harder than icho the difficulty of the preliminary round is often enough to surpass icho also its problems are often beyond the abilities of an overwhelming majority of undergraduates