

ENGINE MECHANICAL - EM

ZD30DDTi Intake Manifold

The Intake Manifold as shown right is mounted on the RH side of the Cylinder Head.

An electrically operated Air Intake Control Valve is utilised & the Swirl Valves have been incorporated inside the intake manifold.

Electric Throttle Control Actuator;

On the previous ZD engine as well as the non DPF YD25 engine, the Air Intake Control valve was vacuum controlled. Now on the new ZD30 CRD engine, the valve has the same purpose as previous, however it is electrically operated. Its operation is very much the same as a ETC unit found on many petrol engines.

The Throttle valve is fully opened when the engine is running. The valve is closed only to perform smooth engine stop when the ignition switch is turned OFF. A feedback sensor (Throttle Position Sensor – TPS) is also installed to ensure the ECM can detect the throttle plates position.

(Vacuum operated) Swirl Valves;

The swirl control valve is installed inside the manifold assembly. While idling and during low engine speed operation, the swirl control valve closes, thus the velocity of the air in the intake passage increases to produce a swirl (rush of air to promote cleaner burning when the fuel is injected into the air) into the combustion chamber. Once the engine speed increases to a certain speed, the valves open to allow more air to enter the engine. Further information regarding the components shown right can be found in section EM & EC of the Service Manual.

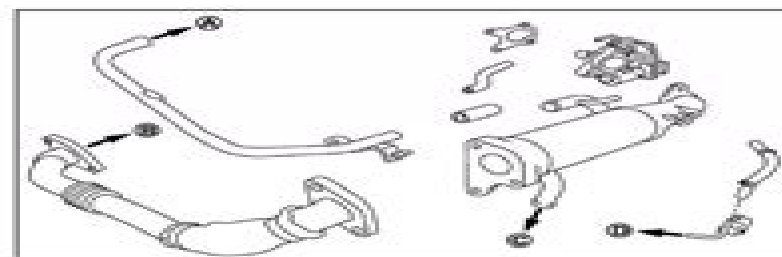
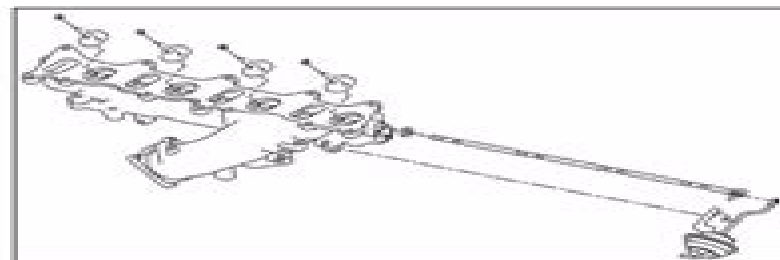
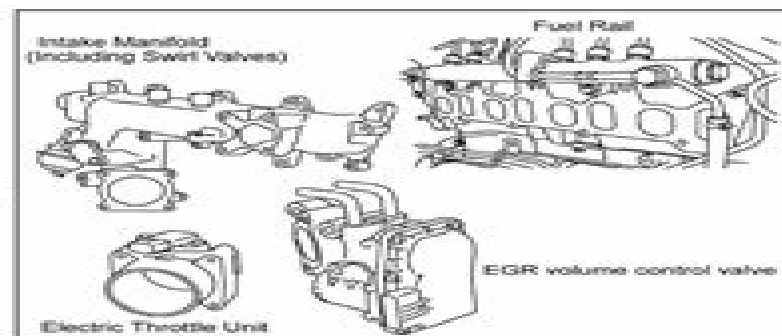
ZD30DDTi Exhaust Gas Recirculation (EGR) System

Major changes have occurred with the EGR system on the new ZD30 CRD engine.

The EGR volume control valve continues to be electrically controlled by the ECM, however it has a throttle valve arrangement & works in a similar way to an ETC unit found on current petrol engines.

The Pipe linking the exhaust manifold to the EGR control valve assembly is also water cooled as it is on R51 / D40 YD25 A/T models.

Further information regarding the components shown right can be found in section EM & EC of the Service Manual.



Nissan Zd30 Workshop Manual

Peipei Pang



Nissan Zd30 Workshop Manual:

Nissan Patrol 1998 to 2009 Vehicle Repair Manual Max Ellery,2009-12-15 Nissan Patrol 1998 to 2009 Diesel and Petrol Gasoline Engines including Turbo with World Wide Spec s This manual has over 500 pages It has step by step instructions in every chapter Covering both model produced the Station Wagons and tray models Engine chapters The book covers all diesel engines RD28 TD42 and ZD30 including the common rail engine turbocharged engines are covered All petrol gasoline engines TB42 TB45 and TB48 the TB42 was an option in some countries in the first few years of production Chapters are full of step by step instructions plus plenty of photographs and line illustrations to give the reader explicit detail suitable for everyone regardless of whether you require minor engine work or a major rebuild *Nissan Owners Workshop Manual* P. G. Strasman,1991 *Nissan Patrol 1998 to 2009 Vehicle Repair Manual* Max Ellery,2009-12-15 Nissan Patrol 1998 to 2009 Diesel and Petrol Gasoline Engines including Turbo with World Wide Spec s This manual has over 500 pages It has step by step instructions in every chapter Covering both model produced the Station Wagons and tray models Engine chapters The book covers all diesel engines RD28 TD42 and ZD30 including the common rail engine turbocharged engines are covered All petrol gasoline engines TB42 TB45 and TB48 the TB42 was an option in some countries in the first few years of production Chapters are full of step by step instructions plus plenty of photographs and line illustrations to give the reader explicit detail suitable for everyone regardless of whether you require minor engine work or a major rebuild *Nissan Owners Workshop Manual* Peter G. Strasman,1986 **Nissan Owners Workshop Manual** P. G. Strasman,John Harold Haynes,1988 **Nissan Patrol Automotive Repair Manual** Geoff Wilson,John Harold Haynes,2014-08-15 This is a maintenance repair manual for the Nissan Patrol **Nissan Sunny Owners Workshop Manual** Ian Coomber,1991 **Nissan/Datsun Cherry (N12) Sept. 1982 to 1986 All Models (987cc, 1269cc, 1488cc)** A. K. Legg,1990 Patrol, GU Series, ZD30 Turbo Diesel Engine Les Garam,Jonathan Eagleton,2002 Nissan Diesel Engine Repair Manual Model UD63 ,1976* Nissan Stanza Owners Workshop Manual Peter G. Strasman,1986 *Nissan Almera and Tino Owner's Workshop Manual* ,2016-04 Nissan/Datsun Stanza P. G. Strasman,John Harold Haynes,1989 *Nissan Patrol and Ford Maverick Australian Automotive Repair Manual* Tim Imhoff,John Harold Haynes,2001-01-01 Nissan Patrol Series GQ 3 0 4 2 petrol 4 2 diesel Ford Maverick Series DA Petrol diesel models Does NOT cover UK Ford Maverick or Nissan Terrano **Nissan Stanza Owners Workshop Manual** P. G. Strasman,1986 **Nissan Bluebird Owners Workshop Manual** A. K. Legg,1986 Nissan Note Peter T. Gill,2018 **Service Manual** Nissan Jidōsha Kabushiki Kaisha,1977 *Nissan Sunny 1986-91 Service and Repair Manual* Ian Coomber,Mark Coombs,1996 Hatchback Saloon Pulsar N13 Coupe Estate B12 inc ZX special limited editions Petrol 1 3 litre 1270cc 1 4 litre 1392cc 1 6 litre 1597 1598cc 1 8 litre 1809cc *Nissan Patrol* Motor Co. Ltd Nissan,1977

Embark on a breathtaking journey through nature and adventure with Crafted by is mesmerizing ebook, Natureis Adventure: **Nissan Zd30 Workshop Manual** . This immersive experience, available for download in a PDF format (*), transports you to the heart of natural marvels and thrilling escapades. Download now and let the adventure begin!

https://crm.avenza.com/About/scholarship/HomePages/Sample_Clerical_Tests.pdf

Table of Contents Nissan Zd30 Workshop Manual

1. Understanding the eBook Nissan Zd30 Workshop Manual
 - The Rise of Digital Reading Nissan Zd30 Workshop Manual
 - Advantages of eBooks Over Traditional Books
2. Identifying Nissan Zd30 Workshop Manual
 - Exploring Different Genres
 - Considering Fiction vs. Non-Fiction
 - Determining Your Reading Goals
3. Choosing the Right eBook Platform
 - Popular eBook Platforms
 - Features to Look for in an Nissan Zd30 Workshop Manual
 - User-Friendly Interface
4. Exploring eBook Recommendations from Nissan Zd30 Workshop Manual
 - Personalized Recommendations
 - Nissan Zd30 Workshop Manual User Reviews and Ratings
 - Nissan Zd30 Workshop Manual and Bestseller Lists
5. Accessing Nissan Zd30 Workshop Manual Free and Paid eBooks
 - Nissan Zd30 Workshop Manual Public Domain eBooks
 - Nissan Zd30 Workshop Manual eBook Subscription Services
 - Nissan Zd30 Workshop Manual Budget-Friendly Options
6. Navigating Nissan Zd30 Workshop Manual eBook Formats

- ePub, PDF, MOBI, and More
 - Nissan Zd30 Workshop Manual Compatibility with Devices
 - Nissan Zd30 Workshop Manual Enhanced eBook Features
7. Enhancing Your Reading Experience
 - Adjustable Fonts and Text Sizes of Nissan Zd30 Workshop Manual
 - Highlighting and Note-Taking Nissan Zd30 Workshop Manual
 - Interactive Elements Nissan Zd30 Workshop Manual
 8. Staying Engaged with Nissan Zd30 Workshop Manual
 - Joining Online Reading Communities
 - Participating in Virtual Book Clubs
 - Following Authors and Publishers Nissan Zd30 Workshop Manual
 9. Balancing eBooks and Physical Books Nissan Zd30 Workshop Manual
 - Benefits of a Digital Library
 - Creating a Diverse Reading Collection Nissan Zd30 Workshop Manual
 10. Overcoming Reading Challenges
 - Dealing with Digital Eye Strain
 - Minimizing Distractions
 - Managing Screen Time
 11. Cultivating a Reading Routine Nissan Zd30 Workshop Manual
 - Setting Reading Goals Nissan Zd30 Workshop Manual
 - Carving Out Dedicated Reading Time
 12. Sourcing Reliable Information of Nissan Zd30 Workshop Manual
 - Fact-Checking eBook Content of Nissan Zd30 Workshop Manual
 - Distinguishing Credible Sources
 13. Promoting Lifelong Learning
 - Utilizing eBooks for Skill Development
 - Exploring Educational eBooks
 14. Embracing eBook Trends
 - Integration of Multimedia Elements
 - Interactive and Gamified eBooks

Nissan Zd30 Workshop Manual Introduction

In today's digital age, the availability of Nissan Zd30 Workshop Manual books and manuals for download has revolutionized the way we access information. Gone are the days of physically flipping through pages and carrying heavy textbooks or manuals. With just a few clicks, we can now access a wealth of knowledge from the comfort of our own homes or on the go. This article will explore the advantages of Nissan Zd30 Workshop Manual books and manuals for download, along with some popular platforms that offer these resources. One of the significant advantages of Nissan Zd30 Workshop Manual books and manuals for download is the cost-saving aspect. Traditional books and manuals can be costly, especially if you need to purchase several of them for educational or professional purposes. By accessing Nissan Zd30 Workshop Manual versions, you eliminate the need to spend money on physical copies. This not only saves you money but also reduces the environmental impact associated with book production and transportation. Furthermore, Nissan Zd30 Workshop Manual books and manuals for download are incredibly convenient. With just a computer or smartphone and an internet connection, you can access a vast library of resources on any subject imaginable. Whether you're a student looking for textbooks, a professional seeking industry-specific manuals, or someone interested in self-improvement, these digital resources provide an efficient and accessible means of acquiring knowledge. Moreover, PDF books and manuals offer a range of benefits compared to other digital formats. PDF files are designed to retain their formatting regardless of the device used to open them. This ensures that the content appears exactly as intended by the author, with no loss of formatting or missing graphics. Additionally, PDF files can be easily annotated, bookmarked, and searched for specific terms, making them highly practical for studying or referencing. When it comes to accessing Nissan Zd30 Workshop Manual books and manuals, several platforms offer an extensive collection of resources. One such platform is Project Gutenberg, a nonprofit organization that provides over 60,000 free eBooks. These books are primarily in the public domain, meaning they can be freely distributed and downloaded. Project Gutenberg offers a wide range of classic literature, making it an excellent resource for literature enthusiasts. Another popular platform for Nissan Zd30 Workshop Manual books and manuals is Open Library. Open Library is an initiative of the Internet Archive, a non-profit organization dedicated to digitizing cultural artifacts and making them accessible to the public. Open Library hosts millions of books, including both public domain works and contemporary titles. It also allows users to borrow digital copies of certain books for a limited period, similar to a library lending system. Additionally, many universities and educational institutions have their own digital libraries that provide free access to PDF books and manuals. These libraries often offer academic texts, research papers, and technical manuals, making them invaluable resources for students and researchers. Some notable examples include MIT OpenCourseWare, which offers free access to course materials from the Massachusetts Institute of Technology, and the Digital Public Library of America, which provides a vast collection of digitized books and historical documents. In conclusion, Nissan Zd30 Workshop Manual books and manuals for download

have transformed the way we access information. They provide a cost-effective and convenient means of acquiring knowledge, offering the ability to access a vast library of resources at our fingertips. With platforms like Project Gutenberg, Open Library, and various digital libraries offered by educational institutions, we have access to an ever-expanding collection of books and manuals. Whether for educational, professional, or personal purposes, these digital resources serve as valuable tools for continuous learning and self-improvement. So why not take advantage of the vast world of Nissan Zd30 Workshop Manual books and manuals for download and embark on your journey of knowledge?

FAQs About Nissan Zd30 Workshop Manual Books

How do I know which eBook platform is the best for me? Finding the best eBook platform depends on your reading preferences and device compatibility. Research different platforms, read user reviews, and explore their features before making a choice. Are free eBooks of good quality? Yes, many reputable platforms offer high-quality free eBooks, including classics and public domain works. However, make sure to verify the source to ensure the eBook credibility. Can I read eBooks without an eReader? Absolutely! Most eBook platforms offer web-based readers or mobile apps that allow you to read eBooks on your computer, tablet, or smartphone. How do I avoid digital eye strain while reading eBooks? To prevent digital eye strain, take regular breaks, adjust the font size and background color, and ensure proper lighting while reading eBooks. What the advantage of interactive eBooks? Interactive eBooks incorporate multimedia elements, quizzes, and activities, enhancing the reader engagement and providing a more immersive learning experience. Nissan Zd30 Workshop Manual is one of the best book in our library for free trial. We provide copy of Nissan Zd30 Workshop Manual in digital format, so the resources that you find are reliable. There are also many Ebooks of related with Nissan Zd30 Workshop Manual. Where to download Nissan Zd30 Workshop Manual online for free? Are you looking for Nissan Zd30 Workshop Manual PDF? This is definitely going to save you time and cash in something you should think about.

Find Nissan Zd30 Workshop Manual :

sample clerical tests

sample customer service cover letter entry level

sage master builder user guide

sample essay on seamus heaney leaving cert

sailor 6248 installation manual

sample clinical notes for mental health therapy

sam warning light

saganaki recipe flameing

sage 5certification exam questions

sample english questions in bece 2014

~~salad recipe with mandarin oranges~~

sample essay topic crct

~~sage medical manager user guide~~

sam rayburn reservoir fishing report

sam and pat book 1 beginning reading and writing

Nissan Zd30 Workshop Manual :

Study Guide for Understanding Medical-Surgical Nursing Here's the perfect companion to Understanding Medical-Surgical Nursing, 6th Edition. It offers the practice nursing students need to hone their critical- ... Study Guide for Understanding Medical-Surgical Nursing Here's the perfect companion to Understanding Medical-Surgical Nursing, 6th Edition. It offers the practice nursing students need to hone their critical- ... Understanding Medical-Surgical Nursing Understanding Medical-Surgical Nursing, 6th Edition, Online Resources, and Davis Edge work together to create an interactive learning experience that teaches ... Understanding Medical-Surgical Nursing: 9780803668980 Understanding Medical-Surgical Nursing, 6th Edition, Online Resources, and Davis Edge work together to create an interactive learning experience that ... Study Guide for Medical-Surgical Nursing: 11th edition Oct 31, 2023 — Corresponding to the chapters in the Ignatavicius textbook, this thoroughly updated study guide is a practical tool to help you review, practice ... Med Surg 2 Study Guide Answer Key 1. Answers. CHAPTER 1. CRITICAL THINKING AND. THE NURSING PROCESS. AUDIO CASE STUDY. Jane and the Nursing Process. Assessment/data collection, diagnosis, ... Study Guide for Understanding Medical Surgical Nursing ... Jul 15, 2020 — Study Guide for Understanding Medical Surgical Nursing 7th Edition is written by Linda S. Williams; Paula D. Hopper and published by F.A. Davis. Study Guide for Understanding Medical Surgical Nursing ... Feb 1, 2019 — Here's the perfect companion to Understanding Medical-Surgical Nursing, 6th Edition. It offers the practice nursing students need to hone their ... Study Guide for Understanding Medical-Surgical Nursing Study Guide for Understanding Medical-Surgical Nursing · Paperback(Seventh Edition) · \$41.95. To Educate the Human Potential by Maria Montessori A great emphasis is placed upon placing seeds of motivation and "wonder" in the child's mind, using a big, integrating picture of the world which is supposed to ... (6) To Educate the Human Potential (6) To Educate the Human Potential. \$13.00. This book is intended to help teachers

to envisage the child's needs after the age of six. To Educate the Human Potential This book is intended to help teachers to envisage the child's needs after the age of six. Equipped in their whole being for the adventure of life, ... To educate the human potential: Maria Montessori The introduction explains that this book is meant to follow Education for a New World, and it "helps teachers envisage the child's needs after age six. To Educate The Human Potential To Educate The Human Potential ... A more comprehensive study of child development, this book is a companion volume to Education For A New World. While unfolding ... To Educate the Human Potential vol.6 To Educate the Human Potential is intended to help teachers to envisage the child's needs after the age of six. Regarding the cosmic plan, imagination, ... To Educate the Human Potential by Maria Montessori She addresses human development in its entirety, and the development of the human race. Moreover, this book takes a larger look at life and the cosmos, and ... To Educate the Human Potential by Maria Montessori | eBook Overview. This book is intended to follow Education for a New World and to help teachers to envisage the child's needs after the age of six. In Her Words: To Educate the Human Potential Our teaching must only answer the mental needs of the child, never dictate them. Full text of "To Educate The Human Potential Ed. 2nd" The universe is an imposing reality, and an answer to all questions. We shall walk together on this path of life, for all things are part of the universe, and ... Viewing a thread - Low oil pressure with 6.7 Iveco... Apr 18, 2021 — Has anyone had issues with low oil pressure in an Iveco engine? This is in my Case 3320 sprayer with around 2000 hrs. Low oil pressure on Iveco 12.9 litre engine numberf3bfe613a. Oct 4, 2019 — I hope this helps you. Wayne. Ask Your Own Medium and Heavy Trucks Question. Iveco Tector Low Oil Pressure [PDF] Iveco Tector Low Oil Pressure. Light 'n' Easy: Iveco Eurocargo and Daily Van | News - Australasian Transport News. World première for 4x4 version of Iveco New ... What Causes Low Oil Pressure? Troubleshooting ... - YouTube Calling all Iveco Horsebox owners or experts May 10, 2009 — It may well just be the oil pressure sender unit in which case it is quick and easy to fix however if it is something else it needs sorting out ... Iveco 75e17 problem - Arb-Trucks Feb 17, 2016 — Thanks for your reply. Ticking over all day at low oil pressure could have done it then? If it seizes completely is it driveable? Link to ... Burning oil when warm, Iveco Tector 3.9td Aug 22, 2010 — I bought a 2002 Iveco Eurocargo but the problem is, when its been run for ... low rail pressure and fueling faults. Remember electric control ... I have a 2.5TD iveco daily engine in a boat of mine. ... May 23, 2010 — Hi I'm Wayne, I will help you with this, That oil pressure is way too low, on start up you should (rebuilt engine) have 45-50 ... More problems with 10.3L Iveco Oct 3, 2012 — The oil pressure seems normal and engine oil is full. I tried multiple things but it only does it when I start unloading my bin. These little ... FPT Iveco - oil pressure No blue smoke indicates no oil combustion. Reply: DLH, 17-Sep-10. I agree with Ola's post. One of my turbos went and I ...