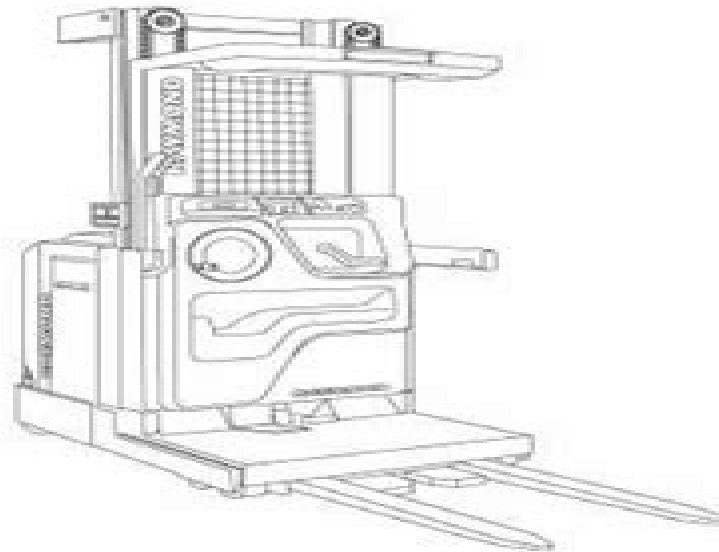


RAYMOND

EASi™ Orderpicker

Parts Catalog



PDPM - 0216
S/N 31,000 and Up
Issued 6/5/02

Raymond Order Picker Manual

S Marginson



Raymond Order Picker Manual:

This Engaging World of Kindle Books: A Detailed Guide Unveiling the Pros of E-book Books: A World of Convenience and Versatility Kindle books, with their inherent portability and simplicity of availability, have liberated readers from the constraints of hardcopy books. Gone are the days of carrying cumbersome novels or meticulously searching for particular titles in bookstores. Kindle devices, sleek and lightweight, effortlessly store an wide library of books, allowing readers to immerse in their favorite reads whenever, anywhere. Whether traveling on a busy train, lounging on a sun-kissed beach, or simply cozying up in bed, Kindle books provide an exceptional level of convenience. A Reading Universe Unfolded: Discovering the Vast Array of E-book Raymond Order Picker Manual Raymond Order Picker Manual The E-book Store, a virtual treasure trove of literary gems, boasts an extensive collection of books spanning diverse genres, catering to every readers preference and preference. From captivating fiction and thought-provoking non-fiction to timeless classics and modern bestsellers, the E-book Shop offers an exceptional variety of titles to explore. Whether looking for escape through engrossing tales of imagination and exploration, diving into the depths of past narratives, or broadening ones understanding with insightful works of scientific and philosophy, the E-book Shop provides a doorway to a bookish world brimming with limitless possibilities. A Game-changing Force in the Bookish Landscape: The Persistent Influence of Kindle Books Raymond Order Picker Manual The advent of Kindle books has unquestionably reshaped the literary scene, introducing a model shift in the way books are published, distributed, and consumed. Traditional publishing houses have embraced the online revolution, adapting their strategies to accommodate the growing demand for e-books. This has led to a rise in the accessibility of E-book titles, ensuring that readers have entry to a wide array of literary works at their fingertips. Moreover, E-book books have equalized access to literature, breaking down geographical barriers and providing readers worldwide with equal opportunities to engage with the written word. Regardless of their location or socioeconomic background, individuals can now engross themselves in the captivating world of books, fostering a global community of readers. Conclusion: Embracing the Kindle Experience Raymond Order Picker Manual E-book books Raymond Order Picker Manual, with their inherent ease, flexibility, and wide array of titles, have undoubtedly transformed the way we encounter literature. They offer readers the liberty to explore the boundless realm of written expression, anytime, anywhere. As we continue to travel the ever-evolving online scene, E-book books stand as testament to the lasting power of storytelling, ensuring that the joy of reading remains reachable to all.

https://crm.avenza.com/About/Resources/Download_PDFS/new_era_accounting_grade_10_questions.pdf

Table of Contents Raymond Order Picker Manual

1. Understanding the eBook Raymond Order Picker Manual
 - The Rise of Digital Reading Raymond Order Picker Manual
 - Advantages of eBooks Over Traditional Books
2. Identifying Raymond Order Picker Manual
 - Exploring Different Genres
 - Considering Fiction vs. Non-Fiction
 - Determining Your Reading Goals
3. Choosing the Right eBook Platform
 - Popular eBook Platforms
 - Features to Look for in an Raymond Order Picker Manual
 - User-Friendly Interface
4. Exploring eBook Recommendations from Raymond Order Picker Manual
 - Personalized Recommendations
 - Raymond Order Picker Manual User Reviews and Ratings
 - Raymond Order Picker Manual and Bestseller Lists
5. Accessing Raymond Order Picker Manual Free and Paid eBooks
 - Raymond Order Picker Manual Public Domain eBooks
 - Raymond Order Picker Manual eBook Subscription Services
 - Raymond Order Picker Manual Budget-Friendly Options
6. Navigating Raymond Order Picker Manual eBook Formats
 - ePub, PDF, MOBI, and More
 - Raymond Order Picker Manual Compatibility with Devices
 - Raymond Order Picker Manual Enhanced eBook Features
7. Enhancing Your Reading Experience
 - Adjustable Fonts and Text Sizes of Raymond Order Picker Manual
 - Highlighting and Note-Taking Raymond Order Picker Manual
 - Interactive Elements Raymond Order Picker Manual
8. Staying Engaged with Raymond Order Picker Manual

- Joining Online Reading Communities
 - Participating in Virtual Book Clubs
 - Following Authors and Publishers Raymond Order Picker Manual
9. Balancing eBooks and Physical Books Raymond Order Picker Manual
- Benefits of a Digital Library
 - Creating a Diverse Reading Collection Raymond Order Picker Manual
10. Overcoming Reading Challenges
- Dealing with Digital Eye Strain
 - Minimizing Distractions
 - Managing Screen Time
11. Cultivating a Reading Routine Raymond Order Picker Manual
- Setting Reading Goals Raymond Order Picker Manual
 - Carving Out Dedicated Reading Time
12. Sourcing Reliable Information of Raymond Order Picker Manual
- Fact-Checking eBook Content of Raymond Order Picker Manual
 - Distinguishing Credible Sources
13. Promoting Lifelong Learning
- Utilizing eBooks for Skill Development
 - Exploring Educational eBooks
14. Embracing eBook Trends
- Integration of Multimedia Elements
 - Interactive and Gamified eBooks

Raymond Order Picker Manual Introduction

Raymond Order Picker Manual Offers over 60,000 free eBooks, including many classics that are in the public domain. Open Library: Provides access to over 1 million free eBooks, including classic literature and contemporary works. Raymond Order Picker Manual Offers a vast collection of books, some of which are available for free as PDF downloads, particularly older books in the public domain. Raymond Order Picker Manual : This website hosts a vast collection of scientific articles, books, and textbooks. While it operates in a legal gray area due to copyright issues, its a popular resource for finding various publications. Internet Archive for Raymond Order Picker Manual : Has an extensive collection of digital content, including

books, articles, videos, and more. It has a massive library of free downloadable books. Free-eBooks Raymond Order Picker Manual Offers a diverse range of free eBooks across various genres. Raymond Order Picker Manual Focuses mainly on educational books, textbooks, and business books. It offers free PDF downloads for educational purposes. Raymond Order Picker Manual Provides a large selection of free eBooks in different genres, which are available for download in various formats, including PDF. Finding specific Raymond Order Picker Manual, especially related to Raymond Order Picker Manual, might be challenging as they're often artistic creations rather than practical blueprints. However, you can explore the following steps to search for or create your own Online Searches: Look for websites, forums, or blogs dedicated to Raymond Order Picker Manual, Sometimes enthusiasts share their designs or concepts in PDF format. Books and Magazines Some Raymond Order Picker Manual books or magazines might include. Look for these in online stores or libraries. Remember that while Raymond Order Picker Manual, sharing copyrighted material without permission is not legal. Always ensure you're either creating your own or obtaining them from legitimate sources that allow sharing and downloading. Library Check if your local library offers eBook lending services. Many libraries have digital catalogs where you can borrow Raymond Order Picker Manual eBooks for free, including popular titles. Online Retailers: Websites like Amazon, Google Books, or Apple Books often sell eBooks. Sometimes, authors or publishers offer promotions or free periods for certain books. Authors Website Occasionally, authors provide excerpts or short stories for free on their websites. While this might not be the Raymond Order Picker Manual full book, it can give you a taste of the authors writing style. Subscription Services Platforms like Kindle Unlimited or Scribd offer subscription-based access to a wide range of Raymond Order Picker Manual eBooks, including some popular titles.

FAQs About Raymond Order Picker Manual Books

What is a Raymond Order Picker Manual PDF? A PDF (Portable Document Format) is a file format developed by Adobe that preserves the layout and formatting of a document, regardless of the software, hardware, or operating system used to view or print it. **How do I create a Raymond Order Picker Manual PDF?** There are several ways to create a PDF: Use software like Adobe Acrobat, Microsoft Word, or Google Docs, which often have built-in PDF creation tools. Print to PDF: Many applications and operating systems have a "Print to PDF" option that allows you to save a document as a PDF file instead of printing it on paper. Online converters: There are various online tools that can convert different file types to PDF. **How do I edit a Raymond Order Picker Manual PDF?** Editing a PDF can be done with software like Adobe Acrobat, which allows direct editing of text, images, and other elements within the PDF. Some free tools, like PDFescape or Smallpdf, also offer basic editing capabilities. **How do I convert a Raymond Order Picker Manual PDF to another file format?**

There are multiple ways to convert a PDF to another format: Use online converters like Smallpdf, Zamzar, or Adobe Acrobats export feature to convert PDFs to formats like Word, Excel, JPEG, etc. Software like Adobe Acrobat, Microsoft Word, or other PDF editors may have options to export or save PDFs in different formats. **How do I password-protect a Raymond Order Picker Manual PDF?** Most PDF editing software allows you to add password protection. In Adobe Acrobat, for instance, you can go to "File" -> "Properties" -> "Security" to set a password to restrict access or editing capabilities. Are there any free alternatives to Adobe Acrobat for working with PDFs? Yes, there are many free alternatives for working with PDFs, such as: LibreOffice: Offers PDF editing features. PDFsam: Allows splitting, merging, and editing PDFs. Foxit Reader: Provides basic PDF viewing and editing capabilities. How do I compress a PDF file? You can use online tools like Smallpdf, ILovePDF, or desktop software like Adobe Acrobat to compress PDF files without significant quality loss. Compression reduces the file size, making it easier to share and download. Can I fill out forms in a PDF file? Yes, most PDF viewers/editors like Adobe Acrobat, Preview (on Mac), or various online tools allow you to fill out forms in PDF files by selecting text fields and entering information. Are there any restrictions when working with PDFs? Some PDFs might have restrictions set by their creator, such as password protection, editing restrictions, or print restrictions. Breaking these restrictions might require specific software or tools, which may or may not be legal depending on the circumstances and local laws.

Find Raymond Order Picker Manual :

new era accounting grade 10 questions

[nevada state contractors board license renewal](#)

new grammar tree teachers guide

never seduce a scoundrel

new holland 555 service manual

neuf mois en amazonie journal dun tournage impossible

[new holland 640 round baler service manual](#)

network security exam questions and answers bing

[neuron anatomy activity answers](#)

nevada proficiency exam 2014 study guide

new headway beginner

new directions in media psychology fielding monograph series volume 3

new holland 7310 loader manual

[new holland 254 tedder manual](#)

new holland 84round baler manual

Raymond Order Picker Manual :

parler avec les mains wiktionnaire le dictionnaire libre - Feb 15 2023

web locution verbale parler avec les mains par le a vek le mæ sens figuré gesticuler en parlant en france le stéréotype associé aux italiens c est qu ils parlent avec les mains

pourquoi les gens parlent avec les mains synonyme du mot - Mar 16 2023

web alors bien souvent nous nous mettons à gesticuler et selon les neuroscientifiques c est ce qu il faut faire parler avec les mains aide à retrouver la mémoire des mots que la pensée soit claire et la parole fluide ou non les gestes

la chine affirme s opposer à l hégémonisme et à l unilatéralisme - Jun 07 2022

web 50 minutes ago la chine a t il dit s oppose à l hégémonisme à l unilatéralisme et à la mentalité héritée de la guerre froide cultivée par un certain nombre d États la communauté internationale doit résister collectivement à ces agissements a t il dit en rappelant le soutien historique de la chine à cuba pour s opposer aux

les mains parlent des rappeurs turcs fusionnent le - Jun 19 2023

web le rappeur turc fuat ergin et son groupe eller konuşur les mains parlent cherchent à façonner un nouveau genre autour du concept du hip hop en langue d

quand les mains parlent synonyme du mot - May 18 2023

web les mains un moyen de communication comme un autre une seconde étude a démontré que les personnes qui parlent avec leurs mains sont perçues comme étant plus chaleureuses agréables et énergiques alors que celles qui utilisent peu leurs mains quand ils parlent paraissent plus froids

unis nous pouvons relever tous les défis déclare le président - Nov 12 2022

web 2 days ago le pouvoir est entre nos mains la déclaration universelle des droits de l homme a été adoptée il y a 75 ans mais il faut encore s attaquer à la discrimination a poursuivi joe biden cependant le pouvoir est entre nos mains de forger un monde plus sûr et plus durable pour tous grâce à des partenariats et à l espoir

cette ligne sur la main veut dire beaucoup sur votre personnalité - Jul 08 2022

web nov 26 2022 vos deux mains parlent pour vous mais chaque côté a sa particularité la main gauche parle de vous et de votre passé c est sur la main droite qu on s attardera pour lire l avenir

vos mains parlent un langage fascinant que vous devriez connaître - Aug 21 2023

web jan 16 2023 vos mains sont un canal exceptionnel pour transmettre des émotions et même pour séduire des mouvements fluides et harmonieux génèrent toujours confiance et ouverture vos mains parlent en effet ce que vous

transmettez à travers elles peut être plus révélateur que les mots eux mêmes

signes sur les mains qui parlent de notre santé améliore ta santé - Feb 03 2022

web aug 10 2022 les mains jouent un rôle fondamental dans notre vie et il est difficile d imaginer ce que nous serions sans elles 1 les mains qui tremblent si les mains se mettent soudainement à trembler c est un signal d alerte la première chose qui nous vient à l esprit est la maladie de parkinson

vous parlez avec vos mains voici ce que cela révèle de vous - Apr 05 2022

web jan 26 2022 une seconde étude a démontré que les personnes qui parlent avec leurs mains sont perçues comme étant plus chaleureuses agréables et énergiques alors que celles qui utilisent peu

le symbolisme de la main signification interprétation - Mar 04 2022

web nov 26 2020 le symbolisme de la main est ambigu utilisée comme une arme elle peut pointer du doigt posséder serrer briser dominer condamner ou tuer elle tient l épée elle exprime l ego les passions la colère ou la vengeance

pourquoi parle t on avec les mains curieux - Aug 09 2022

web aug 6 2021 s il semble évident que parler avec les mains permet de mieux capter l attention de son auditoire ces gestes spontanés recèlent d autres bénéfiques insoupçonnés sommaire ils aident à mieux organiser notre pensée ils facilitent la mémorisation on écarte les bras on balaie d un geste on serre le poing on pointe du doigt

pourquoi parle t on avec les mains le figaro - Apr 17 2023

web jan 22 2023 pourquoi parle t on avec les mains par dorian grelier publié le 22 01 2023 à 08 00 copier le lien la première raison pour laquelle nous faisons des gestes en parlant est afin de

les mains parlent gsevocab pearsonelt - Sep 10 2022

web les mains parlent carnet des initiés tome rouge livre 2 albert dürer les mains qui parlent les mains qui parlent pablo picasso l usance de saintonge entre mer et charente colligée des anciens manuscrits avec deux traités des secondes noces du droit de reversion seconde édition augmentée par me c bechet les mains parlent

le langage corporel s entend autant qu il se voit - Oct 11 2022

web may 25 2020 quand nous parlons avec les mains nos gestes modifient le son de notre voix parler avec les mains ne serait pas qu une expression les gestes que nous incluons à nos discours ou à nos

les mains parlent des rappeurs turcs fusionnent le hip hop et la - Jul 20 2023

web jan 30 2017 le rappeur turc fuat ergin et son groupe eller konuşur les mains parlent cherchent à façonner un nouveau genre autour du concept du hip hop en langue des signes

que dit l usage de vos mains sur vous nos pensées - May 06 2022

web oct 6 2015 un article récent paru dans la revue forbes soutient la théorie selon laquelle les personnes qui parlent avec

les mains développent un plus grand charisme l habitude de s accompagner des mains lors de l expression vocale implique une forte dose d énergie car elles expriment plus d émotions

les mains parlent libreria editrice ossidiane libro - Dec 13 2022

web les mains parlent autore i ranald josef editore brodard et taupin pp 192 illustrazioni se connaître soi même et connaître les autres par l étude des mains j ai maintenant réuni et étudié plus de cent mille empreintes de mains

communication non verbale ce que l on dit avec ses mains iforpro - Jan 14 2023

web vous devez avoir une poignée de main franche le bras légèrement fléchi pour indiquer à votre interlocuteur qu il est le bienvenu prise de parole et mobilité des mains les mains accompagnent également la prise de parole et peuvent venir renforcer votre discours

I enfant parle d abord avec les mains cairn info - Jan 02 2022

web en effet les gestes peuvent faciliter la transition vers le langage en accord avec la proposition de tomasello et son équipe tomasello et al 2007 quand les jeunes enfants utilisent le geste de pointage ils le font avec la claire compréhension des implications sociales de l acte

john deere l100 l108 l110 service repair manual equipment - May 18 2023

web this manual contains high quality images specs and schematics actual real photo illustrations circuit diagrams and instructions to help you to operate diagnostic maintenance troubleshoot and repair your john deere l100 l108 l110 l111 l118 l120 l130 lawn tractors

l108 owner information parts service john deere us - Sep 22 2023

web this is a current model and under manufacturer s oem warranty please see warranty statement and contact your dealer before repairing find your owner s manual and service information for example the operator s manual parts

johndeere108repairmanual - Mar 04 2022

web the language used in this clymer repair manual is targeted toward the novice mechanic but is also very valuable for the experienced mechanic operator s manual hydraulic excavator john deere model 230lcr nsn 3805 01 463 0804 and model 230lcrd with rock drill nsn 3805 01 463 0806 aug

john deere 108 lawn garden tractor manuals service repair - Feb 15 2023

web service manual svc the service manual aka shop manual or repair manual tells you how to take the john deere lawn garden tractor apart fix it and put it back together it is written in the language of a mechanic and may include valuable detailed information such as specifications torques ranges etc

john deere service repair manual - Jun 07 2022

web shop john deere at the repair manual we provide quality repair and service manuals for john deere the brand name of

deere company is an american corporation that manufactures agricultural construction and forestry equipment s diesel engines drivetrains axles transmissions gearboxes used in heavy equipment and lawn care equipment

john deere 108 111 111h 112l and 116 lawn tractors repair - Oct 11 2022

web may 6 2021 john deere 108 111 111h 112l and 116 lawn tractors repair service manual tm1206 by pdfs manuals issuu

john deere 108 manual john deere 108 owners manual john

john deere l100 l108 l110 l111 l118 l120 l130 tractor manual - Apr 17 2023

web this service manual includes repair and maintenance information detailed description of service and troubleshoot procedures installation instructions special instructions other additional information for john deere l100 l108

john deer 108 111 riding mower manual pdf google drive - Sep 10 2022

web john deer 108 111 riding mower manual pdf john deer 108 111 riding mower manual pdf sign in details

john deere 108 111 111h 112l 116 technical manual lawn - Aug 09 2022

web john deere 108 111 111h 112l 116 technical manual lawn tractor tm1206 24 00 factory technical manual for john deere lawn tractor manual contains illustrations instructions diagrams for step by step remove and install assembly and

disassembly service inspection repair troubleshooting tune ups add to basket lifetime free

tractordata com john deere 108 tractor information - Mar 16 2023

web mar 14 2022 operator s manual 108 111 112l 116 and 116h omm88424 j4 published in 1984 lawn tractors and mowers published in 1981 by john deere lawn tractors and riding mowers published in 1982 by john deere lawn tractors riding

mowers 1983 consult official literature from the manufacturer before attempting any service or repair

l100 l108 l111 l118 l120 and l130 lawn tractors - Jan 14 2023

web provides easy access to the fuel tank injection molded jd loy uv resistant polymer hood tough durable and will not rust color is molded in for long lasting good looks uv resistant jd loy material resists fading two pedal foot control l108 l111 l118

l120 l130 allows easy selection of tractor speed and direction electric

john deere 108 lawn and garden tractor service manual download john - Jul 20 2023

web john deere 108 lawn and garden tractor service manual 137 1 mb in zip format for super fast downloads this factory john deere service manual download will give you complete step by step information on repair servicing and preventative

maintenance for your john deere

john deere 108 111 111H 112l 116 tractors technical manual - Aug 21 2023

web with this manual you will be able to increase the comfort and safety of your own tractor john deere technical manual provides detailed descriptions of typical faults methods of their elimination details of repair and adjustment mechanisms

electrical systems information on diagnosis and adjustment

[*john deere 108 lawn and garden tractor service manual - Oct 23 2023*](#)

web mar 8 2013 john deere 108 lawn and garden tractor technical manual tm1206 654 pages in pdf format 137 1 mb in zip format for super fast downloads this factory john deere service manual download will give you complete step by step information on repair servicing and preventative maintenance for your john deere

john deere 108 111 lawn tractors 190001 omm85067 - May 06 2022

web this john deere 108 111 lawn tractors 190001 omm85067 operators and maintenance manual pdf download provides all the details you need to operate and maintain your machine it is compatible with all windows and mac versions and can be printed for unlimited copies

[*john deere l100 l108 l110 l111 l118 l120 l130 lawn - Apr 05 2022*](#)

web when your john deere l100 l108 l110 l111 l118 l120 l130 lawn tractors needs maintenance or repair this service repair manual is great to have because it is the official highly detailed digital factory service repair manual

[*john deere 108 111 111h parts manual jensales - Jun 19 2023*](#)

web john deere and its successors are not responsible for the quality or accuracy of this manual trade marks and trade names contained and used herein are those of others and are used here in a descriptive sense to refer to the products of others jd p pc1699

[*john deere l100 l108 l110 l111 l118 l120 l130 lawn - Jul 08 2022*](#)

web john deere l100 l108 l110 l111 l118 l120 l130 lawn tractors service technical manual has easy to read text sections with top quality diagrams and instructions will guide you through fundamentals of maintaining and repairing step by step to teach you what the factory trained technicians already know by heart

john deere technical information store technical information - Dec 13 2022

web official john deere site to buy or download ag turf operator s manuals parts catalogs and technical manuals to service equipment the site also offers free downloads of operator s manuals and installation instructions and to purchase educational curriculum

[*john deere 108 111 111h 112l 116 and 116h lawn mower service manual - Nov 12 2022*](#)

web this is the complete service manual for the john deere 108 111 111h 112l 116 and 116h lawn mower this is the same manual that the dealer repair shops use it contains hundreds of pictures and diagrams containing all the information you need to repair and troubleshoot your john deere riding mower

[*century 21 accounting 9e teacher edition pdf sql1 viewber co - Jun 01 2022*](#)

web century 21 southwestern accounting 9e teacher edition downloaded from db mwpai edu by guest virginia lin century 21 accounting general journal 9th

century 21 southwestern accounting 9e textbook pdf - Jun 13 2023

web century 21 accounting is known for its step by step approach to teaching accounting and the wealth of activities and practice available to use in print online or with real world

century 21 southwestern accounting 9e teacher edition - Mar 30 2022

web century 21 southwestern accounting 9e teacher edition author blogs sites post gazette com 2023 08 27t00 00 00 00 01
subject century 21 southwestern

century 21 accounting series ngl school catalog - Apr 11 2023

web title teacher s edition working papers chapters 11 24 century 21 south western accounting advanced 9e author name gilberdson lehman passalacqua isbn

century 21 accounting multicolumn journal 9th - May 12 2023

web century 21 accounting 9th edition claudia b gilbertson mark w l publisher south western pub isbn 9780538447089

century 21 southwestern accounting 9e workbook answers - Sep 23 2021**century 21 south western accounting wraparound** - Jan 08 2023

web teacher edition south western century 21 accounting grades 9 12 dec 09 2022 accounting mar 12 2023 new online working papers identical to printed working

century 21 accounting 9th edition textbook solutions - Mar 10 2023

web jan 1 2006 century 21 south western accounting wraparound teacher s edition hardcover january 1 2006 by gilbertson author lehman author ross

century 21 southwestern accounting 9e teacher edition - Apr 30 2022

web century 21 southwestern accounting 9e teacher edition but end up in infectious downloads rather than enjoying a good book with a cup of tea in the afternoon instead

century 21 southwestern accounting 9e teacher edition - Jan 28 2022

web century 21 southwestern accounting 9e workbook answers century 21 southwestern accounting 9e answer key for chapter 10 pin century 21 south western accounting

century 21 southwestern accounting 9e workbook answer key - Nov 25 2021**teacher s edition chapter and part tests century 21** - Jul 14 2023

web so here is where i got my copy of century 21 southwestern accounting 9e book in pdf free century 21 southwestern accounting 9e textbook pdf offers the most

teacher s edition chapter and part tests century 21 sou - Aug 15 2023

web teacher s edition chapter and part tests century 21 south western accounting general journal 9e by claudia b gilbertson
goodreads jump to ratings and reviews want to

century 21 southwestern accounting 9e teacher edition copy - Nov 06 2022

web the most recent edition of century 21 southwestern accounting 9e textbook pdf download has been released and we have
it ready for you our book is dedicated to

download file century 21 southwestern accounting 9e teacher - Feb 26 2022

web century 21 southwestern accounting 9e workbook answer key 4 13 downloaded from stats ijm org on june 17 2023 by
guest year to follow the process outlined in the book

century 21 accounting 8e - Jul 02 2022

web have no prior knowledge of accounting this edition s distinctive framework illustrates the impact of transactions on
financial statements without the use of debits and credits

century 21 accounting 8e - Aug 03 2022

web accounting 9e teacher edition mondaycentury 21 accounting 9e teacher edition is available in our book collection an
online access to it is set as public so you can get it

century 21 accounting general journal 10th edition - Dec 27 2021

web from chapter 1 of the century 21 accounting textbook edition 9e learn with flashcards games and more for free
accounting 1 chapter 1 century 21 9e flashcards

teacher s edition working papers chapters 11 24 century 21 - Feb 09 2023

web feb 14 2008 working papers chapters 1 16 for gilbertson lehman s century 21 accounting multicolumn journal 9th 9th
edition by claudia b gilbertson author

century 21 southwestern accounting 9e textbook pdf - Sep 04 2022

web teacher s edition of printed tests for century 21 accounting general journal 0 538 44136 4 teacher s edition of the tests
includes the test solutions printed within the

century 21 southwestern accounting 9e teacher edition pdf - Oct 05 2022

web adobe ebookfor century 21 accounting 8e take your traditional course to a new level with digital material that offers the
same rich visuals and illustrations as the printed

century 21 southwestern accounting 8e workbook answers - Oct 25 2021

working papers chapters 1 16 for gilbertson lehman s - Dec 07 2022

web introduction century 21 southwestern accounting 9e teacher edition pdf pdf century 21 accounting kenton e ross 1998
11 04 c21 accounting introductory text