

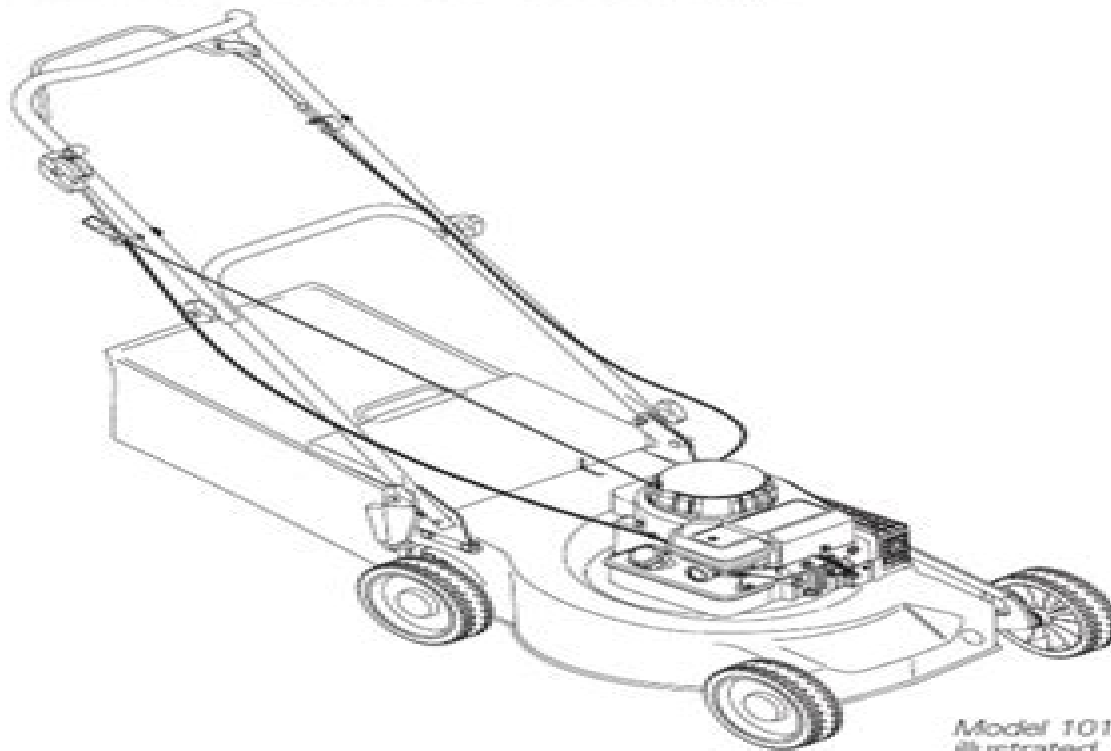


# POPE

## Lawn Mower

Model Numbers:

- |           |                            |
|-----------|----------------------------|
| 101PM2375 | Serial No. 8400001 and up  |
| 101PM45   | Serial No. 54500001 and up |
| 101SPM45  | Serial No. 55500001 and up |
| 101PM450  | Serial No. 94500001 and up |



*Model 101PM2375  
illustrated*

**Operator's Manual**

# Pope Lawn Mower Maintenance Manual

**Thirumalaisamy P.  
Velavancorresponding**



## **Pope Lawn Mower Maintenance Manual:**

Embark on a transformative journey with Explore the World with is captivating work, **Pope Lawn Mower Maintenance Manual** . This enlightening ebook, available for download in a convenient PDF format , invites you to explore a world of boundless knowledge. Unleash your intellectual curiosity and discover the power of words as you dive into this riveting creation. Download now and elevate your reading experience to new heights .

[https://crm.avenza.com/public/virtual-library/fetch.php/Rage\\_Of\\_Angels\\_By\\_Sidney\\_Sheldon\\_Morrow\\_July\\_13\\_1980.pdf](https://crm.avenza.com/public/virtual-library/fetch.php/Rage_Of_Angels_By_Sidney_Sheldon_Morrow_July_13_1980.pdf)

## **Table of Contents Pope Lawn Mower Maintenance Manual**

1. Understanding the eBook Pope Lawn Mower Maintenance Manual
  - The Rise of Digital Reading Pope Lawn Mower Maintenance Manual
  - Advantages of eBooks Over Traditional Books
2. Identifying Pope Lawn Mower Maintenance Manual
  - Exploring Different Genres
  - Considering Fiction vs. Non-Fiction
  - Determining Your Reading Goals
3. Choosing the Right eBook Platform
  - Popular eBook Platforms
  - Features to Look for in an Pope Lawn Mower Maintenance Manual
  - User-Friendly Interface
4. Exploring eBook Recommendations from Pope Lawn Mower Maintenance Manual
  - Personalized Recommendations
  - Pope Lawn Mower Maintenance Manual User Reviews and Ratings
  - Pope Lawn Mower Maintenance Manual and Bestseller Lists
5. Accessing Pope Lawn Mower Maintenance Manual Free and Paid eBooks
  - Pope Lawn Mower Maintenance Manual Public Domain eBooks
  - Pope Lawn Mower Maintenance Manual eBook Subscription Services
  - Pope Lawn Mower Maintenance Manual Budget-Friendly Options

6. Navigating Pope Lawn Mower Maintenance Manual eBook Formats
  - ePub, PDF, MOBI, and More
  - Pope Lawn Mower Maintenance Manual Compatibility with Devices
  - Pope Lawn Mower Maintenance Manual Enhanced eBook Features
7. Enhancing Your Reading Experience
  - Adjustable Fonts and Text Sizes of Pope Lawn Mower Maintenance Manual
  - Highlighting and Note-Taking Pope Lawn Mower Maintenance Manual
  - Interactive Elements Pope Lawn Mower Maintenance Manual
8. Staying Engaged with Pope Lawn Mower Maintenance Manual
  - Joining Online Reading Communities
  - Participating in Virtual Book Clubs
  - Following Authors and Publishers Pope Lawn Mower Maintenance Manual
9. Balancing eBooks and Physical Books Pope Lawn Mower Maintenance Manual
  - Benefits of a Digital Library
  - Creating a Diverse Reading Collection Pope Lawn Mower Maintenance Manual
10. Overcoming Reading Challenges
  - Dealing with Digital Eye Strain
  - Minimizing Distractions
  - Managing Screen Time
11. Cultivating a Reading Routine Pope Lawn Mower Maintenance Manual
  - Setting Reading Goals Pope Lawn Mower Maintenance Manual
  - Carving Out Dedicated Reading Time
12. Sourcing Reliable Information of Pope Lawn Mower Maintenance Manual
  - Fact-Checking eBook Content of Pope Lawn Mower Maintenance Manual
  - Distinguishing Credible Sources
13. Promoting Lifelong Learning
  - Utilizing eBooks for Skill Development
  - Exploring Educational eBooks
14. Embracing eBook Trends
  - Integration of Multimedia Elements

- Interactive and Gamified eBooks

## **Pope Lawn Mower Maintenance Manual Introduction**

Free PDF Books and Manuals for Download: Unlocking Knowledge at Your Fingertips In today's fast-paced digital age, obtaining valuable knowledge has become easier than ever. Thanks to the internet, a vast array of books and manuals are now available for free download in PDF format. Whether you are a student, professional, or simply an avid reader, this treasure trove of downloadable resources offers a wealth of information, conveniently accessible anytime, anywhere. The advent of online libraries and platforms dedicated to sharing knowledge has revolutionized the way we consume information. No longer confined to physical libraries or bookstores, readers can now access an extensive collection of digital books and manuals with just a few clicks. These resources, available in PDF, Microsoft Word, and PowerPoint formats, cater to a wide range of interests, including literature, technology, science, history, and much more. One notable platform where you can explore and download free Pope Lawn Mower Maintenance Manual PDF books and manuals is the internet's largest free library. Hosted online, this catalog compiles a vast assortment of documents, making it a veritable goldmine of knowledge. With its easy-to-use website interface and customizable PDF generator, this platform offers a user-friendly experience, allowing individuals to effortlessly navigate and access the information they seek. The availability of free PDF books and manuals on this platform demonstrates its commitment to democratizing education and empowering individuals with the tools needed to succeed in their chosen fields. It allows anyone, regardless of their background or financial limitations, to expand their horizons and gain insights from experts in various disciplines. One of the most significant advantages of downloading PDF books and manuals lies in their portability. Unlike physical copies, digital books can be stored and carried on a single device, such as a tablet or smartphone, saving valuable space and weight. This convenience makes it possible for readers to have their entire library at their fingertips, whether they are commuting, traveling, or simply enjoying a lazy afternoon at home. Additionally, digital files are easily searchable, enabling readers to locate specific information within seconds. With a few keystrokes, users can search for keywords, topics, or phrases, making research and finding relevant information a breeze. This efficiency saves time and effort, streamlining the learning process and allowing individuals to focus on extracting the information they need. Furthermore, the availability of free PDF books and manuals fosters a culture of continuous learning. By removing financial barriers, more people can access educational resources and pursue lifelong learning, contributing to personal growth and professional development. This democratization of knowledge promotes intellectual curiosity and empowers individuals to become lifelong learners, promoting progress and innovation in various fields. It is worth noting that while accessing free Pope Lawn Mower Maintenance Manual PDF books and manuals is convenient and cost-effective, it is vital to respect copyright laws and intellectual property rights. Platforms offering free

downloads often operate within legal boundaries, ensuring that the materials they provide are either in the public domain or authorized for distribution. By adhering to copyright laws, users can enjoy the benefits of free access to knowledge while supporting the authors and publishers who make these resources available. In conclusion, the availability of Pope Lawn Mower Maintenance Manual free PDF books and manuals for download has revolutionized the way we access and consume knowledge. With just a few clicks, individuals can explore a vast collection of resources across different disciplines, all free of charge. This accessibility empowers individuals to become lifelong learners, contributing to personal growth, professional development, and the advancement of society as a whole. So why not unlock a world of knowledge today? Start exploring the vast sea of free PDF books and manuals waiting to be discovered right at your fingertips.

### **FAQs About Pope Lawn Mower Maintenance Manual Books**

How do I know which eBook platform is the best for me? Finding the best eBook platform depends on your reading preferences and device compatibility. Research different platforms, read user reviews, and explore their features before making a choice. Are free eBooks of good quality? Yes, many reputable platforms offer high-quality free eBooks, including classics and public domain works. However, make sure to verify the source to ensure the eBook credibility. Can I read eBooks without an eReader? Absolutely! Most eBook platforms offer web-based readers or mobile apps that allow you to read eBooks on your computer, tablet, or smartphone. How do I avoid digital eye strain while reading eBooks? To prevent digital eye strain, take regular breaks, adjust the font size and background color, and ensure proper lighting while reading eBooks. What the advantage of interactive eBooks? Interactive eBooks incorporate multimedia elements, quizzes, and activities, enhancing the reader engagement and providing a more immersive learning experience. Pope Lawn Mower Maintenance Manual is one of the best book in our library for free trial. We provide copy of Pope Lawn Mower Maintenance Manual in digital format, so the resources that you find are reliable. There are also many Ebooks of related with Pope Lawn Mower Maintenance Manual. Where to download Pope Lawn Mower Maintenance Manual online for free? Are you looking for Pope Lawn Mower Maintenance Manual PDF? This is definitely going to save you time and cash in something you should think about.

### **Find Pope Lawn Mower Maintenance Manual :**

*rage of angels by sidney sheldon morrow july 13 1980*

[racial identity essay example](#)

**r vision trail sport tse 191**

**radial jdi mk3 mk4 duplex user guide**

[railway recruitment board technical questions tuton central](#)

[radio shack weather radio manual 12 262](#)

[radio installation guide for a 2002 kia sportage](#)

**rage of angels**

[quiznos bread recipe](#)

[radio operator training manual](#)

[radio shack dect manual](#)

[r6 wiring diagram 06](#)

[r33 skyline auto transmission repair manual](#)

[rain bird x 10 pc10 controller manual](#)

[quizlet compass test study guide](#)

**Pope Lawn Mower Maintenance Manual :**

*valencia bsc1010c lab manual by yolla39nanda issuu - Aug 25 2022*

web oct 7 2017 get valencia bsc1010c lab manual pdf file for free from our online library related pdfs for valencia bsc1010c

lab manual valencia bsc1010c lab

**bsc1010c general biology i summer 2021 dr falcone** - Jan 30 2023

web class meeting days hours and location lecture and laboratory canvas lms prerequisites satisfactory completion of all

mandated courses in english english for

**valencia bsc1010c lab manual** - Jan 18 2022

web valencia bsc1010c lab manual keywords valencia manual lab bsc1010c created date 4 23 2023 6 42 23 am

**bsc 1010c lab midterm exam flashcards quizlet** - Oct 27 2022

web created by kailchips20 valencia college terms in this set 21 choose a type of personal protective equipment commonly

used in the lab enviornment gloves closed toe shoes

**bsc 1010c valencia college course hero** - Sep 25 2022

web essay 1 notes 33 test prep 43 lab 67 other 661 showing 1 to 100 of 805 sort by most popular 11 pages exam 3 study

guide docx 2 pages general biology i

**bsc 1010c general biology i valencia college osceola** - Apr 01 2023



web introduction lab safety scientific method study guide pdf lab safety and the scientific method study guide virtual labs i  
lab safety personal safety 1 list 5 types of ppe

*valencia bsc1010c lab manual by marycousins3291 issuu* - Feb 16 2022

web sep 25 2017 get valencia bsc1010c lab manual pdf file for free from our online library related pdfs for valencia  
bsc1010c lab manual valencia bsc1010c lab

*valencia bsc1010c lab manual by lisianora541 issuu* - Dec 17 2021

web oct 27 2017 read valencia bsc1010c lab manual by lisianora541 on issuu and browse thousands of other publications on  
our platform start here

*bsc 1010c bio valencia college course hero* - Jul 04 2023

web mid term lab test study guide docx bsc1010c lab test practical midterm 75 points the lab midterm exam will be a mixture  
of questions that you answer at your seat

valencia bsc1010c lab manual - Jul 24 2022

web valencia bsc1010c lab manual keywords bsc1010c valencia manual lab created date 4 21 2023 2 15 38 am

**bsc 1010c general biology i valencia college** - May 02 2023

web model and categorize the fundamentals of molecular structure and functions associated with living organisms compare  
and contrast the structure and function of prokaryotic and

*valencia bsc1010c lab manual rjonline org* - Jun 22 2022

web valencia bsc1010c lab manual valencia bsc1010c lab manual 1 downloaded from rjonline org on 2023 07 09 by guest  
valencia bsc1010c lab manual getting the books

bsc 1010c valencia college general biology i studocu - Oct 07 2023

web studying bsc 1010c general biology i at valencia college on studocu you will find 122 coursework 102 lecture notes 61  
assignments and much more for bsc 1010c

*front door valencia college* - Jun 03 2023

web bsc 1010c general biology i laboratory manual by valencia college only available through the campus bookstore chapter  
worksheets available on canvas proper

valencia bsc1010c lab manual uniport edu ng - Apr 20 2022

web valencia bsc1010c lab manual 1 1 downloaded from uniport edu ng on april 9 2023 by guest valencia bsc1010c lab  
manual if you ally craving such a referred valencia

**bsc 1010c general biology i lab spring 2022** - Sep 06 2023

web compare and contrast the structure and function of prokaryotic and eukaryotic cells demonstrate an understanding of

the structure and functions of cell membranes and the

*bsc101c general biology i syllabus pdf general biology* - Nov 27 2022

web page 17 general biology 1 bsc1010c semester january 2019 to may 2019 instructor contact information name dr lance a tyree dc email email

**bsc biological sciences valencia college** - Nov 15 2021

web bsc 1005l with class and lab combined an introduction to essential principles of biological science topics include but are not limited to or bsc 1010h a continuation of

**valencia bsc1010c lab manual** - Mar 20 2022

web oct 7 2023 valencia bsc1010c lab manual author edms ncdmb gov ng 2023 10 07 18 52 08 subject valencia bsc1010c lab manual keywords

*valencia s bsc1010 lab manual flashcards by john doe* - Feb 28 2023

web study valencia s bsc1010 lab manual flashcards from john doe s class online or in brainscape s iphone or android app learn faster with spaced repetition

valenciabsc1010clabmanual pdf net buckcenter edu - May 22 2022

web laboratory manual for anatomy and physiology pharmacology for health professionals education and the state nafsa s guide to international student recruitment industrial

**bsc 1010c lab biology valencia college course hero** - Dec 29 2022

web please see an attachment for details access study documents get answers to your study questions and connect with real tutors for bsc 1010c lab biology at valencia college

**bsc biological sciences valencia college** - Aug 05 2023

web 37 rows general biology ii prerequisite minimum grade of c in bsc 1010c or

**why marigolds are the iconic flower of the day of the dead npr** - May 18 2023

web oct 30 2021 the origins of día de los muertos which begins on nov 1 and ends on nov 2 stretches back centuries in mexico and to a lesser extent a few other latin american countries it s deeply rooted

day of the dead celebrate día de muertos in 2023 rough guides - Jan 14 2023

web jun 14 2023 mesoamerican origins of day of the dead the origins of day of the dead extends back some 3000 years to the death rituals observed by the mesoamerican nahua people in their world view death did not represent a division from life instead life and death were seen as part of the same cycle humans were viewed as a bridge between

**mexico reasons not to celebrate día de los muertos 2022 statista** - May 26 2021

web sep 22 2023 published by statista research department sep 22 2023 only 26 percent of mexicans stated that they do not

celebrate the day of the dead in 2022 the main reason being their religious beliefs

**where and how to celebrate day of the dead in mexico msn** - Nov 12 2022

web 4 mexico city in mexico city día de los muertos can be a week long affair the highlight of the capital s festivities is arguably its parade the desfile de día de muertos which was first

[dia de los muertos history origin of an iconic mexican celebration](#) - Feb 15 2023

web sep 19 2023 the celebration of dia de los muertos has deep historical roots in indigenous mexican cultures dating back over 3 000 years the exact origins are challenging to pinpoint due to the lack of

*day of the dead google arts culture* - Dec 01 2021

web day of the dead explore and celebrate one of mexico s most ancient and popular traditions a celebration of life la catrina the character not to be missed various artists recreate the day of the dead tradition José Guadalupe Posada at the Museo del Estanquillo video traditional aztec dance lvm view all discover more exhibits

*day of the dead wikipedia* - Jun 19 2023

web the day of the dead spanish día de muertos or día de los muertos is a holiday traditionally celebrated on november 1 and 2 though other days such as october 31 or november 6 may be included depending on the locality it is widely observed in mexico where it largely developed and is also observed in other places especially by people of

*what is day of the dead and why does día de los muertos endure nbc news* - Oct 11 2022

web oct 31 2022 nov 1 honors deceased children and nov 2 focuses on adults the day of the dead parade in mexico city on oct 29 2022 claudio cruz afp getty images in mexico nov 1 and 2 are very

**day of the dead how ancient traditions grew into a global holiday** - Apr 05 2022

web oct 29 2020 the day of the dead or día de muertos is an ever evolving holiday that traces its earliest roots to the aztec people in what is now central mexico the aztecs used skulls to honor the dead a

**el día de los muertos in poetry and word jstor daily** - Apr 17 2023

web oct 30 2016 el día de los muertos or day of the dead is a longstanding and time honored holiday with deep historical and cultural roots celebrated in mexico and in many places throughout the united states el día de los muertos and its associated rituals date back thousands of years to ancient mesoamerica where it was celebrated by the olmec

*the day of the dead el dia de los muertos gebundene ausgabe amazon de* - Aug 29 2021

web this hardback book presents a very good collection of images dealing with the culture surrounding the mexican festival el dia de los muertos a huge selection of work from a wide range of diverse art sources and disciplines which includes folk art historical material work from contemporary artists and illustrators and covering painting

*mexico s day of the dead google arts culture* - Mar 16 2023

web dia de muertos or day of the dead is a two day holiday celebrated throughout mexico where it began far from being a sad occasion it is colorful humorous and joyful the holiday reaches back to mexico s pre columbian history and has spread internationally through modern pop culture la nube y el surco el cine de emilio el indio

**when is día de los muertos who celebrates the day of the dead** - Dec 13 2022

web sep 14 2023 day of the dead is observed on all souls day which has been celebrated on november 2 since the 11th century but in mexico día de muertos celebrations typically start a few days before

**review día de los muertos bar with monstruos inspired** - Mar 24 2021

web 13 hours ago celebrate día de los muertos day of the dead at a bar in the central courtyard of universal studios hollywood s upper lot during halloween horror nights 2023 this location is full of beautiful decorations 2 bars and a little cocina with food options let s take a look at everything this area ha

**10 day of the dead facts día de los muertos history oprah daily** - Jan 02 2022

web oct 8 2021 celebrated on november 1 and 2 the mexican holiday honors life rather than mourns death day of the dead or día de los muertos celebrates life with spirited traditions that largely take place across mexico latin america and the united states family and friends come together to honor their lost loved ones on november 1 and 2

*the day of the dead 2007 imdb* - Jul 28 2021

web mar 11 2007 the day of the dead directed by ricardo islas with lily alejandra salomón carmona max da silva christina de leon based on true facts a gang of suburban kids is sport killing home less people just for fun in the streets of chicago one day they decide to try a new excitement by murdering a young mexican working girl

*day of the dead mexican tradition celebrations rituals* - Sep 10 2022

web day of the dead spanish día de los muertos holiday in mexico also observed to a lesser extent in other areas of latin america and in the united states honouring dead loved ones and making peace with the eventuality of death by treating it familiarly without fear and dread the holiday is derived from the rituals of the pre hispanic

five facts about día de los muertos the day of the dead - Sep 29 2021

web sugar skulls monarch butterflies marigolds and traditional paper banners papel picado are all symbols of the día de los muertos courtesy of the smithsonian latino center 3 it s a celebration of life not death ancient mesoamericans believed that death was part of the journey of life

*day of the dead izle dizibox* - Jun 26 2021

web z nation mantığı komikliklerin mevcut olduğu walking dead evrenine alternatif zevkli bir dizi ancak beklentileri çokta yüksek tutmamakta fayda var tek kelime ile kötü bitiremediniz zombileri çeke çeke yapımcıların yeni fikirler bulmadaki acizliği ve izleyicilerin aptallığı hala bu konuyu sattıyorsa

*top 10 things to know about the day of the dead national* - Jul 20 2023

web oct 14 2022 here s one thing we know día de los muertos or day of the dead is not a mexican version of halloween though related the two annual events differ greatly in traditions and tone whereas

*attend the el paso día de los muertos parade this fall only* - Apr 24 2021

web sep 21 2023 presented by the el paso museum of art the city s annual día de los muertos celebration will once again return to the downtown arts district on october 28 2023 festivities kick off at 4 p m sharp and the event is free for all ages there are numerous activities lined up but the parade is by far the most highly anticipated of them all

day of the dead resources national museum of the american - Aug 09 2022

web oct 12 2019 el día de los muertos day of the dead is a day of celebration particularly for the people in mexico and central america and for many mexican americans in the united states the dia de los muertos virtual exhibition was developed by the latino museum s office of digital initiatives photo by al rendón 2022 the story of the

six important día de los muertos symbols bbc bitesize - Feb 03 2022

web on 1 november mexicans celebrate the día de los angelitos day of the little angels for deceased children and 2 november is the día de los muertos for deceased adults according to mexican

what is día de los muertos the day of the dead ted ed - Jun 07 2022

web día de los muertos or day of the dead is a celebration of life and death while the holiday originated in mexico it is celebrated all over latin america the british museum shows how every year the dead are remembered and summoned by the observances of the living who cook make music and decorate their graves watch think

day of the dead 1985 imdb - Oct 31 2021

web jul 19 1985 day of the dead directed by george a romero with lori cardille terry alexander joseph pilato jarlath conroy as the world is overrun by zombies a group of scientists and military personnel sheltering in an underground bunker in florida must determine how they should deal with the undead horde

**day of the dead in mexico the complete guide tripsavvy** - May 06 2022

web jul 2 2022 in this article day of the dead known as día de muertos in spanish is celebrated in mexico between october 31st and november 2nd on this holiday mexicans remember and honor their deceased loved ones it s not a gloomy or morbid occasion rather it is a festive and colorful holiday celebrating the lives of those who have passed on

day of the dead dia de los muertos - Mar 04 2022

web spirits of the adults at midnight of the following day november 2nd the celebrations shift to honor the lives of the departed adults the night is filled with laughter and fun memories much like the night before however the ofrendas take on a more adult like theme with tequila pan de muerto mezcal pulque and jars of atole

**2023 día de muertos barbie doll in pink dress mattel** - Feb 20 2021

web barbie doll is radiant in a pink ruffled dress decorated with sugar skulls and colorful flowers delicate butterflies crown her calavera face paint and she holds her own tiny ofrenda may the 2023 día de muertos barbie doll become a treasured holiday tradition includes doll stand and certificate of authenticity doll cannot stand alone

day of the dead día de los muertos history - Aug 21 2023

web oct 30 2018 copy page link the day of the dead el día de los muertos is a mexican holiday where families welcome back the souls of their deceased relatives for a brief reunion that includes food drink

**día de muertos guide to mexico s day of the dead lonely planet** - Jul 08 2022

web oct 19 2022 día de muertos how to celebrate mexico s day of the dead in 2022 from late october to early november visitors flock to mexico for día de muertos day of the dead an annual remembrance of departed souls the holiday earned a designation as an intangible cultural heritage by unesco in 2003 and encapsulates the country s upbeat

**secondary geography oxford university press china** - Dec 11 2022

web junior secondary exploring geography third edition is written specially for the latest geography curriculum guide secondary 1 3 the series consists of 11 books and is divided into core and elective modules

junior secondary exploring geography workbook 4 answer - Jul 06 2022

web apr 11 2023 junior secondary exploring geography workbook 4 answer 2 6 downloaded from uniport edu ng on april 11 2023 by guest through clearly written integrated and linked topics a full range of key skills activities promotes active learning important geographical skills such as mapwork and data management are taught

junior secondary exploring geography workbook 4 answer - May 04 2022

web nov 2 2022 junior secondary exploring geography workbook 4 answer 2 10 downloaded from cob i cob utsa edu on november 2 2022 by guest disciplines economies industries and governments and even challenging ideas about what it means to be human artificial intelligence is already all around us from supercomputers drones and virtual

**junior secondary exploring geography workbook 4 answer 2023** - Jul 18 2023

web lesson as well as background knowledge and geographical information for specialist and non specialist teachers alike 180 days of geography for kindergarten mar 01 2023 180 days of geography is a fun and effective daily practice workbook designed to help students learn about geography

**junior secondary exploring geography workbook 4 answer** - Mar 02 2022

web apr 28 2023 junior secondary exploring geography workbook 4 answer 1 11 downloaded from uniport edu ng on april 28 2023 by guest junior secondary exploring geography workbook 4 answer right here we have countless book junior secondary exploring geography workbook 4 answer and collections to check out

**junior secondary exploring geography second edition book 4** - Feb 01 2022

web jun 14 2018 junior secondary exploring geography second edition book 4 the trouble with water include 2020  
eresources pack oxford university press china 1 home junior secondary exploring geography second edition book 4 the  
trouble with water include 2020 eresources pack

□□□□□□ lsforum net hkdse hkal □□□□□□ - Mar 14 2023

web we would like to show you a description here but the site won t allow us

junior secondary exploring geography third edition oxford - May 16 2023

web the new series is designed to simplify teachers teaching process and enhance students concept acquisition with a wide  
range of teaching materials and digital supports junior secondary exploring geography third edition motivates students to  
build up their knowledge and skills for geography and also cater for the needs of blended learning

junior secondary exploring geography workbook 4 answer - Dec 31 2021

web apr 17 2023 junior secondary exploring geography workbook 4 answer when people should go to the books stores  
search establishment by shop shelf by shelf it is in fact problematic this is why we give the book compilations in this website  
it will certainly ease you to see guide junior secondary exploring geography workbook 4 answer as

junior secondary exploring geography workbook 4 answer - Aug 07 2022

web may 13 2023 junior secondary exploring geography workbook 4 answer 3 9 downloaded from uniport edu ng on may 13  
2023 by guest the world book encyclopedia 2002 an encyclopedia designed especially to meet the needs of elementary junior  
high and senior high school students geog 3 rosemarie gallagher 2015 03 01 a new edition

*secondary one ccc chuen yuen college* - Oct 09 2022

web junior secondary exploring geography 4 scramble for energy with bilingual online e book with english pronunciation  
second term ip lam wong lee oxford 110 00 22 junior secondary exploring geography 3 workbook first term ip lam wong lee  
oxford 40 00 23 junior secondary exploring geography 4 workbook second term

get the free exploring geography 1 answer form pdf filler - Nov 10 2022

web exploring geography 1 should include information about the geographic features of a particular region such as its  
topography climate vegetation and population it should also include information about the history and culture of the region  
as well as any current issues or challenges that the region is facing

**junior secondary exploring geography third edition 4 course hero** - Apr 15 2023

web junior secondary exploring geography third edition 4 the trouble of water part test a refer figure 2a i identify water  
problem x 1 mark ii explain the causes of the water problem in shenzhen in 2021 support your answers with  
answers secondary oxford university press - Jun 17 2023

web cambridge lower secondary complete english second edition complete computer science for cambridge igcse o level myp mathematics a concept based approach myp sciences a concept based approach ib history ib dp science 2023 cxc study guides activate ks3 science gcse 9 1 geography aqa tricolore 5e édition

*junior secondary exploring geography workbook 4 answer* - Feb 13 2023

web junior secondary exploring geography workbook 4 answer downloaded from ams istanbul edu tr by guest raiden li from paragraph to essay panpac education pte ltd cyclone provides everything you need for junior cycle geography written by experienced teachers with extensive knowledge of the junior cycle framework this

*junior secondary exploring geography workbook 4 answer* - Apr 03 2022

web the costs its more or less what you dependence currently this junior secondary exploring geography workbook 4 answer as one of the most keen sellers here will entirely be in the middle of the best options to review junior secondary exploring geography workbook 4 answer 2021 10 21 mack patricia 11 mc e 1st doc

teaching and learning resources centre - Aug 19 2023

web junior geog 2nd ed map reading exercise 4 in question bank and google forms is now available the brand new teaching resource centre for senior secondary exploring geography third edition is now open 15 02 2019 2nd ed the answers for workbooks have been uploaded 03 10 2017 junior geog 2nd ed the

**junior secondary exploring geography second edition work book 4** - Jan 12 2023

web jul 13 2017 junior secondary exploring geography second edition book 3 food problems include 2020 eresources pack ip lam wong tsui h junior secondary exploring geography second edition book 4 the trouble with water include 2020 eresources pack

*junior secondary exploring geography workbook 4 answer* - Sep 08 2022

web recognizing the mannerism ways to acquire this book junior secondary exploring geography workbook 4 answer is additionally useful you have remained in right site to start getting this info acquire the junior secondary exploring geography workbook 4 answer partner that we pay for here and check out the link

junior secondary exploring geography workbook 4 answer - Jun 05 2022

web junior secondary exploring geography workbook 4 answer is universally compatible with any devices to read the scottish educational journal 1920 the academy 1905