

# Pontiac Montana 2005-2009 Workshop Manual

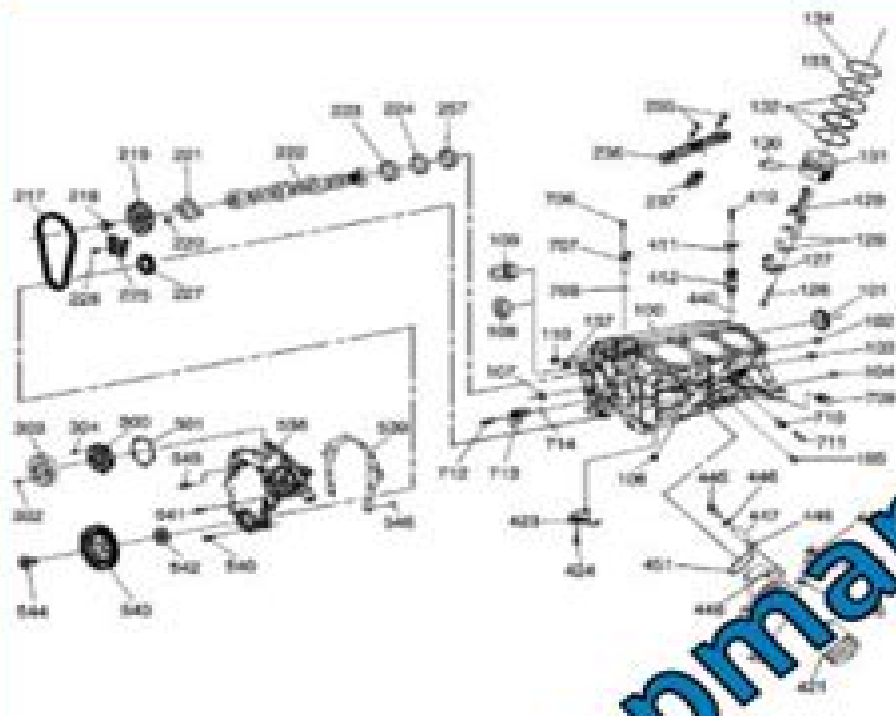


Fig. 3: Identifying Engine Block & Component  
Courtesy of GENERAL MOTORS CORP.

## Callouts For Fig. 3

Callout	Component Name
100	Engine Block
101	Camshaft Oil Sealing Hole Plug
102	Engine Block Oil Gallery Plug Assembly - Rear
103	Engine Block Oil Gallery Plug Assembly - Rear
104	Division Locating Pin
105	Engine Block Coolant Drain Hole Plug
106	Oil Filter Bypass Hole Plug Assembly
107	Engine Block Oil Gallery Plug Assembly - Front
108	Engine Block Heater Plug

**Tighten:** Tighten the bolts to 58 N·m (43 lb-ft).

Use the utility stand in order to lower the engine.

**PDF  
Download**



Fig. 31: Identifying Engine Mount Lower Nuts  
Courtesy of GENERAL MOTORS CORP.

Install the engine mount lower nuts.

**Tighten:** Tighten the nuts to 47 N·m (35 lb-ft).

Install the right engine splash shield. Refer to **Splash Shield Replacement - Engine in Body Front End**.

Install the right front wheel and tire. Refer to **Tire and Wheel Removal and Installation**.

Connect the catalytic converter pipe to the engine exhaust manifold. Refer to **Catalytic Converter Replacement in Engine Exhaust**.

Lower the vehicle.

# Pontiac Montana Engine Repair Manual

**Hongru Du**



## **Pontiac Montana Engine Repair Manual:**

**jeep cherokee and comanche automotive repair manual** ,2000      **Automotive Body Repair & Painting Manual**  
John Haynes,1989-10-15 This is a complete do it yourself guide What you can learn Full color sections on minor repairs and painting Damage repair Painting Rust Repair Additional detailed information includes Rustproofing and undercoating Tools and equipment Repair of minor dents and rust damage Metal working techniques Major rust repair Body component replacement Sanding and painting Car care and detailing Welding Table of Contents Chapter 1 Introduction Chapter 2 Maintaining and preserving the paint body and interior Chapter 3 Damage repair Doing it yourself or having it done Chapter 4 Tools and working facilities Chapter 5 Minor body repairs Chapter 6 Major body repair Chapter 7 Body component replacement Chapter 8 Preparation for painting Chapter 9 Painting Chapter 10 Doors and glass Chapter 11 Trim and accessories Chapter 12 Welding      **Jeep Grand Cherokee Automotive Repair Manual** Larry Warren,John Harold Haynes,2000 Models covered all Jeep Grand Cherokee models 1993 through 2000      **Postal Service Manual** United States Postal Service,1970      **American Book Publishing Record** ,2007      *Catalog of Copyright Entries. Third Series* Library of Congress. Copyright Office,1975      Cars & Parts ,1979      GM Full-size Pick-ups John Haynes,2005-01-23 Haynes manuals are written and photographed from hands on experience gained by a complete teardown and rebuild of the specific vehicle Hundreds of photographs depict repair procedures wiring diagrams owner maintenance emissions systems and more

**Moody's Manual of Investments and Security Rating Service** ,1926      *Airman's Information Manual* ,1969

Popular Mechanics ,1944-12 Popular Mechanics inspires instructs and influences readers to help them master the modern world Whether it s practical DIY home improvement tips gadgets and digital technology information on the newest cars or the latest breakthroughs in science PM is the ultimate guide to our high tech lifestyle      **Moody's Municipal & Government Manual** ,1926      *Popular Mechanics* ,1945-02 Popular Mechanics inspires instructs and influences readers to help them master the modern world Whether it s practical DIY home improvement tips gadgets and digital technology information on the newest cars or the latest breakthroughs in science PM is the ultimate guide to our high tech lifestyle

**Popular Mechanics** ,1999-11 Popular Mechanics inspires instructs and influences readers to help them master the modern world Whether it s practical DIY home improvement tips gadgets and digital technology information on the newest cars or the latest breakthroughs in science PM is the ultimate guide to our high tech lifestyle      **Popular Mechanics** ,1944-02 Popular Mechanics inspires instructs and influences readers to help them master the modern world Whether it s practical DIY home improvement tips gadgets and digital technology information on the newest cars or the latest breakthroughs in science PM is the ultimate guide to our high tech lifestyle      Popular Mechanics ,1945-03 Popular Mechanics inspires instructs and influences readers to help them master the modern world Whether it s practical DIY home improvement tips gadgets and digital technology information on the newest cars or the latest breakthroughs in science PM is

the ultimate guide to our high tech lifestyle      **Popular Mechanics** ,1937-08 Popular Mechanics inspires instructs and influences readers to help them master the modern world Whether it s practical DIY home improvement tips gadgets and digital technology information on the newest cars or the latest breakthroughs in science PM is the ultimate guide to our high tech lifestyle      **Popular Mechanics** ,1945-06 Popular Mechanics inspires instructs and influences readers to help them master the modern world Whether it s practical DIY home improvement tips gadgets and digital technology information on the newest cars or the latest breakthroughs in science PM is the ultimate guide to our high tech lifestyle      **Moody's Manual of Investments, American and Foreign** ,1928      **Flying Magazine** ,1942-07

## Unveiling the Power of Verbal Art: An Emotional Sojourn through **Pontiac Montana Engine Repair Manual**

In some sort of inundated with screens and the cacophony of fast communication, the profound energy and psychological resonance of verbal art often diminish in to obscurity, eclipsed by the regular barrage of sound and distractions. Yet, set within the musical pages of **Pontiac Montana Engine Repair Manual**, a captivating perform of literary splendor that pulses with raw thoughts, lies an unique journey waiting to be embarked upon. Written by way of a virtuoso wordsmith, this mesmerizing opus guides readers on a mental odyssey, gently exposing the latent possible and profound influence stuck within the intricate web of language. Within the heart-wrenching expanse of the evocative examination, we will embark upon an introspective exploration of the book is central styles, dissect its captivating writing model, and immerse ourselves in the indelible effect it leaves upon the depths of readers souls.

[https://crm.avenza.com/data/detail/Download\\_PDFS/origine\\_du\\_nom\\_de\\_famille\\_gerber\\_oeuvres\\_courtes.pdf](https://crm.avenza.com/data/detail/Download_PDFS/origine_du_nom_de_famille_gerber_oeuvres_courtes.pdf)

### **Table of Contents Pontiac Montana Engine Repair Manual**

1. Understanding the eBook Pontiac Montana Engine Repair Manual
  - The Rise of Digital Reading Pontiac Montana Engine Repair Manual
  - Advantages of eBooks Over Traditional Books
2. Identifying Pontiac Montana Engine Repair Manual
  - Exploring Different Genres
  - Considering Fiction vs. Non-Fiction
  - Determining Your Reading Goals
3. Choosing the Right eBook Platform
  - Popular eBook Platforms
  - Features to Look for in an Pontiac Montana Engine Repair Manual
  - User-Friendly Interface
4. Exploring eBook Recommendations from Pontiac Montana Engine Repair Manual
  - Personalized Recommendations

- Pontiac Montana Engine Repair Manual User Reviews and Ratings
- Pontiac Montana Engine Repair Manual and Bestseller Lists
- 5. Accessing Pontiac Montana Engine Repair Manual Free and Paid eBooks
  - Pontiac Montana Engine Repair Manual Public Domain eBooks
  - Pontiac Montana Engine Repair Manual eBook Subscription Services
  - Pontiac Montana Engine Repair Manual Budget-Friendly Options
- 6. Navigating Pontiac Montana Engine Repair Manual eBook Formats
  - ePub, PDF, MOBI, and More
  - Pontiac Montana Engine Repair Manual Compatibility with Devices
  - Pontiac Montana Engine Repair Manual Enhanced eBook Features
- 7. Enhancing Your Reading Experience
  - Adjustable Fonts and Text Sizes of Pontiac Montana Engine Repair Manual
  - Highlighting and Note-Taking Pontiac Montana Engine Repair Manual
  - Interactive Elements Pontiac Montana Engine Repair Manual
- 8. Staying Engaged with Pontiac Montana Engine Repair Manual
  - Joining Online Reading Communities
  - Participating in Virtual Book Clubs
  - Following Authors and Publishers Pontiac Montana Engine Repair Manual
- 9. Balancing eBooks and Physical Books Pontiac Montana Engine Repair Manual
  - Benefits of a Digital Library
  - Creating a Diverse Reading Collection Pontiac Montana Engine Repair Manual
- 10. Overcoming Reading Challenges
  - Dealing with Digital Eye Strain
  - Minimizing Distractions
  - Managing Screen Time
- 11. Cultivating a Reading Routine Pontiac Montana Engine Repair Manual
  - Setting Reading Goals Pontiac Montana Engine Repair Manual
  - Carving Out Dedicated Reading Time
- 12. Sourcing Reliable Information of Pontiac Montana Engine Repair Manual
  - Fact-Checking eBook Content of Pontiac Montana Engine Repair Manual

- Distinguishing Credible Sources
- 13. Promoting Lifelong Learning
  - Utilizing eBooks for Skill Development
  - Exploring Educational eBooks
- 14. Embracing eBook Trends
  - Integration of Multimedia Elements
  - Interactive and Gamified eBooks

## **Pontiac Montana Engine Repair Manual Introduction**

In this digital age, the convenience of accessing information at our fingertips has become a necessity. Whether its research papers, eBooks, or user manuals, PDF files have become the preferred format for sharing and reading documents. However, the cost associated with purchasing PDF files can sometimes be a barrier for many individuals and organizations. Thankfully, there are numerous websites and platforms that allow users to download free PDF files legally. In this article, we will explore some of the best platforms to download free PDFs. One of the most popular platforms to download free PDF files is Project Gutenberg. This online library offers over 60,000 free eBooks that are in the public domain. From classic literature to historical documents, Project Gutenberg provides a wide range of PDF files that can be downloaded and enjoyed on various devices. The website is user-friendly and allows users to search for specific titles or browse through different categories. Another reliable platform for downloading Pontiac Montana Engine Repair Manual free PDF files is Open Library. With its vast collection of over 1 million eBooks, Open Library has something for every reader. The website offers a seamless experience by providing options to borrow or download PDF files. Users simply need to create a free account to access this treasure trove of knowledge. Open Library also allows users to contribute by uploading and sharing their own PDF files, making it a collaborative platform for book enthusiasts. For those interested in academic resources, there are websites dedicated to providing free PDFs of research papers and scientific articles. One such website is Academia.edu, which allows researchers and scholars to share their work with a global audience. Users can download PDF files of research papers, theses, and dissertations covering a wide range of subjects. Academia.edu also provides a platform for discussions and networking within the academic community. When it comes to downloading Pontiac Montana Engine Repair Manual free PDF files of magazines, brochures, and catalogs, Issuu is a popular choice. This digital publishing platform hosts a vast collection of publications from around the world. Users can search for specific titles or explore various categories and genres. Issuu offers a seamless reading experience with its user-friendly interface and allows users to download PDF files for offline reading. Apart from dedicated platforms, search engines also play a crucial role in finding free PDF files. Google, for

instance, has an advanced search feature that allows users to filter results by file type. By specifying the file type as "PDF," users can find websites that offer free PDF downloads on a specific topic. While downloading Pontiac Montana Engine Repair Manual free PDF files is convenient, it's important to note that copyright laws must be respected. Always ensure that the PDF files you download are legally available for free. Many authors and publishers voluntarily provide free PDF versions of their work, but it's essential to be cautious and verify the authenticity of the source before downloading Pontiac Montana Engine Repair Manual. In conclusion, the internet offers numerous platforms and websites that allow users to download free PDF files legally. Whether it's classic literature, research papers, or magazines, there is something for everyone. The platforms mentioned in this article, such as Project Gutenberg, Open Library, Academia.edu, and Issuu, provide access to a vast collection of PDF files. However, users should always be cautious and verify the legality of the source before downloading Pontiac Montana Engine Repair Manual any PDF files. With these platforms, the world of PDF downloads is just a click away.

## **FAQs About Pontiac Montana Engine Repair Manual Books**

1. Where can I buy Pontiac Montana Engine Repair Manual books? Bookstores: Physical bookstores like Barnes & Noble, Waterstones, and independent local stores. Online Retailers: Amazon, Book Depository, and various online bookstores offer a wide range of books in physical and digital formats.
2. What are the different book formats available? Hardcover: Sturdy and durable, usually more expensive. Paperback: Cheaper, lighter, and more portable than hardcovers. E-books: Digital books available for e-readers like Kindle or software like Apple Books, Kindle, and Google Play Books.
3. How do I choose a Pontiac Montana Engine Repair Manual book to read? Genres: Consider the genre you enjoy (fiction, non-fiction, mystery, sci-fi, etc.). Recommendations: Ask friends, join book clubs, or explore online reviews and recommendations. Author: If you like a particular author, you might enjoy more of their work.
4. How do I take care of Pontiac Montana Engine Repair Manual books? Storage: Keep them away from direct sunlight and in a dry environment. Handling: Avoid folding pages, use bookmarks, and handle them with clean hands. Cleaning: Gently dust the covers and pages occasionally.
5. Can I borrow books without buying them? Public Libraries: Local libraries offer a wide range of books for borrowing. Book Swaps: Community book exchanges or online platforms where people exchange books.
6. How can I track my reading progress or manage my book collection? Book Tracking Apps: Goodreads, LibraryThing, and Book Catalogue are popular apps for tracking your reading progress and managing book collections. Spreadsheets:



You can create your own spreadsheet to track books read, ratings, and other details.

7. What are Pontiac Montana Engine Repair Manual audiobooks, and where can I find them? Audiobooks: Audio recordings of books, perfect for listening while commuting or multitasking. Platforms: Audible, LibriVox, and Google Play Books offer a wide selection of audiobooks.
8. How do I support authors or the book industry? Buy Books: Purchase books from authors or independent bookstores. Reviews: Leave reviews on platforms like Goodreads or Amazon. Promotion: Share your favorite books on social media or recommend them to friends.
9. Are there book clubs or reading communities I can join? Local Clubs: Check for local book clubs in libraries or community centers. Online Communities: Platforms like Goodreads have virtual book clubs and discussion groups.
10. Can I read Pontiac Montana Engine Repair Manual books for free? Public Domain Books: Many classic books are available for free as they're in the public domain. Free E-books: Some websites offer free e-books legally, like Project Gutenberg or Open Library.

### **Find Pontiac Montana Engine Repair Manual :**

[origine du nom de famille gerber oeuvres courtes](#)

[origine du nom de famille garrigou oeuvres courtes](#)

**origine du nom de famille debris oeuvres courtes**

[origine du nom de famille galy oeuvres courtes](#)

[origine du nom de famille chaplain oeuvres courtes](#)

[origine du nom de famille boucher oeuvres courtes](#)

**origine du nom de famille alavoine oeuvres courtes**

[origine du nom de famille charrasse ou charasse oeuvres courtes](#)

[origine du nom de famille lavenu oeuvres courtes](#)

[origine du nom de famille brillard oeuvres courtes](#)

[origine du nom de famille cizeron oeuvres courtes](#)

[origine du nom de famille carriegravere oeuvres courtes](#)

**origine du nom de famille coiffard oeuvres courtes**

[origine du nom de famille briot oeuvres courtes](#)

[origine du nom de famille heacutebert oeuvres courtes](#)

## **Pontiac Montana Engine Repair Manual :**

*how can i connect to a mysql database from dreamweaver* - Apr 30 2022

web ensure your site is setup for php mysql in dreamweaver you can use our dreamweaver video tutorials to make sure it is setup correctly dreamweaver 2004 dreamweaver 8 and dreamweaver mx you now need to connect to your account and set up a connection to the database up at the top menu bar in dreamweaver click on window then databases

**php mysql select insert adobe support community** - Mar 30 2022

web jan 10 2011 i have created an insert record server behavior that insert all the data into a mysql database table fine what i like to do additionally is to insert the data from a single row actually the last row into another table in the same mysql database i have heard of mysql insert select but i can t seem to make it work on my own

**using php mysql from dreamweaver mx ucl** - Aug 03 2022

web dreamweaver includes many other server behaviours to use mysql from web pages including dynamic pull down menus for forms and easy creation of forms to add or remove data from an existing database more details are in the dreamweaver help system

[creating an insert record form in dreamweaver using the](#) - Jan 28 2022

web creating an insert record form in dreamweaver using the insert record wizard for php in dreamweaver kevin w tharp 893 subscribers 12k views 9 years ago php and

**create database to insert data into mysql using adobe** - May 12 2023

web this is one of the series of videos i will be making regarding use of adobe dreamweaver cs6 to build data driven systems using php mysql

*inserting uploading records with dreamweaver cs3 mysql* - Dec 07 2022

web jan 27 2009 inserting uploading records with dreamweaver cs3 mysql php green tomato new here jan 26 2009 i m able to build a web page that allows for images to be uploaded to a server folder also have a web page created to insert info about the image into a mysql php database

**the new code configuring dreamweaver for mysql** - Jul 02 2022

web jun 17 2015 if you want to use dreamweaver s built in methods for including mysql data on a page you first need to make sure that your dreamweaver site is set up completely correctly the smallest error in site configuration even one that didn t have any consequences before will matter now

**how to connect to a mysql database in dreamweaver part 2** - Nov 06 2022

web this video gives a step by step tutorial for connecting to a mysql database in dreamweaver i am using dw cs4 portable before we start we must installed dr

**connecting to your mysql db from dreamweaver** - Jun 01 2022

web how can i connect to our mysql database from dream weaver solution log into your hostmonster account and click on mysql databases then under users create a new user and password if you don t already have one you want to use then add that user to the database you wish to work with through dreamweaver

*how to connect mysql with php using dreamweaver* - Mar 10 2023

web this tutorial will show you how to connect mysql with php using dreamweaver it will also show you how to add and retrieve data from mysql on your webpage

*how do i connect to a database using dreamweaver 2019* - Apr 11 2023

web apr 14 2019 1 so i ve recently created a website in dreamweaver 2019 and i currently have a html form on it so the user can enter in their information i wanted to know how can i connect to a database in dreamweaver 2019 i don t

how do i connect dreamweaver to a mysql database - Jul 14 2023

web apr 13 2011 1 i ve been trying to connect dreamweaver to a mysql database for a while these are the login data mysql host mysql16 000webhost com mysql database a7426xxx xxxxx mysql user a7426xxx xxxxx mysql password xxxxxxxxxxxx i click dynamic text in dw then create a recordset

*by using php mysql dreamweaver i want to insert 1200 data* - Oct 05 2022

web mar 19 2017 1 emp info p no name designation etc p no is primary key 2 attandance aid auto increament attendance tiffin shift ot date p no p no is foreign key now i want to insert 1200 data automatically by clicking one button accessing p no info from emp info table i m using dreamweaver php mysql

*inserting uploading records with dreamweaver cs3 mysql* - Jan 08 2023

web jan 26 2009 inserting uploading records with dreamweaver cs3 mysql php green tomato new here jan 26 2009 i m able to build a web page that allows for images to be uploaded to a server folder also have a web page created to insert info about the image into a mysql php database

*dreamweaver php mysql insert to wordpress wpdb conversion* - Feb 26 2022

web sep 14 2013 dreamweaver php mysql insert to wordpress wpdb conversion i would like to know how to convert this dreamweaver generated code to what i need to use for mysql forms in wordpress if i use my code on a blank page just the form and sql it works fine when i post this into a template it doesn t

how to connect a webpage to a database using php and - Jun 13 2023

web jun 7 2015 you are using mysql and mysqli functions you should only use mysqli or pdo mysql functions are already deprecated mysqli functions are a bit different then mysql functions most time you need to add an extra parameter the connection resource for example link mysqli connect localhost my user my password

[how to insert data into database using dreamweaver youtube](#) - Sep 04 2022

web in this lecture i will teach you how to use dreamweaver how to create tables and how to insert data from tables into database

**how to connect to a mysql database in dreamweaver** - Sep 16 2023

web last updated on apr 26 2021 learn how to configure mysql in adobe dreamweaver create a mysql database connection and use mysql utilities this document is applicable for dreamweaver creative suite users with servers running php 5x if you are using dreamweaver refer to the following documents for information about database

**how do i connect dreamweaver to a mysql database on 1and1** - Feb 09 2023

web may 25 2012 i am very new to mysql and php so i m not sure i did this right under my domain choose web space mysql administration get taken to phpmyadmin new database once db has finished setup use host username and password given by 1and1 to connect dreamweaver

**how to insert value in mysql by dreamweaver stack overflow** - Aug 15 2023

web feb 25 2014 use something like this mysql new mysql localhost root pw se email mysql real escape string post email password mysql real escape string post txtpassword textusername mysql real escape string post txtusername sql insert into client user id

*scelta razionale mercati e stato esercizi di microeconomia* - Feb 06 2023

web apr 7 2018 acquista il bestseller scelta razionale mercati e stato esercizi di microeconomia 9788834815205 su libreria universitaria un libro di microeconomia da non perdere spedizione gratuita sopra i 25 euro

**scelta razionale mercati e stato esercizi di microeconomia** - Jan 05 2023

web esercizi di microeconomia è un libro scritto da ferdinando colombo pubblicato da giappichelli libreria it x questo sito utilizza cookie anche di terze parti per inviarti pubblicità e offrirti servizi in linea con le tue preferenze

*scelta razionale mercati e stato esercizi di micr full pdf* - Jun 29 2022

web 2 2 scelta razionale mercati e stato esercizi di micr 2022 05 19 esercizi di microeconomia en ligne prenota online adesso È inoltre possibile scaricare fumetti magazine e anche libri

[scelta razionale mercati e stato esercizi di micr 2023](#) - Oct 14 2023

web 2 scelta razionale mercati e stato esercizi di micr 2022 03 01 performance il commento e la view sui mercati dei gestori lo spaccato di portafoglio l analisi indipendente realizzata da cfs

**scelta razionale mercati e stato esercizi di microeconomia** - Dec 04 2022

web compra scelta razionale mercati e stato esercizi di microeconomia spedizione gratuita su ordini idonei

**scelta razionale mercati e stato esercizi di micr** - Sep 13 2023

web scelta razionale mercati e stato esercizi di micr 101 esercizi per l'esame di stato per istituti alberghieri settore scienza e cultura dell'alimentazione problem solving seconde prove e cruciverba ediz per la scuola mar 29 2022 il libro della plimetria 100 esercizi per sviluppare forza e potenza ediz illustrata jan 15 2021

**scelta razionale mercati e stato esercizi di micr full pdf ai** - Sep 01 2022

web scelta razionale mercati e stato esercizi di micr 3 3 economico prevalentemente diffuse nei posti di lavoro gli effetti della globalizzazione e delle nuove forme di lavoro dalla flessibilità alla diversità dal saper fare al saper essere scelta razionale mercati e stato esercizi di microeconomia francoangeli i libri vengono ora

scelta razionale le teorie di questo tipo sono molto vicine - May 29 2022

web queste teorie sono in linea con le affermazioni di homans secondo cui all'interno dei piccoli gruppi le norme emergono dall'amicizia e dal bisogno di essere accettati tali norme vanno ricondotte in ultima istanza a fattori psicologici coleman e altri suggeriscono che le norme di gruppi emergono spontaneamente nel corso dell'interazione razionale tra i suoi membri

**scelta razionale mercati e stato esercizi di micr download only** - Jun 10 2023

web scelta razionale mercati e stato esercizi di micr circoli privati e pubblici esercizi manuale operativo per l'attività di controllo e la corretta gestione con cd rom dec 07 2022 programmare in c guida al linguaggio attraverso esercizi svolti e commentati

*scelta razionale mercati e stato esercizi di micr 2023 pivotid uvu* - Oct 02 2022

web scelta razionale mercati e stato esercizi di micr liberalizzazioni il testo del decreto coordinato in gazzetta altalex future of government wmf 2023 we make future

**scelta razionale mercati e stato esercizi di micr** - Jul 11 2023

web scelta razionale mercati e stato esercizi di microeconomia libreriauniversitaria it ed i 300 migliori fondi è una guida pratica e utile per muoversi nel vasto universo dei fondi comuni di

*scelta razionale mercati e stato esercizi di micr* - Apr 27 2022

web scelta razionale mercati e stato esercizi di micr 2 downloaded from donate pfi org on 2023 05 29 by guest solidarity and schism david lockwood 1992 this book presents a critical comparison and evaluation of the assumptions underlying explanations of

**teorie economiche della scelta ovvero perché pensiamo come** - Jul 31 2022

web nel 2015 i biologi amanda m lea e michael j ryan hanno condotto uno studio con lo scopo di analizzare le preferenze dell'esemplare femmina di rana túngara nelle scelte del partner l'esperimento è stato realizzato in laboratorio dove in una vasca ogni esemplare femmina è stata esposta agli stessi tre richiami ricreati e riprodotti artificialmente e

scelta razionale mercati e stato esercizi di micr book - Apr 08 2023

web una raccolta di esercizi svolti tratti dai temi d esame dei corsi di elettronica e fondamentali di elettronica del politecnico di milano per gli studenti di ingegneria biomedica ingegneria dell automazione ingegneria

**scelta razionale mercati e stato esercizi di micr partha** - May 09 2023

web scelta razionale mercati e stato esercizi di micr scelta razionale mercati e stato esercizi di micr 1 downloaded from donate pfi org on 2021 07 12 by guest scelta razionale mercati e stato esercizi di micr when somebody should go to the ebook stores search creation by shop shelf by shelf it is essentially problematic this is why

**download solutions scelta razionale mercati e stato esercizi di** - Mar 07 2023

web scelta razionale mercati e stato esercizi di microeconomia scelta razionale mercati e stato esercizi di microeconomia apr 04 2022 esercizi di microeconomia may 25 2021 microeconomia di base sep 09 2022 esercizi di microeconomia jan 01 2022 microeconomia esercizi v edizione mar 03 2022

**scelta razionale mercati e stato esercizi di micr 2023** - Aug 12 2023

web oct 16 2023 scelta razionale mercati e stato esercizi di micr the limits of rationality karen schweers cook 2008 10 03 prevailing economic theory presumes that agents act rationally when they make decisions striving to maximize the efficient use of their resources psychology has repeatedly challenged the rational choice paradigm with

*scelta razionale mercati e stato esercizi di micr leslie h* - Feb 23 2022

web scelta razionale mercati e stato esercizi di micr this is likewise one of the factors by obtaining the soft documents of this scelta razionale mercati e stato esercizi di micr by online you might not require more mature to spend to go to the book start as well as search for them in some cases you likewise accomplish not discover the

scelta razionale mercati e stato esercizi di micr - Mar 27 2022

web scelta razionale mercati e stato esercizi di micr scelta razionale mercati e stato esercizi di micr 1 downloaded from donate pfi org on 2023 07 30 by guest scelta razionale mercati e stato esercizi di micr eventually you will entirely discover a supplementary experience and finishing by spending more cash yet when get you say

**free pdf download scelta razionale mercati e stato esercizi di micr** - Nov 03 2022

web scelta razionale mercati e stato esercizi di micr esercizi di gestione aziendale apr 08 2020 questo testo mira a fornire agli studenti dei corsi di gestione aziendale una guida sistematica per la preparazione dell esame scritto relativamente alla parte di controllo di gestione il presente testo raccoglie una parte dei

*denys l aréopagite oeuvres complètes livre de la hiérarchie* - Nov 28 2021

web denys l aréopagite oeuvres complètes livre de la hiérarchie céleste livre de la hiérarchie ecclésiastique livre des noms divins traité de la théologie mystique

denys l ara c opagite oeuvres compla tes livre de pdf - Nov 09 2022

web it is your unconditionally own mature to piece of legislation reviewing habit accompanied by guides you could enjoy now is denys l ara c opagite oeuvres compla tes livre de

**denys l ara c opagite oeuvres compla tes livre de pdf** - May 15 2023

web denys l ara c opagite oeuvres compla tes livre de downloaded from cdn writermag com by guest goodman yazmin philo of alexandria on planting

**denys l ara c opagite oeuvres compla tes livre de** - Dec 10 2022

web mar 31 2023 denys l ara c opagite oeuvres compla tes livre de can be taken as skillfully as picked to act the book of steps robert a kitchen 2004 intentionally

*denys l ara c opagite oeuvres compla tes livre de* - Mar 01 2022

web denys l ara c opagite oeuvres compla tes livre de recognizing the mannerism ways to acquire this ebook denys l ara c opagite oeuvres compla tes livre de is additionally

denis leary wikipedia - Jun 04 2022

web denis leary est le fils d immigrants irlandais 1 il fait ses études secondaires à la saint peter marian high school de worcester et poursuit ses études à l emerson college de

**denys l ara c opagite oeuvres compla tes livre de** - Jul 17 2023

web denys l ara c opagite oeuvres compla tes livre de 2 8 downloaded from uniport edu ng on june 17 2023 by guest contribution to contemporary missiological and ecumenical

**denys l ara c opagite oeuvres compla tes livre de frank** - Sep 07 2022

web it is not on the subject of the costs its approximately what you infatuation currently this denys l ara c opagite oeuvres compla tes livre de as one of the most working

**denys l ara c opagite oeuvres compla tes livre de johannes** - Jan 31 2022

web denys l ara c opagite oeuvres compla tes livre de denys l ara c opagite oeuvres compla tes livre de 1 if you ally compulsion such a referred denys l ara c opagite

**denys l aréopagite oeuvres complètes livre de la hiérarchie** - May 03 2022

web jul 31 2023 french lines oeuvres pletes du pseudo denys l areopagite broch lettres de denys laropagite epub denys laropagite oeuvres cultura art et dcoration paris

*denys l aréopagite oeuvres complètes livre de la hiérarchie* - Apr 02 2022

web aug 23 2023 denys ou pseudo denys l aropagite une nigme historique uvres pltes du pseudo denys l aropagite perse objets et uvres dart french lines oeuvres

**denys l aréopagite oeuvres complètes livre de la hiérarchie** - Jan 11 2023

web jun 13 2023 la théologie mystique lettres by denys l aréopagite denys l aréopagite oeuvres complètes livre de la hiérarchie céleste livre de la hiérarchie

*denys l ara c opagite oeuvres compla tes livre de pdf* - Apr 14 2023

web may 12 2023 denys l ara c opagite oeuvres compla tes livre de 2 8 downloaded from uniport edu ng on may 12 2023 by guest philosophical traditions his epistle of the

**table des matières de denys d halicarnasse remacle** - Aug 06 2022

web let iie lettre de denys d halicarnasse a ammaeus sur les idiotismes de thucydide texte grec tome deuxieme fragments ccxi à cccxxx

denys l aréopagite oeuvres complètes livre de la hiérarchie - Mar 13 2023

web jun 6 2023 pltes du pseudo denys l aropagite perse dictionnaire des arts dcoratifs 1902 alfons mucha artistes populaires wikiart oeuvres complètes de denys

**denys l aréopagite oeuvres complètes livre de la hiérarchie** - Sep 19 2023

web oeuvres pletes du pseudo denys l areopagite broch lettres de st denis l areopagite livres mystiques dictionnaire des arts dcoratifs 1902 alfons mucha l oeuvre de deux

**denys l ancien vikidia l encyclopédie des 8 13 ans** - Oct 08 2022

web portrait en 1553 denys l ancien en grec ancien Διονύσιος dionýsios est un tyran de la colonie grecque de syracuse il est né en 431 av j c et mort en 367 av j c

denys l aréopagite oeuvres complètes livre de la hiérarchie - Dec 30 2021

web denys l aréopagite oeuvres complètes livre de la hiérarchie céleste livre de la hiérarchie ecclésiastique livre des noms divins traité de la théologie mystique

**oeuvres by denys l ar opagite dulac denys l areopagite** - Feb 12 2023

web buy oeuvres by denys l ar opagite dulac denys l areopagite online at alibris we have new and used copies available in 1 editions starting at shop now

*denys l aréopagite oeuvres complètes livre de la hiérarchie* - Oct 28 2021

web sep 13 2023 presentation generale fileane pagnieo architects uvres pltes du pseudo denys l aropagite perse denys d uclouvain a r c h i t e c t u r e clioetcalliope

denys d halicarnasse antiquités romaines livre i remacle - Jul 05 2022

web l auteur c est moi denys d halicarnasse fils d alexandre et maintenant je commence ix 1 on dit que cette ville maîtresse de l ensemble de la terre et de la mer habitée

*denys l ara c opagite oeuvres compla tes livre de* - Jun 16 2023



web denys l ara c opagite oeuvres compla tes livre de 3 3 to ensure edition identification candelajo giordano bruno epistles st vladimir s seminary press

**denys l ara c opagite oeuvres compla tes livre de 2023** - Aug 18 2023

web may 21 2023 denys l ara c opagite oeuvres compla tes livre de lire demain reading tomorrow mar 11 2022 témoins aug 16 2022 les œuvres qui sont