

Model View Illustrations

The following model views show typical features of the engine. Due to individual applications, your engine may appear different from the illustrations.

Engine Views

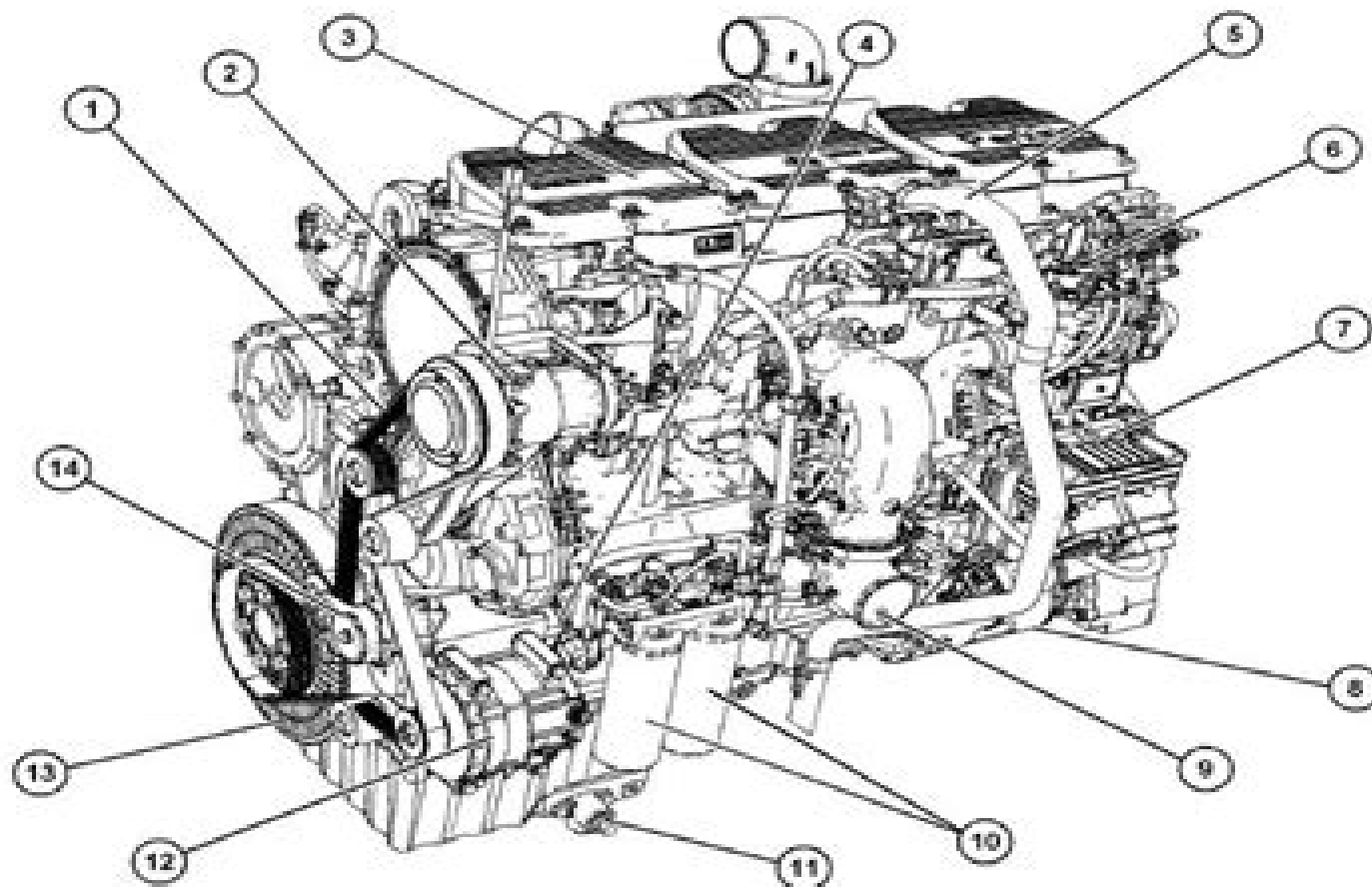


Illustration 13

g06045642

Typical example

- (1) Drive belt
- (2) Refrigerant compressor
- (3) Valve mechanism cover
- (4) Fuel pump
- (5) Breather outlet hose

- (6) NOx Reduction System (NRS) valve
- (7) Electronic control modules
- (8) Starting motor
- (9) Air intake
- (10) Secondary fuel filters

- (11) Adaptor of oil drain

Perkins 2430 Series Service Manual

D Keegan



Perkins 2430 Series Service Manual:

Whispering the Secrets of Language: An Mental Quest through **Perkins 2430 Series Service Manual**

In a digitally-driven world wherever monitors reign great and instant interaction drowns out the subtleties of language, the profound secrets and mental subtleties hidden within phrases frequently move unheard. However, set within the pages of **Perkins 2430 Series Service Manual** a interesting fictional prize pulsing with organic feelings, lies a fantastic journey waiting to be undertaken. Written by an experienced wordsmith, that enchanting opus encourages readers on an introspective journey, gently unraveling the veiled truths and profound affect resonating within the very fabric of every word. Within the psychological depths of the poignant review, we can embark upon a sincere exploration of the book is core themes, dissect its charming publishing type, and fail to the strong resonance it evokes serious within the recesses of readers hearts.

<https://crm.avenza.com/public/uploaded-files/default.aspx/samsung%20sggh%20z300%20cell%20phones%20owners%20manual.pdf>

Table of Contents Perkins 2430 Series Service Manual

1. Understanding the eBook Perkins 2430 Series Service Manual
 - The Rise of Digital Reading Perkins 2430 Series Service Manual
 - Advantages of eBooks Over Traditional Books
2. Identifying Perkins 2430 Series Service Manual
 - Exploring Different Genres
 - Considering Fiction vs. Non-Fiction
 - Determining Your Reading Goals
3. Choosing the Right eBook Platform
 - Popular eBook Platforms
 - Features to Look for in an Perkins 2430 Series Service Manual
 - User-Friendly Interface
4. Exploring eBook Recommendations from Perkins 2430 Series Service Manual

- Personalized Recommendations
 - Perkins 2430 Series Service Manual User Reviews and Ratings
 - Perkins 2430 Series Service Manual and Bestseller Lists
5. Accessing Perkins 2430 Series Service Manual Free and Paid eBooks
 - Perkins 2430 Series Service Manual Public Domain eBooks
 - Perkins 2430 Series Service Manual eBook Subscription Services
 - Perkins 2430 Series Service Manual Budget-Friendly Options
 6. Navigating Perkins 2430 Series Service Manual eBook Formats
 - ePub, PDF, MOBI, and More
 - Perkins 2430 Series Service Manual Compatibility with Devices
 - Perkins 2430 Series Service Manual Enhanced eBook Features
 7. Enhancing Your Reading Experience
 - Adjustable Fonts and Text Sizes of Perkins 2430 Series Service Manual
 - Highlighting and Note-Taking Perkins 2430 Series Service Manual
 - Interactive Elements Perkins 2430 Series Service Manual
 8. Staying Engaged with Perkins 2430 Series Service Manual
 - Joining Online Reading Communities
 - Participating in Virtual Book Clubs
 - Following Authors and Publishers Perkins 2430 Series Service Manual
 9. Balancing eBooks and Physical Books Perkins 2430 Series Service Manual
 - Benefits of a Digital Library
 - Creating a Diverse Reading Collection Perkins 2430 Series Service Manual
 10. Overcoming Reading Challenges
 - Dealing with Digital Eye Strain
 - Minimizing Distractions
 - Managing Screen Time
 11. Cultivating a Reading Routine Perkins 2430 Series Service Manual
 - Setting Reading Goals Perkins 2430 Series Service Manual
 - Carving Out Dedicated Reading Time
 12. Sourcing Reliable Information of Perkins 2430 Series Service Manual

- Fact-Checking eBook Content of Perkins 2430 Series Service Manual
 - Distinguishing Credible Sources
13. Promoting Lifelong Learning
- Utilizing eBooks for Skill Development
 - Exploring Educational eBooks
14. Embracing eBook Trends
- Integration of Multimedia Elements
 - Interactive and Gamified eBooks

Perkins 2430 Series Service Manual Introduction

In this digital age, the convenience of accessing information at our fingertips has become a necessity. Whether its research papers, eBooks, or user manuals, PDF files have become the preferred format for sharing and reading documents. However, the cost associated with purchasing PDF files can sometimes be a barrier for many individuals and organizations. Thankfully, there are numerous websites and platforms that allow users to download free PDF files legally. In this article, we will explore some of the best platforms to download free PDFs. One of the most popular platforms to download free PDF files is Project Gutenberg. This online library offers over 60,000 free eBooks that are in the public domain. From classic literature to historical documents, Project Gutenberg provides a wide range of PDF files that can be downloaded and enjoyed on various devices. The website is user-friendly and allows users to search for specific titles or browse through different categories. Another reliable platform for downloading Perkins 2430 Series Service Manual free PDF files is Open Library. With its vast collection of over 1 million eBooks, Open Library has something for every reader. The website offers a seamless experience by providing options to borrow or download PDF files. Users simply need to create a free account to access this treasure trove of knowledge. Open Library also allows users to contribute by uploading and sharing their own PDF files, making it a collaborative platform for book enthusiasts. For those interested in academic resources, there are websites dedicated to providing free PDFs of research papers and scientific articles. One such website is Academia.edu, which allows researchers and scholars to share their work with a global audience. Users can download PDF files of research papers, theses, and dissertations covering a wide range of subjects. Academia.edu also provides a platform for discussions and networking within the academic community. When it comes to downloading Perkins 2430 Series Service Manual free PDF files of magazines, brochures, and catalogs, Issuu is a popular choice. This digital publishing platform hosts a vast collection of publications from around the world. Users can search for specific titles or explore various categories and genres. Issuu offers a seamless reading experience with its user-friendly interface and allows users to download PDF files for offline reading. Apart from

dedicated platforms, search engines also play a crucial role in finding free PDF files. Google, for instance, has an advanced search feature that allows users to filter results by file type. By specifying the file type as "PDF," users can find websites that offer free PDF downloads on a specific topic. While downloading Perkins 2430 Series Service Manual free PDF files is convenient, its important to note that copyright laws must be respected. Always ensure that the PDF files you download are legally available for free. Many authors and publishers voluntarily provide free PDF versions of their work, but its essential to be cautious and verify the authenticity of the source before downloading Perkins 2430 Series Service Manual. In conclusion, the internet offers numerous platforms and websites that allow users to download free PDF files legally. Whether its classic literature, research papers, or magazines, there is something for everyone. The platforms mentioned in this article, such as Project Gutenberg, Open Library, Academia.edu, and Issuu, provide access to a vast collection of PDF files. However, users should always be cautious and verify the legality of the source before downloading Perkins 2430 Series Service Manual any PDF files. With these platforms, the world of PDF downloads is just a click away.

FAQs About Perkins 2430 Series Service Manual Books

1. Where can I buy Perkins 2430 Series Service Manual books? Bookstores: Physical bookstores like Barnes & Noble, Waterstones, and independent local stores. Online Retailers: Amazon, Book Depository, and various online bookstores offer a wide range of books in physical and digital formats.
2. What are the different book formats available? Hardcover: Sturdy and durable, usually more expensive. Paperback: Cheaper, lighter, and more portable than hardcovers. E-books: Digital books available for e-readers like Kindle or software like Apple Books, Kindle, and Google Play Books.
3. How do I choose a Perkins 2430 Series Service Manual book to read? Genres: Consider the genre you enjoy (fiction, non-fiction, mystery, sci-fi, etc.). Recommendations: Ask friends, join book clubs, or explore online reviews and recommendations. Author: If you like a particular author, you might enjoy more of their work.
4. How do I take care of Perkins 2430 Series Service Manual books? Storage: Keep them away from direct sunlight and in a dry environment. Handling: Avoid folding pages, use bookmarks, and handle them with clean hands. Cleaning: Gently dust the covers and pages occasionally.
5. Can I borrow books without buying them? Public Libraries: Local libraries offer a wide range of books for borrowing. Book Swaps: Community book exchanges or online platforms where people exchange books.
6. How can I track my reading progress or manage my book collection? Book Tracking Apps: Goodreads, LibraryThing,

and Book Catalogue are popular apps for tracking your reading progress and managing book collections. Spreadsheets: You can create your own spreadsheet to track books read, ratings, and other details.

7. What are Perkins 2430 Series Service Manual audiobooks, and where can I find them? Audiobooks: Audio recordings of books, perfect for listening while commuting or multitasking. Platforms: Audible, LibriVox, and Google Play Books offer a wide selection of audiobooks.
8. How do I support authors or the book industry? Buy Books: Purchase books from authors or independent bookstores. Reviews: Leave reviews on platforms like Goodreads or Amazon. Promotion: Share your favorite books on social media or recommend them to friends.
9. Are there book clubs or reading communities I can join? Local Clubs: Check for local book clubs in libraries or community centers. Online Communities: Platforms like Goodreads have virtual book clubs and discussion groups.
10. Can I read Perkins 2430 Series Service Manual books for free? Public Domain Books: Many classic books are available for free as they're in the public domain. Free E-books: Some websites offer free e-books legally, like Project Gutenberg or Open Library.

Find Perkins 2430 Series Service Manual :

[samsung sgh z300 cell phones owners manual](#)

samsung ln46b750 tvs owners manual

[samsung sgh j750 service manual](#)

~~samsung radio user manual~~

~~samsung ln s3251d manual~~

~~samsung sl630 digital cameras owners manual~~

samsung lcd tv service manual

[samsung mobile sgh d980 operating manual](#)

samsung ppm50m5hs service manual repair guide

samsung sf510 sf410 service manual repair guides

~~samsung hp s5073 plasma tv service manual~~

~~samsung manual for fridge~~

samsung m520 user guide

samsung sch x230 cell phones owners manual

[samsung monitor user manual](#)

Perkins 2430 Series Service Manual :

Flyboys: A True Story of Courage by Bradley, James Flyboys: A True Story of Courage by Bradley, James Flyboys: A True Story of Courage Flyboys: A True Story of Courage is a 2003 nonfiction book by writer James Bradley, and was a national bestseller in the US. The book details a World War II ... Amazon.com: Flyboys: A True Story of Courage Flyboys, a story of war and horror but also of friendship and honor, tells the story of those men. Over the remote Pacific island of Chichi Jima, nine American ... Flyboys by James Bradley | Hachette Book Group Flyboys is a story of war and horror but also of friendship and honor. It is about how we die, and how we live-including the tale of the Flyboy who escaped ... Flyboys: A True Story of Courage Flyboys is a story of war and horror but also of friendship and honor. It is about how we die, and how we live-including the tale of the Flyboy who escaped ... Flyboys: A True Story of Courage by James D. Bradley Flyboys is a story of war and horror but also of friendship and honor. It is about how we die, and how we live-including the tale of the Flyboy who escaped ... Book Review: Flyboys: A True Story of Courage by James ... Sep 30, 2020 — Flyboys is the devastating story of nine American aviators (Flyboys) who were shot down over the Japanese island of Chichi Jima during World ... FLYBOYS: A True Story of Courage The author of Flags of Our Fathers achieves considerable but not equal success in this new Pacific War-themed history. Again he approaches the conflict focused ... Bradley, James - Flyboys: A True Story of Courage This acclaimed bestseller brilliantly illuminates a hidden piece of World War II history as it tells the harrowing true story of nine American airmen shot down ... Flyboys: A True Story of Courage book by James D. Bradley Buy a cheap copy of Flyboys: A True Story of Courage book by James D. Bradley. Over the remote Pacific island of Chichi Jima, nine American flyers-Navy and ... Repair manuals and video tutorials on PEUGEOT 207 CC ... PEUGEOT 207 CC maintenance and PDF repair manuals with illustrations ... Want to get more useful information? Ask questions or share your repair experience on the ... Peugeot 207 CC (A7) - 2D 2007-03->2015-06 Haynes guides are your go-to for Peugeot 207. Achieve maintenance mastery with our clear-cut instructions and DIY support for models since since 2007. Repair manuals and video tutorials on PEUGEOT 207 PEUGEOT 207 PDF service and repair manuals with illustrations. Peugeot 207 Saloon workshop manual online. How to change serpentine belt on Peugeot 207 hatchback ... 207 1.6 turbo workshop manual? Oct 3, 2018 — Hi, I'm new to the forum having just bought a 2012, 207 cc turbo sport II. I've been looking online to buy a workshop manual for this model ... Peugeot 207 2006 - 2010 Haynes Repair Manuals & Guides Need to service or repair your Peugeot 207 2006 - 2010? Online and print formats ... Also covers major mechanical features of CC (Coupe Cabriolet) and Van. Peugeot 207 Repair & Service Manuals (78 PDF's Peugeot 207 workshop manual covering Lubricants, fluids and tyre pressures; Peugeot 207 service PDF's covering routine maintenance and servicing; Detailed ... User manual Peugeot 207 CC (2007) (English - 194 pages) Manual.

View the manual for the Peugeot 207 CC (2007) here, for free. This manual comes under the category cars and has been rated by 34 people with an ... Peugeot 207 ('06 to '13) 06 to 09 by Haynes Part of series. Owners' Workshop Manual ; Print length. 384 pages ; Language. English ; Publisher. J H Haynes & Co Ltd ; Publication date. May 28, 2019. Peugeot 207 Workshop Repair Manual Download Peugeot 207 Manual Download. Peugeot 207 workshop service repair manual. Compatible with All PC Operating Systems Windows 10, 8.1, 8, 7, Vista, ... Peugeot 207 CC 2010 Repair Manual View, print and download for free: Peugeot 207 CC 2010 Repair Manual, 207 Pages, PDF Size: 9.74 MB. Search in Peugeot 207 CC 2010 Repair Manual online. Can anyone help me with a sample letter of explanation for ... Mar 7, 2022 — We can only process citizenship applications urgently in special cases. We check every urgent request to see if it meets the conditions for ... Request for Sample Letter for citizenship application urgent ... Jan 29, 2022 — Hello All, Please help me with this request. I need a Sample letter for citizenship application urgent processing as I have an a conditional job ... Urgent Citizenship Ceremony Request Letter Fill Urgent Citizenship Ceremony Request Letter, Edit online. Sign, fax and printable from PC, iPad, tablet or mobile with pdfFiller ☐ Instantly. Try Now! How to Request Urgent Processing of Your Citizenship ... Aug 6, 2021 — A letter explaining the urgency of your travel. A proof of the urgency you have outlined such as: A doctor's note; A death certificate; A letter ... Request to be considered for an urgent Citizenship ceremony You will receive a letter of invitation from either your local council or ... • A completed “Request to be considered for an urgent Citizenship ceremony” form. How to Make an Expedite Request Oct 20, 2022 — ... request must demonstrate an urgent need to expedite the case based on ... Examples may include a medical professional urgently needed for medical ... When and how do I apply urgently for a citizenship certificate? Include with your application. a letter explaining why you need urgent processing; documents to support your explanation ... Write “Urgent - Citizenship ... How To Write a USCIS Cover Letter May 4, 2023 — This specific cover letter sample is for a naturalization application, intended for submission alongside Form N-400. Be sure to personalize this ... Apply for citizenship: Urgent processing Sep 15, 2023 — Write “Request Urgent Processing - Grant of Citizenship” in large, dark letters on the envelope; Mail your application to the address in the ...