



DVD CAMCORDER

Chassis : Rainbow Mega

BASIC : SC-DC563

Application Models

: SC-DC563/DC564/DC565

Application Area

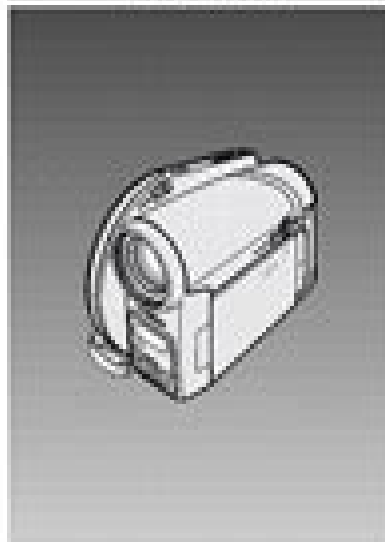
: XAA, XAD, XAC, ETC, RCL, XAP, TWR, GEN,
ZAM, SAM, AFS, XBS, XAZ, XSH, XAX, NTS



SERVICE Manual

DVD CAMCORDER

Main & Character regarding Product



- ① Sleeting & compact Design
- ② Dual DVD-R, -RW, +RW, +RSL(Dual Layer)
- ③ Multi Memory Card Slot
- ④ Direct Print System / PrintBridge™
- ⑤ LED Light
- ⑥ High quality MPEG4
- ⑦ Still Image Interpolation
- ⑧ Real Wide mode (W-H/WIDE) LCD
- ⑨ 20X ZOOM
- ⑩ DVD 2.0 Streaming

The Service Manual is a property of Samsung Electronics Co., Ltd.
Any unauthorized use of Manual can be punished under applicable
national and/or international law.

© Samsung Electronics Co., Ltd. 2008. 2008
Printed in Korea
EUC-2008A

Samsung Sc Dc563 Camcorders Owners Manual

J Ma



Samsung Sc Dc563 Camcorders Owners Manual:

When somebody should go to the ebook stores, search creation by shop, shelf by shelf, it is in point of fact problematic. This is why we present the ebook compilations in this website. It will unquestionably ease you to see guide **Samsung Sc Dc563 Camcorders Owners Manual** as you such as.

By searching the title, publisher, or authors of guide you essentially want, you can discover them rapidly. In the house, workplace, or perhaps in your method can be every best place within net connections. If you endeavor to download and install the Samsung Sc Dc563 Camcorders Owners Manual, it is unquestionably easy then, previously currently we extend the link to buy and make bargains to download and install Samsung Sc Dc563 Camcorders Owners Manual so simple!

<https://crm.avenza.com/About/uploaded-files/default.aspx/sap%20treasury%20and%20risk%20management%20configuration%20guide.pdf>

Table of Contents Samsung Sc Dc563 Camcorders Owners Manual

1. Understanding the eBook Samsung Sc Dc563 Camcorders Owners Manual
 - The Rise of Digital Reading Samsung Sc Dc563 Camcorders Owners Manual
 - Advantages of eBooks Over Traditional Books
2. Identifying Samsung Sc Dc563 Camcorders Owners Manual
 - Exploring Different Genres
 - Considering Fiction vs. Non-Fiction
 - Determining Your Reading Goals
3. Choosing the Right eBook Platform
 - Popular eBook Platforms
 - Features to Look for in an Samsung Sc Dc563 Camcorders Owners Manual
 - User-Friendly Interface
4. Exploring eBook Recommendations from Samsung Sc Dc563 Camcorders Owners Manual
 - Personalized Recommendations
 - Samsung Sc Dc563 Camcorders Owners Manual User Reviews and Ratings

- Samsung Sc Dc563 Camcorders Owners Manual and Bestseller Lists
- 5. Accessing Samsung Sc Dc563 Camcorders Owners Manual Free and Paid eBooks
 - Samsung Sc Dc563 Camcorders Owners Manual Public Domain eBooks
 - Samsung Sc Dc563 Camcorders Owners Manual eBook Subscription Services
 - Samsung Sc Dc563 Camcorders Owners Manual Budget-Friendly Options
- 6. Navigating Samsung Sc Dc563 Camcorders Owners Manual eBook Formats
 - ePub, PDF, MOBI, and More
 - Samsung Sc Dc563 Camcorders Owners Manual Compatibility with Devices
 - Samsung Sc Dc563 Camcorders Owners Manual Enhanced eBook Features
- 7. Enhancing Your Reading Experience
 - Adjustable Fonts and Text Sizes of Samsung Sc Dc563 Camcorders Owners Manual
 - Highlighting and Note-Taking Samsung Sc Dc563 Camcorders Owners Manual
 - Interactive Elements Samsung Sc Dc563 Camcorders Owners Manual
- 8. Staying Engaged with Samsung Sc Dc563 Camcorders Owners Manual
 - Joining Online Reading Communities
 - Participating in Virtual Book Clubs
 - Following Authors and Publishers Samsung Sc Dc563 Camcorders Owners Manual
- 9. Balancing eBooks and Physical Books Samsung Sc Dc563 Camcorders Owners Manual
 - Benefits of a Digital Library
 - Creating a Diverse Reading Collection Samsung Sc Dc563 Camcorders Owners Manual
- 10. Overcoming Reading Challenges
 - Dealing with Digital Eye Strain
 - Minimizing Distractions
 - Managing Screen Time
- 11. Cultivating a Reading Routine Samsung Sc Dc563 Camcorders Owners Manual
 - Setting Reading Goals Samsung Sc Dc563 Camcorders Owners Manual
 - Carving Out Dedicated Reading Time
- 12. Sourcing Reliable Information of Samsung Sc Dc563 Camcorders Owners Manual
 - Fact-Checking eBook Content of Samsung Sc Dc563 Camcorders Owners Manual
 - Distinguishing Credible Sources

13. Promoting Lifelong Learning
 - Utilizing eBooks for Skill Development
 - Exploring Educational eBooks
14. Embracing eBook Trends
 - Integration of Multimedia Elements
 - Interactive and Gamified eBooks

Samsung Sc Dc563 Camcorders Owners Manual Introduction

Free PDF Books and Manuals for Download: Unlocking Knowledge at Your Fingertips In today's fast-paced digital age, obtaining valuable knowledge has become easier than ever. Thanks to the internet, a vast array of books and manuals are now available for free download in PDF format. Whether you are a student, professional, or simply an avid reader, this treasure trove of downloadable resources offers a wealth of information, conveniently accessible anytime, anywhere. The advent of online libraries and platforms dedicated to sharing knowledge has revolutionized the way we consume information. No longer confined to physical libraries or bookstores, readers can now access an extensive collection of digital books and manuals with just a few clicks. These resources, available in PDF, Microsoft Word, and PowerPoint formats, cater to a wide range of interests, including literature, technology, science, history, and much more. One notable platform where you can explore and download free Samsung Sc Dc563 Camcorders Owners Manual PDF books and manuals is the internet's largest free library. Hosted online, this catalog compiles a vast assortment of documents, making it a veritable goldmine of knowledge. With its easy-to-use website interface and customizable PDF generator, this platform offers a user-friendly experience, allowing individuals to effortlessly navigate and access the information they seek. The availability of free PDF books and manuals on this platform demonstrates its commitment to democratizing education and empowering individuals with the tools needed to succeed in their chosen fields. It allows anyone, regardless of their background or financial limitations, to expand their horizons and gain insights from experts in various disciplines. One of the most significant advantages of downloading PDF books and manuals lies in their portability. Unlike physical copies, digital books can be stored and carried on a single device, such as a tablet or smartphone, saving valuable space and weight. This convenience makes it possible for readers to have their entire library at their fingertips, whether they are commuting, traveling, or simply enjoying a lazy afternoon at home. Additionally, digital files are easily searchable, enabling readers to locate specific information within seconds. With a few keystrokes, users can search for keywords, topics, or phrases, making research and finding relevant information a breeze. This efficiency saves time and effort, streamlining the learning process and allowing individuals to focus on extracting the information they need. Furthermore, the availability of free PDF books and manuals

fosters a culture of continuous learning. By removing financial barriers, more people can access educational resources and pursue lifelong learning, contributing to personal growth and professional development. This democratization of knowledge promotes intellectual curiosity and empowers individuals to become lifelong learners, promoting progress and innovation in various fields. It is worth noting that while accessing free Samsung Sc Dc563 Camcorders Owners Manual PDF books and manuals is convenient and cost-effective, it is vital to respect copyright laws and intellectual property rights. Platforms offering free downloads often operate within legal boundaries, ensuring that the materials they provide are either in the public domain or authorized for distribution. By adhering to copyright laws, users can enjoy the benefits of free access to knowledge while supporting the authors and publishers who make these resources available. In conclusion, the availability of Samsung Sc Dc563 Camcorders Owners Manual free PDF books and manuals for download has revolutionized the way we access and consume knowledge. With just a few clicks, individuals can explore a vast collection of resources across different disciplines, all free of charge. This accessibility empowers individuals to become lifelong learners, contributing to personal growth, professional development, and the advancement of society as a whole. So why not unlock a world of knowledge today? Start exploring the vast sea of free PDF books and manuals waiting to be discovered right at your fingertips.

FAQs About Samsung Sc Dc563 Camcorders Owners Manual Books

What is a Samsung Sc Dc563 Camcorders Owners Manual PDF? A PDF (Portable Document Format) is a file format developed by Adobe that preserves the layout and formatting of a document, regardless of the software, hardware, or operating system used to view or print it. **How do I create a Samsung Sc Dc563 Camcorders Owners Manual PDF?** There are several ways to create a PDF: Use software like Adobe Acrobat, Microsoft Word, or Google Docs, which often have built-in PDF creation tools. Print to PDF: Many applications and operating systems have a "Print to PDF" option that allows you to save a document as a PDF file instead of printing it on paper. Online converters: There are various online tools that can convert different file types to PDF. **How do I edit a Samsung Sc Dc563 Camcorders Owners Manual PDF?** Editing a PDF can be done with software like Adobe Acrobat, which allows direct editing of text, images, and other elements within the PDF. Some free tools, like PDFescape or Smallpdf, also offer basic editing capabilities. **How do I convert a Samsung Sc Dc563 Camcorders Owners Manual PDF to another file format?** There are multiple ways to convert a PDF to another format: Use online converters like Smallpdf, Zamzar, or Adobe Acrobats export feature to convert PDFs to formats like Word, Excel, JPEG, etc. Software like Adobe Acrobat, Microsoft Word, or other PDF editors may have options to export or save PDFs in different formats. **How do I password-protect a Samsung Sc Dc563 Camcorders Owners Manual PDF?** Most PDF editing software allows you to add password protection. In Adobe Acrobat, for instance, you can go to "File" -> "Properties"

-> "Security" to set a password to restrict access or editing capabilities. Are there any free alternatives to Adobe Acrobat for working with PDFs? Yes, there are many free alternatives for working with PDFs, such as: LibreOffice: Offers PDF editing features. PDFsam: Allows splitting, merging, and editing PDFs. Foxit Reader: Provides basic PDF viewing and editing capabilities. How do I compress a PDF file? You can use online tools like Smallpdf, ILovePDF, or desktop software like Adobe Acrobat to compress PDF files without significant quality loss. Compression reduces the file size, making it easier to share and download. Can I fill out forms in a PDF file? Yes, most PDF viewers/editors like Adobe Acrobat, Preview (on Mac), or various online tools allow you to fill out forms in PDF files by selecting text fields and entering information. Are there any restrictions when working with PDFs? Some PDFs might have restrictions set by their creator, such as password protection, editing restrictions, or print restrictions. Breaking these restrictions might require specific software or tools, which may or may not be legal depending on the circumstances and local laws.

Find Samsung Sc Dc563 Camcorders Owners Manual :

sap treasury and risk management configuration guide

~~sas-la-source-yahalom~~

saps application form 2014

~~sap pp end user manual~~

~~sanyo plc xp571 multimedia projector service manual~~

sap apo end user guide pov1

~~sap ecc6 installation guide step by~~

~~sanyo mac 1200 users manual~~

~~satec road traffic signs manual~~

sat essay history examples

~~sats 2007 ks1 crocodile~~

~~sat 10 practice 2nd grade~~

~~sap2000 15 manual~~

~~sanyo sep 3200 user manual~~

~~saraswati physics lab manual class 12 cbse~~

Samsung Sc Dc563 Camcorders Owners Manual :

[the reconfigured eye visual truth in the post photographic era goodreads](#) - Nov 20 2022

web jul 25 1992 an important reminder that the world of post reality truthiness in which we now live is not the product of technological change because people have manipulated photographic images for as long as there have been photographs
the reconfigured eye visual truth in the post photographic era - Mar 25 2023

web the reconfigured eye is both an analysis and a demonstration of the end of traditional film based photography and a preview of the new filmless electronic photography that allows computers to synthesize entire scenes from digital geometric models to people actual scenes with actors who were not there and to erase people or objects who were

the reconfigured eye visual truth in the post photographic era - Jun 15 2022

web the reconfigured eye visual truth in the post photographic era william j mitchell mit press 1994 copy bibtex abstract continuing william mitchell s investigations of how we understand reason about and use images the reconfigured eye provides the first systematic critical analysis of the digital imaging revolution recommend bookmark cite

the reconfigured eye visual truth in the post photographic era - Oct 20 2022

web buy the reconfigured eye visual truth in the post photographic era the mit press revised ed by mitchell william isbn 9780262631600 from amazon s book store everyday low prices and free delivery on eligible orders

[the reconfigured eye visual truth in the post photographic era](#) - Feb 21 2023

web continuing william mitchell s investigations of how we understand reason about and use images the reconfigured eye provides the first systematic critical analysis of the digital imaging revolution

[the reconfigured eye visual truth in the post photographic era](#) - Jun 27 2023

web jul 25 1992 the reconfigured eye is valuable both as a reconsideration of photographic truth in a the context of new technologies and as a book to help photographers graphic designers architects and anyone working with photographs to understand how the basic functions of 2d and 3d software work and why

the reconfigured eye visual truth in the post photographic era - May 27 2023

web the reconfigured eye visual truth in the post photographic era the mit press mitchell william amazon com tr kitap
the reconfigured eye visual truth in the post photograhic era - Jul 17 2022

web the reconfigured eye visual truth in the post photograhic era skip header section the reconfigured eye visual truth in the post photograhic era september 1992 september 1992 read more author william j mitchell publisher mit press 55 hayward st cambridge ma united states isbn 978 0 262 13286 2

the reconfigured eye visual truth in the post photographic era - Dec 22 2022

web study on the changes of photography through the post photography era daewook kim jungwoo joo art 2015 literature

published from 1839 to 2015 is reviewed to put the contemporary photography into perspective and delve into the emerging post photography era its impact and orientation a range of

the reconfigured eye visual truth in the post photographic era - Jul 29 2023

web jul 25 1994 continuing william mitchell s investigations of how we understand reason about and use images the reconfigured eye provides the first systematic critical analysis of the digital imaging

the reconfigured eye visual truth in the post photographic era - Sep 18 2022

web today the very idea of photographic veracity is being radically challenged by the emerging technology of digital image manipulation and synthesis photographs can now be altered enhanced or faked

project muse the reconfigured eye visual truth in the post - Aug 18 2022

web the reconfigured eye visual truth in the post photographic era review tom conley philosophy and literature johns hopkins university press volume 18 number 2 october 1994 pp 382 383 10 1353 phl 1994 0037 review

the reconfigured eye visual truth in the post photographic era - Apr 25 2023

web continuing william mitchell s investigations of how we understand reason about and use images the reconfigured eye provides the first systematic critical analysis of the digital imaging

the reconfigured eye visual truth in the post photographic era - Sep 30 2023

web mit press jul 25 1994 photography 283 pages continuing william mitchell s investigations of how we understand reason about and use images the reconfigured eye provides the first

the reconfigured eye mit press - Jan 23 2023

web jul 25 1994 visual truth in the post photographic era by william j mitchell 45 00 paperback hardcover 283 pp 9 x 10 in paperback 9780262631600 published july 25 1994 publisher the mit press mit press bookstore penguin random house

amazon barnes and noble bookshop org indiebound indigo books a million request permissions

the reconfigured eye visual truth in the post photographic era - Aug 30 2023

web the reconfigured eye visual truth in the post photographic era mitchell william j william john 1944 free download borrow and streaming internet archive

review booknote the reconfigured eye visual truth in the post - May 15 2022

web intended for healthcare professionals 0 cart cart

the reconfigured eye visual truth in the post photographic era - Feb 09 2022

web uwdc discover digital collections images sound recordings and more website find information on spaces staff services and more close the reconfigured eye visual truth in the post photographic era author creator mitchell william j william john

1944 2010 available as physical toc request options

the reconfigured eye visual truth in the post photographic era - Apr 13 2022

web jan 1 1992 the reconfigured eye is valuable both as a reconsideration of photographic truth in a the context of new technologies and as a book to help photographers graphic designers architects and anyone working with photographs to understand how the basic functions of 2d and 3d software work and why

the reconfigured eye visual truth in the post photographic era - Mar 13 2022

web the reconfigured eye visual truth in the post photographic era cynni murphy corresponding author cynni murphy santa monica public library 1343 6th street santa monica ca 90406 santa monica public library 1343 6th street santa monica ca 90406search for more papers by this author

oktay usta ile lezzet yolculuğu oktay aymelek - Jul 13 2023

web 364 50 tl oktay usta ile lezzet yolculuğu oktay aymelek kitabı en iyi fiyatla burada tıkla oktay usta ile lezzet yolculuğu oktay aymelek eserini hızlı ve kolay bir şekilde satın al

kaçak aşçı oktay usta nın son hali belli oldu haber365 - Jan 27 2022

web koza İpek e kayyum atanmasının ardından kanal önünde dağıttığı demokrasi pilavı sonrası gündeme gelen oktay usta diye bilinen oktay aymelek hainlikleri için kullandıkları kanallarının kapatılmasının ardından timsah gözyaşları döküp duygu sömürüsü yapmıştı

oktay usta omlet tarifi ve malzemeleri - Oct 04 2022

web jul 11 2023 oktay usta omlet tarifi yemek konusundaki becerisiyle pek çok bayana öncü olan oktay usta değişik omlet tarifleri hazırlayıp herkesin beğenisine sunmuştur omlet konusunda çeşitli tarifleri olan oktay ustanın değişik omlet

oktay usta ile lezzet yolculuğu oktay usta halkkitabevi - Mar 29 2022

web oktay usta kaleme aldığı oktay usta ile lezzet yolculuğu adlı eseri ücretsiz ve hızlı kargo güvencesiyle halkkitabevi nden hemen satın al

oktay ustay la lezzet yolculuğu oktay usta fiyat satın al - Sep 03 2022

web bir oktay usta eseri olan oktay ustay la lezzet yolculuğu en cazip fiyat ile d r de keşfetmek için hemen tıklayınız

oktay usta yla lezzet yolculuğu türk mutfağı kitapları oktay - Sep 15 2023

web oktay usta yla lezzet yolculuğu en uygun fiyat hızlı kargo ve kapıda ödeme seçenekleriyle bkmkitap com da oktay usta yla lezzet yolculuğu avantajlı fiyatlarıyla hemen satın almak için tıklayın

oktay usta ile lezzet yolculugu ciltli by oktay aymelek - Dec 06 2022

web aug 29 2023 oktay usta ile lezzet yolculugu ciltli by oktay aymelek author tug do nlnetlabs nl 2023 08 29 02 50 32
subject oktay usta ile lezzet yolculugu ciltli by oktay aymelek keywords oktay usta ile lezzet yolculugu ciltli by oktay aymelek
created date 8 29 2023 2 50 32 am

oktay usta yla lezzet yolculuğu ciltli oktay aymelek - Aug 02 2022

web oktay usta yla lezzet yolculuğu ciltli pilavlar Çorbalar tartlar salatalar kurabiyeler tatlılar et ve tavuk yemekleri balıklar kekler ve pasta facebook ile bağlan bilgi kitapmatik com tr ara detaylı arama sepetim 0

oktay usta yla lezzet yolculuğu ciltli oktay aymelek - Aug 14 2023

web oct 19 2021 oktay usta yla lezzet yolculuğu ciltli oktay aymelek kitabı en iyi fiyatla burada tıkla oktay usta yla lezzet yolculuğu ciltli oktay aymelek eserini hızlı ve kolay bir şekilde satın al

oktay usta ile lezzet yolculugu ciltli by oktay aymelek - Apr 29 2022

web sep 13 2023 oktay usta ile lezzet yolculugu ciltli by oktay aymelek author stkipmnc ac id 2023 09 13 12 44 05 subject oktay usta ile lezzet yolculugu ciltli by oktay aymelek keywords oktay usta ile lezzet yolculugu ciltli by oktay aymelek created date 9 13 2023 12 44 05 pm

oktay usta yemek tarifleri oktay usta tarifleri - Jul 01 2022

web oktay ustadan İzmir köfte kalori toplam 1637 kcal kalori 1 porsiyon 409 kcal kategori köfte tarifleri usta oktay usta mutfak türk mutfağı

oktay usta yla lezzet yolculuğu ciltli en ucuz kitap ekitap - May 11 2023

web oktay usta yla lezzet yolculuğu ciltli kitabını incelemek için sitemizi ziyaret edebilir oktay usta yla lezzet yolculuğu ciltli kitabına ait en ucuz satış fiyatını oktay usta yla lezzet yolculuğu ciltli kitap yorumlarını satın alma bağlantılarını ve indirme linklerini görüntüleyebilirsiniz

oktay usta yla lezzet yolculuğu cukurovakitap com tr - Feb 25 2022

web oktay usta yla lezzet yolculuğu

yakamoz yayınları oktay usta yla lezzet yolculuğu 1 hamur ciltli - Feb 08 2023

web yakamoz yayınları oktay usta yla lezzet yolculuğu 1 hamur ciltli yorumlarını inceleyin trendyol a özel indirimli fiyata satın alın

oktay usta yla lezzet yolculuğu 1 hamur ciltli - Apr 10 2023

web oktay usta yla lezzet yolculuğu 1 hamur ciltli yakamoz yayincilik oktay aymelek pilavlar Çorbalar tartlar salatalar

kurve kitabevi oktay usta ile lezzet yolculuğu ciltli cep boy - May 31 2022

web oktay usta ile lezzet yolculuğu ciltli cep boy 30 indirimli oktay usta ile lezzet yolculuğu ciltli cep boy 30 indirimli ana sayfa İletişim Üye ol oktay aymelek yakamoz yayincılık stok kodu 9786053846529 boyut 13 5x2 baskı 1 basım tarihi 2013 01 kağıt türü 1 hamur 30 indirimli

oktay usta ile lezzet yolculuğu ciltli cep boy birbirinden lezzetli - Mar 09 2023

web oktay usta ile lezzet yolculuğu ciltli cep boy birbirinden lezzetli tarifler oktay aymelek amazon com tr kitap

oktay usta yla lezzet yolculuğu ciltli oktay aymelek - Nov 05 2022

web oktay usta yla lezzet yolculuğu ciltli pilavlar Çorbalar tartlar salatalar kurabiyeler tatlılar et ve tavuk yemekleri balıklar kekler ve pasta ana sayfa kargo ve teslimat sipariş koşulları İletişim sipariş takip 0212 524 75 24 whatsapp 90 542 524 7 524 anasayfa Çok satanlar yayınevleri

oktay usta ile lezzet yolculugu ciltli 2022 smtp ablogtwatch - Jun 12 2023

web oktay usta ile lezzet yolculugu ciltli 1 oktay usta ile lezzet yolculugu ciltli Âşıklık geleneği ve medya endüstrisi geleneksel müziğin medyadaki serüveni

oktay usta yla lezzet yolculuğu ciltsiz hepsiburada com - Jan 07 2023

web oktay usta yla lezzet yolculuğu ciltsiz kitabı en iyi fiyatla burada tıkla oktay usta yla lezzet yolculuğu ciltsiz eserini hızlı ve kolay bir şekilde satın al

ap period 4 activities packet 1 apush2021 harvard studocu - Mar 09 2023

web ap period 4 activities packet 1 a study guide for ap u s history that will help you get an a on your u ap united states history apush2021 students shared 274 documents in this course

ultimate review packet heimler s history unit 1 study guide - May 11 2023

web the apush ultimate review packet has everything you need to gets an a in your class the a five on your exam in may including exclusive video content note guides additionally answer clue more custom questions than you could shake a stick at plus full length practice exams

ap u s review packet of doom council rock school district - Jan 27 2022

web 1 multiply the number of correct multiple choice answers by 1 25 2 take the total and subtract 0 25 for each incorrect multiple choice answer 3 multiply the dbq score 1 9 by 4 5 and add it to the total 4 multiply each of the frq scores 1 9 by 2 75 and add it to the total 3 65 73 points 4 100 points 5 117 122 points

packet for apush study r apush reddit - Jan 07 2023

web apr 15 2018 packet for apush study here s the link to a document i made with everything apush based on my chapter notes and my teacher s term list it s more detailed than some of the other review packets i ve seen on here but i figured it might be helpful for some of you

review packet apush flashcards and study sets quizlet - Apr 10 2023

web learn review packet apush with free interactive flashcards choose from 5 000 different sets of review packet apush flashcards on quizlet

apush chapter 9 ameican pageant flashcards quizlet - Oct 04 2022

web mareshka i used these a crash course video on youtube some power points i found online and review packets with

answers that i found online to study for my apush unit 2 exam this is just chapter 9 info i also took my own notes terms in **ultimate review packet heimler s history associated press** - Jun 12 2023

web ap u s history ultimate review packet 24 99 aforementioned apush ultimate review packet has everything you need to get an a in your class and ampere five on your exam in mayor including exclusive video content note guides and answer keys more practice questions than you could rock a stick at plus full length practice finals

ap world history ultimate review packet - Jul 13 2023

web the ultimate review packet has everything you need to learn and practice ap world history modern exclusive review videos with tips strategies and content study guides and practice sheets with answer keys for each unit practice multiple choice questions and ap style practice exams

ultimate review packet heimler s history ultimate review packet - Feb 08 2023

web the apush supreme examine packet has everything you required to get an a in your class and a five on your exam in may including exclusive video content note guides and answer keys more habit questions than yourself could shake one stick at and full length practice exams

apush ultimate review packet of doom flashcards quizlet - Jul 01 2022

web apush ultimate review packet of doom flashcards quizlet john white click the card to flip leader of the lost colony at roanoke his pictures of native americans and vegetation convinced many to invest in or settle in virginia colony click the card to flip 1 303 flashcards learn test match q chat created by tabitha1031

ap us history chapter 8 21 packet answers coursenotes - Nov 05 2022

web answers chapter ap us history answer key printer friendly text automatically extracted from attachment below please download attachment to view properly formatted document extracted text from uploads us history ap us history chapter 8 21 packet answers pdf wait just a minute here

apush teacher worksheets ultimate review packet com - Sep 03 2022

web designed specifically for the apush curriculum these worksheets cover every topic in the course that s over 95 worksheets they focus on applying the content and using the skills that students need including analyzing historical

apush exam review materials cynthia delay 92 bishop - Dec 06 2022

web apush exam review materials for simplicity i have moved the frameworks and the answers to review worksheets to a separate tab look at the page selections on the right side of the page starting in may of 2015 the ap us history exam introduced a new format

apush amsco chapter 11 part b reading notes studocu - May 31 2022

web antebellium sectionalism part 1 the information for this packet can be found in amsco chapter 11 give me liberty chapter

12 america s history chapter 10 and american yawp chapter 10 key concept 4 the development of american culture who unitarians and ministers at harvard university and in the new england area

apush review packet video youtube - Mar 29 2022

web this goes along with the review packet passed out in class a digital version is available in moodle i m trying to help you recall each term in as few words

apush packet answers - Feb 25 2022

web apush packet answers 1 apush packet answers apush period 1 9 study guide wordpress com ap u s history school webmasters ap us history homework dr urban s website review packet apush flashcards and study sets quizlet apush name chapter 1 packet date period apush documents historymama

heimer s ultimate review packet r apush reddit - Aug 14 2023

web may 8 2021 i am not sure about definitely getting a 5 but i felt completely unprepared before i started his review packet and pretty confident after i watched the videos on each period took detailed notes and did all the multiple

chapter 21 apush multiple choice flashcards quizlet - Apr 29 2022

web chapter 21 211 lincoln hoped that a union victory at bull run would a lead to the capture of the confederate capital at richmond b bring an end to slavery c destroy the economy of the south d pull the border states out of the confederacy e all of the above e

ap us history ultimate review packet - Sep 15 2023

web the ultimate review packet has everything you need to learn and practice ap us history exclusive review videos with tips strategies and content study guides and practice sheets with answer keys for each unit practice multiple choice questions and ap style practice exams download contents pdf free preview

apush review packet flashcards quizlet - Aug 02 2022

web ruby imlach from round the bays hello neighbours ports of auckland round the bays aka nz s largest fun run is back for a 48th year of fun and we re inviting you to join us we hit auckland s waterfront sunday 8th march 2020 with entries opening this thursday 10th oct so whose ready to get fun run ready