

SAMSUNG

DVD RECEIVER AMP

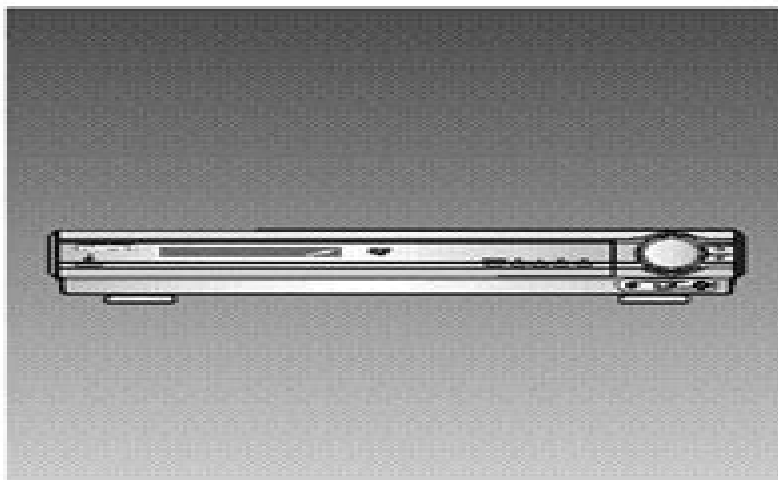
HT-DS610

HT-DS630T

HT-DS1860

***SERVICE* Manual**

DVD RECEIVER AMP SYSTEM



CONTENTS

1. Alignment and Adjustments
2. Exploded Views and Parts List
3. Disassembly and Reassembly
4. Electrical Parts List
5. Block Diagrams
6. Wiring Diagram
7. Schematic Diagrams
8. IC Block Diagrams
9. Troubleshooting

- Confidential -

Notice 11

You can search for the updated part code through IT'SOLP web site.
URL: <http://itsolp.samsung.co.kr>

Samsung Ht Ds610 Ds630t Ds1860 Service Manual Repair Guide

Wenbin Ji



Samsung Ht Ds610 Ds630t Ds1860 Service Manual Repair Guide:

Discover tales of courage and bravery in Crafted by is empowering ebook, Stories of Fearlessness: **Samsung Ht Ds610 Ds630t Ds1860 Service Manual Repair Guide** . In a downloadable PDF format (PDF Size: *), this collection inspires and motivates. Download now to witness the indomitable spirit of those who dared to be brave.

https://crm.avenza.com/files/uploaded-files/Download_PDFS/paper_mobile_kits.pdf

Table of Contents Samsung Ht Ds610 Ds630t Ds1860 Service Manual Repair Guide

1. Understanding the eBook Samsung Ht Ds610 Ds630t Ds1860 Service Manual Repair Guide
 - The Rise of Digital Reading Samsung Ht Ds610 Ds630t Ds1860 Service Manual Repair Guide
 - Advantages of eBooks Over Traditional Books
2. Identifying Samsung Ht Ds610 Ds630t Ds1860 Service Manual Repair Guide
 - Exploring Different Genres
 - Considering Fiction vs. Non-Fiction
 - Determining Your Reading Goals
3. Choosing the Right eBook Platform
 - Popular eBook Platforms
 - Features to Look for in an Samsung Ht Ds610 Ds630t Ds1860 Service Manual Repair Guide
 - User-Friendly Interface
4. Exploring eBook Recommendations from Samsung Ht Ds610 Ds630t Ds1860 Service Manual Repair Guide
 - Personalized Recommendations
 - Samsung Ht Ds610 Ds630t Ds1860 Service Manual Repair Guide User Reviews and Ratings
 - Samsung Ht Ds610 Ds630t Ds1860 Service Manual Repair Guide and Bestseller Lists
5. Accessing Samsung Ht Ds610 Ds630t Ds1860 Service Manual Repair Guide Free and Paid eBooks
 - Samsung Ht Ds610 Ds630t Ds1860 Service Manual Repair Guide Public Domain eBooks
 - Samsung Ht Ds610 Ds630t Ds1860 Service Manual Repair Guide eBook Subscription Services
 - Samsung Ht Ds610 Ds630t Ds1860 Service Manual Repair Guide Budget-Friendly Options
6. Navigating Samsung Ht Ds610 Ds630t Ds1860 Service Manual Repair Guide eBook Formats

- ePub, PDF, MOBI, and More
 - Samsung Ht Ds610 Ds630t Ds1860 Service Manual Repair Guide Compatibility with Devices
 - Samsung Ht Ds610 Ds630t Ds1860 Service Manual Repair Guide Enhanced eBook Features
7. Enhancing Your Reading Experience
 - Adjustable Fonts and Text Sizes of Samsung Ht Ds610 Ds630t Ds1860 Service Manual Repair Guide
 - Highlighting and Note-Taking Samsung Ht Ds610 Ds630t Ds1860 Service Manual Repair Guide
 - Interactive Elements Samsung Ht Ds610 Ds630t Ds1860 Service Manual Repair Guide
 8. Staying Engaged with Samsung Ht Ds610 Ds630t Ds1860 Service Manual Repair Guide
 - Joining Online Reading Communities
 - Participating in Virtual Book Clubs
 - Following Authors and Publishers Samsung Ht Ds610 Ds630t Ds1860 Service Manual Repair Guide
 9. Balancing eBooks and Physical Books Samsung Ht Ds610 Ds630t Ds1860 Service Manual Repair Guide
 - Benefits of a Digital Library
 - Creating a Diverse Reading Collection Samsung Ht Ds610 Ds630t Ds1860 Service Manual Repair Guide
 10. Overcoming Reading Challenges
 - Dealing with Digital Eye Strain
 - Minimizing Distractions
 - Managing Screen Time
 11. Cultivating a Reading Routine Samsung Ht Ds610 Ds630t Ds1860 Service Manual Repair Guide
 - Setting Reading Goals Samsung Ht Ds610 Ds630t Ds1860 Service Manual Repair Guide
 - Carving Out Dedicated Reading Time
 12. Sourcing Reliable Information of Samsung Ht Ds610 Ds630t Ds1860 Service Manual Repair Guide
 - Fact-Checking eBook Content of Samsung Ht Ds610 Ds630t Ds1860 Service Manual Repair Guide
 - Distinguishing Credible Sources
 13. Promoting Lifelong Learning
 - Utilizing eBooks for Skill Development
 - Exploring Educational eBooks
 14. Embracing eBook Trends
 - Integration of Multimedia Elements
 - Interactive and Gamified eBooks

Samsung Ht Ds610 Ds630t Ds1860 Service Manual Repair Guide Introduction

In the digital age, access to information has become easier than ever before. The ability to download Samsung Ht Ds610 Ds630t Ds1860 Service Manual Repair Guide has revolutionized the way we consume written content. Whether you are a student looking for course material, an avid reader searching for your next favorite book, or a professional seeking research papers, the option to download Samsung Ht Ds610 Ds630t Ds1860 Service Manual Repair Guide has opened up a world of possibilities. Downloading Samsung Ht Ds610 Ds630t Ds1860 Service Manual Repair Guide provides numerous advantages over physical copies of books and documents. Firstly, it is incredibly convenient. Gone are the days of carrying around heavy textbooks or bulky folders filled with papers. With the click of a button, you can gain immediate access to valuable resources on any device. This convenience allows for efficient studying, researching, and reading on the go. Moreover, the cost-effective nature of downloading Samsung Ht Ds610 Ds630t Ds1860 Service Manual Repair Guide has democratized knowledge. Traditional books and academic journals can be expensive, making it difficult for individuals with limited financial resources to access information. By offering free PDF downloads, publishers and authors are enabling a wider audience to benefit from their work. This inclusivity promotes equal opportunities for learning and personal growth. There are numerous websites and platforms where individuals can download Samsung Ht Ds610 Ds630t Ds1860 Service Manual Repair Guide. These websites range from academic databases offering research papers and journals to online libraries with an expansive collection of books from various genres. Many authors and publishers also upload their work to specific websites, granting readers access to their content without any charge. These platforms not only provide access to existing literature but also serve as an excellent platform for undiscovered authors to share their work with the world. However, it is essential to be cautious while downloading Samsung Ht Ds610 Ds630t Ds1860 Service Manual Repair Guide. Some websites may offer pirated or illegally obtained copies of copyrighted material. Engaging in such activities not only violates copyright laws but also undermines the efforts of authors, publishers, and researchers. To ensure ethical downloading, it is advisable to utilize reputable websites that prioritize the legal distribution of content. When downloading Samsung Ht Ds610 Ds630t Ds1860 Service Manual Repair Guide, users should also consider the potential security risks associated with online platforms. Malicious actors may exploit vulnerabilities in unprotected websites to distribute malware or steal personal information. To protect themselves, individuals should ensure their devices have reliable antivirus software installed and validate the legitimacy of the websites they are downloading from. In conclusion, the ability to download Samsung Ht Ds610 Ds630t Ds1860 Service Manual Repair Guide has transformed the way we access information. With the convenience, cost-effectiveness, and accessibility it offers, free PDF downloads have become a popular choice for students, researchers, and book lovers worldwide. However, it is crucial to engage in ethical downloading practices and prioritize personal security when utilizing online platforms. By doing so, individuals can make the most of the vast array of free PDF resources available

and embark on a journey of continuous learning and intellectual growth.

FAQs About Samsung Ht Ds610 Ds630t Ds1860 Service Manual Repair Guide Books

1. Where can I buy Samsung Ht Ds610 Ds630t Ds1860 Service Manual Repair Guide books? Bookstores: Physical bookstores like Barnes & Noble, Waterstones, and independent local stores. Online Retailers: Amazon, Book Depository, and various online bookstores offer a wide range of books in physical and digital formats.
2. What are the different book formats available? Hardcover: Sturdy and durable, usually more expensive. Paperback: Cheaper, lighter, and more portable than hardcovers. E-books: Digital books available for e-readers like Kindle or software like Apple Books, Kindle, and Google Play Books.
3. How do I choose a Samsung Ht Ds610 Ds630t Ds1860 Service Manual Repair Guide book to read? Genres: Consider the genre you enjoy (fiction, non-fiction, mystery, sci-fi, etc.). Recommendations: Ask friends, join book clubs, or explore online reviews and recommendations. Author: If you like a particular author, you might enjoy more of their work.
4. How do I take care of Samsung Ht Ds610 Ds630t Ds1860 Service Manual Repair Guide books? Storage: Keep them away from direct sunlight and in a dry environment. Handling: Avoid folding pages, use bookmarks, and handle them with clean hands. Cleaning: Gently dust the covers and pages occasionally.
5. Can I borrow books without buying them? Public Libraries: Local libraries offer a wide range of books for borrowing. Book Swaps: Community book exchanges or online platforms where people exchange books.
6. How can I track my reading progress or manage my book collection? Book Tracking Apps: Goodreads, LibraryThing, and Book Catalogue are popular apps for tracking your reading progress and managing book collections. Spreadsheets: You can create your own spreadsheet to track books read, ratings, and other details.
7. What are Samsung Ht Ds610 Ds630t Ds1860 Service Manual Repair Guide audiobooks, and where can I find them? Audiobooks: Audio recordings of books, perfect for listening while commuting or multitasking. Platforms: Audible, LibriVox, and Google Play Books offer a wide selection of audiobooks.
8. How do I support authors or the book industry? Buy Books: Purchase books from authors or independent bookstores. Reviews: Leave reviews on platforms like Goodreads or Amazon. Promotion: Share your favorite books on social media or recommend them to friends.
9. Are there book clubs or reading communities I can join? Local Clubs: Check for local book clubs in libraries or

- community centers. Online Communities: Platforms like Goodreads have virtual book clubs and discussion groups.
10. Can I read Samsung Ht Ds610 Ds630t Ds1860 Service Manual Repair Guide books for free? Public Domain Books: Many classic books are available for free as they're in the public domain. Free E-books: Some websites offer free e-books legally, like Project Gutenberg or Open Library.

Find Samsung Ht Ds610 Ds630t Ds1860 Service Manual Repair Guide :

[*paper mobile kits*](#)

[~~paragon super engineer manual~~](#)

paper 1 economics grade 10 2013

[paper hand bag template](#)

[~~paper1 mathamatics grd10 2014 memorandum~~](#)

[~~parable of mustard seed coloring page~~](#)

[*paper 2 foundation gcse maths november 2014 ocr*](#)

[paper aeroplane guide](#)

panorama 4th edition supersite answers leccion 12

panther 120 engine diagram

[paper for emerging architectural research](#)

papa test pre

[paper2 mathematics 2014 final exam eastern cape](#)

[*paper3 ya sepedi*](#)

panera cheddar broccoli soup recipe

Samsung Ht Ds610 Ds630t Ds1860 Service Manual Repair Guide :

Core Questions in Philosophy: A Text with... by Sober, Elliott Elliott Sober. Core Questions in Philosophy: A Text with Readings (6th Edition). 6th Edition. ISBN-13: 978-0205206698, ISBN-10: 0205206697. 4.4 4.4 out of 5 ... Core Questions in Philosophy: A Text with... by Sober, Elliott Core Questions in Philosophy: A Text with Readings, Books a la Carte Edition (6th Edition). 6th Edition. ISBN-13: ... Core Questions in Philosophy A Text with Readings | Rent Authors: Elliott Sober ; Full Title: Core Questions in Philosophy: A Text with Readings ; Edition: 6th edition ; ISBN-13: 978-0205206698 ; Format: Paperback/ ... Core Questions in Philosophy: A Text with Readings (6th ... Core Questions in Philosophy: A Text with Readings (6th Edition)

Samsung Ht Ds610 Ds630t Ds1860 Service Manual Repair Guide

by Sober, Elliott - ISBN 10: 0205206697 - ISBN 13: 9780205206698 - Pearson - 2012 ... Core Questions Philosophy Text by Elliott Sober Core Questions in Philosophy: A Text with Readings (3rd Edition). Sober, Elliott. ISBN 13: 9780130835376. Seller: Wonder Book Frederick, MD, U.S.A.. 'Core Questions In Philosophy by Sober, Elliott Core Questions in Philosophy: A Text with Readings (4th Edition). by Elliott Sober. Condition: Used - Good; Published: 2004-06-11; Binding: Paperback ... Core Questions in Philosophy : A Text with Readings ... Core Questions in Philosophy : A Text with Readings by Elliott Sober (2012, Trade Paperback). A Text with Readings [6th Edition] by Sober, Ellio ... Core Questions in Philosophy: A Text with Readings [6th Edition] by Sober, Ellio ; Quantity. 3 available ; Item Number. 115905358052 ; ISBN. 9780205206698. Core Questions in Philosophy: A Text with Readings Bibliographic information ; Title, Core Questions in Philosophy: A Text with Readings ; Author, Elliott Sober ; Edition, 6 ; Publisher, Pearson Education, 2013. Core Questions in Philosophy - 8th Edition 8th Edition. Core Questions in Philosophy. By Elliott Sober Copyright 2021. Paperback \$63.96. Hardback \$136.00. eBook \$63.96. ISBN 9780367464981. 364 Pages 29 B ... Beginning & Intermediate Algebra (5th Edition) NOTE:This is a standalone book. Elayn Martin-Gay's developmental math textbooks and video resources are motivated by her firm belief that every student can ... Beginning and Intermediate Algebra 5th Edition Beginning and Intermediate Algebra 5th Edition. 4.1 4.1 out of 5 stars 6 Reviews ... Elayn Martin-Gay. 4.3 out of 5 stars 561. Hardcover. 64 offers from \$14.07. Beginning & Intermediate Algebra (5th Edition) Beginning & Intermediate Algebra (5th Edition) by Martin-Gay, Elayn - ISBN 10: 0321785126 - ISBN 13: 9780321785121 - Pearson - 2012 - Hardcover. Martin-Gay, Beginning & Intermediate Algebra Beginning & Intermediate Algebra, 5th Edition. Elayn Martin-Gay, University ... Elayn Martin-Gay's developmental math textbooks and video resources are ... Beginning and Intermediate Algebra | Buy | 9780321785121 Elayn Martin-Gay. Every textbook comes with a 21-day "Any Reason" guarantee. Published by Pearson. Beginning and Intermediate Algebra 5th edition solutions ... beginning and intermediate algebra 5th edition Algebra. Publication Name. Beginning & Intermediate Algebra. Author. Elayn Martin-Gay. Level. Intermediate. Category. Books & Magazines > Textbooks, Education ... Beginning and Intermediate Algebra | Rent | 9780321785862 Rent □Beginning and Intermediate Algebra 5th edition (978-0321785862) today, or search our site for other □textbooks by Elayn Martin-Gay. beginning and intermediate algebra 5th edition 325114606480. Publication Name. Beginning & Intermediate Algebra. Subject Area. Algebra. Type. Workbook. Author. Elayn Martin-Gay. Level. Intermediate. Category. Beginning and Intermediate Algebra Fifth Edition by Elayn ... Beginning and Intermediate Algebra Fifth Edition (5th Edition). by Elayn Martin-Gay. Hardcover, 1032 Pages, Published 2012. ISBN-10: 0-321-78512-6 / 0321785126 Beginning & Intermediate Algebra, 5th edition (STRN0011) SKU: STRN0011 Author: Elayn Martin-Gay Publication Date: 2013 by Pearson Education, Inc. Product Type: Book Product ISBN: 9780321785121 TomTom ONE Manual Welcome to the TomTom ONE manual. This manual describes the features of TomTom ... Ctick N14644. This product displays the Ctick to show it complies with all ... TomTom User Manual manual tuning as follows: 1. Tap the Traffic bar in the Driving ... Note: If

Samsung Ht Ds610 Ds630t Ds1860 Service Manual Repair Guide

you have more than one TomTom navigation device, you need a separate account for. TomTom ONE Manual TomTom is a trademark of TomTom International B.V.. Adobe and the Adobe logo are either registered trademarks or trademarks of AdobeSystems Incorporated in the ... TomTom ONE Manual Welcome to the TomTom ONE manual. This manual describes the features of TomTom ONE, the perfect navigation solution for anyone on the move. For a full list ... TomTom XL This equipment radiates radio frequency energy and if not used properly - that is, in strict accordance with the instructions in this manual - may cause ... Manual TomTom One N14644 (page 1 of 57) (English) This is a User Manual of 57 pages, with a size of 7.72 mb, in the language: English. Tomtom N14644 Manual - Fill Online, Printable, Fillable ... Fill Tomtom N14644 Manual, Edit online. Sign, fax and printable from PC, iPad, tablet or mobile with pdfFiller Instantly. Try Now! TomTom One N14644 User Manual - Libble.eu Free download of your TomTom One N14644 User Manual. Still need help after reading the user manual? Post your question in our forums. TOMTOM XL MANUAL Pdf Download View and Download TomTom XL manual online. XL gps pdf manual download ... GPS TomTom ONE/XL Manual. (73 pages). TomTom One N14644 - Owner's manual, User manual TomTom One N14644. Manuals and User Guides for TomTom One N14644. We found 3 manuals for free downloads: Owner's manual, User manual ...