

# Operating your SAMSUNG French Door Refrigerator

## REMOVING THE REFRIGERATOR ACCESSORIES

### 1. Door Bins & Dairy Compartment

To remove - Simply lift the bin up and pull straight out.

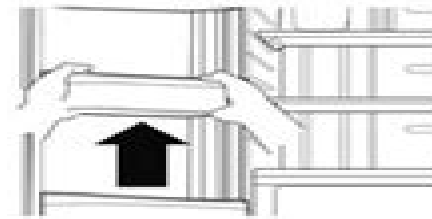
To replace - Slide it in above the desired location and push down until it stops.



Injury may occur if the door bins are not firmly assembled. Do not allow children to play with bins. Sharp corners of the bins may cause injury.



Do not adjust a bin that is loaded with food.



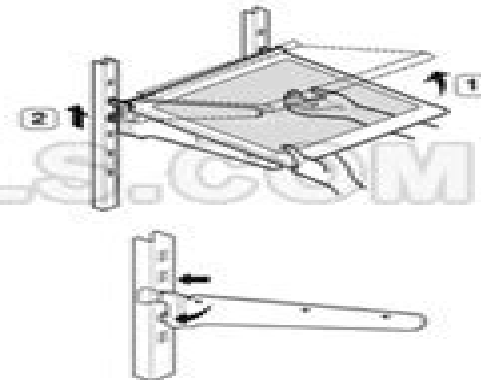
### 2. Tempered Spill Proof Glass Shelves

To remove - Tilt up the front of the shelf in the direction shown ((1)) and lift it up vertically ((2)). Pull the shelf out.

To replace - Tilt the front of the shelf up and guide the shelf hooks into the slots at a desired height. Then lower the front of the shelf so that the hooks drop into the slots.



Glass shelves are heavy. Use special care when removing them.



### 3. Vegetable & Fruit Drawers

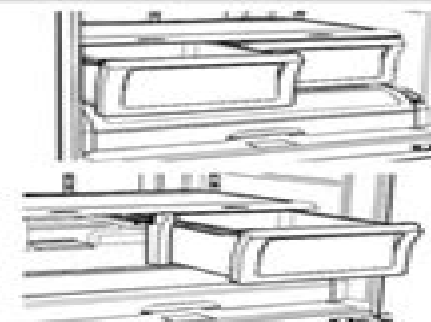
To remove - Pull the drawer out to full extension. Tilt up the front of drawer and pull straight out.

To replace - Insert the drawer into the frame rails and push back into place.



The glass shelf over the drawer is not firmly secured. Be careful when lifting.

Do not open the drawer while the pantry is open. It may cause scratch or breakage to it's cover.



FRIDGEOPTIONALS.COM

# Samsung Rf266ae Rf263ae Refrigerator Service Manual

**L Reisser**



**Samsung Rf266ae Rf263ae Refrigerator Service Manual:**

Side-by-side Refrigerator Service Manual Master Care,1982     *Household Refrigerator* Copeland Refrigeration Corporation,1938\*     Stewart-Warner Refrigerator Service Manual Stewart-Warner Corporation,1938     *Stewart-Warner Refrigerator Service Manual* Stewart-Warner Corporation,1937     *Gibson Freez'r Shelf Refrigerator* Gibson Electric Refrigerator Corporation,1938     *Sparton Refrigerator Service Manual* Sparks-Withington company, Jackson, Mich. Service Division,1936\*     *Norge Master Domestic Refrigerator Service Manual* Norge Appliance Service Dept,1952\*     **Sparton Refrigerator Service Manual** Sparks-Withington Company,1934\*     **Conventional Top Mount Refrigerator Service Manual** Master Care,1982     *Crosley Electric Refrigerator Service Manual* Crosley Radio Corp,1938\*

Embark on a breathtaking journey through nature and adventure with Explore with is mesmerizing ebook, Witness the Wonders in **Samsung Rf266ae Rf263ae Refrigerator Service Manual** . This immersive experience, available for download in a PDF format ( \*), transports you to the heart of natural marvels and thrilling escapades. Download now and let the adventure begin!

<https://crm.avenza.com/data/publication/fetch.php/second%20year%20intermediate%201b%202013questions.pdf>

## **Table of Contents Samsung Rf266ae Rf263ae Refrigerator Service Manual**

1. Understanding the eBook Samsung Rf266ae Rf263ae Refrigerator Service Manual
  - The Rise of Digital Reading Samsung Rf266ae Rf263ae Refrigerator Service Manual
  - Advantages of eBooks Over Traditional Books
2. Identifying Samsung Rf266ae Rf263ae Refrigerator Service Manual
  - Exploring Different Genres
  - Considering Fiction vs. Non-Fiction
  - Determining Your Reading Goals
3. Choosing the Right eBook Platform
  - Popular eBook Platforms
  - Features to Look for in an Samsung Rf266ae Rf263ae Refrigerator Service Manual
  - User-Friendly Interface
4. Exploring eBook Recommendations from Samsung Rf266ae Rf263ae Refrigerator Service Manual
  - Personalized Recommendations
  - Samsung Rf266ae Rf263ae Refrigerator Service Manual User Reviews and Ratings
  - Samsung Rf266ae Rf263ae Refrigerator Service Manual and Bestseller Lists
5. Accessing Samsung Rf266ae Rf263ae Refrigerator Service Manual Free and Paid eBooks
  - Samsung Rf266ae Rf263ae Refrigerator Service Manual Public Domain eBooks
  - Samsung Rf266ae Rf263ae Refrigerator Service Manual eBook Subscription Services
  - Samsung Rf266ae Rf263ae Refrigerator Service Manual Budget-Friendly Options

6. Navigating Samsung Rf266ae Rf263ae Refrigerator Service Manual eBook Formats
  - ePub, PDF, MOBI, and More
  - Samsung Rf266ae Rf263ae Refrigerator Service Manual Compatibility with Devices
  - Samsung Rf266ae Rf263ae Refrigerator Service Manual Enhanced eBook Features
7. Enhancing Your Reading Experience
  - Adjustable Fonts and Text Sizes of Samsung Rf266ae Rf263ae Refrigerator Service Manual
  - Highlighting and Note-Taking Samsung Rf266ae Rf263ae Refrigerator Service Manual
  - Interactive Elements Samsung Rf266ae Rf263ae Refrigerator Service Manual
8. Staying Engaged with Samsung Rf266ae Rf263ae Refrigerator Service Manual
  - Joining Online Reading Communities
  - Participating in Virtual Book Clubs
  - Following Authors and Publishers Samsung Rf266ae Rf263ae Refrigerator Service Manual
9. Balancing eBooks and Physical Books Samsung Rf266ae Rf263ae Refrigerator Service Manual
  - Benefits of a Digital Library
  - Creating a Diverse Reading Collection Samsung Rf266ae Rf263ae Refrigerator Service Manual
10. Overcoming Reading Challenges
  - Dealing with Digital Eye Strain
  - Minimizing Distractions
  - Managing Screen Time
11. Cultivating a Reading Routine Samsung Rf266ae Rf263ae Refrigerator Service Manual
  - Setting Reading Goals Samsung Rf266ae Rf263ae Refrigerator Service Manual
  - Carving Out Dedicated Reading Time
12. Sourcing Reliable Information of Samsung Rf266ae Rf263ae Refrigerator Service Manual
  - Fact-Checking eBook Content of Samsung Rf266ae Rf263ae Refrigerator Service Manual
  - Distinguishing Credible Sources
13. Promoting Lifelong Learning
  - Utilizing eBooks for Skill Development
  - Exploring Educational eBooks
14. Embracing eBook Trends
  - Integration of Multimedia Elements

- Interactive and Gamified eBooks

### **Samsung Rf266ae Rf263ae Refrigerator Service Manual Introduction**

Free PDF Books and Manuals for Download: Unlocking Knowledge at Your Fingertips In today's fast-paced digital age, obtaining valuable knowledge has become easier than ever. Thanks to the internet, a vast array of books and manuals are now available for free download in PDF format. Whether you are a student, professional, or simply an avid reader, this treasure trove of downloadable resources offers a wealth of information, conveniently accessible anytime, anywhere. The advent of online libraries and platforms dedicated to sharing knowledge has revolutionized the way we consume information. No longer confined to physical libraries or bookstores, readers can now access an extensive collection of digital books and manuals with just a few clicks. These resources, available in PDF, Microsoft Word, and PowerPoint formats, cater to a wide range of interests, including literature, technology, science, history, and much more. One notable platform where you can explore and download free Samsung Rf266ae Rf263ae Refrigerator Service Manual PDF books and manuals is the internet's largest free library. Hosted online, this catalog compiles a vast assortment of documents, making it a veritable goldmine of knowledge. With its easy-to-use website interface and customizable PDF generator, this platform offers a user-friendly experience, allowing individuals to effortlessly navigate and access the information they seek. The availability of free PDF books and manuals on this platform demonstrates its commitment to democratizing education and empowering individuals with the tools needed to succeed in their chosen fields. It allows anyone, regardless of their background or financial limitations, to expand their horizons and gain insights from experts in various disciplines. One of the most significant advantages of downloading PDF books and manuals lies in their portability. Unlike physical copies, digital books can be stored and carried on a single device, such as a tablet or smartphone, saving valuable space and weight. This convenience makes it possible for readers to have their entire library at their fingertips, whether they are commuting, traveling, or simply enjoying a lazy afternoon at home. Additionally, digital files are easily searchable, enabling readers to locate specific information within seconds. With a few keystrokes, users can search for keywords, topics, or phrases, making research and finding relevant information a breeze. This efficiency saves time and effort, streamlining the learning process and allowing individuals to focus on extracting the information they need. Furthermore, the availability of free PDF books and manuals fosters a culture of continuous learning. By removing financial barriers, more people can access educational resources and pursue lifelong learning, contributing to personal growth and professional development. This democratization of knowledge promotes intellectual curiosity and empowers individuals to become lifelong learners, promoting progress and innovation in various fields. It is worth noting that while accessing free Samsung Rf266ae Rf263ae Refrigerator Service Manual PDF books and manuals is convenient and cost-effective, it is vital to respect copyright laws and intellectual property rights. Platforms

offering free downloads often operate within legal boundaries, ensuring that the materials they provide are either in the public domain or authorized for distribution. By adhering to copyright laws, users can enjoy the benefits of free access to knowledge while supporting the authors and publishers who make these resources available. In conclusion, the availability of Samsung Rf266ae Rf263ae Refrigerator Service Manual free PDF books and manuals for download has revolutionized the way we access and consume knowledge. With just a few clicks, individuals can explore a vast collection of resources across different disciplines, all free of charge. This accessibility empowers individuals to become lifelong learners, contributing to personal growth, professional development, and the advancement of society as a whole. So why not unlock a world of knowledge today? Start exploring the vast sea of free PDF books and manuals waiting to be discovered right at your fingertips.

### FAQs About Samsung Rf266ae Rf263ae Refrigerator Service Manual Books

**What is a Samsung Rf266ae Rf263ae Refrigerator Service Manual PDF?** A PDF (Portable Document Format) is a file format developed by Adobe that preserves the layout and formatting of a document, regardless of the software, hardware, or operating system used to view or print it. **How do I create a Samsung Rf266ae Rf263ae Refrigerator Service Manual PDF?** There are several ways to create a PDF: Use software like Adobe Acrobat, Microsoft Word, or Google Docs, which often have built-in PDF creation tools. Print to PDF: Many applications and operating systems have a "Print to PDF" option that allows you to save a document as a PDF file instead of printing it on paper. Online converters: There are various online tools that can convert different file types to PDF. **How do I edit a Samsung Rf266ae Rf263ae Refrigerator Service Manual PDF?** Editing a PDF can be done with software like Adobe Acrobat, which allows direct editing of text, images, and other elements within the PDF. Some free tools, like PDFescape or Smallpdf, also offer basic editing capabilities. **How do I convert a Samsung Rf266ae Rf263ae Refrigerator Service Manual PDF to another file format?** There are multiple ways to convert a PDF to another format: Use online converters like Smallpdf, Zamzar, or Adobe Acrobats export feature to convert PDFs to formats like Word, Excel, JPEG, etc. Software like Adobe Acrobat, Microsoft Word, or other PDF editors may have options to export or save PDFs in different formats. **How do I password-protect a Samsung Rf266ae Rf263ae Refrigerator Service Manual PDF?** Most PDF editing software allows you to add password protection. In Adobe Acrobat, for instance, you can go to "File" -> "Properties" -> "Security" to set a password to restrict access or editing capabilities. Are there any free alternatives to Adobe Acrobat for working with PDFs? Yes, there are many free alternatives for working with PDFs, such as: LibreOffice: Offers PDF editing features. PDFsam: Allows splitting, merging, and editing PDFs. Foxit Reader: Provides basic PDF viewing and editing capabilities. How do I compress a PDF file? You can use online tools like Smallpdf,

ILovePDF, or desktop software like Adobe Acrobat to compress PDF files without significant quality loss. Compression reduces the file size, making it easier to share and download. Can I fill out forms in a PDF file? Yes, most PDF viewers/editors like Adobe Acrobat, Preview (on Mac), or various online tools allow you to fill out forms in PDF files by selecting text fields and entering information. Are there any restrictions when working with PDFs? Some PDFs might have restrictions set by their creator, such as password protection, editing restrictions, or print restrictions. Breaking these restrictions might require specific software or tools, which may or may not be legal depending on the circumstances and local laws.

**Find Samsung Rf266ae Rf263ae Refrigerator Service Manual :**

**second year intermediate 1b 2013questions**

**section 19 acid base theories answer key**

seat cordoba service and repair manual

**sec guidelines for public disclosure**

secrets volume 10 secrets volumes

**second term basic technology scheme of work 2015**

seattle renters guide

section 13 1 fluid pressure worksheet answers

**section 2 reinforcement chemical bond answers worksheet 28**

**seat ibiza manual 2009**

second term scheme of work

*seat leon fr manual 2013*

**seattle live traffic report**

*section 2 lifeguarding skills exam answers national*

~~secession au katanga jules gerard libois~~

**Samsung Rf266ae Rf263ae Refrigerator Service Manual :**

**how can i create a command line application in java** - Aug 08 2022

web jan 28 2014   afaik a java program needs to be started like `java cp classpath myapp` now i need to wrap this in a shell script to improve the experience something like `bin sh java cp classpath myapp now user can do myapp arg1 value arg2 value` the problem is this approach is not cross platform



**command line interface java making a simple interactive cli app** - May 17 2023

web apr 18 2019 i want to make a simple interactive cli app in java the user will type commands like add show but i am not sure how to set up the commands should i have a class for each command or something different

*create your first java application intellij idea* - Jun 18 2023

web sep 7 2023 in this tutorial you will learn how to create run and package a simple java application that prints hello world to the system output along the way you will get familiar with intellij idea features for boosting your productivity as a developer coding assistance and supplementary tools

java command line application stack overflow - Jun 06 2022

web dec 20 2019 what exactly does it mean to build a java command line application in particular should the application be such that it can run by an individual using command line with the program in some file on the user s desktop and the application be a java file and all the source code should be written in java

**java apps javatpoint** - Jul 07 2022

web a java application is a program written in java that is executed stand alone either in a client or a server the jvm interprets the instructions and executes the program in the jre where the java programs gain complete access to every computer resource available in the computer system

**build java apps with microsoft graph microsoft graph** - Oct 10 2022

web in this section you ll create a basic java console app open your command line interface cli in a directory where you want to create the project run the following command to create a new gradle project gradle init dsl groovy test framework junit type java application project name graphtutorial package graphtutorial

**online java compiler online editor** - Apr 04 2022

web onlinegdb is online ide with java compiler quick and easy way to run java program online

**java command line gui and web apps for scanning dev** - Jan 13 2023

web mar 25 2022 desktop gui application built with java swing based on the command line java program created above we can add swing class to turn the command line app into a gui app the widgets we need include jtextarea jbutton jfilechooser and jcombobox jtextarea display the results jbutton trigger the click event

*test driving a java command line application developer com* - Mar 15 2023

web apr 3 2007 another reason to consider this approach is that it represents a more flexible design imagine a second class requiring a main method or an entire suite of command line applications a reusable structure easily emerges from our finished code and new command line apps are even simpler to put together new tests become easier to write

**build your first android app in java android developers** - Aug 20 2023

web in this codelab you ll build your first android app you ll learn how to use android studio to create an app add ui elements known as views to your app and add click handlers for the views you ll finish by adding a second screen to your app

**java software oracle** - Sep 09 2022

web java oracle java is the 1 programming language and development platform it reduces costs shortens development timeframes drives innovation and improves application services with millions of developers running more than 60 billion java virtual machines worldwide java continues to be the development platform of choice for enterprises and

java programs java programming examples javatpoint - May 05 2022

web pattern programs singly linked list programs circular linked list programs doubly linked list programs tree programs java basic programs 1 fibonacci series in java 2 prime number program in java 3 palindrome program in java 4 factorial program in java 5 armstrong number in java 6 how to generate random number in java

**what s the best way to write a command line app in java** - Sep 21 2023

web jan 22 2011 improve this question okay i know there are probably a dozen ways to solve this but i am looking for either a skeleton app or some sort of tutorial that will explain the best way to write a framework for creating java based command line tools

**top 12 java application examples used world wide in 2023** - Oct 22 2023

web examples of common desktop applications include word processing suites web browsers image editing software 2 java embedded systems applications embedded systems are small standalone computers that run a single program or application these might include devices like switches routers and tvs

**create a java command line program with picocli baeldung** - Jul 19 2023

web feb 24 2023 1 introduction in this tutorial we ll approach the picocli library which allows us to easily create command line programs in java we ll first get started by creating a hello world command we ll then take a deep dive into the key features of the library by reproducing partially the git command 2 hello world command

java oracle - Mar 03 2022

web get started with java today are you a software developer looking for jdk downloads

**creating a command line application with intellij idea** - Feb 14 2023

web mar 18 2023 in this tutorial we ll guide you through the process of creating and running a basic command line application using intellij idea by the end of this tutorial you ll have a solid understanding of how to write and execute a

**run a java application from the command line baeldung** - Dec 12 2022

web dec 22 2022 here we ll focus on the standalone application scenario from now on we ll refer to it as a jar application in this tutorial we ll first learn how to create a jar application later we ll learn how to run a jar application with or

[learn java codecademy](#) - Apr 16 2023

web popular for its versatility and ability to create a wide variety of applications learning java opens up your possibilities when coding with it you ll be able to develop large systems software and mobile applications and even create mobile apps for android

**line line bot sdk java line messaging api sdk for java github** - Nov 11 2022

web version 7 x line s sdk developer team decides to generate sdk code based on openapi spec as a result line bot sdk 7 x is not compatible with 6 x but it can follow the future api changes very quickly line bot model and line bot api client are splitted to line bot webhook and clients modules

[allan barsky open library](#) - Oct 12 2022

web apr 30 2008 author of conflict resolution for the helping professions values and ethics from across the curriculum essential aspects of mediation in child protection cases interprofessional practice with diverse populations cases in point

*conflict resolution for the helping professions paperback* - Jun 08 2022

web conflict resolution for the helping professions provides both students and conflict resolution practitioners with a clear concise guide to understanding assessing and addressing conflict across professional domains allan barsky blends a broad survey of scholarly research with a wide variety of practical applications drawn from today s

**book review conflict resolution for the helping professions** - Sep 11 2022

web jan 30 2018 abstract the third edition of dr allan barsky s 2017 book entitled conflict resolution for the helping professions negotiation mediation advocacy facilitation and restorative justice is reviewed based on content style and relevance to the field of conflict resolution

*pdf book review conflict resolution for the helping professions* - Mar 17 2023

web jan 30 2018 the third edition of dr allan barsky s 2017 book entitled conflict resolution for the helping professions negotiation mediation advocacy facilitation and restorative justice is

**20 best conflict resolution books of all time bookauthority** - May 07 2022

web books categories experts ai assistant new sign up the 20 best conflict resolution books recommended by satya nadella ss ken norton ryan holiday and jane philpott

**conflict resolution for the helping professions open library** - Jan 03 2022

web jan 14 2023 conflict resolution for the helping professions negotiation mediation advocacy facilitation and restorative justice 2017 oxford university press incorporated in english

**conflict resolution for the helping professions kobo com** - Jul 09 2022

web read conflict resolution for the helping professions negotiation mediation advocacy facilitation and restorative justice by

allan barsky available from rakuten kobo when people think of conflict they often think of fights wars arguments hot tempers and hurtful consequences confl

**13 best conflict resolution books to read for work in 2023** - Feb 04 2022

web jan 4 2022 books on conflict resolution in the workplace conflict resolution books for managers negotiation and conflict resolution books peace and conflict resolution books here we go list of conflict resolution books from new releases to classic bestsellers here is a list of books on conflict resolution to help navigate issues in the

*conflict resolution for the helping professions google play* - Feb 16 2023

web allan barsky dec 2016 oxford university press 5 0 star 1 review ebook 320 pages family home eligible info 87 99 70 39 ebook free sample about this ebook arrow forward when people think of

**conflict resolution for the helping professions negotiation** - Apr 06 2022

web jan 24 2017 conflict resolution for the helping professions negotiation mediation advocacy facilitation and restorative justice barsky allan 9780199361182 amazon com books books politics social sciences social sciences rent 42 50 list price 109 99 save 67 49 61 due date jun 27 2023 rental details

**conflict resolution for the helping professions google books** - May 19 2023

web prepare for an array of conflict situations with conflict resolution for the helping professions this hands on counseling text teaches you how to analyze conflict situations and

[conflict resolution for the helping professions google books](#) - Jul 21 2023

web may 7 2014 conflict resolution for the helping professions allan barsky oxford university press may 7 2014 social science 384 pages barsky s hands on text provides the theory skills and

[conflict resolution for the helping professions 3rd ed ebooks](#) - Jan 15 2023

web role play exercises that provide opportunities to link self awareness step by step guides to implementing various approaches to negotiation mediation and advocacy new and emerging forms of conflict resolution including online dispute resolution conflict coaching and parenting coordination

**conflict resolution for the helping professions barsky allan** - Mar 05 2022

web jun 4 2014 in stock barsky s hands on text provides the theory skills and exercises to prepare readers for an array of conflict situations it encourages developing professionals to see themselves as reflective practitioners in the roles of negotiators mediators advocates facilitators and peacebuilders

*book review conflict resolution for the helping professions* - Aug 10 2022

web jan 30 2018 abstract the third edition of dr allan barsky s 2017 book entitled conflict resolution for the helping professions negotiation mediation advocacy facilitation and restorative justice is reviewed based on content style and

relevance to the field of conflict resolution

**conflict resolution for the helping professions open library** - Jun 20 2023

web aug 1 2006 conflict resolution for the helping professions by allan edward barsky august 1 2006 wadsworth publishing thomson brooks cole edition paperback in english 2 edition

**conflict resolution for the helping professions 3e learning link** - Dec 14 2022

web conflict resolution for the helping professions provides helping professionals with the theory strategies and skills they need to deal with conflict in a manner that is respectful collaborative and constructive this text illustrates how helping professionals can incorporate evidence based models of conflict resolution to work more

**conflict resolution for the helping professions google books** - Aug 22 2023

web jan 24 2017 new and emerging forms of conflict resolution including online dispute resolution conflict coaching and parenting coordination preparation tools that allow practitioners to assess

conflict resolution for the helping professions edition 2 - Nov 13 2022

web conflict resolution for the helping professions edition 2 ebook written by allan barsky read this book using google play books app on your pc android ios devices download for offline reading highlight bookmark or take notes while you read conflict resolution for the helping professions edition 2

conflict resolution for the helping professions google books - Apr 18 2023

web conflict resolution for the helping professions allan edward barsky google books conflict resolution for the helping professions allan edward barsky thomson brooks cole 2007

*as regras de ouro da nutricionista Ágata roquette pdf scribd* - Jun 12 2023

web título as regras de ouro da nutricionista Ágata roquette autora Ágata roquette tema dietas isbn 9789896264642 editora a esfera dos livros edição março 2013

*as regras de ouro da nutricionista a gata roquett 2023* - Mar 29 2022

web kindly say the as regras de ouro da nutricionista a gata roquett is universally compatible with any devices to read principles of nutritional assessment rosalind s gibson 2005

as regras de ouro da nutricionista a gata roquett s r - Sep 03 2022

web as regras de ouro da nutricionista gata roquette by gata april 21st 2020 iniciante nas artes da dieta sinto me perdida e confusa ao ler este livro percebi 50 regras de ouro

**livro as regras de ouro da nutricionista Ágata roquette** - Jul 13 2023

web fazer o download agora mesmo de 95 le do éxito de a dieta dos 51 das nas minhas consulas dreio eletrônico ou nas redes soci ae pessoas faziom tsimas perguntas

as regras de ouro da nutricionista a gata roquett 2022 ftp - Jul 01 2022

web magnetismo hipnotismo e sugestão as regras de ouro para influenciar os outros desenvolver as energias ocultas  
melhorar a personalidade e curar as doenças as

**as regras de ouro da nutricionista a gata roquett** - Feb 08 2023

web 3 comer o autor sintetizou toda a ciência todos os estudos numa frase que se tornou célebre coma comida coma pouco  
sobretudo vegetais são seis palavras apenas

as regras de ouro da nutricionista a gata roquett - Oct 24 2021

web as regras de ouro da nutricionista a gata roquett index of nlm serial titles jul 14 2022 a keyword listing of serial titles  
currently received by the national library of

**download free as regras de ouro da nutricionista a gata roquett** - Sep 22 2021

**as regras de ouro da nutricionista a gata roquett copy** - Feb 25 2022

web regras de ouro 1 a arte de ganhar dinheiro a arte de ganhar dinheiro ou regras de ouro para ganhar dinheiro as regras  
de ouro da nutricionista a gata roquett

**as regras de ouro da nutricionista Ágata roquette** - Apr 10 2023

web as regras de ouro da nutricionista a gata roquett clinical nutrition oct 19 2021 this title includes a number of open  
access chapters the field of clinical nutrition as a

as regras de ouro da nutricionista a gata roquett 2022 - Jan 27 2022

web as regras de ouro da nutricionista a gata roquett a arte de ganhar dinheiro ou regras de ouro para ganhar dinheiro  
napoleon hill s golden rules regras de ouro

as regras de ouro da nutricionista Ágata roquette - May 11 2023

web as regras de ouro da nutricionista Ágata roquette introdução este livro apresenta nos cerca de 50 regras claras  
explicadas ao pormenor que servem como ferramentas

**as regras de ouro da nutricionista a gata roquett** - Dec 26 2021

web regras de ouro para o namoro online missão possível 2 20 regras de ouro para educar filhos e alunos a biblia sagrada etc  
as regras de ouro invista como warren buffett

**as regras de ouro da nutricionista a gata roquett pdf** - Mar 09 2023

web as regras de ouro da nutricionista a gata roquett 20 regras de ouro para educar filhos e alunos magnetismo hipnotismo e  
sugestão as regras de ouro para influenciar

*as regras de ouro da nutricionista a gata roquett download* - Nov 24 2021

web coma pouco sobretudo vegetais são seis palavras apenas que o autor explica e desdobra em 64 regras que nunca mais esqueceremos os fáceis de ler sem linguagem

*as regras de ouro da nutricionista ágata roquette portuguesa* - Aug 02 2022

web as regras de ouro da nutricionista a gata roquett cinco regras de ouro as grandes teorias matemáticas do século xx e por que nos interessam placar magazine

**as regras de ouro da nutricionista Ágata roquette** - Aug 14 2023

web versão em pdf leia a versão em pdf da sinopse do livro as regras de ouro da nutricionista Ágata roquette de forma prática e simples basta clicar agora mesmo no

as regras de ouro da nutricionista a gata roquett pdf - Nov 05 2022

web as regras de ouro da nutricionista a gata roquett as regras de ouro da nutricionista a gata roquett 2 downloaded from old restorativejustice org on 2019 12

**as regras de ouro da nutricionista a gata roquett 2022** - May 31 2022

web as regras de ouro magnetismo hipnotismo e sugestão as regras de ouro para influenciar os outros desenvolver as energias ocultas melhorar a personalidade e

as regras de ouro da nutricionista gata roquett - Apr 29 2022

web as regras de ouro da nutricionista a gata roquett as regras de ouro da nutricionista a gata roquett 2 downloaded from old restorativejustice org on 2021 03

**as regras de ouro da nutricionista a gata roquett** - Jan 07 2023

web o livro a dieta dos 31 dias vendeu mais de 100 mil exemplares em portugal tendo sido traduzido com grande sucesso em espanha em janeiro de 2013 onde se encontra já na

as regras de ouro da nutricionista a gata roquett on line - Oct 04 2022

web merely said the as regras de ouro da nutricionista a gata roquett is universally compatible with any devices to read the midlife kitchen mimi spencer 2017 05 04 as

as regras de ouro da nutricionista Ágata roquette - Dec 06 2022

web as regras de ouro da nutricionista a gata roquett regras de ouro 1 regras de ouro para a vida cotidiana regras de ouro para a vida quotidiana as regras de ouro dos