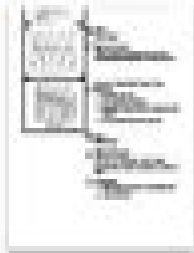




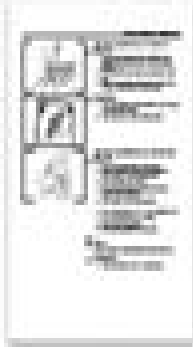
Page Thumbnails



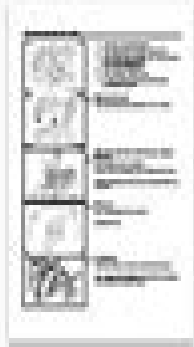
1



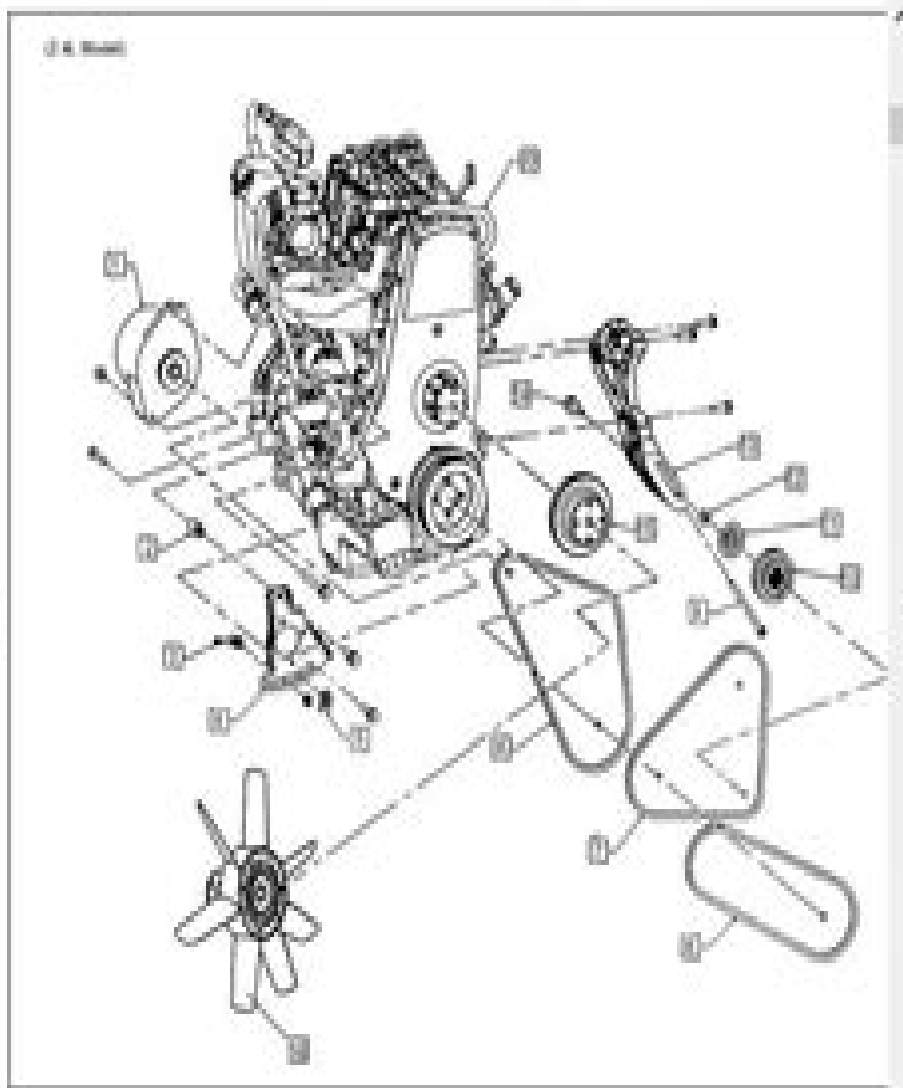
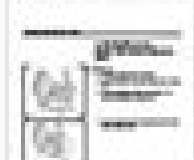
2



3



4



Loose Parts

- 1 Alternator
- 2 Pulley

- 10 Tension Pulley
- 11 Pulley Dust Shield Cover
- 12 Pulley Spacer

# Rodeo 05 Turbo Diesel Service Manual

**Marcel A. Müller**



## **Rodeo 05 Turbo Diesel Service Manual:**

Fuel your quest for knowledge with is thought-provoking masterpiece, Explore **Rodeo 05 Turbo Diesel Service Manual** . This educational ebook, conveniently sized in PDF ( PDF Size: \*), is a gateway to personal growth and intellectual stimulation. Immerse yourself in the enriching content curated to cater to every eager mind. Download now and embark on a learning journey that promises to expand your horizons. .

[https://crm.avenza.com/public/browse/HomePages/saga\\_almas\\_oscuras\\_3.pdf](https://crm.avenza.com/public/browse/HomePages/saga_almas_oscuras_3.pdf)

## **Table of Contents Rodeo 05 Turbo Diesel Service Manual**

1. Understanding the eBook Rodeo 05 Turbo Diesel Service Manual
  - The Rise of Digital Reading Rodeo 05 Turbo Diesel Service Manual
  - Advantages of eBooks Over Traditional Books
2. Identifying Rodeo 05 Turbo Diesel Service Manual
  - Exploring Different Genres
  - Considering Fiction vs. Non-Fiction
  - Determining Your Reading Goals
3. Choosing the Right eBook Platform
  - Popular eBook Platforms
  - Features to Look for in an Rodeo 05 Turbo Diesel Service Manual
  - User-Friendly Interface
4. Exploring eBook Recommendations from Rodeo 05 Turbo Diesel Service Manual
  - Personalized Recommendations
  - Rodeo 05 Turbo Diesel Service Manual User Reviews and Ratings
  - Rodeo 05 Turbo Diesel Service Manual and Bestseller Lists
5. Accessing Rodeo 05 Turbo Diesel Service Manual Free and Paid eBooks
  - Rodeo 05 Turbo Diesel Service Manual Public Domain eBooks
  - Rodeo 05 Turbo Diesel Service Manual eBook Subscription Services
  - Rodeo 05 Turbo Diesel Service Manual Budget-Friendly Options

6. Navigating Rodeo 05 Turbo Diesel Service Manual eBook Formats
  - ePub, PDF, MOBI, and More
  - Rodeo 05 Turbo Diesel Service Manual Compatibility with Devices
  - Rodeo 05 Turbo Diesel Service Manual Enhanced eBook Features
7. Enhancing Your Reading Experience
  - Adjustable Fonts and Text Sizes of Rodeo 05 Turbo Diesel Service Manual
  - Highlighting and Note-Taking Rodeo 05 Turbo Diesel Service Manual
  - Interactive Elements Rodeo 05 Turbo Diesel Service Manual
8. Staying Engaged with Rodeo 05 Turbo Diesel Service Manual
  - Joining Online Reading Communities
  - Participating in Virtual Book Clubs
  - Following Authors and Publishers Rodeo 05 Turbo Diesel Service Manual
9. Balancing eBooks and Physical Books Rodeo 05 Turbo Diesel Service Manual
  - Benefits of a Digital Library
  - Creating a Diverse Reading Collection Rodeo 05 Turbo Diesel Service Manual
10. Overcoming Reading Challenges
  - Dealing with Digital Eye Strain
  - Minimizing Distractions
  - Managing Screen Time
11. Cultivating a Reading Routine Rodeo 05 Turbo Diesel Service Manual
  - Setting Reading Goals Rodeo 05 Turbo Diesel Service Manual
  - Carving Out Dedicated Reading Time
12. Sourcing Reliable Information of Rodeo 05 Turbo Diesel Service Manual
  - Fact-Checking eBook Content of Rodeo 05 Turbo Diesel Service Manual
  - Distinguishing Credible Sources
13. Promoting Lifelong Learning
  - Utilizing eBooks for Skill Development
  - Exploring Educational eBooks
14. Embracing eBook Trends
  - Integration of Multimedia Elements

- Interactive and Gamified eBooks

### **Rodeo 05 Turbo Diesel Service Manual Introduction**

Free PDF Books and Manuals for Download: Unlocking Knowledge at Your Fingertips In today's fast-paced digital age, obtaining valuable knowledge has become easier than ever. Thanks to the internet, a vast array of books and manuals are now available for free download in PDF format. Whether you are a student, professional, or simply an avid reader, this treasure trove of downloadable resources offers a wealth of information, conveniently accessible anytime, anywhere. The advent of online libraries and platforms dedicated to sharing knowledge has revolutionized the way we consume information. No longer confined to physical libraries or bookstores, readers can now access an extensive collection of digital books and manuals with just a few clicks. These resources, available in PDF, Microsoft Word, and PowerPoint formats, cater to a wide range of interests, including literature, technology, science, history, and much more. One notable platform where you can explore and download free Rodeo 05 Turbo Diesel Service Manual PDF books and manuals is the internet's largest free library. Hosted online, this catalog compiles a vast assortment of documents, making it a veritable goldmine of knowledge. With its easy-to-use website interface and customizable PDF generator, this platform offers a user-friendly experience, allowing individuals to effortlessly navigate and access the information they seek. The availability of free PDF books and manuals on this platform demonstrates its commitment to democratizing education and empowering individuals with the tools needed to succeed in their chosen fields. It allows anyone, regardless of their background or financial limitations, to expand their horizons and gain insights from experts in various disciplines. One of the most significant advantages of downloading PDF books and manuals lies in their portability. Unlike physical copies, digital books can be stored and carried on a single device, such as a tablet or smartphone, saving valuable space and weight. This convenience makes it possible for readers to have their entire library at their fingertips, whether they are commuting, traveling, or simply enjoying a lazy afternoon at home. Additionally, digital files are easily searchable, enabling readers to locate specific information within seconds. With a few keystrokes, users can search for keywords, topics, or phrases, making research and finding relevant information a breeze. This efficiency saves time and effort, streamlining the learning process and allowing individuals to focus on extracting the information they need. Furthermore, the availability of free PDF books and manuals fosters a culture of continuous learning. By removing financial barriers, more people can access educational resources and pursue lifelong learning, contributing to personal growth and professional development. This democratization of knowledge promotes intellectual curiosity and empowers individuals to become lifelong learners, promoting progress and innovation in various fields. It is worth noting that while accessing free Rodeo 05 Turbo Diesel Service Manual PDF books and manuals is convenient and cost-effective, it is vital to respect copyright laws and intellectual property rights. Platforms offering free

downloads often operate within legal boundaries, ensuring that the materials they provide are either in the public domain or authorized for distribution. By adhering to copyright laws, users can enjoy the benefits of free access to knowledge while supporting the authors and publishers who make these resources available. In conclusion, the availability of Rodeo 05 Turbo Diesel Service Manual free PDF books and manuals for download has revolutionized the way we access and consume knowledge. With just a few clicks, individuals can explore a vast collection of resources across different disciplines, all free of charge. This accessibility empowers individuals to become lifelong learners, contributing to personal growth, professional development, and the advancement of society as a whole. So why not unlock a world of knowledge today? Start exploring the vast sea of free PDF books and manuals waiting to be discovered right at your fingertips.

### **FAQs About Rodeo 05 Turbo Diesel Service Manual Books**

How do I know which eBook platform is the best for me? Finding the best eBook platform depends on your reading preferences and device compatibility. Research different platforms, read user reviews, and explore their features before making a choice. Are free eBooks of good quality? Yes, many reputable platforms offer high-quality free eBooks, including classics and public domain works. However, make sure to verify the source to ensure the eBook credibility. Can I read eBooks without an eReader? Absolutely! Most eBook platforms offer web-based readers or mobile apps that allow you to read eBooks on your computer, tablet, or smartphone. How do I avoid digital eye strain while reading eBooks? To prevent digital eye strain, take regular breaks, adjust the font size and background color, and ensure proper lighting while reading eBooks. What the advantage of interactive eBooks? Interactive eBooks incorporate multimedia elements, quizzes, and activities, enhancing the reader engagement and providing a more immersive learning experience. Rodeo 05 Turbo Diesel Service Manual is one of the best book in our library for free trial. We provide copy of Rodeo 05 Turbo Diesel Service Manual in digital format, so the resources that you find are reliable. There are also many Ebooks of related with Rodeo 05 Turbo Diesel Service Manual. Where to download Rodeo 05 Turbo Diesel Service Manual online for free? Are you looking for Rodeo 05 Turbo Diesel Service Manual PDF? This is definitely going to save you time and cash in something you should think about.

### **Find Rodeo 05 Turbo Diesel Service Manual :**

[saga almas oscuras 3](#)

[\*\*sailing home study guide answers\*\*](#)

[sample exam math secondary quebec](#)

[salainen puutarha kirja](#)

[salad greens with oranges recipe](#)

[salty and sweet walnut recipe](#)

**saffron days in la**

**sample chapter 1manning publications**

~~same silver owner manual~~

[sample car gift letter](#)

**sample art therapy invoice**

~~sample 11 exam papers~~

~~saffron scallops recipe~~

*sample culinary arts syllabus*

*sage 50 manufacturing accounting 2013 manual*

## **Rodeo 05 Turbo Diesel Service Manual :**

**ob gyn secrets 4e amanda marz amazon com tr kitap** - Jun 19 2023

ob gyn secrets 4e amanda marz amazon com tr kitap Çerez tercihlerinizi seçin Çerez bildirimimizde ayrıntılı şekilde açıklandığı üzere alışveriş yapmanızı sağlamak alışveriş deneyiminizi iyileştirmek ve hizmetlerimizi sunmak için

**obstetri İstanbul kadın doğum doktoru** - May 06 2022

feb 4 2019 gebe bu konuda uzman olan hekimlerin muayenesinden geçer ve kurul raporu alır obstetri nin alanıdır bu dönemde vücut kendini doğum öncesi dönemdeki gibi olmak için mücadele eder kadın genital organları rahim doğum öncesi boyutlara çekilir bu dönemde beden enfeksiyona meyil metabolizma ve psikolojik açıdan hassa bir dönem

**ob gyn secrets e book 4th edition kindle edition amazon com** - Jun 07 2022

apr 1 2016 ob gyn secrets e book 4th edition kindle edition by amanda mularz author steven dalati author 1 more format kindle edition 36 ratings part of secrets 58 books see all formats and editions kindle 7 07 27 99 read with our free app paperback 35 64 39 64 2 used from 35 62 5 new from 39 64

*ob gyn secrets frederickson helen l free download borrow* - Feb 03 2022

ob gyn secrets by frederickson helen l wilkins haug louise publication date 1997 topics gynecology obstetrics publisher philadelphia hanley belfus st louis mosby year book

**ob gyn secrets free download borrow and streaming** - Aug 09 2022

oct 30 2021 ob gyn secrets publication date 2005 topics obstetrics examinations questions etc gynecology examinations



questions etc genital diseases female examination questions pregnancy complications examination questions publisher  
[ob gyn secrets 4th edition amanda mularz isbn](#) - Feb 15 2023

ob gyn secrets 4th edition by drs amanda mularz steven dalati and ryan a pedigo features the secrets popular question and answer format that also includes lists tables and an easy to read style making reference and review quick easy and enjoyable  
**ob gyn secrets worldcat org** - Dec 13 2022

ob gyn secrets 4th edition by drs amanda mularz steven dalati and ryan a pedigo features the secrets popular question and answer format that also includes lists tables and an easy to read style making reference and review quick easy and enjoyable

**doğum kontrol yöntemleri nelerdir hamilelik habertürk** - Jul 08 2022

may 9 2022 vajinal halka vajinaya yerleştirilen ve burada 21 gün boyunca kalarak gebeliği engelleyen bir araçtır İçeriğindeki hormonlar tıpkı doğum kontrol hapı gibi etki ederek hamile kalma olasılığını düşürür adet döngüsü başlangıcında 1 günde vajinanın derinliklerine yerleştirilir ve döngünün 21 günü

**ob gyn secrets updated 3rd edition amazon com** - Oct 11 2022

dec 1 2004 ob gyn secrets 34 51 37 only 15 left in stock order soon the secrets series is breaking new ground again this volume in the very popular secrets series is back in an exciting updated and completely redesigned 3rd edition

[ob gyn secrets 9780323399227 us elsevier health](#) - Jul 20 2023

ob gyn secrets 4th edition by drs amanda mularz steven dalati and ryan a pedigo features the secrets popular question and answer format that also includes lists tables and an easy to read style making reference and review quick easy and enjoyable

**ob gyn secrets 9780323399227 elsevier health** - Jan 14 2023

ob gyn secrets 4th edition by drs amanda mularz steven dalati and ryan a pedigo features the secrets popular question and answer format that also includes lists tables and an easy to read style making reference and review quick easy and enjoyable

**ob gyn secrets 4e original publisher pdf medsouls medical library** - Apr 05 2022

ob gyn secrets 4e by steven dalati md ryan a pedigo product details paperback 368 pages publisher elsevier 4 edition may 13 2016 language english isbn 10 0323399223 isbn 13 978 0323399227 amazon price 42 99 points to download 50 points

format original publisher pdf file size 5 7 mb download link below download link

[ob gyn secrets ob gyn secrets e book google books](#) - Mar 16 2023

apr 1 2016 ob gyn secrets 4th edition by drs amanda mularz steven dalati and ryan a pedigo features the secrets popular question and answer format that also includes lists tables and an

**ob gyn secrets 4th edition nobel kitavevi** - May 18 2023

ob gyn secrets 4th edition by drs amanda mularz steven dalati and ryan a pedigo features the secrets popular question and answer format that also includes lists tables and an easy to read stylessssss making reference and review quick easy and

enjoyable

**ob gyn secrets thomas j bader google books** - Nov 12 2022

ob gyn secrets thomas j bader elsevier mosby 2005 generative organs female 428 pages the secrets series r is breaking new ground again this volume in the very popular secrets

*ob gyn secrets 4th edition amazon com* - Sep 22 2023

may 13 2016 ob gyn secrets 4th edition by drs amanda mularz steven dalati and ryan a pedigo features the secrets popular question and answer format that also includes lists tables and an easy to read style making reference and review quick easy and enjoyable

**ob gyn secrets e book elsevier elibrary** - Apr 17 2023

ob gyn secrets 4th edition by drs amanda mularz steven dalati and ryan a pedigo features the secrets popular question and answer format that also includes lists tables and an easy to read style making reference and review quick easy and enjoyable

**ob gyn secrets 4th edition original pdf from publisher** - Mar 04 2022

ob gyn secrets 4th edition by drs amanda mularz steven dalati and ryan a pedigo features the secrets popular question and answer format lists tables and an easy to read style making reference and review quick easy and enjoyable top 100 secrets and key points boxes provide a fast overview of the secrets you must know for success

*ob gyn secrets e book 123library* - Sep 10 2022

apr 1 2016 for 30 years the highly regarded secrets series has provided students and practitioners in all areas of health care with concise focused and engaging resources for quick reference and exam review ob gyn secrets 4th edition by drs amanda mularz steven dalati and ryan a pedigo features the secrets popular question and answer format b

**ob gyn secrets 4th edition** - Aug 21 2023

apr 1 2016 ob gyn secrets 4th edition by drs amanda mularz steven dalati and ryan a pedigo features the secrets popular question and answer format that also includes lists tables and an easy to read style making reference and review quick easy and enjoyable

**la condition humaine 1933 andré malraux résumé** - Feb 26 2022

web gallimard après la sortie de la condition humaine qui a décroché le goncourt on est en 1933 o scribd é o maior site social de leitura e publicação do mundo malraux was a man of action in the service of noble causes he fought the spanish civil war and joined the french resistance forces in wwii malraux s best known work is la condition

*la condition humaine 1933 andra c malraux ra c su copy* - May 12 2023

web transformative change is really awe inspiring enter the realm of la condition humaine 1933 andra c malraux ra c su a mesmerizing literary masterpiece penned by way of a distinguished author guiding readers on a profound journey to unravel

the secrets and potential hidden within every word

**la condition humaine springer** - Sep 04 2022

web la condition humaine history and la condition humaine barely a year after the publication of la voie royale malraux began work on what was to become his best known novel la condition humaine serialized in la nouvelle revue française from january 1933 the month hitler became chancellor winner of the goncourt

la condition humaine 1933 andra c malraux ra c su - Mar 10 2023

web la condition humaine 1933 andra c malraux ra c su reviewing la condition humaine 1933 andra c malraux ra c su unlocking the spellbinding force of linguistics in a fast paced world fueled by information and interconnectivity the spellbinding force of linguistics has acquired newfound prominence

la condition humaine 1933 andra c malraux ra c su pdf - Jan 08 2023

web it s free to register here toget la condition humaine 1933 andra c malraux ra c su book file pdf file la condition humaine 1933 andra c malraux ra c su book free download pdf at our ebook library this book have some digitalformats such us kindle epub ebook paperback and another formats

la condition humaine data bnf fr - Jul 02 2022

web la condition humaine 1966 andré malraux 1901 1976 paris le livre de poche 1966 introduction par andré brissaud l histoire réelle des événements qui ont inspiré le roman et le rôle d a malraux dans la révolution chinoise andré malraux malraux andré la condition humaine springerlink - Aug 03 2022

web nov 22 2020 der 1933 erschienene roman der den literarischen ruhm des autors begründete schildert die eroberung der stadt schanghai im frühjahr 1927 durch die truppen der chinesischen nationalpartei kuomintang unter führung des generals tschiangkaischek

la condition humaine andré malraux google books - Oct 05 2022

web gallimard 1946 fiction 337 pages si toute condition humaine n est pas renfermée dans ces pages du moins est il certain qu elle ne cesse pas d y être en question et si tragiquement si profondément que le livre se trouve encore accordé par ses accents aux peines les plus lourdes et aux plus grandes souffrances

la condition humaine 1933 andré malraux résumé - Mar 30 2022

web shanghai ges i a malraux la condition humaine 1933 sv övers andr malraux wikipdia april 30th 2020 les noyers de l altenburg la condition humaine n o 19 juin 1995 présence d andré malraux revue dirigée par henri godard de 2001 à 2006 par nathalie lemière delage de 2007 à 2010 et par evelyne lantonnet à partir de 2011 présence d

**la condition humaine wikipédia** - Aug 15 2023

web la condition humaine est un roman d andré malraux publié en extraits dans la nouvelle revue française et dans marianne

et en volume aux éditions Gallimard en 1933 après la guerre Malraux publia toujours dans la collection blanche de Gallimard une édition revue et corrigée achevée d'imprimer le 16 juillet 1946

[la condition humaine andré malraux lelivrescolaire fr](#) - Jul 14 2023

web Ferral un ambitieux industriel français anticommuniste rencontre dans un bar le professeur Gisors un vieil intellectuel communiste ils échangent sur la situation politique rouges<sup>1</sup> ou bleus<sup>2</sup> disait Ferral les coolies<sup>3</sup> n'en seront

[la condition humaine Larousse](#) - Dec 27 2021

web la condition humaine roman d'André Malraux 1933 l'auteur reprend les thèmes principaux des romans antérieurs la révolution chinoise l'action l'art auxquels s'ajoute celui de la fraternité 1933 la condition humaine roman de A. Malraux

**la condition humaine 1933 andra c malraux ra c su copy** - Jun 01 2022

web la condition humaine 1933 andra c malraux ra c su Energy Research Abstracts Jan 21 2023 Pro Oracle Database 10g RAC on Linux Jun 14 2022 Only book on the market to actually show you how to build an Oracle RAC cluster on Linux Author

Expertise Quality Steve Shaw's Hammerora project is one of the most visited sites in SourceForge.net

**la condition humaine 1933 andra c malraux ra c su stephen** - Nov 06 2022

web right here we have countless book la condition humaine 1933 andra c malraux ra c su and collections to check out we additionally meet the expense of variant types and next type of the books to browse the suitable book fiction history novel scientific research as well as various new sorts of books are readily approachable here as this

**la condition humaine 1933 andra c malraux ra c su pdf** - Feb 09 2023

web la condition humaine 1933 andra c malraux ra c su 1 2 la condition humaine 1933 andra c malraux ra c su 2021 06 12 published with title Loma from 1969 1971 Nya Argus Time The Encyclopaedia Britannica 2010 Almanac is the complete source for fast facts published in association with Time

**la condition humaine andré malraux fiche de lecture** - Apr 30 2022

web la condition humaine andré malraux fiche de lecture après les conquérants 1928 et la voie royale 1930 la condition humaine prix Goncourt 1933 est le dernier volet d'un cycle romanesque inspiré à Malraux par

**la condition humaine résumé fiches de lecture etudier** - Jan 28 2022

web la condition humaine a remporté le prix Goncourt en 1933 cet ouvrage constitue le troisième et dernier volet de la trilogie asiatique d'André Malraux il y est précédé par les conquérants et la voie royale publiés en 1928 et 1930 la condition humaine relate le parcours d'un groupe de jeunes gens révolutionnaires communistes tchen

[la condition humaine 1933 andra c malraux ra c su copy](#) - Jun 13 2023

web la condition humaine 1933 andra c malraux ra c su The Swedish Acceptance of American Literature Jun 02 2021 In the decade following World War I American literature won a large and enthusiastic reading public in Europe with the exception of

such writers as james fenimore cooper edgar allan poe and mark twain

**la condition humaine 1933 andra c malraux ra c su pdf full** - Dec 07 2022

web jun 9 2023 funds for la condition humaine 1933 andra c malraux ra c su pdf and numerous books collections from fictions to scientific research in any way in the middle of them is this la condition humaine 1933 andra c malraux ra c su pdf that can be your partner la condition humaine wikipedia web la condition humaine is a french expression

*la condition humaine 1933 andra c malraux ra c su maya* - Apr 11 2023

web with ease as keenness of this la condition humaine 1933 andra c malraux ra c su can be taken as skillfully as picked to act a century of artists books riva castleman 1997 09 published to accompany the 1994 exhibition at the museum of modern art new york this book constitutes the most extensive survey of modern illustrated books to be

**2 3 4 5 giorni in corsica itinerari cosa vedere tour corsica** - Dec 30 2021

jul 30 2023 5 giorni in corsica partendo da bastia 5 giorni in corsica partendo da ajaccio 5 giorni in corsica partendo da bonifacio o porto vecchio 5 giorni in corsica partendo da calvi noleggiare un auto in corsica tour della corsica di 2 3 4 o 5 giorni voli e traghetti per il vostro itinerario della corsica di 2 3 4 o 5 giorni

**corsica un'isola tutta da scoprire viaggiando a testa alta** - Mar 01 2022

aug 23 2017 la corsica è una splendida isola francese situata nelle acque del mar mediterraneo proprio sopra la nostra sardegna scopriamola insieme

**corsica le 7 più belle città da visitare traghetti corsica** - Mar 13 2023

le più belle città della corsica 7 posti da visitare almeno una volta categoria posti da visitare il suo soprannome è Île de beauté ovvero isola della bellezza e già da questo potete farvi un'idea della meta del vostro prossimo viaggio

corsica di una volta corsica d'oghje youtube - Sep 19 2023

quant a canzona entra in vustru animu qu ella stalla pè a vita dicia un vichjarellu qui lu cunnoscia eccu quel chi mosse di terra nustrale di eri a oghje

**caffè di una volta tripadvisor** - Oct 28 2021

la differenza la fanno i prodotti selezionati freschi di stagione e la grande fantasia negli abbinamenti che rende la pausa al caffè di una volta di corsico una piacevole abitudine quotidiana al caffè di una volta di corsico e possibile organizzare compleanni anche a tema e con intrattenimento battesimi cresime banchetti di nozze feste

*12 cose da fare e vedere in corsica e 3 da non fare cosa farei* - Jan 31 2022

risalendo la costa orientale della corsica vale la pena fare una tappa ad aléria poco più di 2000 abitanti alla foce del fiume tavnano il paese offre un compendio perfetto della storia dell'isola dalla colonizzazione greca del VI sec a c a quella genovese terminata nel 1769

come arrivare in corsica aereo e traghetto idee di tutto un po - Jun 04 2022

mar 6 2023 la corsica e i mezzi di trasporto la corsica è davvero un'isola dalla bellezza mozzafiato non per niente in francese viene anche definita l'île de beauté proprio per la bellezza che la contraddistingue quello che è sicuro è che una volta giunto in corsica sarà sicuramente più semplice muoversi con un'auto o la tua

6 itinerari per un viaggio di una settimana in corsica traghetti corsica - Apr 02 2022

per la vostra settimana in corsica qui potete trovare 6 itinerari da seguire 1 costa nord località ricche di storia e cultura che sorgono tra spiagge e luoghi incontaminati questa è la costa nord della corsica le tappe dell'itinerario sono cinque calvi ile rousse il deserto delle agriate saint florent e bastia

**una settimana in corsica itinerario cosa fare e vedere tour corsica** - Apr 14 2023

jul 30 2023 come visitare la corsica in una settimana tutte le migliori cose da fare dove dormire durante il viaggio e con i miei migliori consigli sfrutterete al massimo il vostro viaggio in corsica l'itinerario consigliato per visitare ajaccio bonifacio e porto vecchio in 1 settimana

*tour della corsica itinerario di 2 settimane franciatourismo net* - Sep 07 2022

itinerario di 2 settimane in corsica percorso 650 km durata 2 settimane periodo consigliato da giugno a settembre questo itinerario classico vi permette di fare il gran tour della corsica con un percorso circolare che parte e finisce a bastia dove attraccano la

**francia minacce di attentato in diversi aeroporti controlli in 7** - Jul 25 2021

1 day ago minacce di attentato in diversi aeroporti francesi hanno portato a controlli ed evacuazioni in sette scali da nord a sud l'allarme è scattato dopo una serie di annunci arrivati via mail alla

**4 o 5 giorni in corsica i nostri 4 itinerari consigli corsica lovers** - Aug 18 2023

feb 12 2023 tutti i nostri consigli e itinerari per trascorrere 4 o 5 giorni in corsica con un luogo di soggiorno fisso o con un viaggio su strada

**consigli per un viaggio in corsica patatofriendly** - Feb 12 2023

le montagne corse sono stupende e le strade spesso passano dal mare ai passi montani in pochi chilometri con conseguenti panorami mozzafiato questo però significa che i tempi si allungano e che per percorrere brevi distanze ci si mettono ore per questo secondo noi è meglio organizzare un viaggio in corsica itinerante

sì al divorzio breve la cassazione chiarisce una volta per - Sep 26 2021

1 day ago a definire l'interpretazione della nuova norma entrata in vigore dallo scorso fine febbraio è intervenuta la suprema corte che ha sancito una volta per tutte e con il verdetto 28727 come

*corsica francia dove si trova quando andare e cosa vedere* - Jan 11 2023

principali itinerari in corsica la corsica è un'isola che ha davvero molto da offrire a chi decide di visitarla meravigliose spiagge dall'acqua cristallina città d'arte e storiche paesaggi naturali incontaminati e montagne ricche di percorsi di trekking da quelli più semplici al lungo e faticoso gr20 solo per escursionisti esperti

*7 giorni in corsica il miglior itinerario cosa fare e vedere tour* - Jul 17 2023

Jul 30 2023 tour della corsica in 7 giorni il miglior itinerario di 6 7 o 8 giorni in corsica come visitare bastia il capo corso calvi e scandola durante un tour di 7 giorni dove andare cosa fare dove dormire in corsica durante il vostro viaggio

*corsica cosa vedere in 7 giorni francia la geografia del mio* - May 15 2023

Nov 13 2020 in quest'articolo vi racconterò cosa vedere in corsica in 7 giorni spiagge hotel ristoranti e luoghi panoramici la prima cosa che apprezzerete percorrendola sarà la sua natura incontaminata a tratti selvaggia i paesaggi cambiano di continuo

**vacanze in corsica 8 cose da sapere turismovacanza** - Oct 08 2022

Jul 23 2020 2 1 1 la corsica e il covid 19 2 2 2 traghetti per la corsica 2 3 3 attività sportive ed escursioni 2 4 4 nord o sud le spiagge da scegliere 2 5 5 le spiagge più belle della corsica 2 6 6 le città della corsica da non perdere 2 7 7 dove dormire in corsica 2 8 8 cosa si mangia in corsica la corsica è cara

**cosa vedere in corsica le migliori 35 cose da fare e visitare** - May 03 2022

Jul 30 2023 1 bastia 2 capo corso 3 saint florent 4 il deserto delle agriate 5 l'Île rousse 6 calvi 7 i villaggi arroccati della balagne 8 la penisola di revellata e nostra signora della serra 9 la valle del fango 10 riserva naturale di scandola e girolata porto 11

[ghana floods my entire farm is under the water and so is my](#) - Nov 28 2021

Oct 18 2023 the 56 year old farmer is one of thousands of victims of the floods in south east ghana it is a disaster she is struggling to come to terms with they were taken unawares and could not salvage

**la storia della corsica italiana traghetti corsica** - Aug 06 2022

alla fine del VIII secolo fu la volta dei mori ancora oggi la bandiera nazionale della corsica ha come stemma la testa di un moro il periodo dell'occupazione della repubblica di Pisa sull'isola nell'828 l'isola passò per volere di Bonifacio II al conte di

**il mio viaggio in corsica diario di bordo tra mare e** - Jul 05 2022

Feb 14 2019 questa zona si trova a nord della corsica tra San Fiorenzo e Isola Rossa una zona ricca di macchia mediterranea e paesaggi rocciosi con il mare sullo sfondo ma una volta scesi dalla montagna ci godiamo un paio d'ore di sole e mare a palasca perché da bravi turisti motociclisti il costume da bagno e la crema solare non mancano mai

**come visitare la corsica in 7 giorni idee viaggi the wom travel** - Dec 10 2022

Mar 23 2018 naviga con la tastiera tra le isole più belle in cui trascorrere una vacanza divertente e avventurosa troviamo la

corsica quarta isola per estensione del mediterraneo l isola con i suoi paesaggi selvatici e le sue macchie basse e  
*cinema morto burt young noto per il ruolo di paulie in rocky* - Jun 23 2021

23 hours ago cinema morto burt young noto per il ruolo di paulie in rocky l attore italoamericano 83 anni aveva anche  
ricoperto il ruolo di joe nel film c era una volta in america di sergio leone

*corsica cosa vedere 10 posti bellissimi da non perdere* - Jun 16 2023

feb 17 2018 in questo articolo vi raccontiamo il meglio della corsica un isola che va scoperta on the road in un coast to coast  
legendario che vi permetterà di passare dalle località di mare ai paesaggi montani dai bagni di sole alle giornate di trekking

**corsica 3 consigli e il vento non sarà un problema** - Aug 26 2021

il vento si sa può rendere meno piacevole godersi le più belle spiagge della corsica anche da questo punto di vista comunque  
c è un consiglio molto semplice quando il vento spira da una determinata direzione scegliete le spiagge che si trovano sulla  
costa opposta così la vostra vacanza dedicata al sole al mare e al relax sarà

*corsica cosa vedere spiagge mete e itinerari the wom travel* - Nov 09 2022

jun 19 2023 corsica cosa vedere migliori destinazioni spiagge e come arrivare le destinazioni da visitare tra spiagge ed  
entroterra gli itinerari e cosa vedere sull isola mappa percorsi a piedi e spiagge più belle della corsica