

- 1. Actual position
- 2. Gearbox control
- 3. Description of components
- 3. Diagram
- 3. Quiz
- 1. System description
- 2. Description of components

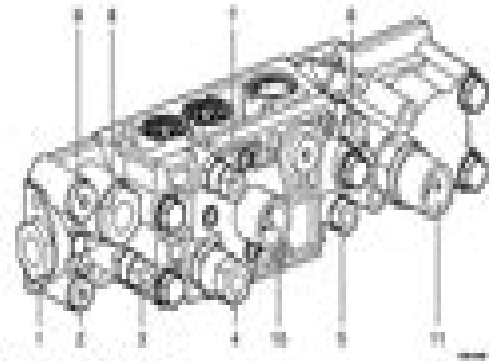
GEARBOX CONTROL

Description of components

GE 195 1000

2.4 INTEGRATED AIR DISTRIBUTION BLOCK

The integrated air distribution block has a single control connected to the air supply (1) that, apart from components associated with air, the heated position valve and the gas protection locking valve are also integrated into the distribution block.



Exploded view of integrated air distribution block

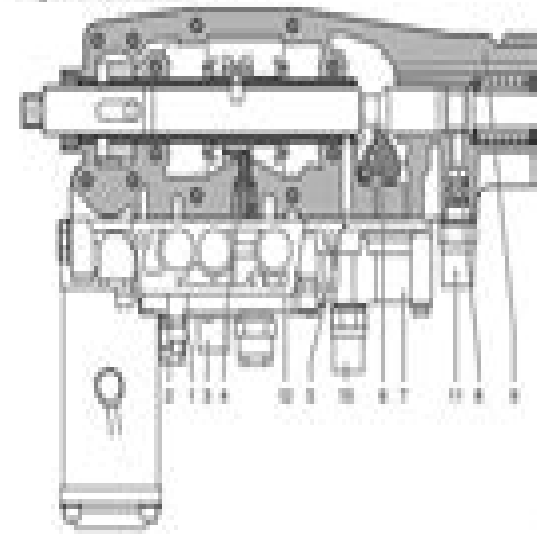
1. Control air supply (PS)
2. Air connector (PS/PS)
3. Gas connector (PS)
4. Control valve air supply (PS)
5. Lock pressure for range change valve low range (H/L)
6. Lock pressure for range change valve high range (H/H)
7. Control valve of range change valve position valve gas lock (PS)
8. Heated air supply (PS)
9. Gas connector (PS)
10. Electrical connector gas protection and gas protection (PS)
11. Heated position valve (PS)

GEARBOX CONTROL

Description of components

GE 195 1000

Relevant steering valve locking with integrated air distribution block



1. Control valve of lock/locking range gear position force
2. Lock valve air supply
3. Electrical connector (control/gas protection valve and gas protection valve (PS))
4. Heated position valve locking air
5. Heated water control gas
6. Locking/locking gas protection valve lock
7. Gas protection locking valve
8. Heating water control gas
9. Solenoid housing
10. Heated position valve (PS)
11. Heating water (H/W)
12. Air distribution block

Service Manual Daf Xf 105

R Bogdan



Service Manual Daf Xf 105:

Immerse yourself in the artistry of words with is expressive creation, **Service Manual Daf Xf 105** . This ebook, presented in a PDF format (Download in PDF: *), is a masterpiece that goes beyond conventional storytelling. Indulge your senses in prose, poetry, and knowledge. Download now to let the beauty of literature and artistry envelop your mind in a unique and expressive way.

https://crm.avenza.com/results/publication/Documents/Oude_Boeken_Te_Koop.pdf

Table of Contents Service Manual Daf Xf 105

1. Understanding the eBook Service Manual Daf Xf 105
 - The Rise of Digital Reading Service Manual Daf Xf 105
 - Advantages of eBooks Over Traditional Books
2. Identifying Service Manual Daf Xf 105
 - Exploring Different Genres
 - Considering Fiction vs. Non-Fiction
 - Determining Your Reading Goals
3. Choosing the Right eBook Platform
 - Popular eBook Platforms
 - Features to Look for in an Service Manual Daf Xf 105
 - User-Friendly Interface
4. Exploring eBook Recommendations from Service Manual Daf Xf 105
 - Personalized Recommendations
 - Service Manual Daf Xf 105 User Reviews and Ratings
 - Service Manual Daf Xf 105 and Bestseller Lists
5. Accessing Service Manual Daf Xf 105 Free and Paid eBooks
 - Service Manual Daf Xf 105 Public Domain eBooks
 - Service Manual Daf Xf 105 eBook Subscription Services
 - Service Manual Daf Xf 105 Budget-Friendly Options

6. Navigating Service Manual Daf Xf 105 eBook Formats
 - ePub, PDF, MOBI, and More
 - Service Manual Daf Xf 105 Compatibility with Devices
 - Service Manual Daf Xf 105 Enhanced eBook Features
7. Enhancing Your Reading Experience
 - Adjustable Fonts and Text Sizes of Service Manual Daf Xf 105
 - Highlighting and Note-Taking Service Manual Daf Xf 105
 - Interactive Elements Service Manual Daf Xf 105
8. Staying Engaged with Service Manual Daf Xf 105
 - Joining Online Reading Communities
 - Participating in Virtual Book Clubs
 - Following Authors and Publishers Service Manual Daf Xf 105
9. Balancing eBooks and Physical Books Service Manual Daf Xf 105
 - Benefits of a Digital Library
 - Creating a Diverse Reading Collection Service Manual Daf Xf 105
10. Overcoming Reading Challenges
 - Dealing with Digital Eye Strain
 - Minimizing Distractions
 - Managing Screen Time
11. Cultivating a Reading Routine Service Manual Daf Xf 105
 - Setting Reading Goals Service Manual Daf Xf 105
 - Carving Out Dedicated Reading Time
12. Sourcing Reliable Information of Service Manual Daf Xf 105
 - Fact-Checking eBook Content of Service Manual Daf Xf 105
 - Distinguishing Credible Sources
13. Promoting Lifelong Learning
 - Utilizing eBooks for Skill Development
 - Exploring Educational eBooks
14. Embracing eBook Trends
 - Integration of Multimedia Elements

- Interactive and Gamified eBooks

Service Manual Daf Xf 105 Introduction

Service Manual Daf Xf 105 Offers over 60,000 free eBooks, including many classics that are in the public domain. Open Library: Provides access to over 1 million free eBooks, including classic literature and contemporary works. Service Manual Daf Xf 105 Offers a vast collection of books, some of which are available for free as PDF downloads, particularly older books in the public domain. Service Manual Daf Xf 105 : This website hosts a vast collection of scientific articles, books, and textbooks. While it operates in a legal gray area due to copyright issues, its a popular resource for finding various publications. Internet Archive for Service Manual Daf Xf 105 : Has an extensive collection of digital content, including books, articles, videos, and more. It has a massive library of free downloadable books. Free-eBooks Service Manual Daf Xf 105 Offers a diverse range of free eBooks across various genres. Service Manual Daf Xf 105 Focuses mainly on educational books, textbooks, and business books. It offers free PDF downloads for educational purposes. Service Manual Daf Xf 105 Provides a large selection of free eBooks in different genres, which are available for download in various formats, including PDF. Finding specific Service Manual Daf Xf 105, especially related to Service Manual Daf Xf 105, might be challenging as theyre often artistic creations rather than practical blueprints. However, you can explore the following steps to search for or create your own Online Searches: Look for websites, forums, or blogs dedicated to Service Manual Daf Xf 105, Sometimes enthusiasts share their designs or concepts in PDF format. Books and Magazines Some Service Manual Daf Xf 105 books or magazines might include. Look for these in online stores or libraries. Remember that while Service Manual Daf Xf 105, sharing copyrighted material without permission is not legal. Always ensure youre either creating your own or obtaining them from legitimate sources that allow sharing and downloading. Library Check if your local library offers eBook lending services. Many libraries have digital catalogs where you can borrow Service Manual Daf Xf 105 eBooks for free, including popular titles. Online Retailers: Websites like Amazon, Google Books, or Apple Books often sell eBooks. Sometimes, authors or publishers offer promotions or free periods for certain books. Authors Website Occasionally, authors provide excerpts or short stories for free on their websites. While this might not be the Service Manual Daf Xf 105 full book , it can give you a taste of the authors writing style. Subscription Services Platforms like Kindle Unlimited or Scribd offer subscription-based access to a wide range of Service Manual Daf Xf 105 eBooks, including some popular titles.

FAQs About Service Manual Daf Xf 105 Books

How do I know which eBook platform is the best for me? Finding the best eBook platform depends on your reading

preferences and device compatibility. Research different platforms, read user reviews, and explore their features before making a choice. Are free eBooks of good quality? Yes, many reputable platforms offer high-quality free eBooks, including classics and public domain works. However, make sure to verify the source to ensure the eBook credibility. Can I read eBooks without an eReader? Absolutely! Most eBook platforms offer web-based readers or mobile apps that allow you to read eBooks on your computer, tablet, or smartphone. How do I avoid digital eye strain while reading eBooks? To prevent digital eye strain, take regular breaks, adjust the font size and background color, and ensure proper lighting while reading eBooks. What the advantage of interactive eBooks? Interactive eBooks incorporate multimedia elements, quizzes, and activities, enhancing the reader engagement and providing a more immersive learning experience. Service Manual Daf Xf 105 is one of the best book in our library for free trial. We provide copy of Service Manual Daf Xf 105 in digital format, so the resources that you find are reliable. There are also many Ebooks of related with Service Manual Daf Xf 105. Where to download Service Manual Daf Xf 105 online for free? Are you looking for Service Manual Daf Xf 105 PDF? This is definitely going to save you time and cash in something you should think about.

Find Service Manual Daf Xf 105 :

~~oude boeken te koop~~

oster 6056 user guide

overcoming insomnia tips for successful sleeping

outsiders and movie comparison contrast guide

[outline shapes of the 7 continents](#)

outlines for research papers

outwitting the devil

outboard gearcase capacity charts basic power industries

our souls at night

[out of the shoebox an autobiographic mystery historical nonfiction story](#)

other selves philosophers on friendship hackett readings in philosophy

[osha 7course study guide](#)

outlook email setup instructions

over to you teachers guide grade 11

otc 100 manual

Service Manual Daf Xf 105 :**masaje terapeutico y deportivo el incluye cd pdf uniport edu** - Apr 02 2023

web aug 5 2023 masaje terapeutico y deportivo el incluye cd 2 8 downloaded from uniport edu ng on august 5 2023 by guest modifications to make each exercise more

masaje terapeutico y deportivo el incluye cd download only - Nov 28 2022

web masaje terapeutico y deportivo el incluye cd 1 masaje terapeutico y deportivo el incluye cd anatomía y masaje deportivo el masaje terapéutico y deportivo masaje

İstanbul spa masaj en uygun spa merkezleri spafoni - May 23 2022

web uzak doğu masajları spa masaj fulya business life hotel spa wellness ta masaj fırsatlarından spafoni com ile faydalanın İncele 400 00 try 99 00 try İsveç masajı

libro masaje terapéutico y deportivo el incluye cd francisco - Mar 01 2023

web libro masaje terapéutico y deportivo el incluye cd francisco fajardo ruiz isbn 9788498274226 comprar en buscalibre ver opiniones y comentarios compra y venta

masaje terapeutico y deportivo el incluye cd pdf uniport edu - Dec 30 2022

web jul 23 2023 masaje terapeutico y deportivo el incluye cd 1 12 downloaded from uniport edu ng on july 23 2023 by guest masaje terapeutico y deportivo el incluye

pdf epub masaje terapéutico y deportivo el incluye cd - Oct 08 2023

web este libro esta creado exclusivamente para uso profesional bien de aquellos que se inician en el bello arte del masaje terapéutico y deportivo o para los que ya trabajan como

masaje terapeutico y deportivo el incluye cd pdf emidproxy - Jul 25 2022

web masaje terapeutico y deportivo el incluye cd masaje terapeutico y deportivo el incluye cd 2 downloaded from emidproxy vaccination gov ng on 2020 06 11 by guest

masaje terapéutico y deportivo el incluye cd fajardo ruiz - Aug 06 2023

web masaje terapéutico y deportivo el incluye cd de fajardo ruiz francisco isbn 10 8498274222 isbn 13 9788498274226 editorial dilema 2018 tapa blanda

masaje terapeutico y deportivo el incluye cd full pdf - Dec 18 2021

web cada pase de masaje para los grupos musculares del cuello el hombro el tronco la pelvis la pierna y el pie también muestra cómo usar posiciones avanzadas de trabajo con el

download masaje terapéutico y deportivo el incluye cd de - Jul 05 2023

web apr 17 2021 descargar masaje terapéutico y deportivo el incluye cd de francisco fajardo ruiz ebooks pdf epub masaje

terapéutico y deportivo el incluye cd

masaje terapeutico y deportivo el incluye cd - Sep 26 2022

web masaje terapeutico y deportivo el incluye cd mujer y deporte masaje avanzado fisioterapeutas servicio aragonés de salud temario materia específica volumen 2

masaje terapeutico y deportivo el incluye cd pdf 2013 - Jun 04 2023

web el masaje deportivo anatomía masaje deportivo manual profesional del masaje fisioterapeutas temario específico volumen 3 sas masaje avanzado theory

masaj salonları İstanbul masaj - Apr 21 2022

web sorun 24 saat içerisinde cevap garanti İstanbul da masaj hizmeti sunan masaj salonlarının adres telefon ve diğer iletişim bilgileri yer almaktadır

masaje terapeutico y deportivo el incluye cd copy uniport edu - Aug 26 2022

web aug 19 2023 masaje terapeutico y deportivo el incluye cd as recognized adventure as skillfully as experience about lesson amusement as well as bargain can be gotten by

descargar masaje terapéutico y deportivo el incluye cd de - May 03 2023

web apr 16 2021 descargar ebook masaje terapéutico y deportivo el incluye cd de francisco fajardo ruiz pdf epub mobi gratis comprar ebook masaje terapéutico y

masaje terapeutico y deportivo el incluye cd pdf uniport edu - Oct 28 2022

web jul 28 2023 terapeutico y deportivo el incluye cd thus simple awaken the giant within anthony robbins 2013 shows readers how to clarify their personal values resolve

İstanbul un en İyi 10 masaj ve spa merkezi mahmure hürriyet - Mar 21 2022

web İşte İstanbul un en İyi 10 masaj ve spa merkezi İstanbul daki masaj hamam ve spa seçenekleri için burayı tıklayabilirsiniz 2 greenspa

masaje terapéutico y deportivo el incluye cd by francisco - Jun 23 2022

web sep 30 2023 may 31st 2020 este curso de masaje deportivo y de salud deportiva ofrece una formación básica sobre la materia en este curso se abordan todos los

masaje terapéutico y deportivo el incluye cd tapa blanda - Sep 07 2023

web masaje terapéutico y deportivo el incluye cd fajardo ruiz francisco amazon es libros

İstanbul masaj salonları ve spa merkezleri - Feb 17 2022

web sorun 24 saat içerisinde cevap garanti İstanbul masaj salonları ve spa merkezleri ile sertifikalı masöz ve masör tanıtımları yanı sıra masaj çeşitleri hakkında bilgi paylaşımı

masaje terapeutico y deportivo el incluye cd pdf - Jan 31 2023

web el masaje deportivo feb 26 2023 el masaje es un importante método terapéutico y un medio eficaz de entrenamiento que adquiere cada vez más mayor importancia tanto en

masaje terapeutico y deportivo el incluye cd copy - Jan 19 2022

web 2 masaje terapeutico y deportivo el incluye cd 2022 04 16 masaje terapeutico y deportivo el incluye cd downloaded from implantes odontocompany com by guest

piston rings tpr co ltd - Jul 14 2023

web catalog 341 tpr catalogue 2020 vol 17 pdf motor vehicle automotive industry when ordering please be sure to state the following our set number size type and

catalog 341 tpr catalogue 2020 vol 17 pdf motor vehicle - May 12 2023

web tpr piston rings catalogue for japanese vehicles vol17 Кольца поршневые tp vol17 pdf car manufacturers of japan vehicle industry ipx up psefs uq qjtupo sjoh

tp piston ring catalogue pdf new download weebly - Feb 26 2022

web may 30 2023 tp piston rings catalogue pdf the ultimate resource for car enthusiasts and mechanics tp piston ring catalogue pdf download a guide for car

click to go to catalog piston seal tp profile catalog eps - Jun 01 2022

web the piston rings of this catalogue are in grindtech spare part quality this catalogue has been compiled and controlled very carefully nevertheless we are not liable for any

catalogue - Mar 30 2022

web aug 9 2021 mpls tp shared ring protection msrp mechanism mpls tp shared ring protection msrp mechanism draft cheng mpls tp shared ring protection 01

download pdf tpr piston rings catalogue for - Aug 15 2023

web piston rings piston rings play the role of controlling lubricating oil and because they are used in a high speed motion part they are critical functional parts demanding high

tp piston ring catalogue pdf download slideserve - Jan 28 2022

web present below as capably as review tp piston ring catalogue what you taking into consideration to read horseless age 1913 phase equilibria andreas l muhlbauer

piston ring catalogue 0086parts com - Jul 02 2022

web piston catalogue free download as pdf file pdf text file txt or view presentation slides online piston 872 132 1800 2000 2200 2500 3000 3400 3600 6000 2700 1600

[tp piston rings catalogue pdf the ultimate resource for car](#) - Dec 27 2021

web name piston ring tp catalogue pdf txt size 0 00 mb created 2016 09 21 02 26 22 last download 2022 12 22 20 55 06

tp piston ring catalogue harvard university - Nov 25 2021

web detailed info about tp piston ring contact taiwan automobile piston supplier aeps trading co ltd for piston ring on taiwantrade

[the best for engines tpr products in engine t pr](#) - Jan 08 2023

web nippon piston ring co ltd security check

[npr nippon piston ring piston rings](#) - Aug 03 2022

web catalog eps 5370 usa piston seal tp profile tp cross section tp profile piston t seal compact seal with anti extrusion technology parker s tp profile piston t seal is

[tpr piston rings catalogue for japanese vehicles vol17](#) - Mar 10 2023

web teikoku piston ring co ltd piston piston ring teikoku pistonring ltd nagano plant 16949 2Ø2 g ring sorts sgs teikoku pistonring co ltd

car type product tpr no type engine model cc no cyl - Dec 07 2022

web here you ll find our most up to date piston ring offerings check back as we update our catalogs periodically if you re not able to find what you re looking for contact us to learn

piston ring tp catalogue pdf txt nippyfile - Oct 25 2021

tp al shamali auto parts - Sep 04 2022

web applications guide piston ring vehicle model engine type c c bore mm cyls position size h mm part no pcpr product code material surface treatment ring

piston catalogue pdf scribd - Apr 30 2022

web ps top compression rings and upper oil control rings chrome plated others tp piston ring sets are available in standard std size and the following tpr catalogue

nippon piston ring co ltd security check - Nov 06 2022

web tp rings is one of the major manufacturers of piston rings and liners in japan and we are one among the suppliers of tp products which has a very high demand in global market

602 0326h indd 1 3 2016 03 25 17 34 tm asia com ua - Feb 09 2023

web toyota tpr piston ring 35932 3fac 4y new 2208 4 13011 73032 toyota tpr piston ring 35862 2fac l new 2188 4 13011 35071 toyota tpr piston ring

tpr piston rings catalogue for japanese vehicles vol16 doku - Apr 11 2023

web tp piston ring sets are available in standard std size and the following oversizes inch std 010 020 030 040 mm std 0 25 0 50 0 75 1 00 example our set no type

tpr piston rings catalogue for japanese vehicles - Jun 13 2023

web download view tpr piston rings catalogue for japanese vehicles vol16 кольца поршневые tp vol16 as pdf for free

catalogs cross reference piston rings manufacturer made - Oct 05 2022

web npr s unrivaled piston rings and pistons will satisfy the needs of today s higher performance engine all piston rings and pistons listed in this catalog are the results

tp piston ring taiwantrade com - Sep 23 2021**advanced grammar in use with answers martin hewings** - May 12 2023

web martin hewings reference and practice book for advanced learners of english cambridge university press cambridge new york melbourne madrid cape

advanced english grammar by martin hewings abebooks - Jun 01 2022

web he was co editor of the journal english for specific purposes from 2001 to 2006 and has published a number of textbooks with cambridge university press including advanced

pdf grammar and vocabulary for advanced download - Nov 25 2021

web jul 4 2020 advanced grammar in use with answers a self study reference and practice book for advanced learners of english by martin hewings z lib org free

advanced grammar in use with answers martin hewings - Feb 09 2023

web mar 7 2013 martin hewings cambridge university press mar 7 2013 foreign language study 303 pages a fully updated version of the highly successful grammar

advanced english grammar with answers hewings amazon in - Apr 30 2022

web this book explains the grammar rules explains confusing and seemingly contradictory rules defines the different concepts and also provides exercises for practice as it is for

advanced grammar in use cambridge university press - Apr 11 2023

web advanced grammar in use advancedgrammar in use self study reference and practice book for advanced learners of english third edition with answers and cd rom martin

advanced english grammar by martin hewings goodreads - Oct 05 2022

web mar 7 2013 grammar in use is the world s best selling grammar series for learners of english this third edition without

answers is perfect for reinforcement work in the
[advanced english grammar with answers](#) - Jun 13 2023

web this new edition contains 100 units of grammar reference and practice materials including seven completely new units
 includes 1 new additional exercises appendices and

advanced english grammar with answers martin - Feb 26 2022

web grammar and vocabulary reference and practice for the revised cambridge english advanced cae from 2015 cambridge
 grammar and vocabulary for advanced

advanced grammar in use cambridge university - Mar 10 2023

web mar 3 2005 martin hewings cambridge university press mar 3 2005 foreign language study 294 pages a fully updated
 version of the highly successful grammar

advanced grammar in use martin hewings archive org - Aug 15 2023

web following on from the hugely successful beginner and intermediate level grammar in use books by raymond murphy the
 advanced level has been authored by language and

[advanced grammar in use with answers a self study](#) - Nov 06 2022

web apr 28 1999 advanced english grammar martin hewings 4 18 725 ratings 33 reviews advanced grammar in use contains
 120 units of grammar explanation and practice

[advanced grammar in use with answers google books](#) - Jan 08 2023

web advanced grammar in use third edition the world's best selling grammar series for learners of english a reference and
 practice book for learners of english at advanced

martin hewings cambridge university press - Mar 30 2022

web a self study reference and practice book for advanced learners of english advanced grammar in use contains 120 units of
 grammar explanation and practice exercises the

grammar and vocabulary for advanced martin hewings - Dec 27 2021

web martin hewings c a m b r i d g e u n i v e r s i t y p r e s s cambridge new york melbourne madrid cape town singapore
 são paulo delhi mexico city cambridge

[advanced grammar in use with answers a self study](#) - Sep 23 2021

advanced english grammar hewings martin amazon com au - Aug 03 2022

web advanced grammar in use a self study reference and practice book for advanced learners of english by hewings martin
 and a great selection of related books art and

[advanced grammar in use book without answers google books](#) - Sep 04 2022

web advanced english grammar is a single volume book that combines source grammar and practice exercises while explaining the rules of grammar and tackling seemingly

advanced grammar in use cambridge university press - Oct 25 2021

advanced grammar in use third edition grammar vocabulary - Dec 07 2022

web advanced grammar in use with answers authored by martin hewings is the first choice for advanced c1 c2 learners of english it is a self study book with clear explanations

advanced grammar in use martin hewings alleng org - Jan 28 2022

web aug 22 2022 brief summary of book grammar and vocabulary for advanced by martin hewings here is a quick description and cover image of book grammar and

advanced grammar in use third edition grammar cambridge - Jul 14 2023

web dec 1 2007 the book focuses on many topics like grammatical patterns grammatical contrasts and many more it explores grammatical patterns like will be ing like will be

advanced grammar in use with answers hewings - Jul 02 2022

web advanced english grammar is a single volume book that combines source grammar and practice exercises while explaining the rules of grammar and tackling seemingly