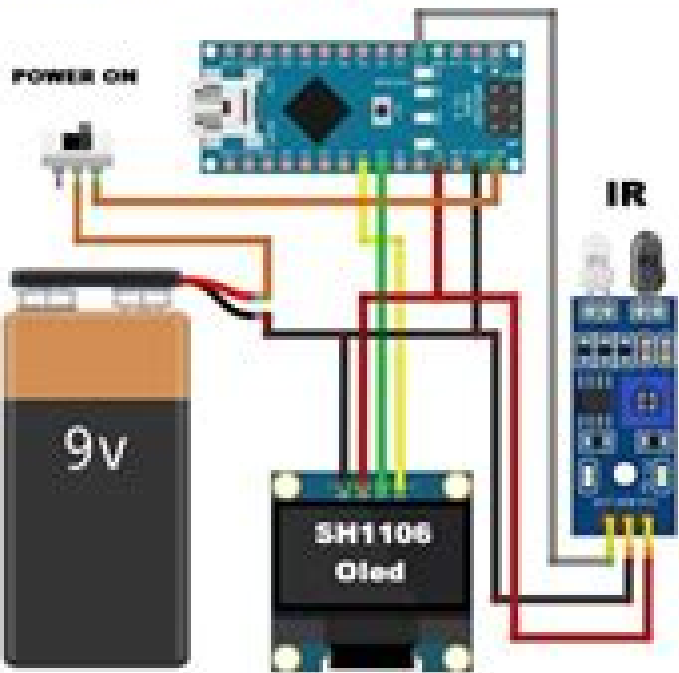


# Arduino RPM Meter

mircenk  
RPM METER



# Rpm Meter Project Paper

**Xiang Xie**



## Rpm Meter Project Paper:

**ASME Technical Papers** ,2001 Pulp & Paper International ,1962 **IEEE Proceedings of the Southeastcon** ,1991 Annual Index/abstracts of SAE Technical Papers ,1997 Paper Trade Journal ,1965 Technical progress in shipbuilding and marine engineering in Japan ,1975 **Popular Science** ,1920-08 Popular Science gives our readers the information and tools to improve their technology and their world The core belief that Popular Science and our readers share The future is going to be better and science and technology are the driving forces that will help make it better **Pulp & Paper** ,1965 **Selected Meteorological Papers** ,1962 **Papers and Addresses Presented at the Annual Meeting of the Technical Association of the Pulp and Paper Industry** ,1978 **2024-25 RRB ALP Mechanic Motors Vehicle Solved Papers** YCT Expert Team , 2024 25 RRB ALP Mechanic Motors Vehicle Solved Papers Solar Energy Update ,1981-04 **Drilling and Management of Drilling Projects** ,1981 Mechanic Diesel Solved Papers YCT Expert Team , 2023 24 RRB ALP Mechanic Diesel Solved Papers 11th US/North American Mine Ventilation Symposium 2006 Jan M. Mutmansky,Raja. V. Ramani,2006-05-18 This volume is the eleventh in a series which documents the technical papers of the mine ventilation symposium which was initiated in 1982 by the Underground Ventilation Committee of the Society for Mining Metallurgy and Exploration Inc In more recent years the event has expanded to include all of North America and is known as the US North Am **Pumped Storage, a Bibliography, 1961-1970** United States. Bonneville Power Administration,John S. Schimmelbusch,1971 Aeronautical Engineering ,1991 **North American Tunneling: 2014 Proceedings** Davidson, Gregg,Howard, Alan,Jacobs, Lonnie,Pintabona, Robert,Zernich, Brett,2014-06-17 The North American Tunneling Conference is the premier forum to discuss new trends and developments in underground construction in North America With every conference the number of attendees and breadth of topics grows North American Tunneling 2014 Proceedings reflects the theme for the 2014 conference Mission Possible The authors share new theories novel innovations and the latest tools that make what once may have been perceived as impossible now possible The authors of 128 papers share the latest case histories expertise lessons learned and real world applications from around the globe on a wide range of topics They cover the successes and failures of challenging construction projects Read about challenging design issues fresh approaches on performance future projects and industry trends as well as ground movement and support structure analysis risk and cost management rock tunnels caverns and shafts TBM technology and selection and water and wastewater conveyance

**Confidential Documents** United States. Army Air Forces,1935 GATE Mechanical Engineering Exam Prep Book | 10 Full-length Mock Tests + 6 Previous Year Papers EduGorilla Prep Experts,2022-08-03 Best Selling Book for GATE Mechanical Engineering Exam with objective type questions as per the latest syllabus Compare your performance with other students using Smart Answer Sheets in EduGorilla s GATE Mechanical Engineering Exam Practice Kit GATE Mechanical Engineering Exam Preparation Kit comes with 16 Tests 10 Mock Tests 6 Previous Year Papers with the best quality content Increase your

chances of selection by 14X GATE Mechanical Engineering Exam Prep Kit comes with well structured and 100% detailed solutions for all the questions Clear exam with good grades using thoroughly Researched Content by experts

## Whispering the Techniques of Language: An Psychological Quest through **Rpm Meter Project Paper**

In a digitally-driven world wherever displays reign supreme and quick connection drowns out the subtleties of language, the profound strategies and mental subtleties concealed within phrases frequently go unheard. However, situated within the pages of **Rpm Meter Project Paper** a interesting literary prize sporting with organic emotions, lies an extraordinary journey waiting to be undertaken. Written by a skilled wordsmith, that marvelous opus invites readers on an introspective journey, lightly unraveling the veiled truths and profound impact resonating within the cloth of each and every word. Within the mental depths of this poignant evaluation, we will embark upon a sincere exploration of the book is key styles, dissect their charming writing fashion, and yield to the powerful resonance it evokes heavy within the recesses of readers hearts.

<https://crm.avenza.com/public/publication/default.aspx/parallel%20circuit%20diagram%204th%20grade.pdf>

### **Table of Contents Rpm Meter Project Paper**

1. Understanding the eBook Rpm Meter Project Paper
  - The Rise of Digital Reading Rpm Meter Project Paper
  - Advantages of eBooks Over Traditional Books
2. Identifying Rpm Meter Project Paper
  - Exploring Different Genres
  - Considering Fiction vs. Non-Fiction
  - Determining Your Reading Goals
3. Choosing the Right eBook Platform
  - Popular eBook Platforms
  - Features to Look for in an Rpm Meter Project Paper
  - User-Friendly Interface
4. Exploring eBook Recommendations from Rpm Meter Project Paper
  - Personalized Recommendations
  - Rpm Meter Project Paper User Reviews and Ratings

- Rpm Meter Project Paper and Bestseller Lists
- 5. Accessing Rpm Meter Project Paper Free and Paid eBooks
  - Rpm Meter Project Paper Public Domain eBooks
  - Rpm Meter Project Paper eBook Subscription Services
  - Rpm Meter Project Paper Budget-Friendly Options
- 6. Navigating Rpm Meter Project Paper eBook Formats
  - ePub, PDF, MOBI, and More
  - Rpm Meter Project Paper Compatibility with Devices
  - Rpm Meter Project Paper Enhanced eBook Features
- 7. Enhancing Your Reading Experience
  - Adjustable Fonts and Text Sizes of Rpm Meter Project Paper
  - Highlighting and Note-Taking Rpm Meter Project Paper
  - Interactive Elements Rpm Meter Project Paper
- 8. Staying Engaged with Rpm Meter Project Paper
  - Joining Online Reading Communities
  - Participating in Virtual Book Clubs
  - Following Authors and Publishers Rpm Meter Project Paper
- 9. Balancing eBooks and Physical Books Rpm Meter Project Paper
  - Benefits of a Digital Library
  - Creating a Diverse Reading Collection Rpm Meter Project Paper
- 10. Overcoming Reading Challenges
  - Dealing with Digital Eye Strain
  - Minimizing Distractions
  - Managing Screen Time
- 11. Cultivating a Reading Routine Rpm Meter Project Paper
  - Setting Reading Goals Rpm Meter Project Paper
  - Carving Out Dedicated Reading Time
- 12. Sourcing Reliable Information of Rpm Meter Project Paper
  - Fact-Checking eBook Content of Rpm Meter Project Paper
  - Distinguishing Credible Sources

13. Promoting Lifelong Learning
  - Utilizing eBooks for Skill Development
  - Exploring Educational eBooks
14. Embracing eBook Trends
  - Integration of Multimedia Elements
  - Interactive and Gamified eBooks

### **Rpm Meter Project Paper Introduction**

In the digital age, access to information has become easier than ever before. The ability to download Rpm Meter Project Paper has revolutionized the way we consume written content. Whether you are a student looking for course material, an avid reader searching for your next favorite book, or a professional seeking research papers, the option to download Rpm Meter Project Paper has opened up a world of possibilities. Downloading Rpm Meter Project Paper provides numerous advantages over physical copies of books and documents. Firstly, it is incredibly convenient. Gone are the days of carrying around heavy textbooks or bulky folders filled with papers. With the click of a button, you can gain immediate access to valuable resources on any device. This convenience allows for efficient studying, researching, and reading on the go. Moreover, the cost-effective nature of downloading Rpm Meter Project Paper has democratized knowledge. Traditional books and academic journals can be expensive, making it difficult for individuals with limited financial resources to access information. By offering free PDF downloads, publishers and authors are enabling a wider audience to benefit from their work. This inclusivity promotes equal opportunities for learning and personal growth. There are numerous websites and platforms where individuals can download Rpm Meter Project Paper. These websites range from academic databases offering research papers and journals to online libraries with an expansive collection of books from various genres. Many authors and publishers also upload their work to specific websites, granting readers access to their content without any charge. These platforms not only provide access to existing literature but also serve as an excellent platform for undiscovered authors to share their work with the world. However, it is essential to be cautious while downloading Rpm Meter Project Paper. Some websites may offer pirated or illegally obtained copies of copyrighted material. Engaging in such activities not only violates copyright laws but also undermines the efforts of authors, publishers, and researchers. To ensure ethical downloading, it is advisable to utilize reputable websites that prioritize the legal distribution of content. When downloading Rpm Meter Project Paper, users should also consider the potential security risks associated with online platforms. Malicious actors may exploit vulnerabilities in unprotected websites to distribute malware or steal personal information. To protect themselves, individuals should ensure their devices have reliable antivirus software installed and validate the legitimacy of the websites

they are downloading from. In conclusion, the ability to download Rpm Meter Project Paper has transformed the way we access information. With the convenience, cost-effectiveness, and accessibility it offers, free PDF downloads have become a popular choice for students, researchers, and book lovers worldwide. However, it is crucial to engage in ethical downloading practices and prioritize personal security when utilizing online platforms. By doing so, individuals can make the most of the vast array of free PDF resources available and embark on a journey of continuous learning and intellectual growth.

### **FAQs About Rpm Meter Project Paper Books**

How do I know which eBook platform is the best for me? Finding the best eBook platform depends on your reading preferences and device compatibility. Research different platforms, read user reviews, and explore their features before making a choice. Are free eBooks of good quality? Yes, many reputable platforms offer high-quality free eBooks, including classics and public domain works. However, make sure to verify the source to ensure the eBook credibility. Can I read eBooks without an eReader? Absolutely! Most eBook platforms offer web-based readers or mobile apps that allow you to read eBooks on your computer, tablet, or smartphone. How do I avoid digital eye strain while reading eBooks? To prevent digital eye strain, take regular breaks, adjust the font size and background color, and ensure proper lighting while reading eBooks. What the advantage of interactive eBooks? Interactive eBooks incorporate multimedia elements, quizzes, and activities, enhancing the reader engagement and providing a more immersive learning experience. Rpm Meter Project Paper is one of the best book in our library for free trial. We provide copy of Rpm Meter Project Paper in digital format, so the resources that you find are reliable. There are also many Ebooks of related with Rpm Meter Project Paper. Where to download Rpm Meter Project Paper online for free? Are you looking for Rpm Meter Project Paper PDF? This is definitely going to save you time and cash in something you should think about.

### **Find Rpm Meter Project Paper :**

**parallel circuit diagram 4th grade**

[parts manual 1974 suzuki](#)

~~[paroles deacuteducateurs de preacutervention speacutecialiseacuttee](#)~~

[parviz moin solution manual](#)

**parts manual 1988 softail**

[passat cc 2009 owners manual](#)



passat service light reset 2006

**passion and income ways to build business out of passion**

*parts of speech test with answer key*

parenthetical documentation guidelines

*parkinson s common threads a comparative survey*

**parts manual 2010 bearcat 570 lt**

parking enforcement officer exam

**part exploring gene therapy answers**

paso robles winery guide

### **Rpm Meter Project Paper :**

Discovering French Nouveau (Unit 1 Resource Book, Bleu 1) Book details · Print length. 197 pages · Language. English · Publisher. McDougal Littell · Publication date. January 1, 2001 · ISBN-10. 0618298266 · ISBN-13. 978- ... Discovering French Nouveau! Bleu 1 Unit 1 Resource ... Discovering French Nouveau! Bleu 1 Unit 1 Resource Book (P) · ISBN# 0618298266 · Shipping Weight: 1.4 lbs · 1 Units in Stock · Published by: McDougal Littell. discovering french nouveau bleu - Books Discovering French Nouveau!: Bleu 1b Deuxieme Partie (French Edition) by Valette, Jean-Paul and a great selection of related books, art and collectibles ... McDougal Littell Discovering French Nouveau: Resource ... 9780618298266: Discovering French Nouveau (Unit 1 Resource Book, Bleu 1). Featured Edition. ISBN 10: ISBN 13: 9780618298266. Publisher: McDougal Littell, 2001 Unit 3 Resource Book Bleu 1 (Discovering French Nouveau!) Notes, underlining, highlighting, or library markings that do not obscure the text. Accessories such as CD, codes, and dust jackets not included. Good: All ... UNIT 3 RESOURCE BOOK BLEU 1 (DISCOVERING ... UNIT 3 RESOURCE BOOK BLEU 1 (DISCOVERING FRENCH NOUVEAU!) By Valette \*Excellent\*. Be the first to write a review. davit-1042 66.7% Positive feedback. Discovering french bleu nouveau unit 1 French 1 curriculum map Discovering French Bleu nouveau ... TPT is the largest marketplace for PreK-12 resources, powered by a community of ... Discovering French Nouveau (Unit 6 Resource Book Bleu ... Discovering French Nouveau (Unit 6 Resource Book Bleu 1) by Valette is available now for quick shipment to any U.S. location! This book is in good condition ... Discovering French, Nouveau!: Bleu 1 - 1st Edition Our resource for Discovering French, Nouveau!: Bleu 1 includes answers to chapter exercises, as well as detailed information to walk you through the process ... Unit 3 Resource Book Bleu 1 (Discovering French Nouveau!) May 1, 2023 — Notes. Cut-off text on some pages due to tight binding. Access-restricted-item: true. Addeddate: 2023-05-05 00:29:54. The Unfinished Revolution: Philip Gould In May 1997, the Conservatives were ejected from British office after 18 years in power, and the Labour Party which replaced them had itself

---

changed ... How the Modernisers Saved the Labour Party by Philip Gould Written in 1999, the title has become ironic over time - Blair's revolution remained unfinished, as the promise of his program was compromised by Iraq and ... The Unfinished Revolution: How New Labour... by Gould ... In May 1997, the Conservatives were ejected from British office after 18 years in power, and the Labour Party which replaced them had itself changed irrevocably ... How the Modernisers Saved the Labour Party - Philip Gould The Unfinished Revolution: How the Modernisers Saved the Labour Party ... On 1 May 1997, an event regarded by many as a sea-change occurred in British politics. The Unfinished Revolution: How the Modernisers Saved ... The Unfinished Revolution: How the Modernisers Saved the Labour Party - Softcover ; Publisher: Little, Brown Book Group, 1999 ; Buy Used Condition: Very Good How the Modernisers Saved the Labour Party - Philip Gould Philip Gould is a political strategist and polling adviser who has worked with the Labour leadership since the 1980s. In this book he describes its rise and ... The Unfinished Revolution by Philip Gould The Unfinished Revolution is the definitive story of New Labour from its genesis to its election defeat 2010 - covering over 25 years and six general ... how the modernisers saved the Labour Party / Philip Gould ... The unfinished revolution : how the modernisers saved the Labour Party / Philip Gould. Request Order a copy. Bib ID: 2206389; Format: Book; Author: Gould ... The unfinished revolution : how the modernisers saved ... Nov 27, 2020 — The unfinished revolution : how the modernisers saved the Labour Party. by: Gould, Philip, 1950-2011. Publication date: 1999. Topics: Labour ... How the Modernisers Sav... by Gould, Philip Paperback ... The Unfinished Revolution: How the Modernisers Saved the Labour Party. Book Binding:Paperback / softback. Author:Gould, Philip. We all like the idea of saving ... The Synthesis Effect: Your Direct Path... by McGrail, John The Synthesis Effect provides simple, powerful, and clinically proven techniques for creating personal change and transformation while outlining a realistic ... The Synthesis Effect: Your Direct Path to Personal Power ... The Synthesis Effect provides simple, powerful, and clinically proven techniques for creating personal change and transformation while outlining a realistic ... The Synthesis Effect: Your Direct Path to Personal Power ... The Synthesis Effect provides simple, powerful, and clinically proven techniques for creating personal change and transformation while outlining a realistic ... The Synthesis Effect (Your Direct Path to Personal Power ... The Synthesis Effect provides simple, powerful, and clinically proven techniques for creating personal change and transformation while outlining a realistic ... The Synthesis Effect: Your Direct Path to Personal Power ... The Synthesis Effect provides simple, powerful, and clinically proven techniques for creating personal change and transformation while outlining a realistic ... Shop The Synthesis Effect - Your Direct Path to Personal Power and Transformation. \$12.48 · Winning the Weighting Game Hypnosis for a Leaner Lighter You! \$89.00. The Synthesis Effect: Your Direct Path... book by John ... Cover for "The Synthesis Effect: Your Direct Path to Personal Power and Transformation" ... The Synthesis Effect: Your Direct Path to... by John McGrail. \$13.65 ... The Synthesis Effect - Your Direct Path to Personal Power ... Dr. John McGrail answers with an emphatic: "No. Anyone and everyone can create the life of their dreams." In The Synthesis Effect he shows you how. The

Synthesis Effect Book by John McGrail Order The Synthesis Effect by John McGrail from Red Wheel/Weiser, your online bookstore for occult, spirituality, and personal growth books. The Synthesis Effect: Your Direct Path to Personal Power ... Jan 1, 2012 — "The Synthesis Effect" provides simple, powerful, and clinically proven techniques for creating personal change and transformation while ...