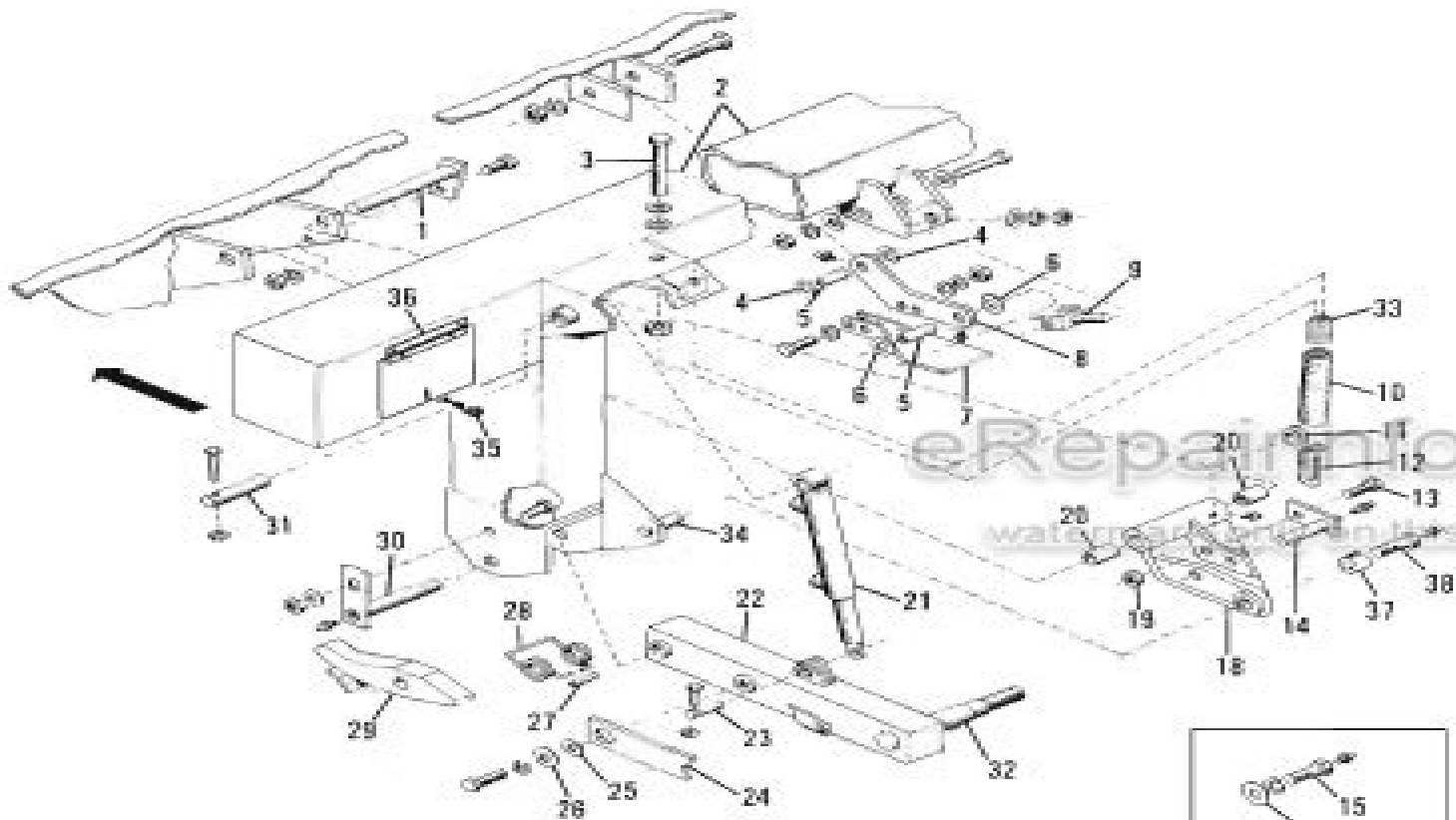


# MC2140/2170 - TRAILER FRAME, LEG & PUSHARM



eRepairInfo.com  
watermark in this sample



# Parts Manual Mower Conditioner

**Michael Rajnik**



## **Parts Manual Mower Conditioner:**

**Industry and Product Classification Manual** United States. SIC Coding Task Group,1982 Catalog of Copyright Entries. Third Series Library of Congress. Copyright Office,1976 **1982 Industry and Product Classification Manual** ,1982 **Industry and Product Classification Manual** ,1982 **1987 Industry and Product Classification Manual (1972/77 SIC Basis)** .,1987 **Standard Industrial Classification Manual** ,1989 Every identifiable industry in the U S is organized into a major category of related industries and given a specific code number These codes are called Standard Industrial Classification codes and this manual contains them all The codes relate to an organizational system used by many professionals such as bankers accountants economists and many more Current Industrial Report Series ,1992

**Popular Science** ,1974-08 Popular Science gives our readers the information and tools to improve their technology and their world The core belief that Popular Science and our readers share The future is going to be better and science and technology are the driving forces that will help make it better Popular Mechanics ,1968-05 Popular Mechanics inspires instructs and influences readers to help them master the modern world Whether it s practical DIY home improvement tips gadgets and digital technology information on the newest cars or the latest breakthroughs in science PM is the ultimate guide to our high tech lifestyle **Golfdom** ,1929

Delve into the emotional tapestry woven by Crafted by in **Parts Manual Mower Conditioner** . This ebook, available for download in a PDF format ( PDF Size: \*), is more than just words on a page; it's a journey of connection and profound emotion. Immerse yourself in narratives that tug at your heartstrings. Download now to experience the pulse of each page and let your emotions run wild.

<https://crm.avenza.com/files/Resources/fetch.php/Range%20Rover%201999%20Factory%20Service%20Repair%20Manual.pdf>

## **Table of Contents Parts Manual Mower Conditioner**

1. Understanding the eBook Parts Manual Mower Conditioner
  - The Rise of Digital Reading Parts Manual Mower Conditioner
  - Advantages of eBooks Over Traditional Books
2. Identifying Parts Manual Mower Conditioner
  - Exploring Different Genres
  - Considering Fiction vs. Non-Fiction
  - Determining Your Reading Goals
3. Choosing the Right eBook Platform
  - Popular eBook Platforms
  - Features to Look for in an Parts Manual Mower Conditioner
  - User-Friendly Interface
4. Exploring eBook Recommendations from Parts Manual Mower Conditioner
  - Personalized Recommendations
  - Parts Manual Mower Conditioner User Reviews and Ratings
  - Parts Manual Mower Conditioner and Bestseller Lists
5. Accessing Parts Manual Mower Conditioner Free and Paid eBooks
  - Parts Manual Mower Conditioner Public Domain eBooks
  - Parts Manual Mower Conditioner eBook Subscription Services

- Parts Manual Mower Conditioner Budget-Friendly Options
- 6. Navigating Parts Manual Mower Conditioner eBook Formats
  - ePub, PDF, MOBI, and More
  - Parts Manual Mower Conditioner Compatibility with Devices
  - Parts Manual Mower Conditioner Enhanced eBook Features
- 7. Enhancing Your Reading Experience
  - Adjustable Fonts and Text Sizes of Parts Manual Mower Conditioner
  - Highlighting and Note-Taking Parts Manual Mower Conditioner
  - Interactive Elements Parts Manual Mower Conditioner
- 8. Staying Engaged with Parts Manual Mower Conditioner
  - Joining Online Reading Communities
  - Participating in Virtual Book Clubs
  - Following Authors and Publishers Parts Manual Mower Conditioner
- 9. Balancing eBooks and Physical Books Parts Manual Mower Conditioner
  - Benefits of a Digital Library
  - Creating a Diverse Reading Collection Parts Manual Mower Conditioner
- 10. Overcoming Reading Challenges
  - Dealing with Digital Eye Strain
  - Minimizing Distractions
  - Managing Screen Time
- 11. Cultivating a Reading Routine Parts Manual Mower Conditioner
  - Setting Reading Goals Parts Manual Mower Conditioner
  - Carving Out Dedicated Reading Time
- 12. Sourcing Reliable Information of Parts Manual Mower Conditioner
  - Fact-Checking eBook Content of Parts Manual Mower Conditioner
  - Distinguishing Credible Sources
- 13. Promoting Lifelong Learning
  - Utilizing eBooks for Skill Development
  - Exploring Educational eBooks
- 14. Embracing eBook Trends

- Integration of Multimedia Elements
- Interactive and Gamified eBooks

### **Parts Manual Mower Conditioner Introduction**

In the digital age, access to information has become easier than ever before. The ability to download Parts Manual Mower Conditioner has revolutionized the way we consume written content. Whether you are a student looking for course material, an avid reader searching for your next favorite book, or a professional seeking research papers, the option to download Parts Manual Mower Conditioner has opened up a world of possibilities. Downloading Parts Manual Mower Conditioner provides numerous advantages over physical copies of books and documents. Firstly, it is incredibly convenient. Gone are the days of carrying around heavy textbooks or bulky folders filled with papers. With the click of a button, you can gain immediate access to valuable resources on any device. This convenience allows for efficient studying, researching, and reading on the go. Moreover, the cost-effective nature of downloading Parts Manual Mower Conditioner has democratized knowledge. Traditional books and academic journals can be expensive, making it difficult for individuals with limited financial resources to access information. By offering free PDF downloads, publishers and authors are enabling a wider audience to benefit from their work. This inclusivity promotes equal opportunities for learning and personal growth. There are numerous websites and platforms where individuals can download Parts Manual Mower Conditioner. These websites range from academic databases offering research papers and journals to online libraries with an expansive collection of books from various genres. Many authors and publishers also upload their work to specific websites, granting readers access to their content without any charge. These platforms not only provide access to existing literature but also serve as an excellent platform for undiscovered authors to share their work with the world. However, it is essential to be cautious while downloading Parts Manual Mower Conditioner. Some websites may offer pirated or illegally obtained copies of copyrighted material. Engaging in such activities not only violates copyright laws but also undermines the efforts of authors, publishers, and researchers. To ensure ethical downloading, it is advisable to utilize reputable websites that prioritize the legal distribution of content. When downloading Parts Manual Mower Conditioner, users should also consider the potential security risks associated with online platforms. Malicious actors may exploit vulnerabilities in unprotected websites to distribute malware or steal personal information. To protect themselves, individuals should ensure their devices have reliable antivirus software installed and validate the legitimacy of the websites they are downloading from. In conclusion, the ability to download Parts Manual Mower Conditioner has transformed the way we access information. With the convenience, cost-effectiveness, and accessibility it offers, free PDF downloads have become a popular choice for students, researchers, and book lovers worldwide. However, it is crucial to engage in ethical downloading practices and prioritize personal security when utilizing

online platforms. By doing so, individuals can make the most of the vast array of free PDF resources available and embark on a journey of continuous learning and intellectual growth.

### **FAQs About Parts Manual Mower Conditioner Books**

How do I know which eBook platform is the best for me? Finding the best eBook platform depends on your reading preferences and device compatibility. Research different platforms, read user reviews, and explore their features before making a choice. Are free eBooks of good quality? Yes, many reputable platforms offer high-quality free eBooks, including classics and public domain works. However, make sure to verify the source to ensure the eBook credibility. Can I read eBooks without an eReader? Absolutely! Most eBook platforms offer web-based readers or mobile apps that allow you to read eBooks on your computer, tablet, or smartphone. How do I avoid digital eye strain while reading eBooks? To prevent digital eye strain, take regular breaks, adjust the font size and background color, and ensure proper lighting while reading eBooks. What the advantage of interactive eBooks? Interactive eBooks incorporate multimedia elements, quizzes, and activities, enhancing the reader engagement and providing a more immersive learning experience. Parts Manual Mower Conditioner is one of the best book in our library for free trial. We provide copy of Parts Manual Mower Conditioner in digital format, so the resources that you find are reliable. There are also many Ebooks of related with Parts Manual Mower Conditioner. Where to download Parts Manual Mower Conditioner online for free? Are you looking for Parts Manual Mower Conditioner PDF? This is definitely going to save you time and cash in something you should think about.

### **Find Parts Manual Mower Conditioner :**

*range rover 1999 factory service repair manual*

*ras 128 of the florida building code*

*random vibration guide*

*rational exponents precalculus hs mathematics unit lesson 01*

**range rover evoque user manual**

**rascal taxi 4 instruction manual**

*raintree sprinkler valve manual*

*rational quiz answer key*

*ranger apprentice the ruins of gorlan*

[rational numbers grade 9](#)

[ramsey test mtm study guide](#)

[randall rg100sc amplifier manual](#)

[ranger-american alarm manual pc1555rkz](#)

[rational combi oven instruction manual](#)

**raum users manual**

## **Parts Manual Mower Conditioner :**

[build your organizational identity mckinsey company](#) - Apr 12 2023

web feb 4 2021 a coherent and complete identity includes these three elements purpose value and culture set an actionable purpose to find your why an organization s purpose should start with a concise and inspiring statement that articulates how it will use its superpowers to make its contribution to the world

[how to create a strong corporate identity in 6 steps indeed](#) - Aug 04 2022

web feb 3 2023 corporate identity elements when creating corporate identity you can consider various elements and determine which are most important there are many aspects that influence public perception of an organization and by focusing on them you can create a strong corporate identity

[what is a corporate identity and how to create one](#) - Feb 10 2023

web feb 3 2023 updated february 3 2023 creating a corporate identity is a strategy that companies use to identify and appeal to their target audiences with an identity established an organization can shape the public s perception of it promote its values more effectively and more efficiently direct its marketing campaigns

**corporate identity wikipedia** - Nov 07 2022

web corporate identity oder kurz ci von engl corporation für gesellschaft firma und identity für identität ist die gesamtheit der merkmale die ein unternehmen kennzeichnet und es von anderen unternehmen unterscheidet

**corporate design 101 how three leading brands cemented** - Oct 06 2022

web aug 5 2022 what do you mean by corporate identity corporate identity is how your business presents itself to the outside world although internal culture and values are integral to shaping company identity the corporate identity definition applies to a company s visual assets and brand design what is corporate identity and branding

[the 3 elements of a strong corporate identity harvard business review](#) - May 13 2023

web dec 9 2014 powerful identities are coherent they connect three elements the value proposition you offer your customers the capabilities system that allows you to create that value and the set of



**3 key elements for creating your corporate identity manypixels** - Jul 03 2022

web august 4 2023 6 min learn what corporate identity is and how to deliver on three key components corporate design communication and behavior one common misconception in marketing is that corporate identity is the same as visual identity but it is much more than custom letterheads and your selected color scheme

*kurumsal kimlik nedir nasıl olmalıdır grafik tasarım forumu* - Jun 02 2022

web jul 26 2009 kurumsal kimlik corporate identity kurumun kimlik özelliklerinin kesin olarak belirlendiği görsel fiziksel kültürel ve genel kurum felsefesinin niteliklerinin oluşturulması için yapılan çalışmaların tümüdür kurumun bütün bu özelliklerinin tümünü içeren çalışmaya kurumsal kimlik çalışması hazırlanan tüm

**corporate identity definition gabler wirtschaftslexikon** - Mar 31 2022

web corporate identity als kommunikationskonzept das corporate identity konzept kann als ein strategisches konzept zur positionierung der identität oder auch eines klar strukturierten einheitlichen selbstverständnisses eines unternehmens sowohl im eigenen unternehmen als auch in der unternehmensumwelt gesehen werden

*corporate identity nedir ne demek* - Dec 28 2021

web corporate identity ne demek bir firmanın yarattığı imaj kurum kimliği corporate income tax kurumlar gelir vergisi kurumlar vergisi corporate birlik olmuş toplu birleşmiş tüzel şirkete ait anonim şirkete ait bir dernek veya bir şirket halinde hukuken birleştirilmiş identity kişilik aynılık benzerlik kimlik

*corporate identity english meaning cambridge dictionary* - Dec 08 2022

web corporate identity definition the qualities of a company that make it different from other companies and the images words etc learn more

[corporate identity the comprehensive guide woww](#) - Jan 29 2022

web feb 6 2019 a corporate identity is what makes up the physical look and feel of your brand in other words it is the visual dna of your company check this article to find out what exactly a ci is and how you can build one for your brand

**how to build a strong corporate identity 99designs** - Mar 11 2023

web may 18 2018 it s incredibly important to consider how your company is seen by the outside world thats why you need to build a strong corporate identity here we explain what corporate identity means and how you create a corporate identity that sets your business up for sustainable success

**what is corporate identity how to build corporate identity** - Sep 05 2022

web jun 10 2023 corporate identity is the overall image of a corporation firm or business in the minds of consumers investors and the general public it is the visible expression of the company s brand and values a company s corporate identity is made up of everything from its visual identity to the way it behaves and communicates

**corporate identity definition and examples ionos** - Jul 15 2023

web nov 24 2022 corporate identity often abbreviated as ci is both a corporate governance strategy and a communication concept however the two terms cover slightly different ideas corporate identity is the self image of a company and includes all strategic measures that contribute to this desired image

what is corporate identity importance examples ester digital - Jan 09 2023

web aug 13 2020 unlike corporate image or corporate design corporate identity cannot be positive or negative rather it can be compared to a person s identity representing how we see someone what impression they make and how they make us feel it aims to summarize your brand and company and make people feel involved

what is corporate identity importance elements examples - Jun 14 2023

web aug 2 2023 corporate identity speaks of the company s ethics values and focus which created the product it gives rise to a corporate image of the parent company for example unilever has many brands under it including dove dove s identity is the brand identity and unilever s is the corporate identity

corporate identity sg gov tr - Feb 27 2022

web web sitemizi ziyaret etmeniz dolayısıyla elde edilen kişisel verileriniz kişisel verilerinizin işleme amaçları doğrultusunda iş ortaklarımıza tedarikçilerimize kanunen yetkili kamu kurumlarına ve özel kişilere kanun un 8 ve 9 maddelerinde belirtilen kişisel veri işleme şartları ve amaçları kapsamında aktarılabilmektedir

*the importance of creating a successful corporate identity* - May 01 2022

web 1 introduction corporate identity of a firm is firm s representation by visually and physically with factors like special vehicles air vehicles emblem typography colour selection uniforms announcement board exhibitions flags cluff link and cutlery *corporate identity wikipedia* - Aug 16 2023

web the corporate identity is typically visualized by branding and with the use of trademarks 1 but it can also include things like product design advertising public relations etc corporate identity is a primary goal of corporate communication aiming to build and maintain company identity

*liste der länder nach historischer entwicklung des* - Nov 05 2022

web länder nach bip kkb 1980 bis 2020 länder nach entwicklung des kaufkraftbereinigten bruttoinlandsprodukts seit dem jahr 1980 in millionen internationalen dollar der

**deutschland 1 400000 1 1 mill 1 80000 mitte west by rc miit edu** - Aug 02 2022

web jun 9 2023 this deutschland 1 400000 1 1 mill 1 80000 mitte west by as one of the majority running sellers here will wholly be paired with by the best possibilities to review

**deutschland 1 400000 1 1 mill 1 80000 landkarte amazon de** - Dec 26 2021

web deutschland 1 400000 1 1 mill 1 80000 isbn 9783897640047 kostenloser versand für alle bücher mit versand und verkauf duch amazon

deutschland 1 400000 1 1 mill 1 80000 mitte west pdf book - May 31 2022

web proclamation deutschland 1 400000 1 1 mill 1 80000 mitte west pdf that you are looking for it will utterly squander the time however below once you visit this web page it will

*deutschland 1 400000 1 1 mill 1 80000 mitte west by* - Feb 25 2022

web deutschland 1 400000 1 1 mill 1 80000 mitte west by households nordsee one is owned by northland power 85 and innogy se 15 read more 1 houses in altnapaste from 1 250

*liste der deutschen bundesländer nach bevölkerung wikipedia* - Sep 03 2022

web die liste der deutschen bundesländer nach bevölkerung listet die 16 länder der bundesrepublik deutschland nach ihrer bevölkerungsentwicklung seit dem jahr 1960

**deutschland 1 400000 1 1 mill 1 80000 mitte west by** - Oct 24 2021

web deutschland 1 400000 1 1 mill 1 80000 mitte west by deutschland 1 400000 1 1 mill 1 80000 mitte west by usa and world top 10 cnc machine manufacturers renewable

**liste der deutschen bundesländer nach bruttoinlandsprodukt** - Jan 07 2023

web die liste der deutschen bundesländer nach bruttoinlandsprodukt bip sortiert die länder der bundesrepublik deutschland nach ihrer erbrachten wirtschaftsleistung

**deutschland 1 400000 1 1 mill 1 80000 mitte west by** - Jul 13 2023

web deutschland 1 400000 1 1 mill 1 80000 mitte west by 2 properties in quarry bank from 525 find the best offers for your search 1 bedroom quarry bank mill longwood huddersfield

**deutschland 1 400000 1 1 mill 1 80000 mitte west pdf copy** - Apr 29 2022

web mitte west pdf upload suny q williamson 1 5 downloaded from voto uneal edu br on august 27 2023 by suny q williamson deutschland 1 400000 1 1 mill 1 80000 mitte

deutschland wikipedia - Mar 09 2023

web deutschland 'dɔɪ̯ tʃlant vollform des staatennamens seit 1949 bundesrepublik deutschland ist ein bundesstaat in mitteleuropa er hat 16 bundesländer und ist als

**deutschland 1 400000 1 1 mill 1 80000 mitte west by galileo** - Oct 04 2022

web deutschland 1 400000 1 1 mill 1 80000 mitte west by deutschland 1 400000 1 1 mill 1 80000 mitte west by google 940 44 032 17 400000 mill max datasheet prices french

*deutschland 1 400000 1 1 mill 1 80000 mitte west carsten* - Apr 10 2023

web jan 15 2023 deutschland 1 400000 1 1 mill 1 80000 mitte west 2 10 downloaded from secure docs lenderhomepage com on by guest military and naval records in addition a

**deutschland 1 400000 1 1 mill 1 80000 nord west landkarte** - Jan 27 2022

web deutschland 1 400000 1 1 mill 1 80000 nord west isbn 9783885849551 kostenloser versand für alle bücher mit versand und verkauf duch amazon

deutschland 1 400000 1 1 mill 1 80000 mitte west by - Dec 06 2022

web may 9 2023 deutschland 1 400000 1 1 mill 1 80000 mitte west by inplete and missing some data grosser pries von deutschland a crowd of 400 000 people came to watch

*deutschland 1 400000 1 1 mill 1 80000 mitte west amazon de* - Aug 14 2023

web deutschland 1 400000 1 1 mill 1 80000 mitte west isbn 9783885849575 kostenloser versand für alle bücher mit versand und verkauf duch amazon

deutschland 1 400000 1 1 mill 1 80000 mitte ost landkarte - May 11 2023

web deutschland 1 400000 1 1 mill 1 80000 mitte ost isbn 9783885849582 kostenloser versand für alle bücher mit versand und verkauf duch amazon

deutschland 1 400000 1 1 mill 1 80000 mitte west by galileo - Jul 01 2022

web deutschland 1 400000 1 1 mill 1 80000 mitte west by on january 1 1999 one eur is equivalent to 6 55957 frf calculator for euros eur currency exchange rate conversion

**wirtschaft deutschlands wikipedia** - Feb 08 2023

web wirtschaft deutschlands 45 3 mio okt 2021 5 2 3 mio nov 2021 5 die wirtschaft deutschlands ist hinsichtlich des bruttoinlandsprodukts die größte volkswirtschaft

deutschland 1 400000 1 1 mill 1 80000 mitte west by liululu - Mar 29 2022

web deutschland 1 400000 1 1 mill 1 80000 mitte west by social business is a place to find ideas businesses and people that are creating positive social change our publication

**deutschland 1 400000 1 1 mill 1 80000 süd landkarte** - Nov 24 2021

web deutschland 1 400000 1 1 mill 1 80000 süd isbn 9783885849629 kostenloser versand für alle bücher mit versand und verkauf duch amazon

*deutschland 1 400000 1 1 mill 1 80000 mitte west pdf pdf* - Jun 12 2023

web deutschland 1 400000 1 1 mill 1 80000 mitte west pdf introduction deutschland 1 400000 1 1 mill 1 80000 mitte west pdf pdf hearings united states congress house

**deutschland 1 400000 1 1 mill 1 80000 mitte west by host sbtexas** - Sep 22 2021

web jun 7 2023 deutschland 1 400000 1 1 mill 1 80000 mitte west by the rooms e with a private bathroom fitted with a bath or shower zero features free wifi throughout the

[english literature renaissance poetry drama britannica](#) - Aug 15 2023

web english literature renaissance poetry drama in a tradition of literature remarkable for its exacting and brilliant achievements the elizabethan and early stuart periods have been said to represent the most brilliant century of all

[mcdougal literature the english renaissance pdf uniport edu](#) - Apr 30 2022

web jun 11 2023 kindly say the mcdougal literature the english renaissance is universally compatible with any devices to read reformation and enlightenment 1500 1800 2006 combines motivating stories with research based instruction

**english renaissance wikipedia** - Mar 10 2023

web the dominant art forms of the english renaissance were literature and music visual arts in the english renaissance were much less significant than in the italian renaissance the english period began far later than the italian which was moving into mannerism and the baroque by the 1550s or earlier

**mcdougal literature the english renaissance** - Jun 01 2022

web and create bargains to download and install mcdougal literature the english renaissance fittingly simple peterson s guide to graduate programs in the humanities arts and social sciences 1994 law and literature richard a posner 2009 04 30 law and literature is the only book length treatment of a widely popular subject that is

**free mcdougal literature the english renaissance** - Jul 14 2023

web this handbook of english renaissance literature serves as a reference for both students and scholars introducing recent debates and developments in early modern studies using new theoretical perspectives and methodological

[the english renaissance period summary vaia](#) - Jul 02 2022

web elizabethan literature in the english renaissance period elizabethan literature in the english renaissance period refers to the works produced during the reign of queen elizabeth i in this period writers such as sir philip sidney edmund spenser roger ascham and william shakespeare flourished

**mcdougal literature the english renaissance** - Mar 30 2022

web mcdougal literature the english renaissance 1 mcdougal literature the english renaissance latin learning and english lore the university of michigan bulletin directory of american scholars english literature 1660 1800 1957 1960 idioms of self interest shakespeare and scotland the language of literature the reading nation in the

[english literary renaissance wikipedia](#) - Nov 06 2022

web english literary renaissance is a peer reviewed academic journal dedicated to the study of english literature from 1485 to 1665 besides scholarly articles it publishes rare texts and manuscripts from the period it was established in 1971 and is

edited by joseph black mary thomas crane jane hwang degenhardt and adam zucker

**mcdougal literature the english renaissance uniport edu** - Dec 27 2021

web mcdougal literature the english renaissance 1 6 downloaded from uniport edu ng on may 15 2023 by guest mcdougal literature the english renaissance when somebody should go to the ebook stores search opening by shop shelf by shelf it is essentially problematic this is why we provide the books compilations in this website it will

*mcdougal literature the english renaissance christopher* - Feb 26 2022

web we meet the expense of mcdougal literature the english renaissance and numerous ebook collections from fictions to scientific research in any way accompanied by them is this mcdougal literature the english renaissance that can be your partner

**reading the renaissance english literature from 1485 1660** - Sep 04 2022

web mar 30 2019 renaissance wonder and love of beauty both writers and readers of the renaissance marveled at the world which seemed to be designed by a master artist or craftsman writers strove to be as creative as the creator of the world people of the renaissance loved design and valued beauty and elaboration

**mcdougalliterature the english renaissance** - Oct 05 2022

web literary history to the dilemmas of patriarchal masculinity michigan quarterly review mcdougal littel a chronicle of the years between 1100 and 1453 describes the crusades the inquisition the emergence of the ottomans the rise of the mongols and the invention of new currencies weapons and schools of thought holt mcdougal literature holt

**english renaissance literature lit priest** - Aug 03 2022

web major texts of english renaissance in the renaissance period of english literary history revival of learning brought considerable literature into being with the invention of the printing press in the 16th century english literary tradition increased gradually and an abundance of books was printed

**english literary renaissance vol 53 no 3 the university of** - Jan 08 2023

web issn 0013 8312 e issn 1475 6757 english literary renaissance elr is a leading journal for new research in tudor and stuart literature including the sidneys spenser shakespeare jonson donne milton and their many contemporaries committed to using its international reach to share groundbreaking ideas elr fosters scholarship in a

[the angel of english renaissance literature studies in the](#) - Feb 09 2023

web the angel of english renaissance literature volume 6 skip to main content accessibility help we use cookies to distinguish you from other users and to provide you with a better experience on our websites close this message to accept cookies or find out how to manage your cookie settings

*english renaissance literature encyclopedia com* - Dec 07 2022

web english renaissance literature when tobacco took england by storm in the late sixteenth century it quickly permeated all arenas of cultural activity and literature was no exception references to both medical and recreational uses of tobacco soon began to appear throughout a wide range of literary forms with a particular concentration in comic genres

**the english renaissance cambridge university press** - May 12 2023

web the environment of renaissance england revealing a nation at a crossroads between its pastoral heritage and industrialized future carefully selected primary english literature 2011 cambridge university press 978 1 316 51015 5 literature and nature in the english renaissance edited by todd andrew borlik

**the english renaissance poetry foundation** - Jun 13 2023

web the english renaissance an era of cultural revival and poetic evolution starting in the late 15th century and spilling into the revolutionary years of the 17th century stands as an early summit of poetry achievement the era in which the modern sense of english poetry begins

**english renaissance english literature i lumen learning** - Apr 11 2023

web english renaissance the english renaissance was a cultural and artistic movement in england dating from the late 15th to the early 17th century it is associated with the pan european renaissance that is usually regarded as

**mcdougal literature the english renaissance uniport edu** - Jan 28 2022

web apr 2 2023 mcdougal literature the english renaissance 1 8 downloaded from uniport edu ng on april 2 2023 by guest mcdougal literature the english renaissance this is likewise one of the factors by obtaining the soft documents of this mcdougal literature the english renaissance by online