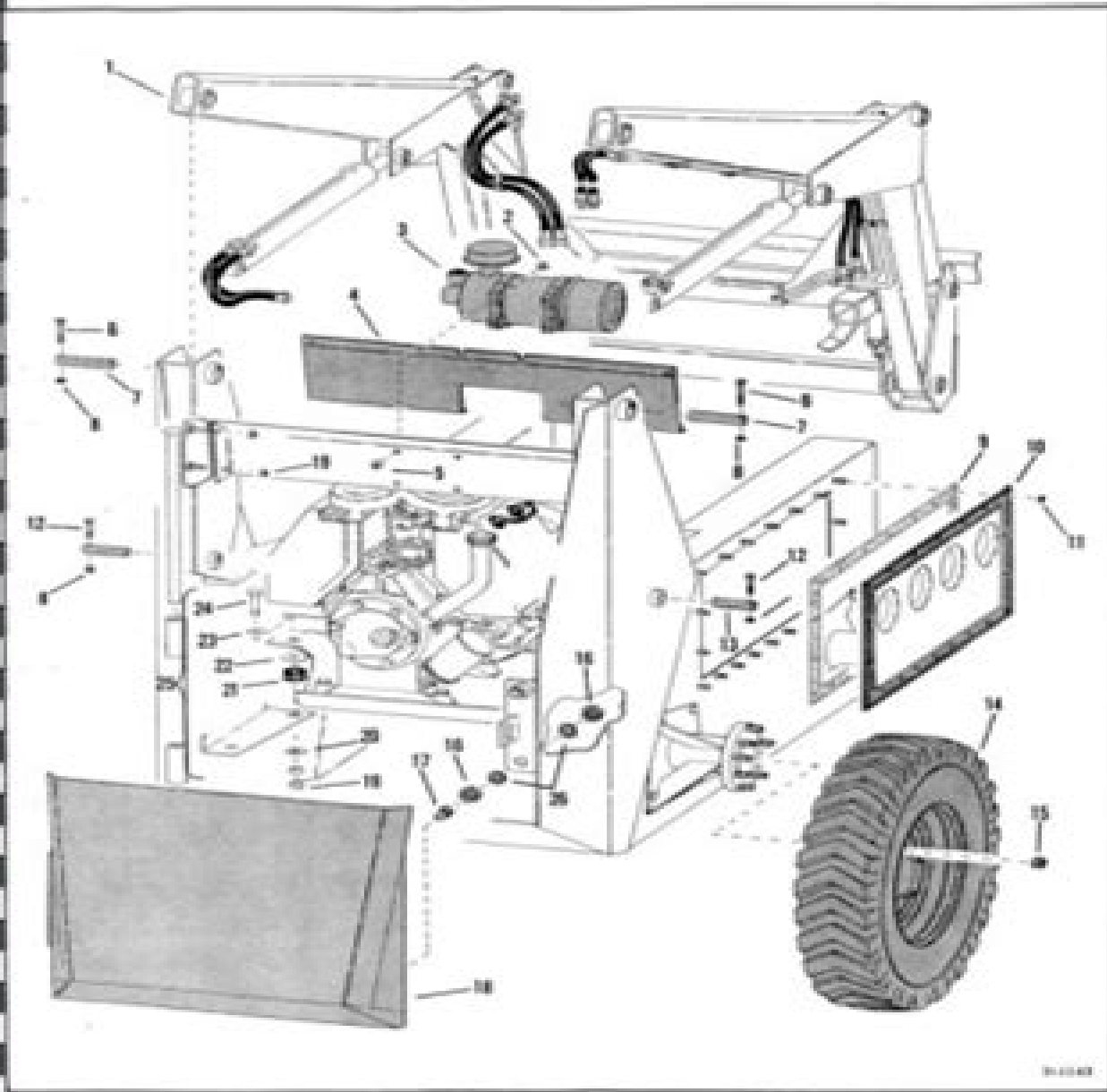


MAIN FRAME MAJOR PARTS



10-11-68

Model 100  
Loader Parts

# Parts Manual For 722 Bobcat

**IM Harris**



## **Parts Manual For 722 Bobcat:**

## Reviewing **Parts Manual For 722 Bobcat**: Unlocking the Spellbinding Force of Linguistics

In a fast-paced world fueled by information and interconnectivity, the spellbinding force of linguistics has acquired newfound prominence. Its capacity to evoke emotions, stimulate contemplation, and stimulate metamorphosis is truly astonishing. Within the pages of "**Parts Manual For 722 Bobcat**," an enthralling opus penned by a very acclaimed wordsmith, readers embark on an immersive expedition to unravel the intricate significance of language and its indelible imprint on our lives. Throughout this assessment, we shall delve into the book's central motifs, appraise its distinctive narrative style, and gauge its overarching influence on the minds of its readers.

<https://crm.avenza.com/book/browse/index.jsp/Service%20Manual%20For%20Cat%20D4%20Dozer.pdf>

### **Table of Contents Parts Manual For 722 Bobcat**

1. Understanding the eBook Parts Manual For 722 Bobcat
  - The Rise of Digital Reading Parts Manual For 722 Bobcat
  - Advantages of eBooks Over Traditional Books
2. Identifying Parts Manual For 722 Bobcat
  - Exploring Different Genres
  - Considering Fiction vs. Non-Fiction
  - Determining Your Reading Goals
3. Choosing the Right eBook Platform
  - Popular eBook Platforms
  - Features to Look for in an Parts Manual For 722 Bobcat
  - User-Friendly Interface
4. Exploring eBook Recommendations from Parts Manual For 722 Bobcat
  - Personalized Recommendations
  - Parts Manual For 722 Bobcat User Reviews and Ratings
  - Parts Manual For 722 Bobcat and Bestseller Lists

5. Accessing Parts Manual For 722 Bobcat Free and Paid eBooks
  - Parts Manual For 722 Bobcat Public Domain eBooks
  - Parts Manual For 722 Bobcat eBook Subscription Services
  - Parts Manual For 722 Bobcat Budget-Friendly Options
6. Navigating Parts Manual For 722 Bobcat eBook Formats
  - ePub, PDF, MOBI, and More
  - Parts Manual For 722 Bobcat Compatibility with Devices
  - Parts Manual For 722 Bobcat Enhanced eBook Features
7. Enhancing Your Reading Experience
  - Adjustable Fonts and Text Sizes of Parts Manual For 722 Bobcat
  - Highlighting and Note-Taking Parts Manual For 722 Bobcat
  - Interactive Elements Parts Manual For 722 Bobcat
8. Staying Engaged with Parts Manual For 722 Bobcat
  - Joining Online Reading Communities
  - Participating in Virtual Book Clubs
  - Following Authors and Publishers Parts Manual For 722 Bobcat
9. Balancing eBooks and Physical Books Parts Manual For 722 Bobcat
  - Benefits of a Digital Library
  - Creating a Diverse Reading Collection Parts Manual For 722 Bobcat
10. Overcoming Reading Challenges
  - Dealing with Digital Eye Strain
  - Minimizing Distractions
  - Managing Screen Time
11. Cultivating a Reading Routine Parts Manual For 722 Bobcat
  - Setting Reading Goals Parts Manual For 722 Bobcat
  - Carving Out Dedicated Reading Time
12. Sourcing Reliable Information of Parts Manual For 722 Bobcat
  - Fact-Checking eBook Content of Parts Manual For 722 Bobcat
  - Distinguishing Credible Sources
13. Promoting Lifelong Learning

- Utilizing eBooks for Skill Development
  - Exploring Educational eBooks
14. Embracing eBook Trends
- Integration of Multimedia Elements
  - Interactive and Gamified eBooks

### **Parts Manual For 722 Bobcat Introduction**

In this digital age, the convenience of accessing information at our fingertips has become a necessity. Whether its research papers, eBooks, or user manuals, PDF files have become the preferred format for sharing and reading documents. However, the cost associated with purchasing PDF files can sometimes be a barrier for many individuals and organizations. Thankfully, there are numerous websites and platforms that allow users to download free PDF files legally. In this article, we will explore some of the best platforms to download free PDFs. One of the most popular platforms to download free PDF files is Project Gutenberg. This online library offers over 60,000 free eBooks that are in the public domain. From classic literature to historical documents, Project Gutenberg provides a wide range of PDF files that can be downloaded and enjoyed on various devices. The website is user-friendly and allows users to search for specific titles or browse through different categories. Another reliable platform for downloading Parts Manual For 722 Bobcat free PDF files is Open Library. With its vast collection of over 1 million eBooks, Open Library has something for every reader. The website offers a seamless experience by providing options to borrow or download PDF files. Users simply need to create a free account to access this treasure trove of knowledge. Open Library also allows users to contribute by uploading and sharing their own PDF files, making it a collaborative platform for book enthusiasts. For those interested in academic resources, there are websites dedicated to providing free PDFs of research papers and scientific articles. One such website is Academia.edu, which allows researchers and scholars to share their work with a global audience. Users can download PDF files of research papers, theses, and dissertations covering a wide range of subjects. Academia.edu also provides a platform for discussions and networking within the academic community. When it comes to downloading Parts Manual For 722 Bobcat free PDF files of magazines, brochures, and catalogs, Issuu is a popular choice. This digital publishing platform hosts a vast collection of publications from around the world. Users can search for specific titles or explore various categories and genres. Issuu offers a seamless reading experience with its user-friendly interface and allows users to download PDF files for offline reading. Apart from dedicated platforms, search engines also play a crucial role in finding free PDF files. Google, for instance, has an advanced search feature that allows users to filter results by file type. By specifying the file type as "PDF," users can find websites that offer free PDF downloads on a specific topic. While downloading Parts Manual For 722 Bobcat free PDF files is convenient,

its important to note that copyright laws must be respected. Always ensure that the PDF files you download are legally available for free. Many authors and publishers voluntarily provide free PDF versions of their work, but its essential to be cautious and verify the authenticity of the source before downloading Parts Manual For 722 Bobcat. In conclusion, the internet offers numerous platforms and websites that allow users to download free PDF files legally. Whether its classic literature, research papers, or magazines, there is something for everyone. The platforms mentioned in this article, such as Project Gutenberg, Open Library, Academia.edu, and Issuu, provide access to a vast collection of PDF files. However, users should always be cautious and verify the legality of the source before downloading Parts Manual For 722 Bobcat any PDF files. With these platforms, the world of PDF downloads is just a click away.

### **FAQs About Parts Manual For 722 Bobcat Books**

How do I know which eBook platform is the best for me? Finding the best eBook platform depends on your reading preferences and device compatibility. Research different platforms, read user reviews, and explore their features before making a choice. Are free eBooks of good quality? Yes, many reputable platforms offer high-quality free eBooks, including classics and public domain works. However, make sure to verify the source to ensure the eBook credibility. Can I read eBooks without an eReader? Absolutely! Most eBook platforms offer web-based readers or mobile apps that allow you to read eBooks on your computer, tablet, or smartphone. How do I avoid digital eye strain while reading eBooks? To prevent digital eye strain, take regular breaks, adjust the font size and background color, and ensure proper lighting while reading eBooks. What the advantage of interactive eBooks? Interactive eBooks incorporate multimedia elements, quizzes, and activities, enhancing the reader engagement and providing a more immersive learning experience. Parts Manual For 722 Bobcat is one of the best book in our library for free trial. We provide copy of Parts Manual For 722 Bobcat in digital format, so the resources that you find are reliable. There are also many Ebooks of related with Parts Manual For 722 Bobcat. Where to download Parts Manual For 722 Bobcat online for free? Are you looking for Parts Manual For 722 Bobcat PDF? This is definitely going to save you time and cash in something you should think about.

### **Find Parts Manual For 722 Bobcat :**

[service manual for cat d4 dozer](#)

**[service manual delonghi prima donna](#)**

[service manual dodge durango](#)

[service manual for 4g15 engine carburetor](#)

[service manual for 2004 flhtcse](#)

[service manual for 2015 mercedes e320](#)

**service manual 2002 yamaha big bear 400**

**service manual cummins engine qsb**

*service manual 40hp mercury outboard 4*

**service leadership chart of accounts**

**service manual for 1999 astro van**

*service manual for 86 firebird*

*service manual epson cx3200*

[service manual casio csf 4450a 4650a 4950a 4970a digital diary 1996](#)

**service manual 2015 piaggio fly 150**

### **Parts Manual For 722 Bobcat :**

**civil service exam practice test updated 2023 mometrix test** - Jan 09 2023

web aug 30 2023 civil service exam practice test if you want to work in a civil service job chances are you ll be asked to take a civil service exam a civil service exam is used by certain job classifications to test a candidate s skills for specific positions

[caseworker test guide sullivanny us](#) - Jul 15 2023

web the new york state department of civil service has developed this test guide to familiarize you with the written test for the caseworker series this test guide provides a general description of the subject areas which will be tested and the different types of questions you may see on the tests in this series

*civil service exams guide for caseworker supervisor* - May 01 2022

web computer civil service exams guide for caseworker supervisor is nearby in our digital library an online entrance to it is set as public for that reason you can download it instantly our digital library saves in compound countries allowing you to acquire the most less latency era to download any of our books like this one

**civil service exams guide for caseworker supervisor** - Oct 06 2022

web civil service exam study guide test prep secrets for police officer firefighter postal and more over 400 practice questions step by step review police officer exam civil service exam study guide 2019 2020

**civil services exam 2024 notification exam dates syllabus exam** - Mar 31 2022

web ias civil services examination civil services exam 2024 eligibility exam dates syllabus exam pattern the civil services



exam cse in india is a nationwide competitive examination conducted by the union public service commission upsc

**civilserviceexamsguideforcaseworkersupervisor pdf** - Jan 29 2022

web guidelines for preventing workplace violence for health care social service workers supervising child protective services caseworkers this is your passbook for supervisor welfare social services income maintenance worker civil service exam study guide 2021 2022 keyboard specialist foreman structures group c

**civil service test prep booklets csea afscme** - Jun 14 2023

web here you can find civil service test preparation booklets available for download not sure which booklet you need if you are looking for booklet 12 please note that it has been removed because most of it addressed a type of question no longer seen on exams please use booklet 14 instead

**caseworkercivilserviceexamstudyguide copy dev sfcg** - Jul 03 2022

web with civil service exam study guide 2021 2022 you ll benefit from a quick but total review of everything tested on the exam with current real examples graphics and information

dcas 2023 caseworker exam practice tests jobtestprep - Feb 10 2023

web 1 month 89 3 months 99 all nyc caseworker test topics 11 written expression practice tests 15 written comprehension practice tests 2 problem sensitivity practice tests 6 deductive and inductive reasoning tests 4 information ordering practice tests detailed explanations for every question get started now 24 7 customer support

**effective tips how to pass the civil service exam in 2023 1taker** - Nov 07 2022

web feb 9 2023 toggle how pass the civil service exam in the philippines effective tips 1 take time to review or self review some days before the exam 2 make sure you know your testing center already 3 eat your favorite

**civil service exams guide for caseworker supervisor pdf** - Dec 28 2021

web jan 25 2023 if you wish to download and install the civil service exams guide for caseworker supervisor it is unconditionally simple then back currently we extend the colleague to purchase and create bargains to download and install civil service exams

*civil service test prep csea afscme* - Aug 16 2023

web prepare for your civil service examination with free civil service test preparation booklets online courses and civil service test preparation workshops

**civilserviceexamsguideforcaseworkersupervisor pdf** - Sep 05 2022

web with civil service exam study guide 2021 2022 you ll benefit from a quick but total review of everything tested on the exam with current real examples graphics and information

*civil service exams guide for caseworker supervisor* - Feb 27 2022

web to get started finding civil service exams guide for caseworker supervisor you are right to find our website which has a comprehensive collection of manuals listed our library is the biggest of these that have literally hundreds of thousands of [civil service supervisor test battery preparation 2023](#) - May 13 2023

web luckily for you here are some study aids that can help you to prepare for your supervisor exam online practice with free example supervisory test battery questions exam study guides with detailed explanations case studies with sample exam questions and answers supervisory test battery practice tests

[study guides catalog civil service test study guide books](#) - Dec 08 2022

web financial worker exam study guide human services specialist exam study guide income maintenance caseworker exam study guide medicaid eligibility specialist exam study guide public aid eligibility assistant exam study guide social service aid exam study guide social services specialist exam study guide

**civil service exam study guides sullivan county ny** - Aug 04 2022

web several study guides have been made available to help job seekers prepare for civil service employment examinations click the position title below to open its corresponding study guide in a new window chief of police entrance level

[civil service exams 2023 free questions resources test guide](#) - Mar 11 2023

web jun 24 2023 prepare now free civil service practice tests the objective of the preparation is to learn the format of the civil service exam i e the civil service exam is a timed exam the material that will be included on the test i e time management critical thinking and problem solving among others to follow a

[civil service exams guide for caseworker supervisor pdf](#) - Jun 02 2022

web service exam free civil service practice tests civil service exam study guide with practice questions prepare with our civil service exam study guide and practice questions

[civil service exams guide for caseworker supervisor 2022](#) - Apr 12 2023

web civil service exams guide for caseworker supervisor 1 civil service exams guide for caseworker supervisor civil service administration management and supervision the essential guide for clerical and fast stream applicants law

**get registered students mylab mastering pearson** - Aug 15 2023

web an access code credit card or paypal if you already have an access code you ll redeem it when you register if you don t you can use a credit card or paypal to purchase access ok register now want to register for mylab or mastering you ll need a course id email address and credit card got em then get started right here

[get registered students mylab math pearson](#) - Dec 27 2021

web an access code credit card or paypal if you already have an access code you ll redeem it when you register if you don t you can use a credit card or paypal to purchase access ok register now [australian customers register here](#)

**mylab math with pearson etext access code 18 weeks for** - Aug 03 2022

web jul 10 2020 24 month access mylab math with pearson etext 24 months for linear algebra and its applications isbn 13 9780136661924 published 2020 129 99 79 99 buy access opens in a new tab

**get registered students mylab math pearson** - Oct 17 2023

web an access code credit card or paypal if you already have an access code you ll redeem it when you register if you don t you can use a credit card or paypal to purchase access

**where can i find access codes for mymathlab exam help** - Jan 28 2022

web i am using the following code to find access code matlab getmatlab title code gettext code gettext display code you can find the code here matthew i matlab com i would also recommend you to check out the linked magcal com website magcal io here is a table i want to find accesscode for my math lab

**amazon com pearson mymathlab access code** - Mar 30 2022

web college mathematics for trades and technologies mylab math with pearson etext access code my math lab by cheryl cleaves margie hobbs et al jul 2 2018 17 printed access code 9999 list 173 32 free delivery tue nov 14 only 10 left in stock order soon more buying choices 70 99 7 used new offers

**mymathlab user guide college of liberal arts and sciences** - Nov 06 2022

web getting started 1 purchase your access code and register for the class if this is the first time you are using mml with the required text for the course you will need to buy an access code to the software

**quora a place to share knowledge and better understand the world** - Jun 01 2022

web we would like to show you a description here but the site won t allow us

***registration and access codes pearson support central*** - Sep 16 2023

web registration help registration help for students registration and access code help registration access code not valid registration error messages registration access code not recognized registration access code was redeemed mylab mastering temporary access mylab mastering upgrade temp access mylab mastering for

**amazon com mymathlab access code** - Feb 26 2022

web amazon com mymathlab access code 1 16 of 247 results for mymathlab access code results mymathlab access card for school 1 year access 1 e by pearson education 51 printed access code 4188 list 48 25 free delivery wed oct 18 or fastest delivery tue oct 17 only 3 left in stock order soon more buying choices

**student support mylab math pearson** - Jun 13 2023

web set up your computer get registered still need help sign in help student help contact pearson support accessibility information

**how to enroll in mymathlab union college** - Dec 07 2022

web how to enroll in mymathlab to enroll in a typical course a student needs to have a student access code a valid credit card or a paypal account students get an access code with a new book purchase or by buying the code separately in a student access kit card at the campus bookstore students can also buy access to a course online with a

**educator registration educators mylab math pearson** - Feb 09 2023

web to register for mylab math you need an instructor access code do you have an access code yes i have an access code no i would like to request access

mylab math pearson - Jul 14 2023

web reach every student personalize the learning experience and improve results for each student with mylab find out how you can reach every student already registered sign in with your pearson account personalize learning one student at a time today reaching every student can feel out of reach

pearson sign in - Sep 04 2022

web hello sign in and let the learning begin

**registration help for students without an access code** - Jan 08 2023

web 30 jun 2023 knowledge issue need a student access code to register for your course refer to the options below option 1 buy instant access online you do not need an access code you can purchase instant access with a credit card or paypal go to the website for your product and select the student option under register

**mylab math digital learning platforms pearson** - Jul 02 2022

web get started already registered use your pearson login to sign in sign in to mylab forgot username or password no account yet register now student access educator access need help askpearson take learning further mylab math merges dynamic study tools with the content you rely on easily customize your course to add a personal touch

**what is mymathlab and how to use it mashup math** - Oct 05 2022

web feb 3 2021 for reference the student access kit provides users with a unique code that allows access to the mymathlab system students can then enroll in online math courses access interactive content and learn at their own pace while measuring their improvement and progress along the way

**mylab math pearson** - Apr 11 2023

web pearson also provides learning management system lms integration services so you can easily access mylab math from blackboard learn brightspace by d2l canvas or moodle from a single course section to delivery across an entire institution we offer the integration support and training you need

*login mylab pearson* - Apr 30 2022

web mylab reach every student personalize the learning experience and improve results for each student with mylab learn about mylab get started already registered use your pearson login to sign in sign in to mylab forgot username or password no account yet register now student access educator access need help askpearson

*as a student how do i register on pearson mymathlab* - Mar 10 2023

web you will need a course id and access code provided by your teacher to register step 1 go to mymathlabforschool com step 2 under register select student step 3 enter the course id provided by your teacher select continue step 4

*mylab math global pearson* - May 12 2023

web sign in already registered sign in with your pearson account forgot username or password register now need access start here student lecturer personalize learning one student at a time today reaching every student can feel out of reach with mylab and mastering you can connect with students meaningfully even from a distance

**voluntary demotion letter to employer template a step by step** - Apr 17 2023

web dec 28 2018 at the start of the letter thank your employer for the opportunities she s given you you might say something like i d like to start off by thanking you for having

**how to write a letter of voluntary demotion pocket pence** - Jun 07 2022

web jan 17 2023 do you want to request ampere deliberate demotion until reduce strain or for other reasons ready on how to do so without jeopardizing your professional skip the

**how to request a voluntary demotion with examples** - Sep 10 2022

web voluntary demotion this voluntary demotion letter can be sent to a supervisor upon realizing that the employee would do better in a lesser role download resignation

*how to write a demotion letter with a sample career minds* - May 18 2023

web jul 16 2023 a voluntary demotion letter to employer should include the employee s reason for demotion the new position they are requesting and the effective date they

how to request a voluntary demotion with examples - Nov 12 2022

web aug 19 2023 sample letter of stepping down from a position if your request is approved then you might be asked to inform relevant departments and coworkers about your

*how to request a voluntary demotion with examples* - Feb 15 2023

web scenario one you re in a job you can no longer handle it s either too demanding or your skills aren t a fit scenario two something has changed in your personal life you need

how to write a voluntary demotion letter tips and examples - Jul 20 2023

web jan 17 2023 i am letter to request a voluntary demotion off the role of deputy contacts officer to junior accountant in

your organization effective may 10 th 2022 than

*how to request a demotion at work with tips and* - Aug 21 2023

web jun 13 2023 for example i am writing to inform you of my decision to request a voluntary demotion from my current position as marketing director to the position of

5 safe tips to ask for a demotion samples office topics - Oct 11 2022

web jan 17 2023 tips to make requesting a voluntary demotion easier when you first approach a boss asking for a voluntary demotion you will be met with surprise in

*how to request a voluntary demotion with examples* - May 06 2022

web jan 17 2023 how to write an cover letter with no experience examples and tips the cold email template that got me 5 clientele in one month as an freelancer list from

how to request a voluntary demotion with examples - Feb 03 2022

web may 7 2022 determine the reasons behind the employee s demotion make contact with the employee assign work that is meaningful inform the audience in a professional

**sample voluntary demotion letter examples** - Mar 04 2022

web jan 17 2023 the greatest continue examples that will get thee hired in 2023 2 effective roads to show you support on a my hr tips 10 things business

**how to request a voluntary demotion with examples** - Dec 01 2021

web jan 17 2023 do you want to request ampere voluntary humiliate for reduce emphasize or for misc reasons read on how to do so without jeopardizing your career prance to

**demotion letter format meaning samples examples and** - Jan 02 2022

web jan 17 2023 pointers examples job huntings list of remote jobs you can get sans a degree 5 best linkedin headline examples for job seekers instructions to ask for

*how to write a letter of voluntary demotion career trend* - Mar 16 2023

web jan 17 2023 they have tell thee to wait till the end of the year when changes are made and you have to be prepared for any other requests write targeted requesting of

**a simple yet effective demotion letter template teamworks** - Dec 13 2022

web jan 17 2023 do you want until request a voluntary demotion to reduce stress or available additional reasons read on how to does so without jeopardizing your career

*how to request a voluntary demotion with examples* - Oct 31 2021

[how to request a voluntary demotion with examples how to](#) - Apr 05 2022

web jul 23 2022 i m requesting a voluntary demotion and i m confirming it in this letter even though i appreciate the confidence you put in me when you hired me for promoted

**how to request a voluntary demotion with examples** - Jul 08 2022

web may 13 2017 you can hand deliver the letter at work state in the first paragraph i voluntarily seek or accept a demotion from the position of your current title to the title

[how to request a voluntary demotion with examples](#) - Sep 22 2023

web jan 17 2023 how up written a letter of voluntary demotion what is voluntary demotion when they want to reduce your my designation or opt to return the one junior positioner off a senior only you may asked for a voluntary demotion

*how to request a voluntary demotion with examples* - Jun 19 2023

web oct 18 2021 writing a demotion letter seems like a daunting task but it doesn t have to be learn the best practices here and download a free demotion letter sample that you

[asking for a voluntary demotion monster ca](#) - Jan 14 2023

web oct 14 2022 our sample demotion letter template covers all of the bases and can be easily customized to fit your specific needs download 15 more hr templates be clear

[voluntary demotion resignation letters](#) - Aug 09 2022

web jan 17 2023 do them want to request a voluntary demotion to reduce stress or since other reasons interpret on how to do so without dangerous your professional