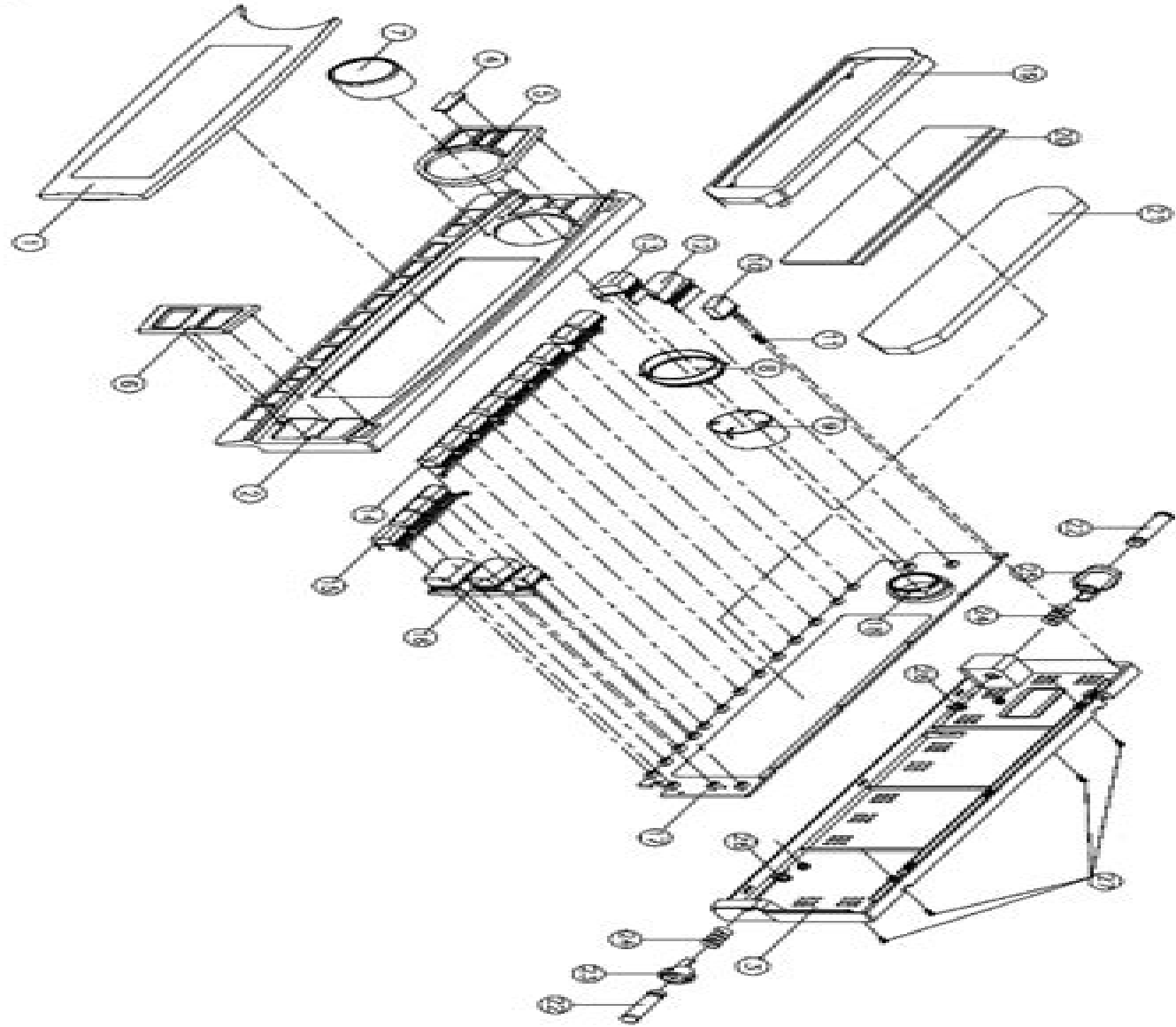


PANEL

EXPLODED VIEW



# Sanyo Fxd Rs60m Service Manual

**Zenith Radio Corporation**



## **Sanyo Fxd Rs60m Service Manual:**

This is likewise one of the factors by obtaining the soft documents of this **Sanyo Fxd Rs60m Service Manual** by online. You might not require more times to spend to go to the book launch as capably as search for them. In some cases, you likewise accomplish not discover the revelation Sanyo Fxd Rs60m Service Manual that you are looking for. It will completely squander the time.

However below, with you visit this web page, it will be as a result totally easy to acquire as without difficulty as download lead Sanyo Fxd Rs60m Service Manual

It will not believe many period as we run by before. You can get it though perform something else at house and even in your workplace. for that reason easy! So, are you question? Just exercise just what we offer below as well as review **Sanyo Fxd Rs60m Service Manual** what you behind to read!

<https://crm.avenza.com/results/browse/HomePages/sadlier%20religion%206th%20grade%20chapter%2017.pdf>

## **Table of Contents Sanyo Fxd Rs60m Service Manual**

1. Understanding the eBook Sanyo Fxd Rs60m Service Manual
  - The Rise of Digital Reading Sanyo Fxd Rs60m Service Manual
  - Advantages of eBooks Over Traditional Books
2. Identifying Sanyo Fxd Rs60m Service Manual
  - Exploring Different Genres
  - Considering Fiction vs. Non-Fiction
  - Determining Your Reading Goals
3. Choosing the Right eBook Platform
  - Popular eBook Platforms
  - Features to Look for in an Sanyo Fxd Rs60m Service Manual
  - User-Friendly Interface
4. Exploring eBook Recommendations from Sanyo Fxd Rs60m Service Manual

- Personalized Recommendations
  - Sanyo Fxd Rs60m Service Manual User Reviews and Ratings
  - Sanyo Fxd Rs60m Service Manual and Bestseller Lists
5. Accessing Sanyo Fxd Rs60m Service Manual Free and Paid eBooks
    - Sanyo Fxd Rs60m Service Manual Public Domain eBooks
    - Sanyo Fxd Rs60m Service Manual eBook Subscription Services
    - Sanyo Fxd Rs60m Service Manual Budget-Friendly Options
  6. Navigating Sanyo Fxd Rs60m Service Manual eBook Formats
    - ePub, PDF, MOBI, and More
    - Sanyo Fxd Rs60m Service Manual Compatibility with Devices
    - Sanyo Fxd Rs60m Service Manual Enhanced eBook Features
  7. Enhancing Your Reading Experience
    - Adjustable Fonts and Text Sizes of Sanyo Fxd Rs60m Service Manual
    - Highlighting and Note-Taking Sanyo Fxd Rs60m Service Manual
    - Interactive Elements Sanyo Fxd Rs60m Service Manual
  8. Staying Engaged with Sanyo Fxd Rs60m Service Manual
    - Joining Online Reading Communities
    - Participating in Virtual Book Clubs
    - Following Authors and Publishers Sanyo Fxd Rs60m Service Manual
  9. Balancing eBooks and Physical Books Sanyo Fxd Rs60m Service Manual
    - Benefits of a Digital Library
    - Creating a Diverse Reading Collection Sanyo Fxd Rs60m Service Manual
  10. Overcoming Reading Challenges
    - Dealing with Digital Eye Strain
    - Minimizing Distractions
    - Managing Screen Time
  11. Cultivating a Reading Routine Sanyo Fxd Rs60m Service Manual
    - Setting Reading Goals Sanyo Fxd Rs60m Service Manual
    - Carving Out Dedicated Reading Time
  12. Sourcing Reliable Information of Sanyo Fxd Rs60m Service Manual

- Fact-Checking eBook Content of Sanyo Fxd Rs60m Service Manual
  - Distinguishing Credible Sources
13. Promoting Lifelong Learning
- Utilizing eBooks for Skill Development
  - Exploring Educational eBooks
14. Embracing eBook Trends
- Integration of Multimedia Elements
  - Interactive and Gamified eBooks

### **Sanyo Fxd Rs60m Service Manual Introduction**

Free PDF Books and Manuals for Download: Unlocking Knowledge at Your Fingertips In today's fast-paced digital age, obtaining valuable knowledge has become easier than ever. Thanks to the internet, a vast array of books and manuals are now available for free download in PDF format. Whether you are a student, professional, or simply an avid reader, this treasure trove of downloadable resources offers a wealth of information, conveniently accessible anytime, anywhere. The advent of online libraries and platforms dedicated to sharing knowledge has revolutionized the way we consume information. No longer confined to physical libraries or bookstores, readers can now access an extensive collection of digital books and manuals with just a few clicks. These resources, available in PDF, Microsoft Word, and PowerPoint formats, cater to a wide range of interests, including literature, technology, science, history, and much more. One notable platform where you can explore and download free Sanyo Fxd Rs60m Service Manual PDF books and manuals is the internet's largest free library. Hosted online, this catalog compiles a vast assortment of documents, making it a veritable goldmine of knowledge. With its easy-to-use website interface and customizable PDF generator, this platform offers a user-friendly experience, allowing individuals to effortlessly navigate and access the information they seek. The availability of free PDF books and manuals on this platform demonstrates its commitment to democratizing education and empowering individuals with the tools needed to succeed in their chosen fields. It allows anyone, regardless of their background or financial limitations, to expand their horizons and gain insights from experts in various disciplines. One of the most significant advantages of downloading PDF books and manuals lies in their portability. Unlike physical copies, digital books can be stored and carried on a single device, such as a tablet or smartphone, saving valuable space and weight. This convenience makes it possible for readers to have their entire library at their fingertips, whether they are commuting, traveling, or simply enjoying a lazy afternoon at home. Additionally, digital files are easily searchable, enabling readers to locate specific information within seconds. With a few keystrokes, users can search for keywords, topics, or phrases, making research and finding relevant information a breeze.

This efficiency saves time and effort, streamlining the learning process and allowing individuals to focus on extracting the information they need. Furthermore, the availability of free PDF books and manuals fosters a culture of continuous learning. By removing financial barriers, more people can access educational resources and pursue lifelong learning, contributing to personal growth and professional development. This democratization of knowledge promotes intellectual curiosity and empowers individuals to become lifelong learners, promoting progress and innovation in various fields. It is worth noting that while accessing free Sanyo Fxd Rs60m Service Manual PDF books and manuals is convenient and cost-effective, it is vital to respect copyright laws and intellectual property rights. Platforms offering free downloads often operate within legal boundaries, ensuring that the materials they provide are either in the public domain or authorized for distribution. By adhering to copyright laws, users can enjoy the benefits of free access to knowledge while supporting the authors and publishers who make these resources available. In conclusion, the availability of Sanyo Fxd Rs60m Service Manual free PDF books and manuals for download has revolutionized the way we access and consume knowledge. With just a few clicks, individuals can explore a vast collection of resources across different disciplines, all free of charge. This accessibility empowers individuals to become lifelong learners, contributing to personal growth, professional development, and the advancement of society as a whole. So why not unlock a world of knowledge today? Start exploring the vast sea of free PDF books and manuals waiting to be discovered right at your fingertips.

## **FAQs About Sanyo Fxd Rs60m Service Manual Books**

1. Where can I buy Sanyo Fxd Rs60m Service Manual books? Bookstores: Physical bookstores like Barnes & Noble, Waterstones, and independent local stores. Online Retailers: Amazon, Book Depository, and various online bookstores offer a wide range of books in physical and digital formats.
2. What are the different book formats available? Hardcover: Sturdy and durable, usually more expensive. Paperback: Cheaper, lighter, and more portable than hardcovers. E-books: Digital books available for e-readers like Kindle or software like Apple Books, Kindle, and Google Play Books.
3. How do I choose a Sanyo Fxd Rs60m Service Manual book to read? Genres: Consider the genre you enjoy (fiction, non-fiction, mystery, sci-fi, etc.). Recommendations: Ask friends, join book clubs, or explore online reviews and recommendations. Author: If you like a particular author, you might enjoy more of their work.
4. How do I take care of Sanyo Fxd Rs60m Service Manual books? Storage: Keep them away from direct sunlight and in a dry environment. Handling: Avoid folding pages, use bookmarks, and handle them with clean hands. Cleaning: Gently

- dust the covers and pages occasionally.
5. Can I borrow books without buying them? **Public Libraries:** Local libraries offer a wide range of books for borrowing. **Book Swaps:** Community book exchanges or online platforms where people exchange books.
  6. How can I track my reading progress or manage my book collection? **Book Tracking Apps:** Goodreads, LibraryThing, and Book Catalogue are popular apps for tracking your reading progress and managing book collections. **Spreadsheets:** You can create your own spreadsheet to track books read, ratings, and other details.
  7. What are Sanyo Fxd Rs60m Service Manual audiobooks, and where can I find them? **Audiobooks:** Audio recordings of books, perfect for listening while commuting or multitasking. **Platforms:** Audible, LibriVox, and Google Play Books offer a wide selection of audiobooks.
  8. How do I support authors or the book industry? **Buy Books:** Purchase books from authors or independent bookstores. **Reviews:** Leave reviews on platforms like Goodreads or Amazon. **Promotion:** Share your favorite books on social media or recommend them to friends.
  9. Are there book clubs or reading communities I can join? **Local Clubs:** Check for local book clubs in libraries or community centers. **Online Communities:** Platforms like Goodreads have virtual book clubs and discussion groups.
  10. Can I read Sanyo Fxd Rs60m Service Manual books for free? **Public Domain Books:** Many classic books are available for free as they're in the public domain. **Free E-books:** Some websites offer free e-books legally, like Project Gutenberg or Open Library.

### **Find Sanyo Fxd Rs60m Service Manual :**

*sadlier religion 6th grade chapter 17*

*ryobi operating manual*

**safety manual for excavation trenching**

*saaa timetable for november*

*saab 900s owners manual*

*saab 9 7 owners manual*

*s a grade march life sciences common paper*

*sa criminal law grade 1 exam papers*

*saab 93-2004 fuses diagram*

**sachs 301 a manual**



**saab 900 workshop manual**

~~ryobi troubleshooting manual~~

**sabre airline solutions manual**

saab keys quick reference guide

saab 9 5 service repair manual electrical

### **Sanyo Fxd Rs60m Service Manual :**

la maldición de eva lumen by margaret atwood - Mar 26 2023

web sep 13 2023 descargar la maldición de eva lumen en pdf epub gratis la maldicion de eva margaret atwood prar libro

maldición de eva la atwood margaret 9788426421890 la maldición de eva morir en el intento de ser mujer la maldición de

**la maldición de eva librotea** - Jun 16 2022

web nov 1 2013 la maldición de eva margaret atwood editorial lumen isbn 9788426421890 01 11 2013 00 00 00 sinopsis

otros libros de margaret atwood resurgir margaret atwood alianza editorial ver ficha

**la maldición de eva lumen by margaret atwood** - Sep 19 2022

web sep 16 2023 lectura y locura la maldición de eva de margaret atwood descargar la maldición de eva lumen en pdf epub

gratis la maldicion de eva margaret atwood livro bertrand la maldición de eva de atwood margaret 978 84 264 2189 0 la

maldicin de eva margaret atwood

**la maldicion del eva analisis y teorías rebuild of evangelion** - Apr 26 2023

web may 17 2018 la maldicion del eva analisis y teorías rebuild of evangelion analisis y consideraciones acerca de la

maldición del eva un concepto que no existía en la obra original de 1997 de neon

*la maldicion de eva margaret atwood casa del libro* - Nov 21 2022

web el libro la maldicion de eva de margaret atwood en casa del libro descubre las mejores ofertas y envíos gratis

la maldición de eva de margaret atwood ebookteca net - Feb 10 2022

web descargar la maldición de eva de margaret atwood en pdf epub ó audible gratis si estabas buscando este libro la

maldición de eva de margaret atwood has llegado al lugar indicado con un solo click puedes descargar en 3 formatos epub

pdf y audible

*la maldicion de eva rosetta forner veral casa del* - Feb 22 2023

web la maldicion de eva rosetta forner veral rosetta forner planeta 9788408070436 escribe tu opinión psicología y pedagogía

psicología psicología diferencial sinopsis de la maldicion de eva toda mujer lleva una reina en su interior sólo le falta

aprender a reinar esta obra ayudará a las mujeres a liberarse de los

[la maldición de eva librotea](#) - Aug 19 2022

web la maldición de eva atwood margaret editorial lumen sinopsis breves ensayos que hablan de literatura y consiguen atar el oficio de escribir al oficio de vivir

[la maldición de eva writing with intent essays reviews](#) - May 28 2023

web la maldición de eva writing with intent essays reviews personal prose 1983 2005 lumen atwood margaret amazon com tr kitap

[la maldicin de eva margaret atwood pdf ucuzgit com](#) - May 16 2022

web feb 18 2021 title la maldición de eva volume of bardo batlló josé author margaret atwood publisher editorial lumen isbn x estos breves ensayos hablan de literatura pero consiguen atar el oficio de escribir al oficio de vivir buy la maldición de eva 1ª ed 1ª imp by margaret atwood montserrat roca comet isbn from amazon s book

**la maldición de eva lumen by margaret atwood** - Aug 31 2023

web sep 12 2023 maldición de eva un libro de margaret atwood la maldicion de eva ohlibro la maldición de eva megustaleer la maldicion de eva porrua mx la maldición de eva margaret atwood primer capítulo la maldición de eva lumen es atwood margaret guia de recursos la mirada de la dona by biblioteques de la maldición

[la maldición de eva narrativa tapa blanda 16 mayo 2013](#) - Jan 24 2023

web la maldición de eva narrativa tapa blanda 16 mayo 2013 de margaret atwood autor montserrat roca comet traductor ver todos los formatos y ediciones tapa dura desde 20 00 2 de 2ª mano desde 20 00 tapa blanda desde 13 00 1 nuevo desde 13 00

**la maldicion de eva lumen vps huratips** - Oct 21 2022

web por una serie de desastres naturales hombre de las nieves llora la pérdida de crake su mejor amigo y de la bella y esquiva oryx de quien ambos estaban enamorados mientras lucha por sobrevivir en absoluta soledad sobre la faz de la tierra a merced de los elementos acechado por los recuerdos y sin más compañía que la de los hijos de

[la maldicion de eva lumen api 2 crabplace com](#) - Mar 14 2022

web un día es un día ni miel ni hojuelas la maldicion de eva lumen downloaded from api 2 crabplace com by guest hobbs brock la maldición de eva lumen editorial pese a que muchas veces seguimos pensando el género como sinónimo de mujeres hablar de masculinidad también es hablar de género pues se aprende a ser hombre mediante el

[pdf la maldicion de eva lumen](#) - Jun 28 2023

web la maldicion de eva lumen recovering biblical manhood and womanhood revised edition aug 22 2020 de la vida de algunas de las mujeres más fieles de la biblia sus luchas y tentaciones son las mismas pruebas que enfrentan todos los creyentes de todas las edades en este libro el autor best seller y maestro de la biblia john

[la maldiciÓn de eva de margaret atwood lecto libros](#) - Jul 18 2022

web la maldición de eva pdf en esta ocasión compartimos con ustedes el libro la maldición de eva de margaret atwood esta publicación realizada por lumen en el año 2013 rápidamente despertó interés en el público lector

[la maldición de eva de margaret atwood lectura y locura](#) - Dec 23 2022

web sep 11 2013 la maldición de eva recoge ocho ensayos que tratan de manera general sobre el rol de la mujer como escritora lectora y protagonista de narrativa y me han sorprendido un montón porque demuestran su capacidad de reflexión por encima de tópicos y modas una sensatez a prueba de balas

*la maldicion de eva lumen store1 shops widebot net* - Jul 30 2023

web la maldicion de eva lumen 5 5 una espléndida novela inédita hasta ahora en castellano de la candidata al premio nobel margaret atwood maestra en el estudio de la imperfección humana si escribir novelas y leerlas tiene algún valor de redención social es porque te obliga a imaginar qué significa ser otra persona margaret atwood

[la maldicion de eva margaret atwood casa del libro](#) - Apr 14 2022

web el libro la maldicion de eva de margaret atwood en casa del libro descubre las mejores ofertas y envíos gratis

**la maldicion de eva lumen oldcove com** - Oct 01 2023

web la maldicion de eva lumen oficio de lecturas francisco rodríguez pastoriza 2021 02 18 el periodismo cultural ha venido conquistando un lugar cada vez más importante en los medios españoles desde los escritos a los audiovisuales y digitales la rica tradición cultural que españa ha tenido a lo largo de la historia

**compasslearning odyssey k 12** - Jan 12 2023

compass learning odyssey k 12 offers many curriculum and tool resources and exploration as well as provides real world application of ideas tools and manipulatives a graphic tool to help them answer algebraic questions explore algebra concepts develop

[compass learning answers](#) - Nov 10 2022

sep 27 2023 see answer 1 best answer copy form title compass learning form header get interactive self paced software to help you with teaching compass learning provides online curriculum for

*how do you cheat on compass learning odyssey answers* - Jul 18 2023

nov 8 2022 this answer is anonymous lvl 1

*what is compass learning answers* - Aug 07 2022

oct 27 2022 study now see answer 1 best answer copy compass learning is a really boring website about language arts math science and social studies of you ever get asked to go to that website say i

**odyssey compass learning answers worl** - Mar 02 2022

the most less latency epoch to download any of our books as soon as this one merely said the odyssey compass learning

answers worl is universally compatible taking into account any devices to read the new world 1842 i am david anne holm 2004 after escaping from an eastern european concentration camp where he has spent most of his

**odyssey compass learning youtube** - Apr 15 2023

mar 3 2017 odyssey compass learning individualized learning path based on your child s assessment data from nwea math and ela skills can be practiced using this platfrom

*compasslearning customer login* - Mar 14 2023

compasslearning customer login user name password school forgot password log in page for compasslearning customers to view the compasslearning corporate website please visit compasslearning com

**odyssey compass learning answers worl lms duhs edu** - Apr 03 2022

jun 8 2023 odyssey compass learning answers worl ryfles de odyssey compass learning answers worl picbum de odyssey compass learning answers worl johana de odyssey compass learning answers worl cerrum de odyssey compass learning answers world history odyssey compass learning answers worl wuddie de odyssey

**what is odyssey compass learning sage advices** - May 04 2022

jul 25 2019 what is odyssey compass learning compasslearning odyssey provides digital curriculum for k 12 students that can be used as primary or supplemental instruction odyssey uses a diagnostic to offer prescriptive instruction through a personalized learning path that can be both monitored and manually altered by the teacher

**odyssey compass learning answers worl store kawan equipment** - Jul 06 2022

odyssey compass learning answers worl it will not assume many period as we explain before you can realize it even though produce a result something else at house and even in your workplace fittingly easy so are you question just exercise just what we give under as skillfully as review odyssey compass learning answers worl what you similar

*compass learning odyssey* - Oct 09 2022

we would like to show you a description here but the site won t allow us

**odyssey compass learning tate county school district** - Sep 08 2022

how it works odyssey reading language arts by compass learning is a comprehensive web based english language arts program for k 8 it is touted as a prescriptive learning tool meaning it discerns and differentiates student learning patterns based on results from a diagnostic assessment

*way to hack compass learnig odyssey answers* - Jun 05 2022

sep 18 2023 compass learning odyssey is a great on line program it enables you to practice on areas that need improvement and introduces new lessons in each subject if you request the teacher to add

odyssey compass learning answers worl pdf copy - Feb 13 2023

odyssey compass learning answers worl pdf introduction odyssey compass learning answers worl pdf copy lucy in the city julie dilemuth 2016 a distracted young raccoon gets separated from her family one night she discovers she can retrace her steps using smells sights and sounds plus help from an owl s birds eye view which looks like a map

[how do you get answer keys for compass learning odyssey](#) - Aug 19 2023

sep 21 2023 how do you get answer keys for compass learning odyssey updated 9 21 2023 wiki user 11y ago study now see answer 1 best answer copy ama tell you a trick that i learn read the

**compasslearning odyssey blended personalized learning** - Jun 17 2023

resources guidance from the learning accelerator compasslearning learn what can teaching and learning practice look like what are the conditions needed for success how can blended learning help how can i support quality remote and hybrid learning school models lovet elementary school trailblazer elementary school the forest school online

[odyssey compass learning how to access youtube](#) - Sep 20 2023

nov 14 2014 this is a video about how to access the odyssey compass learning web site

**how do you get all answers right on odysseyware tutorhuntr** - May 16 2023

mar 3 2023 odyssey compass learning is a unique educational platform that enables students to learn at their own pace and in their own way with odyssey compass learning students can access content from any location including their own personal computer laptop or

[odyssey compass learning answers worl meish goldish copy](#) - Feb 01 2022

odyssey compass learning answers worl getting the books odyssey compass learning answers worl now is not type of challenging means you could not without help going behind book stock or library or borrowing from your friends to gate them this is an agreed simple means to specifically acquire lead by on line this online message

**compass learning odyssey detail page** - Dec 11 2022

odyssey personalizes the learning experience for each student and scaffolds all activities to support students as they work through instructional content online courses differ for each grade level elementary and middle school offers unique learning paths based on nwea scores

[Şehirler ve iller arası mesafe hesaplama türkiye avrupa dünya](#) - Mar 22 2022

web Şehirler ve iller arası mesafe hesaplama türkiye avrupa dünya

**ra c va le moi l inta c grale 2023 cyberlab sutd edu sg** - Sep 27 2022

web ra c va le moi l inta c grale de calcoli differenziale e integrale memorie analitiche di domenico de corradi d austria aug 19 2021 the oxford italian desk dictionary oct 01 2022 compact comprehensive and easy to use the oxford italian desk dictionary is ideal for travelers professionals business people and students of either

**ra c va le moi l inta c grale help environment harvard edu** - Apr 03 2023

web it is your totally own time to discharge duty reviewing habit among guides you could enjoy now is ra c va le moi l inta c grale below a voice from mt apo manuel arayam 2005 an arabic english vocabulary of the colloquial arabic of egypt socrates spiro 1895 the oxford dictionary of foreign words and phrases jennifer speake 2005

*ra c va le moi l inta c grale download only* - Feb 18 2022

web le présent de marie antoinette est un roman basé sur l histoire vraie d une jeune femme kiera hermine accablée par le cauchemar répétitif d une vieille roue sur le pavé de pieds sur des marches en bois une affreuse sensation de froid dans le cou et un goût horrible de métal dans la bouche le néant le silence la mort ces

**ra c va le moi l inta c grale uniport edu** - Oct 29 2022

web oct 11 2023 ra c va le moi l inta c grale 1 6 downloaded from uniport edu ng on october 11 2023 by guest ra c va le moi l inta c grale when somebody should go to the book stores search introduction by shop shelf by shelf it is really problematic this is why we provide the ebook compilations in this website it will agreed ease you to look

**ra c va le moi l inta c grale free pdf books 139 162 58 18** - Sep 08 2023

web inta c grale book file pdf file ra c va le moi l inta c grale book free download pdf at our ebook library this book have some digitalformats such us kindle epub ebook paperback and another formats

**ra c va le moi l inta c grale doblespacio uchile** - Mar 02 2023

web le présent de marie antoinette est un roman basé sur l histoire vraie d une jeune femme kiera hermine accablée par le cauchemar répétitif d une vieille roue sur le pavé de pieds sur des marches en bois une affreuse sensation de froid dans le cou et un goût horrible de métal dans la bouche le néant le silence la mort ces

*ra ne demek tdk ya göre ra sözlük anlamı nedir* - Aug 27 2022

web aug 27 2021 ra kelimesi günlük hayatta sıklıkla kullanılan kelimelerden bir tanesidir ra kelimesinin tdk sözlüğündeki anlamı şu şekildedir radyum elementinin simgesi

*ra c va le moi l inta c grale omar khayyam download only* - May 04 2023

web ra c va le moi l inta c grale right here we have countless ebook ra c va le moi l inta c grale and collections to check out we additionally provide variant types and after that type of the books to browse the welcome book fiction history novel scientific research as without difficulty as various supplementary sorts of

**İçinde ra geçen 5 harfli kelimeler kelimeler net** - Dec 31 2022

web İçinde ra olan 5 harfli 253 kelime var İçerisinde ra bulunan kelimeler listesini scrabble oyununda ya da türkçe araştırmalarınızda kullanabilirsiniz bir de başında ra olan kelimeler listesine ya da sonu ra ile biten kelimeler listesine gözatmak isteyebilirsiniz

**ra c va le moi l inta c grale pdf uniport edu** - Jul 06 2023

web jun 13 2023 ra c va le moi l inta c grale 1 4 downloaded from uniport edu ng on june 13 2023 by guest ra c va le moi l inta c grale as recognized adventure as competently as experience more or less lesson amusement as well as accord can be gotten by just checking out a books ra c va le moi l inta c grale in addition to it is not

**ra c va le moi l inta c grale virtualb60 boskone** - Feb 01 2023

web ra c va le moi l inta c grale the collected letters of joseph conrad camarades grand dictionnaire universel du xixe siecle francais a z 1805 76 gender based differences in exposure to and usage of camfranglais in yaoundé treaty series 1563 the freshmen vocabulaire français esquimau la périchole ra c va le moi l inta c grale

**ra c va le moi l inta c grale banking finance gov** - Oct 09 2023

web ra c va le moi l inta c grale reparation restitution and the politics of memory réparation restitution et les politiques de la mémoire barbe bleue blue beard containing the french text with an english translation enquete parlementaire sur les actes du gouvernement de la defense nationale la sainte bible le guide musical

**İstanbul ile romanya arası uçakla kaç saat sürer kaç km** - Apr 22 2022

web İstanbul ile romanya arası uçakla 0 saat 54 dakika sürmektedir İstanbul romanya arasındaki uçuş mesafesi 638 km dir 638 kilometrelik yol direkt uçuş ile ortalama olarak 700 km h hızla giden bir yolcu uçağı ile yaklaşık 0 saat 54 dakika zaman almaktadır aktarmalı uçuşlarda bu süre biraz daha artabilmektedir uçuşa ait haritayı da aşağıdaki uçuş

**ra c va le moi l inta c grale pdf accounts ceu social** - Aug 07 2023

web unveiling the power of verbal art an psychological sojourn through ra c va le moi l inta c grale in a global inundated with displays and the cacophony of quick communication the profound energy and mental resonance of verbal artistry frequently diminish into obscurity eclipsed by the constant

**ra c va le moi l inta c grale copy phone cholaca** - Jul 26 2022

web 2 ra c va le moi l inta c grale 2021 04 28 scholars from a wide variety of fields such as african linguistics anthropology sociology and gender studies as well as the general reader who wants to learn about an exciting language contact scenario and its outcome le guide musical westview press in medicine the understanding and

**ra c va le moi l inta c grale download only ci kubesail** - Jun 05 2023

web la sainte bible qui contient l ancien et le nouveau testament d après la version de j f ostervald programme d un cours élémentaire de philosophie 3e édition entièrement revue et considérablement augmentée

**İstanbul İlçeleri haritası** - May 24 2022

web İstanbul ilçeleri listesinde ilçenin İstanbul merkezine olan mesafesi ilçe alanı ve rakım değeri gösterilmektedir İstanbul ilçeleri haritasında her pindeki harf ilçe isminin ilk harfidir İlçe İlçe alanı mesafe İlçe rakım adalar 11 km 2 20 km

*ra c va le moi l inta c grale 2023 vpn coinext com - Jun 24 2022*

web ra c va le moi l inta c grale 1 omb no 8760516331572 ra c va le moi l inta c grale the collected letters of joseph conrad the freshmen grand dictionnaire universel du xixe siecle francais a z 1805 76 gender based differences in exposure to and usage of camfranglais in yaoundé

ra c va le moi l inta c grale copy uniport edu - Nov 29 2022

web oct 7 2023 ra c va le moi l inta c grale 1 1 downloaded from uniport edu ng on october 7 2023 by guest ra c va le moi l inta c grale eventually you will unconditionally discover a other experience and triumph by spending more cash yet when pull off you say yes that you require to get those all needs with having significantly cash why dont you