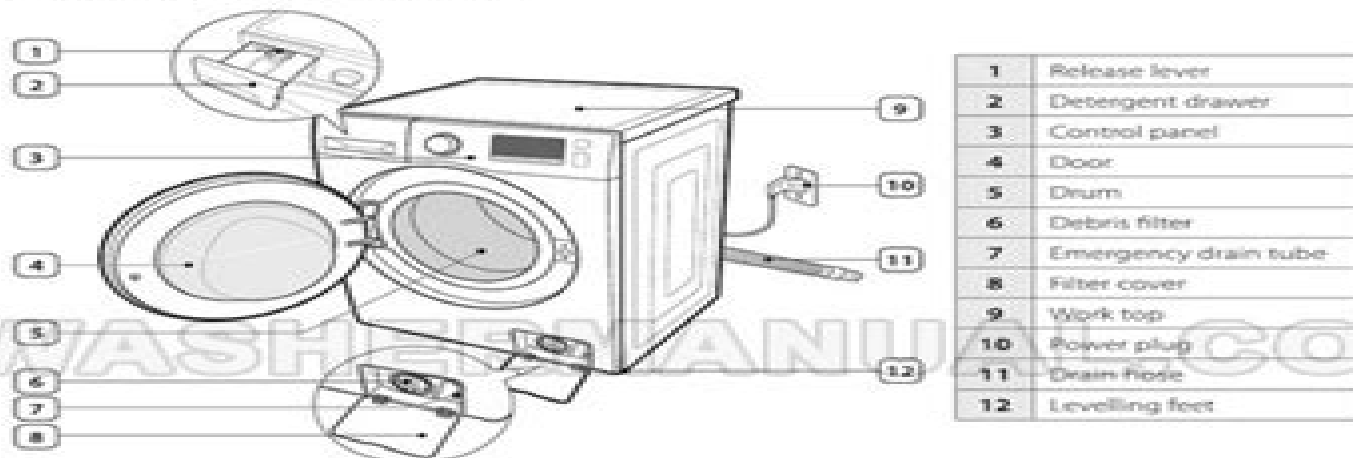


■ Setting up your washing machine

Be sure to have your installer follow these instructions closely so that your new washing machine works properly, and that you're not at risk of injury when doing laundry.

Checking the parts

Carefully unpack your washing machine, and make sure you've received all of the parts shown below. If your washing machine was damaged during shipping or if you do not have all of the parts, contact the Samsung Customer Service or your Samsung dealer.



 **Bolt hole covers *** : The number of bolt hole covers depends on the model (3 to 5 covers).

Samsung Washing Repair Manual

Christian Drosten



Samsung Washing Repair Manual:

Reviewing **Samsung Washing Repair Manual**: Unlocking the Spellbinding Force of Linguistics

In a fast-paced world fueled by information and interconnectivity, the spellbinding force of linguistics has acquired newfound prominence. Its capacity to evoke emotions, stimulate contemplation, and stimulate metamorphosis is truly astonishing. Within the pages of "**Samsung Washing Repair Manual**," an enthralling opus penned by a highly acclaimed wordsmith, readers attempt an immersive expedition to unravel the intricate significance of language and its indelible imprint on our lives. Throughout this assessment, we shall delve in to the book is central motifs, appraise its distinctive narrative style, and gauge its overarching influence on the minds of its readers.

https://crm.avenza.com/files/detail/index.jsp/poppy_cock_popcorn_recipe.pdf

Table of Contents Samsung Washing Repair Manual

1. Understanding the eBook Samsung Washing Repair Manual
 - The Rise of Digital Reading Samsung Washing Repair Manual
 - Advantages of eBooks Over Traditional Books
2. Identifying Samsung Washing Repair Manual
 - Exploring Different Genres
 - Considering Fiction vs. Non-Fiction
 - Determining Your Reading Goals
3. Choosing the Right eBook Platform
 - Popular eBook Platforms
 - Features to Look for in an Samsung Washing Repair Manual
 - User-Friendly Interface
4. Exploring eBook Recommendations from Samsung Washing Repair Manual
 - Personalized Recommendations
 - Samsung Washing Repair Manual User Reviews and Ratings
 - Samsung Washing Repair Manual and Bestseller Lists

5. Accessing Samsung Washing Repair Manual Free and Paid eBooks
 - Samsung Washing Repair Manual Public Domain eBooks
 - Samsung Washing Repair Manual eBook Subscription Services
 - Samsung Washing Repair Manual Budget-Friendly Options
6. Navigating Samsung Washing Repair Manual eBook Formats
 - ePub, PDF, MOBI, and More
 - Samsung Washing Repair Manual Compatibility with Devices
 - Samsung Washing Repair Manual Enhanced eBook Features
7. Enhancing Your Reading Experience
 - Adjustable Fonts and Text Sizes of Samsung Washing Repair Manual
 - Highlighting and Note-Taking Samsung Washing Repair Manual
 - Interactive Elements Samsung Washing Repair Manual
8. Staying Engaged with Samsung Washing Repair Manual
 - Joining Online Reading Communities
 - Participating in Virtual Book Clubs
 - Following Authors and Publishers Samsung Washing Repair Manual
9. Balancing eBooks and Physical Books Samsung Washing Repair Manual
 - Benefits of a Digital Library
 - Creating a Diverse Reading Collection Samsung Washing Repair Manual
10. Overcoming Reading Challenges
 - Dealing with Digital Eye Strain
 - Minimizing Distractions
 - Managing Screen Time
11. Cultivating a Reading Routine Samsung Washing Repair Manual
 - Setting Reading Goals Samsung Washing Repair Manual
 - Carving Out Dedicated Reading Time
12. Sourcing Reliable Information of Samsung Washing Repair Manual
 - Fact-Checking eBook Content of Samsung Washing Repair Manual
 - Distinguishing Credible Sources
13. Promoting Lifelong Learning

- Utilizing eBooks for Skill Development
 - Exploring Educational eBooks
14. Embracing eBook Trends
- Integration of Multimedia Elements
 - Interactive and Gamified eBooks

Samsung Washing Repair Manual Introduction

Samsung Washing Repair Manual Offers over 60,000 free eBooks, including many classics that are in the public domain. Open Library: Provides access to over 1 million free eBooks, including classic literature and contemporary works. Samsung Washing Repair Manual Offers a vast collection of books, some of which are available for free as PDF downloads, particularly older books in the public domain. Samsung Washing Repair Manual : This website hosts a vast collection of scientific articles, books, and textbooks. While it operates in a legal gray area due to copyright issues, its a popular resource for finding various publications. Internet Archive for Samsung Washing Repair Manual : Has an extensive collection of digital content, including books, articles, videos, and more. It has a massive library of free downloadable books. Free-eBooks Samsung Washing Repair Manual Offers a diverse range of free eBooks across various genres. Samsung Washing Repair Manual Focuses mainly on educational books, textbooks, and business books. It offers free PDF downloads for educational purposes. Samsung Washing Repair Manual Provides a large selection of free eBooks in different genres, which are available for download in various formats, including PDF. Finding specific Samsung Washing Repair Manual, especially related to Samsung Washing Repair Manual, might be challenging as theyre often artistic creations rather than practical blueprints. However, you can explore the following steps to search for or create your own Online Searches: Look for websites, forums, or blogs dedicated to Samsung Washing Repair Manual, Sometimes enthusiasts share their designs or concepts in PDF format. Books and Magazines Some Samsung Washing Repair Manual books or magazines might include. Look for these in online stores or libraries. Remember that while Samsung Washing Repair Manual, sharing copyrighted material without permission is not legal. Always ensure youre either creating your own or obtaining them from legitimate sources that allow sharing and downloading. Library Check if your local library offers eBook lending services. Many libraries have digital catalogs where you can borrow Samsung Washing Repair Manual eBooks for free, including popular titles. Online Retailers: Websites like Amazon, Google Books, or Apple Books often sell eBooks. Sometimes, authors or publishers offer promotions or free periods for certain books. Authors Website Occasionally, authors provide excerpts or short stories for free on their websites. While this might not be the Samsung Washing Repair Manual full book , it can give you a taste of the authors writing style. Subscription Services Platforms like Kindle Unlimited or Scribd offer subscription-based access to a wide range of

Samsung Washing Repair Manual eBooks, including some popular titles.

FAQs About Samsung Washing Repair Manual Books

What is a Samsung Washing Repair Manual PDF? A PDF (Portable Document Format) is a file format developed by Adobe that preserves the layout and formatting of a document, regardless of the software, hardware, or operating system used to view or print it. **How do I create a Samsung Washing Repair Manual PDF?** There are several ways to create a PDF: Use software like Adobe Acrobat, Microsoft Word, or Google Docs, which often have built-in PDF creation tools. Print to PDF: Many applications and operating systems have a "Print to PDF" option that allows you to save a document as a PDF file instead of printing it on paper. Online converters: There are various online tools that can convert different file types to PDF. **How do I edit a Samsung Washing Repair Manual PDF?** Editing a PDF can be done with software like Adobe Acrobat, which allows direct editing of text, images, and other elements within the PDF. Some free tools, like PDFescape or Smallpdf, also offer basic editing capabilities. **How do I convert a Samsung Washing Repair Manual PDF to another file format?** There are multiple ways to convert a PDF to another format: Use online converters like Smallpdf, Zamzar, or Adobe Acrobats export feature to convert PDFs to formats like Word, Excel, JPEG, etc. Software like Adobe Acrobat, Microsoft Word, or other PDF editors may have options to export or save PDFs in different formats. **How do I password-protect a Samsung Washing Repair Manual PDF?** Most PDF editing software allows you to add password protection. In Adobe Acrobat, for instance, you can go to "File" -> "Properties" -> "Security" to set a password to restrict access or editing capabilities. Are there any free alternatives to Adobe Acrobat for working with PDFs? Yes, there are many free alternatives for working with PDFs, such as: LibreOffice: Offers PDF editing features. PDFsam: Allows splitting, merging, and editing PDFs. Foxit Reader: Provides basic PDF viewing and editing capabilities. How do I compress a PDF file? You can use online tools like Smallpdf, ILovePDF, or desktop software like Adobe Acrobat to compress PDF files without significant quality loss. Compression reduces the file size, making it easier to share and download. Can I fill out forms in a PDF file? Yes, most PDF viewers/editors like Adobe Acrobat, Preview (on Mac), or various online tools allow you to fill out forms in PDF files by selecting text fields and entering information. Are there any restrictions when working with PDFs? Some PDFs might have restrictions set by their creator, such as password protection, editing restrictions, or print restrictions. Breaking these restrictions might require specific software or tools, which may or may not be legal depending on the circumstances and local laws.

Find Samsung Washing Repair Manual :

poppy cock popcorn recipe

[pontiac montana rear power diagram](#)

[polly and her neighbor punishing polly book 1](#)

[poltergeister und professoren afaber den zustand der parapsychologie](#)

politique et religion la grande mutation

[pontiac bonneville cooling and heating system diagram](#)

[pontiac g6 service airbag message](#)

pollyanna grows up

pontiac vibe body repair manual

[policy procedure manual template](#)

[pontiac montana air conditioning system diagram](#)

[polycom rmx 2000 user manual](#)

[police manual part 3](#)

polycom soundstation ex user guide

[pooled ink celebrating the 2014 ncw contest winners](#)

Samsung Washing Repair Manual :

Toyota Coaster Service Repair Manuals | Free Pdf Free Online Pdf for Toyota Coaster Workshop Manuals , Toyota Coaster OEM Repair Manuals, Toyota Coaster Shop Manuals, Toyota Coaster Electrical Wiring ... Toyota Coaster Manuals Toyota Coaster Upload new manual ... land cruiser coaster 1hd ft engine repair manual.pdf, French, 16.1 MB, 258. Coaster, toyota trucks service manual.pdf ... Toyota Coaster Bus Diesel And Petrol Engines PDF ... Workshop Repair Manual is a rare collection of original OEM Toyota Factory workshop manuals produced for the Toyota Coaster, Land Cruiser, Hino & Dutro. Now ... Toyota COASTER Manuals Manuals and User Guides for Toyota COASTER. We have 1 Toyota COASTER manual available for free PDF download: Owner's Manual ... Toyota Coaster repair manual for chassis & body Toyota Coaster repair manual for chassis & body | WorldCat.org. Repair manuals and video tutorials on TOYOTA COASTER TOYOTA COASTER PDF service and repair manuals with illustrations · Manuf. year (from - to): (08/1977 - 04/1982) · Car body type: Bus · Power (HP): 76 - 98 ... TOYOTA Coaster 1982-90 Workshop Manual TOYOTA Coaster B20 and B30 Series 1982-1990 Comprehensive Workshop Manual. PDF DOWNLOAD. With easy step by step instructions for the DIY mechanic or ... TOYOTA COASTER BUS

1982 1983 1984 1985 REPAIR ... Manual Transmission. - Service Specifications. - Body Electrical. - Restraint System. - Suspension & Axle. - Propeller Shaft. - Transfer Case. User manual Toyota Coaster (2012) (English - 186 pages) The Coaster is powered by a diesel engine, providing ample torque and fuel efficiency. It features a seating capacity of 21 passengers, making it ideal for ... Senior Probation Officer Csea Booklets (2022) Senior Probation Officer Csea Booklets. 1. Senior Probation Officer Csea Booklets. Senior Probation Officer Csea Booklets. Downloaded from ai-neo.uw.edu by. Senior Probation Officer Csea Booklets Oct 24, 2023 — It will totally ease you to see guide senior probation officer csea booklets as you such as. ... senior probation officer csea booklets ... CIVIL SERVICE TEST PREP Prepare for your civil service examination with free Civil Service Test Preparation Booklets, online courses and civil service test preparation workshops. #75822 PROBATION OFFICER 2/SENIOR ... DISTINGUISHING FEATURES OF THE CLASS: This is a senior level professional position in a probation department responsible for the control, supervision and care ... Probation and Parole Series The written tests for the entry-level titles of the Probation and Parole Series will cover the following subject areas: 1. PRINCIPLES AND PRACTICES OF OFFENDER ... DEPARTMENT OF HUMAN RESOURCES Study Guide ... This guide was developed to help you prepare to take the written examination for. Senior Probation Officer. It contains general test-taking advice and also ... Test guides - NYS Civil Service - New York State No information is available for this page. Probation Supervisor I | Erie County Civil Service ... Apr 17, 2019 — Examples of Duties: A Probation Supervisor I supervises the activities of four to seven Probation Officer Trainees, Probation Officers 1 or 2/ ... Study Guides Study Guides. Paper copies of the study guides are available at the Human Resources Department. ... Senior Stenographer/Senior Typist · Social Welfare Examiner ... The 7 Secrets of World Class Athletes by Yellin, Steven Great book about controlling your brain thought process to become a great athlete in any sport including golf. The only issue I had with the book is it ... The 7 Secrets of World Class Athletes by Steven Yellin ... This is a brilliant book. It ties together much of what I've surmised about superior performance and what contributes to it. In addition, the book also sheds ... The 7 Secrets of World Class Athletes The 7 Secrets of World Class Athletes takes you into the minds of super-star athletes when they are on top of their game. The fascinating concept is that ... The 7 Secrets of World Class Athletes The 7 Secrets of World Class Athletes takes you into the minds of super-star athletes when they are on top of their game. The fascinating concept is that ... The 7 Secrets of World Class Athletes - Yellin, Steven The 7 Secrets of World Class Athletes takes you into the minds of super-star athletes when they are on top of their game. The fascinating concept is that ... The 7 Secrets of World Class Athletes The 7 Secrets of World Class Athletes takes you into the minds of super-star athletes when they are on top of their game. The fascinating concept is that ... The 7 Secrets of World Class Athletes, Biancalana, Budd Author:Biancalana, Buddy. The 7 Secrets of World Class Athletes. Book Binding:Paperback / softback. Book Condition:GOOD. Year Published:0630. The 7 secrets of world class athletes : Yellin, Steven, author Apr 14, 2021 — 192 pages ; 21 cm. First secret: The fluid motion factor -- Second secret: Sports as a series of

gaps -- Third secret: The quality of the ... The 7 Secrets of World Class Athletes Synopsis: The 7 Secrets of World Class Athletes takes you into the minds of super-star athletes when they are on top of their game. The fascinating concept is ... The 7 Secrets of World Class Athletes by Buddy Biancalana The 7 Secrets of World Class Athletes by Buddy Biancalana: New ; Item Number. 363415436080 ; Publication Date. 2010-06-30 ; Pages. 198 ; Accurate description. 4.9.