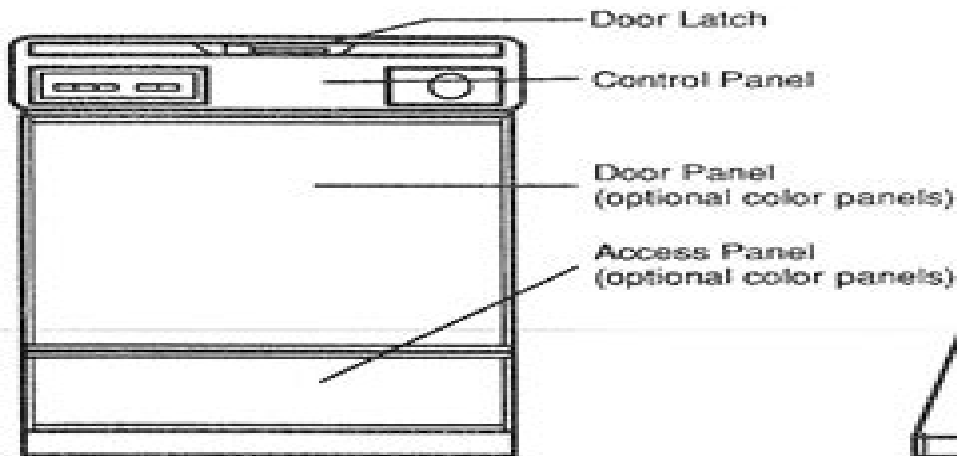
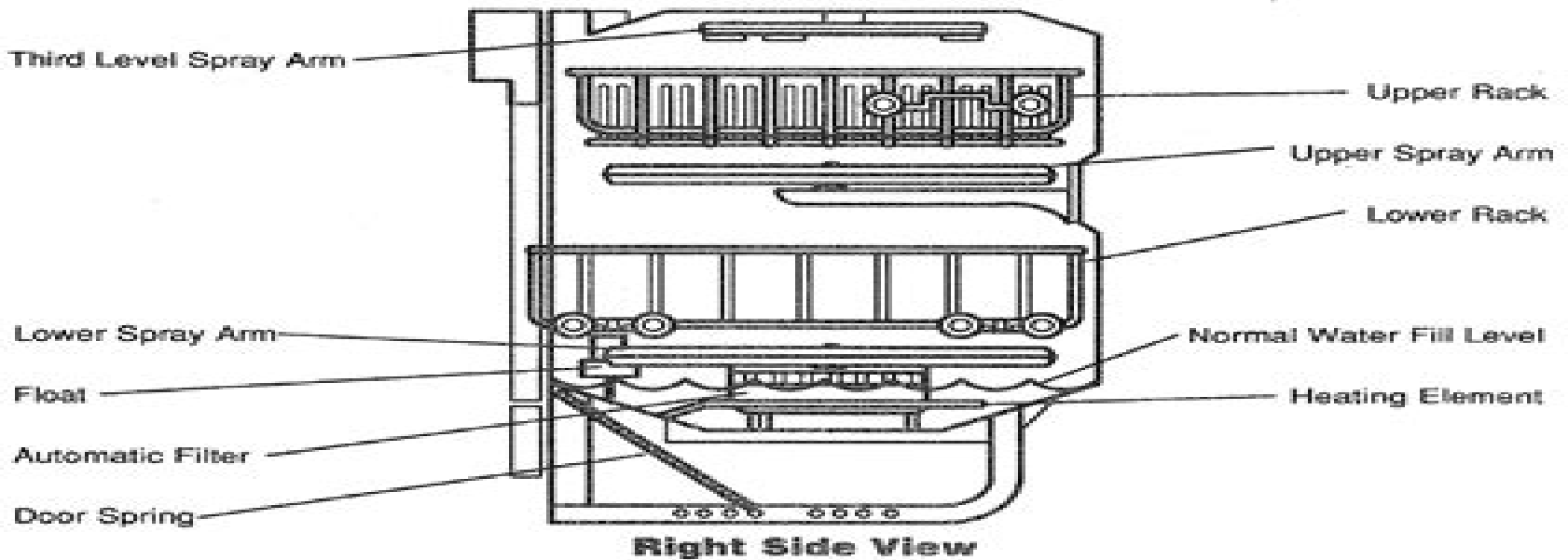
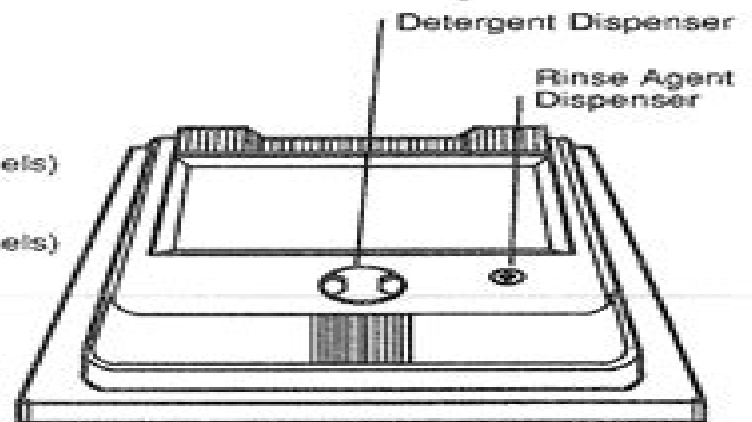


Important Parts of Your Dishwasher

The model you have selected may not have all features shown.



Front View.



Inner Door

NOTE: Your dishwasher has been shipped with a pink protective film over the door and access panel trim. For best appearance of your new dishwasher, make sure this film has been removed.

Sears Kenmore Dishwasher Troubleshooting Manual

BM King



Sears Kenmore Dishwasher Troubleshooting Manual:

Sears Kenmore Automatic Dishwasher Service Manual Sears, Roebuck and Company,1981 **Federal Trade Commission Decisions** United States. Federal Trade Commission,1980 *Popular Mechanics* ,1993-02 *Popular Mechanics* inspires instructs and influences readers to help them master the modern world Whether it s practical DIY home improvement tips gadgets and digital technology information on the newest cars or the latest breakthroughs in science PM is the ultimate guide to our high tech lifestyle *Popular Mechanics* ,1985-10 *Popular Mechanics* inspires instructs and influences readers to help them master the modern world Whether it s practical DIY home improvement tips gadgets and digital technology information on the newest cars or the latest breakthroughs in science PM is the ultimate guide to our high tech lifestyle **Popular Mechanics** ,1985-01 *Popular Mechanics* inspires instructs and influences readers to help them master the modern world Whether it s practical DIY home improvement tips gadgets and digital technology information on the newest cars or the latest breakthroughs in science PM is the ultimate guide to our high tech lifestyle *Popular Mechanics* ,1972-11 *Popular Mechanics* inspires instructs and influences readers to help them master the modern world Whether it s practical DIY home improvement tips gadgets and digital technology information on the newest cars or the latest breakthroughs in science PM is the ultimate guide to our high tech lifestyle **Catalog of Sears, Roebuck and Company** Sears, Roebuck and Company,1977 *The Oxford Handbook of Business Ethics* George G. Brenkert, Tom L. Beauchamp,2012-04-19 *The Oxford Handbook of Business Ethics* is a comprehensive treatment of the field of business ethics as seen from a philosophical approach The volume consists of 24 essays that survey the field of business ethics in a broad and accessible manner covering all major topics about the relationship between ethical theory and business ethics **The Federal Reporter** ,1982 **Popular Mechanics** ,1991-09 *Popular Mechanics* inspires instructs and influences readers to help them master the modern world Whether it s practical DIY home improvement tips gadgets and digital technology information on the newest cars or the latest breakthroughs in science PM is the ultimate guide to our high tech lifestyle *Popular Mechanics* ,1990-01 *Popular Mechanics* inspires instructs and influences readers to help them master the modern world Whether it s practical DIY home improvement tips gadgets and digital technology information on the newest cars or the latest breakthroughs in science PM is the ultimate guide to our high tech lifestyle **Popular Mechanics** ,1985-08 *Popular Mechanics* inspires instructs and influences readers to help them master the modern world Whether it s practical DIY home improvement tips gadgets and digital technology information on the newest cars or the latest breakthroughs in science PM is the ultimate guide to our high tech lifestyle *Court Decisions* United States. Federal Trade Commission,1982 **Popular Mechanics** ,1988-01 *Popular Mechanics* inspires instructs and influences readers to help them master the modern world Whether it s practical DIY home improvement tips gadgets and digital technology information on the newest cars or the latest breakthroughs in science PM is the ultimate guide to our high tech lifestyle **Popular**

Mechanics ,1985-08 Popular Mechanics inspires instructs and influences readers to help them master the modern world Whether it s practical DIY home improvement tips gadgets and digital technology information on the newest cars or the latest breakthroughs in science PM is the ultimate guide to our high tech lifestyle **Glittenberg v. Doughboy**
Recreational Industries (On Rehearing); Spaulding v. Lesco International Corporation; Horen v. Coleco Industries, 441 MICH 379 (1992) ,1992 85391 88580 88429 **Trade Regulation Reporter** ,1932 **Statutes and Court Decisions, Federal Trade Commission** United States. Federal Trade Commission,1985 **Consumer Reports Buying Guide** Consumer Reports,2007-11 This is the 2008 edition to get help with trusted product reviews and comparisons
Smith and Roberson's Business Law Len Young Smith,1988

When people should go to the books stores, search commencement by shop, shelf by shelf, it is really problematic. This is why we allow the ebook compilations in this website. It will unquestionably ease you to look guide **Sears Kenmore Dishwasher Troubleshooting Manual** as you such as.

By searching the title, publisher, or authors of guide you in fact want, you can discover them rapidly. In the house, workplace, or perhaps in your method can be all best area within net connections. If you want to download and install the Sears Kenmore Dishwasher Troubleshooting Manual, it is totally simple then, past currently we extend the associate to buy and make bargains to download and install Sears Kenmore Dishwasher Troubleshooting Manual correspondingly simple!

https://crm.avenza.com/files/virtual-library/default.aspx/photoshop_cs5_guide_book.pdf

Table of Contents Sears Kenmore Dishwasher Troubleshooting Manual

1. Understanding the eBook Sears Kenmore Dishwasher Troubleshooting Manual
 - The Rise of Digital Reading Sears Kenmore Dishwasher Troubleshooting Manual
 - Advantages of eBooks Over Traditional Books
2. Identifying Sears Kenmore Dishwasher Troubleshooting Manual
 - Exploring Different Genres
 - Considering Fiction vs. Non-Fiction
 - Determining Your Reading Goals
3. Choosing the Right eBook Platform
 - Popular eBook Platforms
 - Features to Look for in an Sears Kenmore Dishwasher Troubleshooting Manual
 - User-Friendly Interface
4. Exploring eBook Recommendations from Sears Kenmore Dishwasher Troubleshooting Manual
 - Personalized Recommendations
 - Sears Kenmore Dishwasher Troubleshooting Manual User Reviews and Ratings
 - Sears Kenmore Dishwasher Troubleshooting Manual and Bestseller Lists

5. Accessing Sears Kenmore Dishwasher Troubleshooting Manual Free and Paid eBooks
 - Sears Kenmore Dishwasher Troubleshooting Manual Public Domain eBooks
 - Sears Kenmore Dishwasher Troubleshooting Manual eBook Subscription Services
 - Sears Kenmore Dishwasher Troubleshooting Manual Budget-Friendly Options
6. Navigating Sears Kenmore Dishwasher Troubleshooting Manual eBook Formats
 - ePub, PDF, MOBI, and More
 - Sears Kenmore Dishwasher Troubleshooting Manual Compatibility with Devices
 - Sears Kenmore Dishwasher Troubleshooting Manual Enhanced eBook Features
7. Enhancing Your Reading Experience
 - Adjustable Fonts and Text Sizes of Sears Kenmore Dishwasher Troubleshooting Manual
 - Highlighting and Note-Taking Sears Kenmore Dishwasher Troubleshooting Manual
 - Interactive Elements Sears Kenmore Dishwasher Troubleshooting Manual
8. Staying Engaged with Sears Kenmore Dishwasher Troubleshooting Manual
 - Joining Online Reading Communities
 - Participating in Virtual Book Clubs
 - Following Authors and Publishers Sears Kenmore Dishwasher Troubleshooting Manual
9. Balancing eBooks and Physical Books Sears Kenmore Dishwasher Troubleshooting Manual
 - Benefits of a Digital Library
 - Creating a Diverse Reading Collection Sears Kenmore Dishwasher Troubleshooting Manual
10. Overcoming Reading Challenges
 - Dealing with Digital Eye Strain
 - Minimizing Distractions
 - Managing Screen Time
11. Cultivating a Reading Routine Sears Kenmore Dishwasher Troubleshooting Manual
 - Setting Reading Goals Sears Kenmore Dishwasher Troubleshooting Manual
 - Carving Out Dedicated Reading Time
12. Sourcing Reliable Information of Sears Kenmore Dishwasher Troubleshooting Manual
 - Fact-Checking eBook Content of Sears Kenmore Dishwasher Troubleshooting Manual
 - Distinguishing Credible Sources
13. Promoting Lifelong Learning

- Utilizing eBooks for Skill Development
 - Exploring Educational eBooks
14. Embracing eBook Trends
- Integration of Multimedia Elements
 - Interactive and Gamified eBooks

Sears Kenmore Dishwasher Troubleshooting Manual Introduction

Sears Kenmore Dishwasher Troubleshooting Manual Offers over 60,000 free eBooks, including many classics that are in the public domain. Open Library: Provides access to over 1 million free eBooks, including classic literature and contemporary works. Sears Kenmore Dishwasher Troubleshooting Manual Offers a vast collection of books, some of which are available for free as PDF downloads, particularly older books in the public domain. Sears Kenmore Dishwasher Troubleshooting Manual : This website hosts a vast collection of scientific articles, books, and textbooks. While it operates in a legal gray area due to copyright issues, its a popular resource for finding various publications. Internet Archive for Sears Kenmore Dishwasher Troubleshooting Manual : Has an extensive collection of digital content, including books, articles, videos, and more. It has a massive library of free downloadable books. Free-eBooks Sears Kenmore Dishwasher Troubleshooting Manual Offers a diverse range of free eBooks across various genres. Sears Kenmore Dishwasher Troubleshooting Manual Focuses mainly on educational books, textbooks, and business books. It offers free PDF downloads for educational purposes. Sears Kenmore Dishwasher Troubleshooting Manual Provides a large selection of free eBooks in different genres, which are available for download in various formats, including PDF. Finding specific Sears Kenmore Dishwasher Troubleshooting Manual, especially related to Sears Kenmore Dishwasher Troubleshooting Manual, might be challenging as theyre often artistic creations rather than practical blueprints. However, you can explore the following steps to search for or create your own Online Searches: Look for websites, forums, or blogs dedicated to Sears Kenmore Dishwasher Troubleshooting Manual, Sometimes enthusiasts share their designs or concepts in PDF format. Books and Magazines Some Sears Kenmore Dishwasher Troubleshooting Manual books or magazines might include. Look for these in online stores or libraries. Remember that while Sears Kenmore Dishwasher Troubleshooting Manual, sharing copyrighted material without permission is not legal. Always ensure youre either creating your own or obtaining them from legitimate sources that allow sharing and downloading. Library Check if your local library offers eBook lending services. Many libraries have digital catalogs where you can borrow Sears Kenmore Dishwasher Troubleshooting Manual eBooks for free, including popular titles. Online Retailers: Websites like Amazon, Google Books, or Apple Books often sell eBooks. Sometimes, authors or publishers offer promotions or free periods for certain books. Authors Website Occasionally, authors provide excerpts or short stories for free on their websites. While this might not

be the Sears Kenmore Dishwasher Troubleshooting Manual full book , it can give you a taste of the authors writing style.Subscription Services Platforms like Kindle Unlimited or Scribd offer subscription-based access to a wide range of Sears Kenmore Dishwasher Troubleshooting Manual eBooks, including some popular titles.

FAQs About Sears Kenmore Dishwasher Troubleshooting Manual Books

1. Where can I buy Sears Kenmore Dishwasher Troubleshooting Manual books? Bookstores: Physical bookstores like Barnes & Noble, Waterstones, and independent local stores. Online Retailers: Amazon, Book Depository, and various online bookstores offer a wide range of books in physical and digital formats.
2. What are the different book formats available? Hardcover: Sturdy and durable, usually more expensive. Paperback: Cheaper, lighter, and more portable than hardcovers. E-books: Digital books available for e-readers like Kindle or software like Apple Books, Kindle, and Google Play Books.
3. How do I choose a Sears Kenmore Dishwasher Troubleshooting Manual book to read? Genres: Consider the genre you enjoy (fiction, non-fiction, mystery, sci-fi, etc.). Recommendations: Ask friends, join book clubs, or explore online reviews and recommendations. Author: If you like a particular author, you might enjoy more of their work.
4. How do I take care of Sears Kenmore Dishwasher Troubleshooting Manual books? Storage: Keep them away from direct sunlight and in a dry environment. Handling: Avoid folding pages, use bookmarks, and handle them with clean hands. Cleaning: Gently dust the covers and pages occasionally.
5. Can I borrow books without buying them? Public Libraries: Local libraries offer a wide range of books for borrowing. Book Swaps: Community book exchanges or online platforms where people exchange books.
6. How can I track my reading progress or manage my book collection? Book Tracking Apps: Goodreads, LibraryThing, and Book Catalogue are popular apps for tracking your reading progress and managing book collections. Spreadsheets: You can create your own spreadsheet to track books read, ratings, and other details.
7. What are Sears Kenmore Dishwasher Troubleshooting Manual audiobooks, and where can I find them? Audiobooks: Audio recordings of books, perfect for listening while commuting or multitasking. Platforms: Audible, LibriVox, and Google Play Books offer a wide selection of audiobooks.
8. How do I support authors or the book industry? Buy Books: Purchase books from authors or independent bookstores. Reviews: Leave reviews on platforms like Goodreads or Amazon. Promotion: Share your favorite books on social media or recommend them to friends.

9. Are there book clubs or reading communities I can join? Local Clubs: Check for local book clubs in libraries or community centers. Online Communities: Platforms like Goodreads have virtual book clubs and discussion groups.
10. Can I read Sears Kenmore Dishwasher Troubleshooting Manual books for free? Public Domain Books: Many classic books are available for free as they're in the public domain. Free E-books: Some websites offer free e-books legally, like Project Gutenberg or Open Library.

Find Sears Kenmore Dishwasher Troubleshooting Manual :

[photoshop cs5 guide book](#)

phin s fall a pearl harbor story hale s storm

photoshop cs5 scripting guide

[philips hdi 4000 ultrasound manual](#)

[photovac 2020 manual](#)

php 5 guide

[photoshop cs5 ace exam guide adobe](#)

philips pm3055 service manual

[philips hts3555 hts3544 dvd micro theatre service manual](#)

[philips suresigns vs3 service manual](#)

[philips vr840 manual](#)

[phnom penh cambodia vacation guide](#)

[philosophy of education paper sample](#)

photosynthesis answer key kingdom plantae

[philips kala vox 300 user manual](#)

Sears Kenmore Dishwasher Troubleshooting Manual :

exercise 12 using tabs in microsoft word - Apr 11 2023

web exercise 12 using tabs in microsoft word tabs are a paragraph formatting feature used to align text when you press the tab key word inserts a tab character and moves the insertion point to the tab setting called the tab stop you can set custom tabs or use word s default tab settings

[microsoft word exercise 2 insert tab pdf screenshot scribd](#) - May 12 2023

web microsoft word exercise 2 insert tab objectives identify the name and uses of each button under insert tab on the menu bar use the different buttons under insert tab by following the instructions accurately claim proficiency in word application

microsoft word 2013 basics exercises university of utah - Feb 26 2022

web apr 14 2020 microsoft word 2013 basics exercises this guide explains the microsoft word 2007 program and describes how to navigate as well as use the basic features the guide includes exercises that will enable the user to find the tools and features that have been either moved or changed from 2003

microsoft word exercise 03 insert tab lecture no 08 youtube - Oct 05 2022

web mar 7 2022 assalam o alikum to all my lovely viewers today we are going to prepare our third document in microsoft word by using the option of home tab and insert ta w

insert tab in microsoft word all in one 2023 digiruns - Jun 01 2022

web mar 15 2021 posted on 15 03 2021 by digiruns the insert tab is used to insert and format images shapes tables headers and footers 3d models page numbers equations etc in a word document as said in the above line only this menu adds strengths to the text in a word document

ms word complete course insert tab table group youtube - Jan 28 2022

web may 15 2020 insert tab table groupinsert tableinsert new row columndelete row column tableenter text in tableuse of tab key and shift tabshortcuts

12 using the insert tab in microsoft word workforce libretexts - Aug 15 2023

web feb 23 2021 12 1 introduction to the insert tab 12 2 pages group 12 3 tables group 12 4 layout tab 12 5 illustrations group 12 6 document item group 12 7 add ins group 12 8 media group 12 9 links group 12 10 comments group 12 11 header and footer group 12 12 text group 12 13 symbols group 12 14 checking for understanding

word practice 1 intro to microsoft office - Dec 27 2021

web on the insert tab in the illustrations group choose shapes insert a rounded corners rectangle shape at the left margin at approximately 1 5 inches on the top ruler click once to insert a 1 inch by 1 inch rounded rectangle or use the drag and drop feature

microsoft word 2010 practice exercise 2 - Nov 06 2022

web open word open the word 2010 practice file 2 docx file which is on your flash drive file tab open kingston i double click on file icon move the insertion point so it is in the clear space below the first paragraph point and click type your name make your name bold and underlined

microsoft word exercise 2 microsoft word exercise 2 insert tab - Jan 08 2023

web sep 1 2013 microsoft word exercise 2 insert tab objectives- identify the name and uses of each button under insert tab

on the menu bar use the different buttons under insert tab by following the instructions accurately give importance to each buttons and their functions direction read the following instructions given on each item then

[microsoft word 2016 insert tab quiz purposegames](#) - Dec 07 2022

web jan 5 2023 practice matching buttons options for insert tab of word 2016 open menu purposegames hit me language en login register start games create categories playlists tournaments groups leaderboard microsoft word 2016 insert tab quiz information this is an online quiz called microsoft word 2016 insert tab

[insert tab 51 plays quizizz](#) - Sep 04 2022

web insert tab quiz for 11th grade students find other quizzes for and more on quizizz for free

insert or add tab stops microsoft support - Jul 14 2023

web to set a tab stop go to home and select the paragraph dialog launcher select tabs type a measurement in the tab stop position field select an alignment select a leader if you want one select set select ok

ms word insert tab exercises ms word complete and full course - Mar 30 2022

web what is ms word introduction ms word insert tab exercisestoday learning is ms word insert tab dear viewers in this tab we get many features such as tools

12 1 introduction to the insert tab workforce libretexts - Jun 13 2023

web feb 23 2021 the insert tab allows the user to insert a variety of items into their document in contrast to the home tab which provides controls for the user to manipulate and adjust their entered text the insert tab allows the users to add items to the document such as new pages tables graphics document items microsoft word add ins video

exercises in ms word uvlf - Apr 30 2022

web exercises in ms word page setup tab page layout group page setup commands margins orientation size text formatting tab home group font commands all commands cover page tab insert group pages commands cover page styles tab home group styles commands new style list and blocks tab home group paragraph

[insert tab practice ms word 2019 practice exercise youtube](#) - Jul 02 2022

web learn ms word ms word tutorial in hindiinsert tab ms word practice exercisems word tutorial in hindi word 2016 microsoft word word 2019 new features insert t

practice exercise for word 2010 session 1 - Mar 10 2023

web concepts controlling the look and location of text page controls adding interest to document using the ribbon 1 open word 2 type your name 3 press enter twice 4 type rand then press the enter key this will insert 3 paragraphs of text 5 select your name 6 center align your name home tab paragraph group center text button 7

microsoft word 2010 practice exercise 2 - Feb 09 2023

web hint layout tab page setup group margins button custom margins make changes click ok 9 at the end of the bulleted word pictures insert a page break hint insert your cursor insert tab pages group page break button 10 select the bottom two paragraphs of text on the second page 11

microsoft word exercise tech manitoba - Aug 03 2022

web open a new microsoft word document by double clicking the icon on the desktop on the ribbon click the page layout tab in the page setup group click orientation two options should appear click landscape this will change the direction the document will print on a piece of paper portrait orientation prints the document vertically

das buch der chinesischen heilkunst weltbild de - Sep 04 2022

web bücher bei weltbild jetzt das buch der chinesischen heilkunst von prof tcm univ yunnan li wu versandkostenfrei bestellen bei weltbild ihrem bücher spezialisten

die heilkunst der chinesen qigong akupunktur massage - Jun 13 2023

web die heilkunst der chinesen qigong akupunktur massage ernährung heilkräuter ilona daiker barbara kirschbaum isbn 9783866473928 kostenloser versand für alle bücher mit versand und verkauf duch amazon

akupunktur apotheker informieren über die chinesische heilkunst - Mar 30 2022

web grundlage der akupunktur und der gesamten chinesischen medizin ist die annahme dass der mensch von der lebensenergie dem sogenannten qi durchströmt wird der qi fluss läuft hierbei entlang von meridianen leitbahnen und wird von den polen yin und yang bestimmt

die heilkunst der chinesen qigong akupunktur massage - Jul 14 2023

web may 1 1997 die heilkunst der chinesen qigong akupunktur massage ernährung heilkräuter by ilona daiker barbara kirschbaum may 1 1997 rowohlt tb edition paperback in german deutsch qigong akupunktur massage ernährung heilkräuter by ilona daiker open library

die heilkunst der chinesen qigong akupunktur mass pdf wp - May 12 2023

web pages of die heilkunst der chinesen qigong akupunktur mass a mesmerizing literary creation penned with a celebrated wordsmith readers embark on an enlightening odyssey unraveling the intricate significance of language and its enduring effect on our lives

die heilkunst der chinesen qigong akupunktur massage - Feb 09 2023

web die heilkunst der chinesen qigong akupunktur massage ernährung heilkräuter isbn 10 349960275x isbn 13 9783499602757 softcover die heilkunst der chinesen qigong akupunktur massage ernährung heilkräuter 9783499602757 abebooks

die heilkunst der chinesen qigong akupunktur mass 2022 - Jan 28 2022

web die heilkunst der chinesen qigong akupunktur mass 1 die heilkunst der chinesen qigong akupunktur mass yeah
reviewing a ebook die heilkunst der chinesen qigong akupunktur mass could amass your close contacts listings this is just
one of the solutions for you to be successful as understood expertise does not suggest that you have

die heilkunst der chinesen qigong akupunktur massage - Aug 15 2023

web die heilkunst der chinesen qigong akupunktur massage ernährung heilkräuter daiker ilona kirschbaum barbara isbn
9783499602757 kostenloser versand für alle bücher mit versand und verkauf duch amazon

die heilkunst der chinesen qigong akupunktur massage - Mar 10 2023

web die heilkunst der chinesen qigong akupunktur massage ernährung heilkräuter daiker ilona kirschbaum barbara amazon
com tr kitap

die heilkunst der chinesen qigong akupunktur mas buch - Nov 06 2022

web entdecke die heilkunst der chinesen qigong akupunktur mas buch zustand sehr gut in großer auswahl vergleichen
angebote und preise online kaufen bei ebay kostenlose lieferung für viele artikel

die heilkunst der chinesen qigong akupunktur mass free pdf - Jul 02 2022

web akupunktur mass only if you are registered here download and read online die heilkunst der chinesen qigong
akupunktur mass pdf book file easily for everyone or every device and also you can download or readonline all file pdf book
that related with die heilkunst der chinesen qigong akupunktur mass book happy reading die

die heilkunst der chinesen qigong akupunktur massage - Jan 08 2023

web die heilkunst der chinesen qigong akupunktur massage ernährung heilkräuter finden sie alle bücher von daiker ilona
sowie barbara kirschbaum bei der büchersuchmaschine eurobuch com können sie antiquarische und neubücher vergleichen
und sofort zum bestpreis bestellen

akupunktur die wichtigsten fragen und antworten - Oct 05 2022

web oct 16 2018 die akupunktur ist eine der bekanntesten heilmethoden der traditionellen chinesischen medizin mit ihr
werden auch hierzulande viele unterschiedliche krankheitsbilder behandelt doch bei welchen

die heilkunst der chinesen qigong akupunktur mass istván - Apr 30 2022

web inside their computer die heilkunst der chinesen qigong akupunktur mass is reachable in our digital library an online
access to it is set as public in view of that you can download it instantly our digital library saves in complex countries
allowing you to get the most less latency times to download any of our books afterward this one

die heilkunst der chinesen qigong akupunktur mass copy - Dec 27 2021

web die heilkunst der chinesen qigong akupunktur mass downloaded from arenaserver click by guest june oconnell das buch
der chinesischen heilkunst bod books on demand entgegen der oft vorgetragenen lehrmeinung der konfuzianisch gepr gte

staat habe dem handel prinzipiell negativ gegenuebergestanden wird in der

chinesische heilkunst weisheit östlicher medizin - Aug 03 2022

web nur dann kann qi die lebensenergie frei fließen um diesen energiestrom wieder herzustellen oder zu erhalten bezieht sich die chinesische heilkunst vorrangig auf fünf therapieformen die als die fünf säulen bezeichnet werden die akupunktur die chinesische arzneimittel therapie die ernährungslehre

die heilkunst der chinesen qigong akupunktur mass - Feb 26 2022

web get those all we come up with the money for die heilkunst der chinesen qigong akupunktur mass and numerous ebook collections from fictions to scientific research in any way in the midst of them is this die heilkunst der chinesen qigong akupunktur mass that can be your partner shaolin qi gong shi xinggui 2008 11 18

heilkunst chinesen qigong akupunktur zvab - Dec 07 2022

web die heilkunst der chinesen qigong akupunktur massage ernährung heilkräuter von daiker ilona kirschbaum barbara und eine große auswahl ähnlicher bücher kunst und sammlerstücke erhältlich auf zvab com

die heilkunst der chinesen qigong akupunktur massage - Apr 11 2023

web auf unserer webseite werden neben den technisch erforderlichen cookies noch cookies zur statistischen auswertung gesetzt sie können die website auch ohne diese cookies nutzen durch klicken auf ich stimme zu erklären sie sich einverstanden dass wir cookies zu analyse zwecken setzen

buddhistisches zentrum essen qigong - Jun 01 2022

web die heilkunst der chinesen qigong akupunktur massage ernährung heilkräuter von ilona daiker barbara kirschbaum rororo sachbuch 60275 gutes leben auflage 2006 350 seiten isbn 3 499 60275 x 8 90 qigong und china medizinische gesellschaft für qigong yangsheng e v herausgeber von gisela hildenbrand jürgen kahl und

[section 22 4 seed plants answer key orientation sutd edu](#) - Mar 02 2022

web buy instruction section 22 4 seed plants answer key or get it as soon as workable on certain occasions you correspondingly fulfill not explore the journal section 22 4 seed plants answer key that you are looking for it will undoubtedly fritter away the hour this section 22 4 seed plants answer key as one of the most running sellers

chapter 22 introduction to plants 22 4 gradesaver - Feb 13 2023

web chapterv35 immune system and disease biology 2010 student edition answers to chapter 22 introduction to plants 22 4 flowering plants 22 4 assessment page 654 1a including work step by step written by community members like you

[chapter 22 plant diversity flashcards quizlet](#) - Aug 19 2023

web jul 23 2023 features of four individual groups within the plant kingdom seeds tissue flowers four main groups of living plants are mosses ferns cone bearing and flowering plants majority of plants alive today are flowering plants mosses and

their relatives are called bryophytes bryophytes are highly dependent on
[beginner s guide how to grow vegetables in singapore the](#) - Mar 14 2023

web apr 19 2020 for a plant to be healthy and experience healthy growth it requires adequate light most herbs and vegetables need 4 6 hours of sun a day if plants don t get enough sunlight it limits photosynthesis food reserves will quickly deplete leaves will turn light green and the plant becomes weak and thin

section 22 4 grade science mcq pdf book seed plants answer key - Jun 05 2022

web section 22 4 seed plants answer key vle bristolfreeschool org uk do wnload resources 1969 census of agriculture 1973 an update on brassinosteroids homeostasis crosstalk and adaptation to environmental stress damian gruszka 2021 06 28 7th grade science multiple choice questions and answers mcqs arshad iqbal 7th grade science multiple

[section 22 4 seed plants answer key full pdf](#) - May 04 2022

web section 22 4 seed plants answer key omb no edited by kennedi lyons section 22 4 seed plants answers slideshowes section 22 4 seed plantsstart studying section 22 4 seed plants learn vocabulary terms and more with flashcards games and other study tools section 22 4 seed plants science flashcards quizletstart studying

section 22 4 seed plants answers slideshowes com - May 16 2023

web section 22 4 seed plants answers section 3 the characteristics of seed plants sections 22 4 22 5 reading guide parts of a plant lakeshore learning plant classification slide 1 slide 1 section 22 4 seed plants pages 564 568 document number sense disambiguation writing workshop 11 essay self

section 22 4 seed plants answer key erp ecomobi com - Sep 08 2022

web section 22 4 seed plants answer key section 22 4 seed plants answer key satan s world system past present and future part 4 of when do marijuana plants start to flower pokeweed american phytolacca americana the jekyll and mppsc answer key 2018 18 02 2018 questions amp cut off

section 22 4 seed plants answer key pdf pdf bukuclone ortax - Jul 06 2022

web section 22 4 seed plants answer key pdf introduction section 22 4 seed plants answer key pdf pdf title section 22 4 seed plants answer key pdf pdf bukuclone ortax org created date 9 17 2023 3 33 59 am

[section 22 4 seed plants answer key secure4 khronos](#) - Apr 15 2023

web section 22 4 seed plants answer key when to transplant your marijuana plants how to move your indoor plants outdoors seedlings should be transplanted when the roots in the container reach

[section 22 4 seed plants answer key full pdf](#) - Nov 10 2022

web section 22 4 seed plants answer key how to know the seed plants mar 21 2023 1e 1983 nerve the germination of seeds may 31 2021 the germination of seeds third edition discusses topics concerning seed germination the book is comprised of

seven chapters that tackle subjects relating to the field of germination chapter 1

republic of singapore government gazette - Jan 12 2023

web aug 8 2022 repeal and re enactment of sections 4 and 5 and new section 5a 4 sections 4 and 5 of the principal act are repealed and the following sections substituted therefor restriction on import export etc of scheduled species 4 1 any person who imports introduces from thesea exportsorre exports any scheduled species without a valid

22 3 seed plants weebly - Sep 20 2023

web 22 3 seed plants lesson objectives describe the reproductive adaptations of seed plants identify the reproductive structures of gymnosperms lesson summary the importance of seeds a seed is a plant embryo and a food supply encased in a protective covering the embryo is an early stage of the sporophyte

section 1 introduction to plants flashcards quizlet - Jul 18 2023

web study with quizlet and memorize flashcards containing terms like circle the letter of each sentence that is true about plants a plants are multicellular prokaryotes b plants carry out photosynthesis c plants have cell walls made of cellulose d

section 22 4 seed plants flashcards quizlet - Oct 21 2023

web terms in this set 30 the description is that they are seed plants that bear seeds directly on the surfaces of cones some examples are the conifers such as pines and spruces as well as palmlike plants called cycads ancient ginkgoes and the very weird gnetophytes

section 22 4 seed plants studyhippo com - Dec 11 2022

web section 22 4 seed plants get access to high quality and unique 50 000 college essay examples and more than 100 000 flashcards and test answers from around the world

section 22 4 seed plants answer key copy uniport edu - Oct 09 2022

web section 22 4 seed plants answer key 1 9 downloaded from uniport edu ng on july 22 2023 by guest section 22 4 seed plants answer key when somebody should go to the ebook stores search establishment by shop shelf by shelf it is really problematic this is why we give the books compilations in this website it will no

section 22 4 seed plants answer key festival rainedance - Aug 07 2022

web section 22 4 seed plants answer key co 2 gain and water loss carbon dioxide a key reactant in photosynthesis is present in the atmosphere at a concentration of about 400 ppm most plants require the stomata to be open during daytime getting started growing cannabis if you re just getting started or perhaps just thinking about it we ll show you the

section 22 4 seed plants answer key disha experts pdf - Apr 03 2022

web section 22 4 seed plants answer key getting the books section 22 4 seed plants answer key now is not type of inspiring means you could not and no one else going behind books addition or library or borrowing from your contacts to log on them

this is an extremely easy means to specifically acquire lead by on line

22 4 seed plants ppt slideshare - Jun 17 2023

web feb 16 2010 22 4 seed plants download as a pdf or view online for free 22 4 seed plants download as a pdf or view

online for free submit search upload 22 4 seed plants report t tamara tamara follow feb 16 2010