

Fig. 1

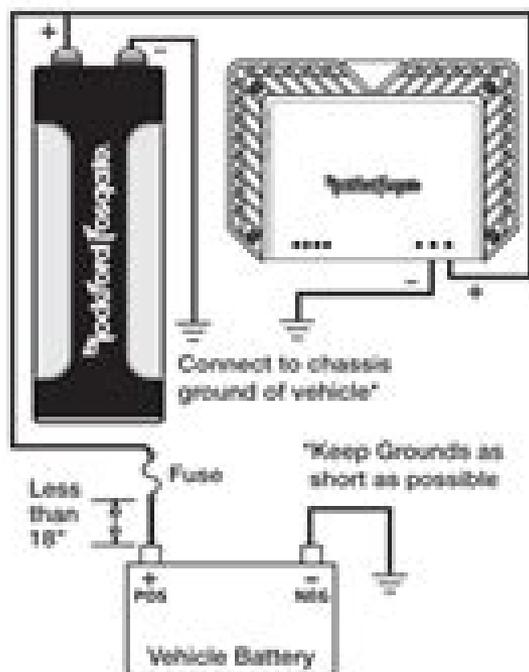
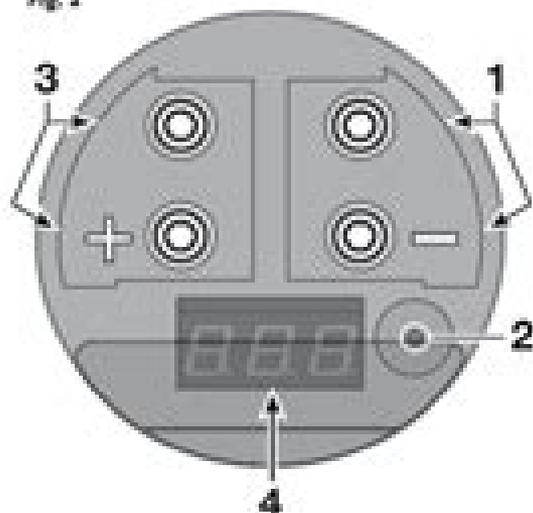


Fig. 2



Specifications

Rating:	1 farad (RFC1 or RFC1D)
	2 farad hybrid (RFC2D)
VDC:	1 farad : 20V surge 2 farad : 18V surge
Tolerance:	±10%
Dimensions:	1 farad : 1" x 8.625" (76.2mm x 217mm) 2 farad : 1" x 8.625" (76.2mm x 217mm)
Digital Status Caps add 1.2" (30.5mm) to height	
ESR:	1 farad : $+1.95m\Omega$ 2 farad : $+3.00m\Omega$
Terminals:	1/4" 28 thread
Tools:	3/16" Allen wrench

WARRANTY INFORMATION

Capacitors are nearly indestructible and will provide years of service if installed and used in accordance with the instructions in this manual. If this product should prove to be defective within a period of ninety (90) days from the date of purchase, contact your dealer or Rockford Corporation Customer Service Department at 1-800-669-9899 for replacement instructions.

In the event the vent is blown or leaking as a result of switched polarity, the capacitor is not covered by warranty.

Stripped screws or terminals are not covered by warranty. Replacements may be obtained at a reasonable cost by contacting Rockford Corporation Customer Service Department at 1-800-669-9899.



Rockford Corporation
546 South Rockford Drive
Tempe, AZ 85281 USA
USA, (480) 767-3565 - Customer Service 1-800-669-9899
Europe, Fax (49) 4207-8101250
Japan, Fax (81) 535-79-1265



1-Farad Capacitor RFC1

1-Farad Capacitor Digital Display RFC1D

2-Farad Hybrid Capacitor Digital Display RFC2D

Installation & Application Manual

INTRODUCTION

Thank you for purchasing the Rockford Fosgate Capacitor or Hybrid Capacitor.

These capacitors allow you to help maintain continuous power to other devices, such as amplifiers, in your audio system.

Please read, understand and follow all instructions before connecting the capacitor. If, after reading your manual, you still have questions regarding this product, we recommend that you see your Rockford Fosgate dealer. If you need further assistance, you can call us direct at 1-800-669-9899.

Rockford Fosgate Audio Capacitor Manual

Robert R. Redfield



Rockford Fosgate Audio Capacitor Manual:

Recognizing the pretentiousness ways to acquire this book **Rockford Fosgate Audio Capacitor Manual** is additionally useful. You have remained in right site to start getting this info. get the Rockford Fosgate Audio Capacitor Manual associate that we allow here and check out the link.

You could purchase lead Rockford Fosgate Audio Capacitor Manual or get it as soon as feasible. You could quickly download this Rockford Fosgate Audio Capacitor Manual after getting deal. So, when you require the ebook swiftly, you can straight acquire it. Its as a result entirely simple and appropriately fats, isnt it? You have to favor to in this heavens

<https://crm.avenza.com/public/Resources/index.jsp/precision%20crop%20protection%20the%20challenge%20and%20use%20of%20heterogeneity.pdf>

Table of Contents Rockford Fosgate Audio Capacitor Manual

1. Understanding the eBook Rockford Fosgate Audio Capacitor Manual
 - The Rise of Digital Reading Rockford Fosgate Audio Capacitor Manual
 - Advantages of eBooks Over Traditional Books
2. Identifying Rockford Fosgate Audio Capacitor Manual
 - Exploring Different Genres
 - Considering Fiction vs. Non-Fiction
 - Determining Your Reading Goals
3. Choosing the Right eBook Platform
 - Popular eBook Platforms
 - Features to Look for in an Rockford Fosgate Audio Capacitor Manual
 - User-Friendly Interface
4. Exploring eBook Recommendations from Rockford Fosgate Audio Capacitor Manual
 - Personalized Recommendations
 - Rockford Fosgate Audio Capacitor Manual User Reviews and Ratings
 - Rockford Fosgate Audio Capacitor Manual and Bestseller Lists

5. Accessing Rockford Fosgate Audio Capacitor Manual Free and Paid eBooks
 - Rockford Fosgate Audio Capacitor Manual Public Domain eBooks
 - Rockford Fosgate Audio Capacitor Manual eBook Subscription Services
 - Rockford Fosgate Audio Capacitor Manual Budget-Friendly Options
6. Navigating Rockford Fosgate Audio Capacitor Manual eBook Formats
 - ePub, PDF, MOBI, and More
 - Rockford Fosgate Audio Capacitor Manual Compatibility with Devices
 - Rockford Fosgate Audio Capacitor Manual Enhanced eBook Features
7. Enhancing Your Reading Experience
 - Adjustable Fonts and Text Sizes of Rockford Fosgate Audio Capacitor Manual
 - Highlighting and Note-Taking Rockford Fosgate Audio Capacitor Manual
 - Interactive Elements Rockford Fosgate Audio Capacitor Manual
8. Staying Engaged with Rockford Fosgate Audio Capacitor Manual
 - Joining Online Reading Communities
 - Participating in Virtual Book Clubs
 - Following Authors and Publishers Rockford Fosgate Audio Capacitor Manual
9. Balancing eBooks and Physical Books Rockford Fosgate Audio Capacitor Manual
 - Benefits of a Digital Library
 - Creating a Diverse Reading Collection Rockford Fosgate Audio Capacitor Manual
10. Overcoming Reading Challenges
 - Dealing with Digital Eye Strain
 - Minimizing Distractions
 - Managing Screen Time
11. Cultivating a Reading Routine Rockford Fosgate Audio Capacitor Manual
 - Setting Reading Goals Rockford Fosgate Audio Capacitor Manual
 - Carving Out Dedicated Reading Time
12. Sourcing Reliable Information of Rockford Fosgate Audio Capacitor Manual
 - Fact-Checking eBook Content of Rockford Fosgate Audio Capacitor Manual
 - Distinguishing Credible Sources
13. Promoting Lifelong Learning

- Utilizing eBooks for Skill Development
 - Exploring Educational eBooks
14. Embracing eBook Trends
- Integration of Multimedia Elements
 - Interactive and Gamified eBooks

Rockford Fosgate Audio Capacitor Manual Introduction

In the digital age, access to information has become easier than ever before. The ability to download Rockford Fosgate Audio Capacitor Manual has revolutionized the way we consume written content. Whether you are a student looking for course material, an avid reader searching for your next favorite book, or a professional seeking research papers, the option to download Rockford Fosgate Audio Capacitor Manual has opened up a world of possibilities. Downloading Rockford Fosgate Audio Capacitor Manual provides numerous advantages over physical copies of books and documents. Firstly, it is incredibly convenient. Gone are the days of carrying around heavy textbooks or bulky folders filled with papers. With the click of a button, you can gain immediate access to valuable resources on any device. This convenience allows for efficient studying, researching, and reading on the go. Moreover, the cost-effective nature of downloading Rockford Fosgate Audio Capacitor Manual has democratized knowledge. Traditional books and academic journals can be expensive, making it difficult for individuals with limited financial resources to access information. By offering free PDF downloads, publishers and authors are enabling a wider audience to benefit from their work. This inclusivity promotes equal opportunities for learning and personal growth. There are numerous websites and platforms where individuals can download Rockford Fosgate Audio Capacitor Manual. These websites range from academic databases offering research papers and journals to online libraries with an expansive collection of books from various genres. Many authors and publishers also upload their work to specific websites, granting readers access to their content without any charge. These platforms not only provide access to existing literature but also serve as an excellent platform for undiscovered authors to share their work with the world. However, it is essential to be cautious while downloading Rockford Fosgate Audio Capacitor Manual. Some websites may offer pirated or illegally obtained copies of copyrighted material. Engaging in such activities not only violates copyright laws but also undermines the efforts of authors, publishers, and researchers. To ensure ethical downloading, it is advisable to utilize reputable websites that prioritize the legal distribution of content. When downloading Rockford Fosgate Audio Capacitor Manual, users should also consider the potential security risks associated with online platforms. Malicious actors may exploit vulnerabilities in unprotected websites to distribute malware or steal personal information. To protect themselves, individuals should ensure their devices have reliable antivirus software installed and validate the legitimacy of the websites

they are downloading from. In conclusion, the ability to download Rockford Fosgate Audio Capacitor Manual has transformed the way we access information. With the convenience, cost-effectiveness, and accessibility it offers, free PDF downloads have become a popular choice for students, researchers, and book lovers worldwide. However, it is crucial to engage in ethical downloading practices and prioritize personal security when utilizing online platforms. By doing so, individuals can make the most of the vast array of free PDF resources available and embark on a journey of continuous learning and intellectual growth.

FAQs About Rockford Fosgate Audio Capacitor Manual Books

What is a Rockford Fosgate Audio Capacitor Manual PDF? A PDF (Portable Document Format) is a file format developed by Adobe that preserves the layout and formatting of a document, regardless of the software, hardware, or operating system used to view or print it. **How do I create a Rockford Fosgate Audio Capacitor Manual PDF?** There are several ways to create a PDF: Use software like Adobe Acrobat, Microsoft Word, or Google Docs, which often have built-in PDF creation tools. Print to PDF: Many applications and operating systems have a "Print to PDF" option that allows you to save a document as a PDF file instead of printing it on paper. Online converters: There are various online tools that can convert different file types to PDF. **How do I edit a Rockford Fosgate Audio Capacitor Manual PDF?** Editing a PDF can be done with software like Adobe Acrobat, which allows direct editing of text, images, and other elements within the PDF. Some free tools, like PDFescape or Smallpdf, also offer basic editing capabilities. **How do I convert a Rockford Fosgate Audio Capacitor Manual PDF to another file format?** There are multiple ways to convert a PDF to another format: Use online converters like Smallpdf, Zamzar, or Adobe Acrobats export feature to convert PDFs to formats like Word, Excel, JPEG, etc. Software like Adobe Acrobat, Microsoft Word, or other PDF editors may have options to export or save PDFs in different formats. **How do I password-protect a Rockford Fosgate Audio Capacitor Manual PDF?** Most PDF editing software allows you to add password protection. In Adobe Acrobat, for instance, you can go to "File" -> "Properties" -> "Security" to set a password to restrict access or editing capabilities. Are there any free alternatives to Adobe Acrobat for working with PDFs? Yes, there are many free alternatives for working with PDFs, such as: LibreOffice: Offers PDF editing features. PDFsam: Allows splitting, merging, and editing PDFs. Foxit Reader: Provides basic PDF viewing and editing capabilities. How do I compress a PDF file? You can use online tools like Smallpdf, ILovePDF, or desktop software like Adobe Acrobat to compress PDF files without significant quality loss. Compression reduces the file size, making it easier to share and download. Can I fill out forms in a PDF file? Yes, most PDF viewers/editors like Adobe Acrobat, Preview (on Mac), or various online tools allow you to fill out forms in PDF files by selecting text fields and entering information. Are there any

restrictions when working with PDFs? Some PDFs might have restrictions set by their creator, such as password protection, editing restrictions, or print restrictions. Breaking these restrictions might require specific software or tools, which may or may not be legal depending on the circumstances and local laws.

Find Rockford Fosgate Audio Capacitor Manual :

[precision crop protection the challenge and use of heterogeneity](#)

[prentice hall essential guide for college writers](#)

[prentice hall economics supply and demand test](#)

[prentice hall biology workbook answer key chapter36](#)

prentice hall geometry 12 2 practice answers

[*prentice hall foundations geometry 10 7*](#)

prentice hall biology workbook answers section

prentice hall earth science study guide answer

[preferred style guide regulatory writing](#)

[*prentice hall civics teacher guide*](#)

[predicted paper 1 june 2014 higher tier](#)

[prentice hall conceptual physics chapter 4 assessment](#)

precalculus unit 07 lesson 02 finding a way

[prelim maths lit memorandum 2014](#)

precalc conic word problems answer

Rockford Fosgate Audio Capacitor Manual :

[*photovoltaics system design and practice proquest - Oct 06 2022*](#)

web my research and language selection sign into my research create my research account english help and support support center find answers to questions about products access use setup and administration contact us have a question idea or some feedback we want to hear from you

photovoltaics system design and practice overdrive - Jul 03 2022

web jan 5 2012 with the explosive growth in pv photovoltaic installations globally the sector continues to benefit from important improvements in manufacturing technology and the increasing efficiency of solar cells this timely handbook brings

together all the latest design layout and construction methods for entire pv plants in a single volume

solar photovoltaic pv systems building and construction - Feb 10 2023

web building integrated photovoltaics bipv with bipv the pv module usually displaces another building component e g window glass or roof wall cladding thereby serving a dual purpose and offsetting some costs the configuration of a grid connected solar pv system is shown in figure 2

photovoltaics system design and practice pdf 216kh5vpq600 - Jun 02 2022

web photovoltaics photovoltaics system design and practice heinrich ha berlin berne university of applied sciences switzerland translated by herbert eppel he translations leicester uk this edition first published 2012 Ó 2012 john wiley sons ltd registered office john wiley sons ltd the atrium southern gate chichester

photovoltaics system design and practice solar energy - Jun 14 2023

web with the explosive growth in pv photovoltaic installations globally the sector continues to benefit from important improvements in manufacturing technology and the increasing efficiency of solar cells this timely handbook brings together all the latest design layout and construction methods for entire pv plants in a single volume coverage includes

wiley photovoltaics system design and practice globalspec - Jan 09 2023

web jan 1 2011 scope with the explosive growth in pv photovoltaic installations globally the sector continues to benefit from important improvements in manufacturing technology and the increasing efficiency of solar cells this timely handbook brings together all the latest design layout and construction methods for entire pv plants in a single volume

haberlin h photovoltaics system design and practice sciarium - Mar 31 2022

web aug 6 2013 haberlin h photovoltaics system design and practice pdf file size 24 39 mb added by alexyakm 08 06 2013 02 25 info modified 08 06 2013 04 35 john wiley sons ltd 2013 732 p isbn 1119992850

photovoltaics system design and practice by ronreeves issuu - Feb 27 2022

web photovoltaics system design and practice published on jul 21 2013 ronreeves follow this publisher more from ronreeves mp3 sloan wainwright on a night before christ july 21 2013

photovoltaics system design and practice wiley - Oct 18 2023

web description about the author permissions table of contents extra selected type hardcover quantity 102 95 vat information add to cart photovoltaics system design and practice heinrich häberlin isbn 978 1 119 99285 1 february 2012 744 pages e book starting at just 92 99 e book 92 99 print starting at just 102 95 hardcover 102 95

photovoltaics system design and practice wiley - Mar 11 2023

web with the explosive growth in pv photovoltaic installations globally the sector continues to benefit from important improvements in manufacturing technology and the increasing efficiency of solar cells this timely handbook brings together

all the latest design layout and construction methods for entire pv plants in a single volume

photovoltaics wiley online books - Aug 16 2023

web feb 3 2012 photovoltaics wiley online books photovoltaics system design and practice author s heinrich häberlin first

published 3 february 2012 print isbn 9781119992851 online isbn 9781119976998 doi 10 1002 9781119976998 copyright

2012 john wiley sons ltd home author biography reviews about this book

photovoltaics system design download e bookshelf de - Jul 15 2023

web key features plant energy yield results from the author s own operational experience with tables showing the measuring results of long term monitoring data of up to 18 years and normalized representation of energy yield production a discussion

photovoltaics system design and practice google books - Sep 17 2023

web jan 5 2012 photovoltaics system design and practice heinrich häberlin john wiley sons jan 5 2012 technology

engineering 744 pages

pdf photovoltaic system design and performance - Sep 05 2022

web may 14 2019 these problems are described in detail in 6 current voltage characteristic i v figure 1a 4 the value of the current drawn from the pv source depends primarily on the intensity of the

photovoltaics system design and practice worldcat org - Nov 07 2022

web photovoltaics system design and practice authors heinrich haberlin herbert eppel summary this book gives a broad overview to the topic before looking at solar radiation and its energy potential

photovoltaics system design and practice amazon com - May 13 2023

web feb 13 2012 detailed treatment of the design and operation of solar cells for the reader to appreciate possible technical developments and improvements in the future a description of pv plant components such as solar modules solar generators

accumulators charge controllers and inverters with emphasis on their optimum co operation in the entire pv

photovoltaics system design and practice hardcover abebooks - Dec 08 2022

web with the explosive growth in pv photovoltaic installations globally the sector continues to benefit from important

improvements in manufacturing technology and the increasing efficiency of solar cells this timely handbook brings together

all the latest design layout and construction methods for entire pv plants in a single volume

photovoltaics system design and practice amazon com - Aug 04 2022

web jan 5 2012 photovoltaics system design and practice kindle edition by häberlin heinrich download it once and read it on your kindle device pc phones or tablets use features like bookmarks note taking and highlighting while reading photovoltaics

system design and practice

photovoltaics system design and practice semantic scholar - May 01 2022

web feb 13 2012 2019 tldr a new method is introduced in order to find out the appropriate capacity of off grid photovoltaic arrays in the planning process of these systems where the number of cloudy days is not considered highly influenced 4

excerpts possible benefits from pv modules integration in railroad linear structures ibragim m asanov e loktionov

solar photovoltaic pv system planning design and installation - Apr 12 2023

web by the end of the course participants will be able to 1 design solar photovoltaic pv systems and their integration to the power grid based on recommended technical specifications and project requirements 2 administer energy assessments and site analysis procedures to recommend suitability of sites and optimisation methods for usable space

products caps exam papers tests worksheets grade 1 10 - Sep 02 2022

web we specialise in practice exam papers and worksheets with answers all subjects from grade 1 10 are based on caps the various study programmes complement each

business studies caps grade 10 exam papers copy - Mar 28 2022

web business studies caps grade 10 exam papers oswaal cbse sample question papers class 10 mathematics basic book for board exams 2024 2023 24 apr 13 2021

life science grade 10 caps exam papers pdf - Dec 05 2022

web life science grade 10 caps exam papers life science oct 11 2021 oxford successful physical sciences oct 30 2020 human anatomy and physiology jun 30 2023 science

grade 7 technology past exam papers - Dec 25 2021

web the qualitative analysis was done using nvivo 12 0 software past exam papers for grade 7 technology past june and november exam papers memos available in both

free grade 10 online lessons classes past exams papers and - Jun 30 2022

web exam preparation resource modern classroom understands the significance of grade 10 exams and provides students with the necessary resources to prepare for their exams

grade 10 physical science 2020 revision exam papers and - Mar 08 2023

web aug 20 2020 list of grade 10 physical science 2020 revision exam papers and memos caps phy sc grade 10 p2 march 2020 1 1 download phy sc gr 10 march 2020 and

grade 10 past exams question papers memos revision notes - May 30 2022

web on this page you will find grade 10 past exams question papers memos revision notes and study guides from allsouth african provinces limpopo mpumalanga north west

grade 10 past papers wiki - Feb 24 2022

web grade 10 download grade 10 past papers grade 10 exam papers textbooks school syllabus teachers guide activity sheets

in sinhala english and tamil medium

grade 10 physical science ps physics november paper 1 - May 10 2023

web nov 13 2023 grade 10 physical sciences november paper 1 and memo total 100 marks this exam paper covers the following work mechanics waves sound light

caps past papers for grades 10 11 and 12 caps 123 - Jul 12 2023

web apr 11 2023 grade 10 common paper 2015 2018 2017 november nsc examination papers 2017 may june sc a exam papers 2017 feb march nsc exam papers

general paper syllabus 8807 singapore examinations and - Jan 26 2022

web the syllabus and examination are intended for all candidates who follow the general paper course of study at the h1 level examination it continues to underscore maturity of

grade 10 past papers sa papers - Aug 13 2023

web the largest collection of past exam papers for grade 10 caps the memos and exam papers are available in afrikaans and english prepare for your grade 10 exams with

grade 10 common papers national department of basic - Sep 14 2023

web sep 2 2019 paper 2 answerbook english afrikaans 9 2 2019 download paper 2 english 9 2 2019 download paper 2 afrikaans 9 2 2019 download paper 1

mathematics grade 10 past papers online lessons and revision - Nov 23 2021

web mathematics grade 10 past papers online lessons and revision notes south africa caps mathematics is the science that deals with the logic of shape quantity and

ebook mathematics grade 10 caps exam papers - Jun 11 2023

web mathematics grade 10 caps exam papers mathematics oct 26 2021 music theory jul 23 2021 english grade 10 mar 11 2023 study master english grade 10 has been

ebook grade 10 caps exam papers download - Jan 06 2023

web grade 10 caps exam papers download oswaal cat 25 years solved papers mock test 15 sample question papers set of 2 books for 2023 exam sep 01 2020

read free caps grade 10 exam papers physical science - Aug 01 2022

web caps grade 10 exam papers physical science igcse mathematics june 2021 potential papers sep 05 2022 this book contains 10 exam practice papers and it is aimed at

grade 10 past exam papers testpapers - Oct 15 2023

web the largest collection of past exam papers for grade 10 caps 2023 the memos and exam papers are available in afrikaans

and english the past exam papers are

grade 10 question papers and memos caps exam revision - Feb 07 2023

web 14 rows grade 10 life orientation caps exam paper 10 profession adolescence determination life roles emotional changes the right to privacy rape sexual abuse

grade 10 maths exam papers and memos pdf my courses - Nov 04 2022

web grade 10 maths exam papers and memos pdf as a high school student mathematics exams can be a daunting experience however mathematics caps document for

grade 10 caps exam papers orientation suttu edu sg - Oct 03 2022

web past physical science grade 10 caps exam papers nazhina com grade 10 history caps exam papers fullexams com grade 10 common paper november 2015 mathematics

caps exemplar past papers grade 10 and 11 mathematical - Apr 28 2022

web mar 6 2014 these are the official departmental grade 10 and 11 mathematical literacy exemplar past papers with memorandums grade 10 mathematical literacy paper 1

caps exemplar past papers grade 10 and 11 maths at sharp - Oct 23 2021

web mar 6 2013 are you looking for past exam papers to practice here are a couple that you can use with memos as well grade 10 sharp paper 1 and memo sharp paper 2

grade 10 business studies past exam papers - Apr 09 2023

web caps exam papers past exam papers for grade 10 business studies 2023 2015 past march june september and november exam papers memos available in both

[doa pembuka majelis keutamaan dalam islam com](#) - Jan 28 2022

web doa pembuka majelis biasanya dilakukan dengan membaca khutbatul hajah khutbatul hajah adalah doa dimana rasulullah saw senantiasa membacanya di banyak kesempatan doa ini biasa dibaca saat akan khutbah ceramah baik pada pernikahan muhadharah ceramah ataupun pertemuan mukadimah pidato serta pengajian dan sunnah ini pun

doa pembuka dan penutup acara lengkap arab dan latin - Jul 14 2023

web jul 23 2023 doa pembuka dan penutup acara berikut dapat dipraktikkan dalam berbagai hajatan termasuk pengajian syukuran halaqah seminar atau pertemuan resmi lainnya doa pembuka dan penutup acara ini redaksinya singkat namun sudah mencakup kalimat pujian kepada allah dzat yang maha kuasa

10 doa pembuka dan penutup acara lengkap beserta artinya - Apr 30 2022

web aug 31 2023 doa pembuka diucapkan ketika acara belum dimulai sebagai awal dari pembukaan acara yang akan berlangsung sedangkan doa penutup acara diucapkan setelah acara berakhir pembacaan doa pembuka dan penutup acara ini

sudah menjadi tradisi di banyak negara termasuk indonesia yang mayoritas penduduknya adalah muslim

[doa pembuka acara pengajian kumpulan doa](#) - Dec 27 2021

web may 17 2021 doa pembuka acara yaitu alhamdulillah rabbilalamin wash sholaatu wassalaamu ala isyrofil anbiyaa i walmursaliin waalaa alihi washohbihii ajmaiin ammabaadu 10 contoh teks pembawa acara pengajian terbaru dan lengkap

[bacaan doa pembuka dan doa penutup acara lengkap](#) - Feb 09 2023

web may 1 2021 bacaan doa pembuka dan doa penutup acara lengkap pada kesempatan ini pengetahuan islam akan membahas tentang doa pembuka yang mana dalam pembahasan kali ini menjelaskan bacaan doa pembuka dan doa penutup arab latin dan artinya dengan secara singkat dan jelas untuk lebih lengkapnya simak artikel

[5 doa pembuka majelis dan keutamaannya masya allah orami](#) - Feb 26 2022

web aug 2 2022 adab doa pembuka majelis atau acara doa pembuka majelis sesuai sunnah keutamaan doa pembuka majelis untuk menambah keberkahan doa pembuka majelis dipanatkan saat akan membuka suatu acara terutama acara yang berkaitan dengan kegiatan keislaman seperti ceramah khutbah dan sebagainya di dalamnya

doa pembuka majelis lengkap dengan terjemahan dan artinya - Nov 06 2022

web sep 6 2021 doa pembuka majelis biasanya dilakukan dengan membaca khutbatul hajah khutbatul hajah adalah doa di mana rasulullah shallallahu alaihi wassallam senantiasa membacanya di banyak kesempatan ada beberapa doa pembuka majelis yang bisa diucapkan ketika diberi kesempatan untuk menjadi pembuka majelis atau mengawali

[teks bacaan doa pembuka acara majelis dan terjemahannya](#) - Jan 08 2023

web feb 4 2017 teks bacaan doa pembuka acara majelis dan terjemahannya pada sebuah majelis atau pengajian umat islam baik majelis dzikir wirid ataupun majelis taklim ilmu tentunya terdapat urutan dan susunan jalannya acara mulai dari awal hingga akhir biasanya acara akan diisi dengan pembacaan ayat ayat suci al quran

doa pembuka acara dan penutup acara lengkap dengan artinya - Jun 01 2022

web ada banyak doa pembuka acara dan penutup acara umumnya tergantung acara apa yang diadakan mulai dari pengajian pernikahan majelis pembelajaran hingga acara non formal juga pasti akan diawali dengan doa doanya juga ada yang panjang dan yang pendek tergantung acaranya apa formal atau non formal

doa pembuka majelis sesuai sunnah lengkap latin dan - May 12 2023

web jun 29 2021 doa pembuka majelis sesuai sunnah lengkap latin dan terjemahannya kristina detiknews selasa 29 jun 2021 11 11 wib foto adhar muttaqien jakarta umat islam dianjurkan untuk membaca doa pembuka majelis sebelum memulai kegiatan

bacaan doa pembuka acara lengkap dengan adab saat membacanya - Mar 30 2022

web feb 8 2021 doa pembuka acara versi i alhamdulillah rabbil aalamiin wash sholaatu wassalaamu ala isyrofil anbiyaa i

web aug 22 2021 doa pembuka majelis pengajian arab latin dan artinya untuk mengawali suatu kegiatan maupun pengajian majelis taklim pertemuan rutin dalam rangka mencari ilmu dan beribadah

doa penutup pengajian dan doa pembuka pengajian tulisan - Apr 11 2023

web jul 24 2023 dalam ajaran agama islam ada sejumlah bacaan doa pembuka pengajian dan doa penutup pengajian semua bacaan doa penutup pengajian tersebut bisa pilih salah satu sesuai dengan situasi pengajian yang diadakan atau sesuai dengan apa yang kita harapkan dari aktivitas pengajian tersebut