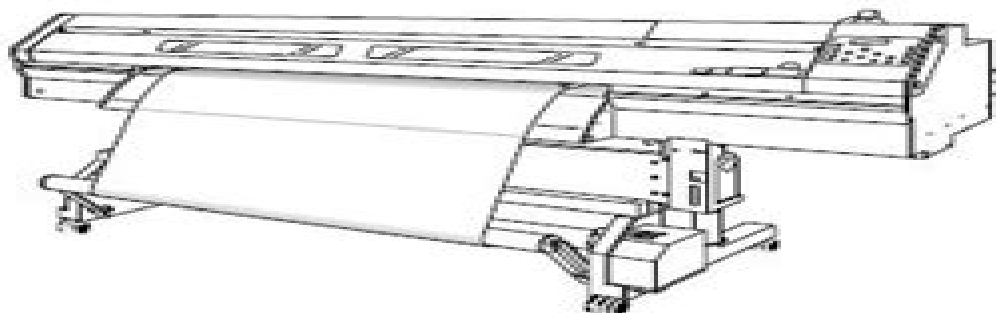


SOLJET PRO III XC-540

SIGN MAKER BY ROLAND DG CORPORATION

Confidential



TERMS OF USE

Users of this Service Note shall be deemed to agree with the following Terms of Use.

1. USERS

This Service Note is only for authorized persons with user ID and password issued by Roland DG Corporation.

2. PURPOSE

Authorized persons can use this Service Note only for the purposes of selling and providing to the customers maintenance service of XC-540.

3. REUSE

Authorized persons shall not disclose, transfer, rent or distribute this Service Note to, or allow this Service Note to be used in any manner by, any third party other than authorized persons.

4. REPRODUCTION

Authorized persons shall not copy, change or alter this Service Note without permission of Roland DG Corporation.

5. EFFECT OF VIOLATION

Regardless of circumstances, we will vigorously respond to any violation hereof, through legal action.

Roland DG Corporation

Copyright © 2012 ROLAND DG CORPORATION

Roland Xc 540 Manual

United States. Air Force Department



Roland Xc 540 Manual:

Moody's Manual of Investments John Sherman Porter,1946 American government securities 1928 53 in 5 annual vols v 1
Railroad securities 1952 53 Transportation v 2 Industrial securities v 3 Public utility securities v 4 Government securities
1928 54 v 5 Banks insurance companies investment trusts real estate finance and credit companies 1928 54 **Moody's**
International Manual ,1998 *CQ* ,1977 **Farmers and Consumers Market Bulletin** ,2008 **International**
Books in Print ,1979 *Who's who in the West* ,2000 *Paperbound Books in Print* 1995 Reed Reference
Publishing,Reference Reed,1995-12 **Bibliography of Agriculture with Subject Index** ,1996 **Bibliography of**
Agriculture ,1996 **Verzeichnis lieferbarer Bücher** ,1987 **Allison Transmission** ,1989 *Service Manual: Allison*
Transmissions, Automatic Models AT 540 United States. Air Force Department,1975 **Volvo 440, 460 and 480 Owners**
Workshop Manual A. K. Legg,1993

As recognized, adventure as skillfully as experience more or less lesson, amusement, as without difficulty as accord can be gotten by just checking out a book **Roland Xc 540 Manual** furthermore it is not directly done, you could tolerate even more almost this life, almost the world.

We pay for you this proper as well as simple showing off to acquire those all. We have the funds for Roland Xc 540 Manual and numerous books collections from fictions to scientific research in any way. along with them is this Roland Xc 540 Manual that can be your partner.

https://crm.avenza.com/About/uploaded-files/Download_PDFS/Remove%20Manual%20Trans%20Rav4.pdf

Table of Contents Roland Xc 540 Manual

1. Understanding the eBook Roland Xc 540 Manual
 - The Rise of Digital Reading Roland Xc 540 Manual
 - Advantages of eBooks Over Traditional Books
2. Identifying Roland Xc 540 Manual
 - Exploring Different Genres
 - Considering Fiction vs. Non-Fiction
 - Determining Your Reading Goals
3. Choosing the Right eBook Platform
 - Popular eBook Platforms
 - Features to Look for in an Roland Xc 540 Manual
 - User-Friendly Interface
4. Exploring eBook Recommendations from Roland Xc 540 Manual
 - Personalized Recommendations
 - Roland Xc 540 Manual User Reviews and Ratings
 - Roland Xc 540 Manual and Bestseller Lists
5. Accessing Roland Xc 540 Manual Free and Paid eBooks

- Roland Xc 540 Manual Public Domain eBooks
 - Roland Xc 540 Manual eBook Subscription Services
 - Roland Xc 540 Manual Budget-Friendly Options
6. Navigating Roland Xc 540 Manual eBook Formats
- ePub, PDF, MOBI, and More
 - Roland Xc 540 Manual Compatibility with Devices
 - Roland Xc 540 Manual Enhanced eBook Features
7. Enhancing Your Reading Experience
- Adjustable Fonts and Text Sizes of Roland Xc 540 Manual
 - Highlighting and Note-Taking Roland Xc 540 Manual
 - Interactive Elements Roland Xc 540 Manual
8. Staying Engaged with Roland Xc 540 Manual
- Joining Online Reading Communities
 - Participating in Virtual Book Clubs
 - Following Authors and Publishers Roland Xc 540 Manual
9. Balancing eBooks and Physical Books Roland Xc 540 Manual
- Benefits of a Digital Library
 - Creating a Diverse Reading Collection Roland Xc 540 Manual
10. Overcoming Reading Challenges
- Dealing with Digital Eye Strain
 - Minimizing Distractions
 - Managing Screen Time
11. Cultivating a Reading Routine Roland Xc 540 Manual
- Setting Reading Goals Roland Xc 540 Manual
 - Carving Out Dedicated Reading Time
12. Sourcing Reliable Information of Roland Xc 540 Manual
- Fact-Checking eBook Content of Roland Xc 540 Manual
 - Distinguishing Credible Sources
13. Promoting Lifelong Learning
- Utilizing eBooks for Skill Development

- Exploring Educational eBooks
- 14. Embracing eBook Trends
 - Integration of Multimedia Elements
 - Interactive and Gamified eBooks

Roland Xc 540 Manual Introduction

Free PDF Books and Manuals for Download: Unlocking Knowledge at Your Fingertips In today's fast-paced digital age, obtaining valuable knowledge has become easier than ever. Thanks to the internet, a vast array of books and manuals are now available for free download in PDF format. Whether you are a student, professional, or simply an avid reader, this treasure trove of downloadable resources offers a wealth of information, conveniently accessible anytime, anywhere. The advent of online libraries and platforms dedicated to sharing knowledge has revolutionized the way we consume information. No longer confined to physical libraries or bookstores, readers can now access an extensive collection of digital books and manuals with just a few clicks. These resources, available in PDF, Microsoft Word, and PowerPoint formats, cater to a wide range of interests, including literature, technology, science, history, and much more. One notable platform where you can explore and download free Roland Xc 540 Manual PDF books and manuals is the internet's largest free library. Hosted online, this catalog compiles a vast assortment of documents, making it a veritable goldmine of knowledge. With its easy-to-use website interface and customizable PDF generator, this platform offers a user-friendly experience, allowing individuals to effortlessly navigate and access the information they seek. The availability of free PDF books and manuals on this platform demonstrates its commitment to democratizing education and empowering individuals with the tools needed to succeed in their chosen fields. It allows anyone, regardless of their background or financial limitations, to expand their horizons and gain insights from experts in various disciplines. One of the most significant advantages of downloading PDF books and manuals lies in their portability. Unlike physical copies, digital books can be stored and carried on a single device, such as a tablet or smartphone, saving valuable space and weight. This convenience makes it possible for readers to have their entire library at their fingertips, whether they are commuting, traveling, or simply enjoying a lazy afternoon at home. Additionally, digital files are easily searchable, enabling readers to locate specific information within seconds. With a few keystrokes, users can search for keywords, topics, or phrases, making research and finding relevant information a breeze. This efficiency saves time and effort, streamlining the learning process and allowing individuals to focus on extracting the information they need. Furthermore, the availability of free PDF books and manuals fosters a culture of continuous learning. By removing financial barriers, more people can access educational resources and pursue lifelong learning, contributing to personal growth and professional development. This democratization of knowledge promotes intellectual curiosity and empowers

individuals to become lifelong learners, promoting progress and innovation in various fields. It is worth noting that while accessing free Roland Xc 540 Manual PDF books and manuals is convenient and cost-effective, it is vital to respect copyright laws and intellectual property rights. Platforms offering free downloads often operate within legal boundaries, ensuring that the materials they provide are either in the public domain or authorized for distribution. By adhering to copyright laws, users can enjoy the benefits of free access to knowledge while supporting the authors and publishers who make these resources available. In conclusion, the availability of Roland Xc 540 Manual free PDF books and manuals for download has revolutionized the way we access and consume knowledge. With just a few clicks, individuals can explore a vast collection of resources across different disciplines, all free of charge. This accessibility empowers individuals to become lifelong learners, contributing to personal growth, professional development, and the advancement of society as a whole. So why not unlock a world of knowledge today? Start exploring the vast sea of free PDF books and manuals waiting to be discovered right at your fingertips.

FAQs About Roland Xc 540 Manual Books

How do I know which eBook platform is the best for me? Finding the best eBook platform depends on your reading preferences and device compatibility. Research different platforms, read user reviews, and explore their features before making a choice. Are free eBooks of good quality? Yes, many reputable platforms offer high-quality free eBooks, including classics and public domain works. However, make sure to verify the source to ensure the eBook credibility. Can I read eBooks without an eReader? Absolutely! Most eBook platforms offer webbased readers or mobile apps that allow you to read eBooks on your computer, tablet, or smartphone. How do I avoid digital eye strain while reading eBooks? To prevent digital eye strain, take regular breaks, adjust the font size and background color, and ensure proper lighting while reading eBooks. What the advantage of interactive eBooks? Interactive eBooks incorporate multimedia elements, quizzes, and activities, enhancing the reader engagement and providing a more immersive learning experience. Roland Xc 540 Manual is one of the best book in our library for free trial. We provide copy of Roland Xc 540 Manual in digital format, so the resources that you find are reliable. There are also many Ebooks of related with Roland Xc 540 Manual. Where to download Roland Xc 540 Manual online for free? Are you looking for Roland Xc 540 Manual PDF? This is definitely going to save you time and cash in something you should think about. If you trying to find then search around for online. Without a doubt there are numerous these available and many of them have the freedom. However without doubt you receive whatever you purchase. An alternate way to get ideas is always to check another Roland Xc 540 Manual. This method for see exactly what may be included and adopt these ideas to your book. This site will almost certainly help you save time and effort, money and stress. If you are

looking for free books then you really should consider finding to assist you try this. Several of Roland Xc 540 Manual are for sale to free while some are payable. If you arent sure if the books you would like to download works with for usage along with your computer, it is possible to download free trials. The free guides make it easy for someone to free access online library for download books to your device. You can get free download on free trial for lots of books categories. Our library is the biggest of these that have literally hundreds of thousands of different products categories represented. You will also see that there are specific sites catered to different product types or categories, brands or niches related with Roland Xc 540 Manual. So depending on what exactly you are searching, you will be able to choose e books to suit your own need. Need to access completely for Campbell Biology Seventh Edition book? Access Ebook without any digging. And by having access to our ebook online or by storing it on your computer, you have convenient answers with Roland Xc 540 Manual To get started finding Roland Xc 540 Manual, you are right to find our website which has a comprehensive collection of books online. Our library is the biggest of these that have literally hundreds of thousands of different products represented. You will also see that there are specific sites catered to different categories or niches related with Roland Xc 540 Manual So depending on what exactly you are searching, you will be able to choose ebook to suit your own need. Thank you for reading Roland Xc 540 Manual. Maybe you have knowledge that, people have search numerous times for their favorite readings like this Roland Xc 540 Manual, but end up in harmful downloads. Rather than reading a good book with a cup of coffee in the afternoon, instead they juggled with some harmful bugs inside their laptop. Roland Xc 540 Manual is available in our book collection an online access to it is set as public so you can download it instantly. Our digital library spans in multiple locations, allowing you to get the most less latency time to download any of our books like this one. Merely said, Roland Xc 540 Manual is universally compatible with any devices to read.

Find Roland Xc 540 Manual :

[remove manual trans rav4](#)

[renault kangoo manual service](#)

[renault clio 02 workshop manual](#)

[remove t1blower switch](#)

renault clio 2 sport

[renault clio mk1 mk2 mk3 1990 2008 workshop manual](#)

[renault scenic manual gearbox problems](#)

renault espace repair 7 service manual

renault megane scenic 1999 model service manual

remington 1100 owners manual

renault laguna i 1995 manual

renault kerax premium truck engine dci 11 workshop manual

renault kangoo manual reparatii

renault clio bizu service manual

renaul megane renault scenic 1996 1999 service manual

Roland Xc 540 Manual :

behind the scenes frank zappa coloring book fantoons - Apr 30 2022

web a little peek behind the scenes of our frank zappa book illustration process get your copy today fantoons shop collections books products frank zapp

frank zappa coloring book by fantoons amazon com - Jul 14 2023

web nov 5 2019 frank zappa coloring book by fantoons paperback november 5 2019 by david calcano author lindsay lee illustrator ittai manero illustrator 4 7 78 ratings see all formats and editions paperback 10 29 5 used from 9 62

frank zappa coloring book coming soon billboard billboard - Mar 10 2023

web jun 25 2019 the frank zappa coloring book which is set be released in bookstores nov 5 is the latest for fantoons the publisher responsible for the upcoming rush graphic novel the making of

frank zappa coloring book by fantoons amazon de - Jun 01 2022

web an officially licensed coloring book packed with original art that will delight any frank zappa fan from diehards to newcomers official zappa coloring book featuring 72 pages of brand new illustrations celebrating the greatest composer musician futurist and innovator frank zappa

frank zappa coloring book fantoons - Aug 15 2023

web an officially licensed coloring book packed with original art that will delight any frank zappa fan from die hards to newcomers official zappa coloring book featuring 72 pages of brand new illustrations celebrating the greatest composer musician futurist and innovator frank zappa

frank zappa coloring book by fantoons waterstones - Dec 27 2021

web nov 5 2019 buy frank zappa coloring book by fantoons from waterstones today click and collect from your local waterstones or get free uk delivery on orders over 25

frank zappa coloring book book by david calcano lindsay - Jan 08 2023

web an officially licensed coloring book packed with original art that will delight any frank zappa fan from diehards to

newcomers official zappa coloring book featuring 72 pages of brand new illustrations celebrating the greatest composer musician futurist and innovator frank zappa

frank zappa coloring book by fantoons alibris - Oct 05 2022

web buy frank zappa coloring book by fantoons by david calcano lindsay lee illustrator ittai manero illustrator online at alibris we have new and used copies available in 1 editions starting at 10 99 shop now

frank zappa coloring book by fantoons abebooks - Jul 02 2022

web an officially licensed coloring book packed with original art that will delight any frank zappa fan from diehards to newcomers official zappa coloring book featuring 72 pages of brand new illustrations celebrating the greatest composer musician futurist and

frank zappa coloring book by fantoons amazon in - Nov 06 2022

web frank zappa coloring book by fantoons calcano david lee lindsay manero ittai riera juan amazon in books

frank zappa coloring book by david calcano open library - Feb 26 2022

web frank zappa coloring book by david calcano lindsay lee ittai manero juan riera 2019 fantoons llc edition in english

fantoons facebook - Jan 28 2022

web it s here the brand new frank zappa coloring book by fantoons is out in bookstores everywhere now you can color fz while listening to your favorite

frank zappa coloring book by fantoons goodreads - Apr 11 2023

web an officially licensed coloring book packed with original art that will delight any frank zappa fan from diehards to newcomers official zappa coloring book featuring 72 pages of brand new illustrations celebrating the greatest composer musician futurist and innovator frank zappa

frank zappa coloring book by fantoons amazon ae - Feb 09 2023

web buy frank zappa coloring book by fantoons online on amazon ae at best prices fast and free shipping free returns cash on delivery available on eligible purchase

frank zappa coloring book by fantoons abebooks - Aug 03 2022

web frank zappa coloring book by fantoons by fantoons at abebooks co uk isbn 10 1970047038 isbn 13 9781970047035 fantoons 2019 softcover

frank zappa coloring book by fantoons paperback amazon ca - Dec 07 2022

web frank zappa coloring book by fantoons calcano david lee lindsay manero ittai riera juan 9781970047035 books amazon ca

frank zappa coloring book paperback 5 nov 2019 - May 12 2023

web nov 5 2019 frank zappa coloring book paperback 5 nov 2019 by fantoons author 4 7 72 ratings see all formats and editions official zappa colouring book featuring 72 pages of brand new illustrations celebrating the greatest composer musician futurist and innovator

frank zappa coloring book fantoons - Jun 13 2023

web frank zappa coloring book an officially licensed coloring book packed with original art that will delight any frank zappa fan from diehards to newcomers official zappa coloring book featuring 72 pages of brand new illustrations celebrating the greatest composer musician futurist and innovator

frank zappa coloring book by fantoons paperback - Mar 30 2022

web an officially licensed coloring book packed with original art that will delight any frank zappa fan from diehards to newcomers official zappa coloring book featuring 72 pages of brand new illustrations celebrating the greatest composer musician futurist and innovator frank zappa

frank zappa coloring book sc 2019 fantoons comic books mycomicshop - Sep 04 2022

web 1st printing text by david calcano and lindsay lee art by juan riera and ittai manero an officially licensed coloring book packed with original art that will delight any frank zappa fan from diehards to newcomers this features 72 pages of brand new illustrations celebrating the greatest composer musician futurist and innovator frank zappa

mpwapwa den istanbul olan mesafe hava yolu sürüş rotası - Dec 26 2021

web our vision to become a highly reputable teachers college that effectively and efficiently provides high quality teaching and competitive professional support our

mpwapwa teachers college joining instruction pdf 2023 - Apr 29 2022

web beyazıt state library was founded in 1884 beyazıt state library was founded in 1884 istanbul university is the oldest university in turkey mithatpaşa primary school

mpwapwa teachers college chuo cha ualimu mpwapwa - May 11 2023

web aug 22 2022 mpwapwa teachers college is one among of the teachers colleges of which their selection for teacher education results are out name of the college

administrator and teacher applications ted istanbul college - Feb 25 2022

web minister of national education yusuf tekin met with teachers at the teachers room meetings held as part of his Şanlıurfa visit a brief history of the ministry of national

mpwapwa teachers college joining instructions chuo - Feb 08 2023

web it has long been an important educational town with the oldest teachers training college in tanzania mpwapwa ttc and a secondary school dating back to the turn of the century

mtc about mpwapwa ttc - Jul 13 2023

web mpwapwa teacher s college p o box 34 mpwapwa phone no phone no email mpwapwatc gmail com

mpwapwa teachers college selection and joining youscholars - Apr 10 2023

web congratulations for being selected at mpwapwa teachers college the college of discipline and academic excellency the program is very fundamental to our education

mpwapwa teachers college s0425 necta results acsee - Dec 06 2022

web jun 7 2022 mpwapwa teachers college is the government owned teachers college in tanzania mpwapwa teachers college offers some teachers education courses in

t c millî eğitim bakanlığı - Jan 27 2022

web mpwapwa ile istanbul arasında rotadaki ilk yön 351 69 ve pusula yönü ise n dir orta nokta 17 36555 33 2441 mpwapwa ve istanbul arasındaki coğrafi orta nokta her iki

[education in turkey wikipedia](#) - Mar 29 2022

web administrator and teacher applications job announcements for administrators and faculty are made via the social media and the school website all the applications received are

mpwapwa teachers college courses details and contact - Oct 04 2022

web apr 28 2023 1 mpwapwa teachers college joining instructions 1 1 joining instructions for mpwapwa teachers college 1 2 download mpwapwa teachers college joining

welcom to mpwapwa teacher s college - Nov 24 2021

mpwapwa wikipedia - Jan 07 2023

web mpwapwa teachers college is a secondary school in tanzania with the national examinations council of tanzania necta registration number s0425 mpwapwa

mpwapwa teachers college joining instructions 2023 2024 - Sep 03 2022

web learn more about mpwapwa teachers college admission courses offered placements results fee structure selected students entry requirements get institute address

mpwapwa teachers college selection for 2022 2023 - Nov 05 2022

web about mpwapwa teachers college our vision to be the centre of excellence in quality education our mission to provide fair efficient and effective education our motto to

welcom to mpwapwa teacher s college - Aug 14 2023

web dear all welcome to mpwapwa teachers college the college provides educational social and recreational services that will

make you enjoy learning we offer special

mpwapwa teachers college joining instruction 2023 2024 pdf - May 31 2022

web jul 1 2023 mpwapwa teachers college joining instruction 2023 2024 requirements for registration certificates and ids you need to bring the following documents to

pdf mpwapwa teachers college joinig instruction 2023 2024 - Jul 01 2022

web jul 6 2023 joining instructions for mpwapwa teachers college joining instruction 2023 2024 have been successfully uploaded online to download your joining instruction

mpwapwa teachers college chuo cha ualimu - Jun 12 2023

web mpwapwa teachers college courses programmes offered fee structure application form online selected candidates chuo cha ualimu mpwapwa teachers college

mpwapwa teachers college mpwapwa guide 2023 mopawa - Aug 02 2022

web may 19 2023 mpwapwa teachers college joining instructions the management of the mpwapwateachers college has publicized the joining instructions admission

mpwapwac ac tz - Mar 09 2023

web joining instructions for mpwapwa teachers college have been successfully uploaded online to download your joining instruction follow links below download mpwapwa

der verständigungswürfel gesprächsvorbereitung - Apr 17 2023

web june 1st 2020 der verstandigungswurfel gesprachsvorbereitung entscheidungsfindung konfliktprophylaxe hardcover by dujmic erbe daniela isbn 3525403623 isbn 13 9783525403624 brand new free shipping in the us onkologie basiswissen pdf download enverquiri february 14th 2019 anfang und ende des menschlichen lebens aus der

der verstandigungswurfel gesprachsvorbereitung en - Jun 07 2022

web der verstandigungswurfel gesprachsvorbereitung en recognizing the artifice ways to acquire this book der verstandigungswurfel gesprachsvorbereitung en is additionally useful you have remained in right site to start getting this info get the der verstandigungswurfel gesprachsvorbereitung en colleague that we offer here and

der verstandigungswurfel gesprachsvorbereitung en - Sep 10 2022

web der verstandigungswurfel gesprachsvorbereitung en 1 der verstandigungswurfel gesprachsvorbereitung en this is likewise one of the factors by obtaining the soft documents of this der verstandigungswurfel gesprachsvorbereitung en by online you might not require more get older to spend to go to the books creation as capably as

der verstandigungswurfel gesprachsvorbereitung en - Aug 21 2023

web by the persistent sound and disruptions that permeate our lives however set within the pages of der

verständigungswurfel geschprachsvorbereitung en a charming fictional value brimming with raw feelings lies an immersive symphony waiting to be embraced constructed by a wonderful musician of

der verständigungswürfel geschprachsvorbereitung - Nov 12 2022

web free der verständigungswurfel geschprachsvorbereitung entscheidungsfindung konfliktprophylaxe pdf download free deutsche gesetze gebundene ausgabe ii 2016 rechtsstand voraussichtlich september 2016 beck sche textausgaben pdf download anfang und ende des menschlichen lebens aus der sicht der medizin und der drei

der verständigungswürfel geschprachsvorbereitung - Jul 08 2022

web der verständigungswurfel geschprachsvorbereitung june 1st 2020 der verständigungswurfel geschprachsvorbereitung entscheidungsfindung konfliktprophylaxe hardcover by dujmic erbe daniela isbn 3525403623 isbn 13 online kptm edu my 1 2

der verständigungswurfel geschprachsvorbereitung en - Sep 22 2023

web recognizing the way ways to acquire this book der verständigungswurfel geschprachsvorbereitung en is additionally useful you have remained in right site to begin getting this info get the der verständigungswurfel geschprachsvorbereitung en join that we present here and check out the link you could purchase guide der

pdf the discursive construction of history academia edu - Aug 09 2022

web after 1945 and the end of wwii denying the holocaust became an explicit taboo in most european countries more specifically in austria denying the holocaust in public implies legal consequences the so called verbotsgesetz persecutes any public utterances which even insinuate national socialist ideology utterances symbols songs images and the

der verständigungswurfel geschprachsvorbereitung en - May 06 2022

web der verständigungswurfel geschprachsvorbereitung en 1 der verständigungswurfel geschprachsvorbereitung en when people should go to the books stores search launch by shop shelf by shelf it is in reality problematic this is why we present the book compilations in this website it will unquestionably ease you to see guide der verständigungswurfel

der verständigungswurfel geschprachsvorbereitung en - May 18 2023

web der verständigungswurfel geschprachsvorbereitung en downloaded from admin store motogp com by guest perez skylar miteinander sprechen utb gmbh wer möchte nicht im beruf und im privatleben bessere gespräche führen können Über die vervollkommnung der redefähigkeit gibt es viele bücher dieses buch dagegen setzt

der verständigungswurfel geschprachsvorbereitung en pdf - Apr 05 2022

web der verständigungswurfel geschprachsvorbereitung en when people should go to the book stores search instigation by shop shelf by shelf it is truly problematic this is why we present the ebook compilations in

der verständigungswurfel geschprachsvorbereitung en - Jun 19 2023

web times for their favorite books like this der verständigungswurfel geschprachsvorbereitung en but end up in infectious

downloads rather than enjoying a good book with a cup of tea in the afternoon instead they are facing with some harmful virus inside their computer der verstandigungswurfel geschprachsvorbereitung en is available in our digital

den vorwurf entkräften englisch Übersetzung linguee - Dec 13 2022

web viele übersetzte beispielsätze mit den vorwurf entkräften englisch deutsch wörterbuch und suchmaschine für millionen von englisch Übersetzungen

der verstandigungswurfel geschprachsvorbereitung en - Jan 02 2022

web der verstandigungswurfel geschprachsvorbereitung en 1 der verstandigungswurfel geschprachsvorbereitung en minimax interventions coaching als kreativer prozess der verständigungswürfel der verstandigungswurfel geschprachsvorbereitung en downloaded from helpdesk bricksave com by guest carter zion minimax

der verstandigungswurfel geschprachsvorbereitung en - Jul 20 2023

web 2 der verstandigungswurfel geschprachsvorbereitung en 2019 11 06 readily observable it takes a lot of time and experience to condense such a lot of information into such a short book and such powerful transformative effects into short therapeutic phrases manfred prior has studied the speech patterns of successful communication in

der verstandigungswurfel geschprachsvorbereitung en - Feb 03 2022

web 2 der verstandigungswurfel geschprachsvorbereitung en 2023 03 23 book is for you related with der verstandigungswurfel geschprachsvorbereitung en history of the saracens history of us navy uniforms history of urinary tract infection icd 10

der verständigungswürfel geschprächsvorbereitung - Oct 23 2023

web der rechteinhaber alle rechte vorbehalten mit einem geleitwort von friedemann schulz von thun der verstandigungswurfel geschprachsvorbereitung june 1st 2020 der verstandigungswurfel geschprachsvorbereitung entscheidungsfindung konfliktprophylaxe hardcover by dujmic erbe daniela isbn 3525403623 isbn 13 9783525403624 brand new

der verstandigungswurfel geschprachsvorbereitung en book - Mar 16 2023

web en is additionally useful you have remained in right site to begin getting this info get the der verstandigungswurfel geschprachsvorbereitung en colleague that we meet the expense of here and check out the link you could purchase guide der verstandigungswurfel geschprachsvorbereitung en or acquire it as soon as feasible

die verwirklichung der menschenwürde english translation - Oct 11 2022

web die hoffnung auf eine konstitutionalisierung der europäischen union u a um eine institutionelle staatsbürgerschaft in den internationalen gremien zu erreichen die gestaltung einer europäischen diplomatie entsprechend dem bericht galeote quecedo die sorge um die kultur die wir beherzigen müssen um neue formen der kolonialpolitik zu

vergewaltigungsvorwurf Übersetzung englisch deutsch dict cc - Mar 04 2022

web dict cc Übersetzungen für vergewaltigungsvorwurf im englisch deutsch wörterbuch mit echten sprachaufnahmen
illustrationen beugungsformen

der verstandigungswurfel gesprachsvorbereitung en - Feb 15 2023

web der verstandigungswurfel gesprachsvorbereitung en 1 der verstandigungswurfel gesprachsvorbereitung en this is
likewise one of the factors by obtaining the soft documents of this der verstandigungswurfel gesprachsvorbereitung en by
online you might not require more era to spend to go to the books initiation as skillfully as search for

den verwurf englisch Übersetzung linguee wörterbuch - Jan 14 2023

web viele übersetzte beispielsätze mit den verwurf englisch deutsch wörterbuch und suchmaschine für millionen von
englisch Übersetzungen

der verstandigungswurfel gesprachsvorbereitung en - Dec 01 2021

web der verstandigungswurfel gesprachsvorbereitung en minimax interventions manfred prior 2017 02 02 in minimax
interventions manfred prior presents therapeutic communication strategies that are designed to achieve a lot with just a few
linguistic alterations maximum results for minimal effort these tried and tested communication