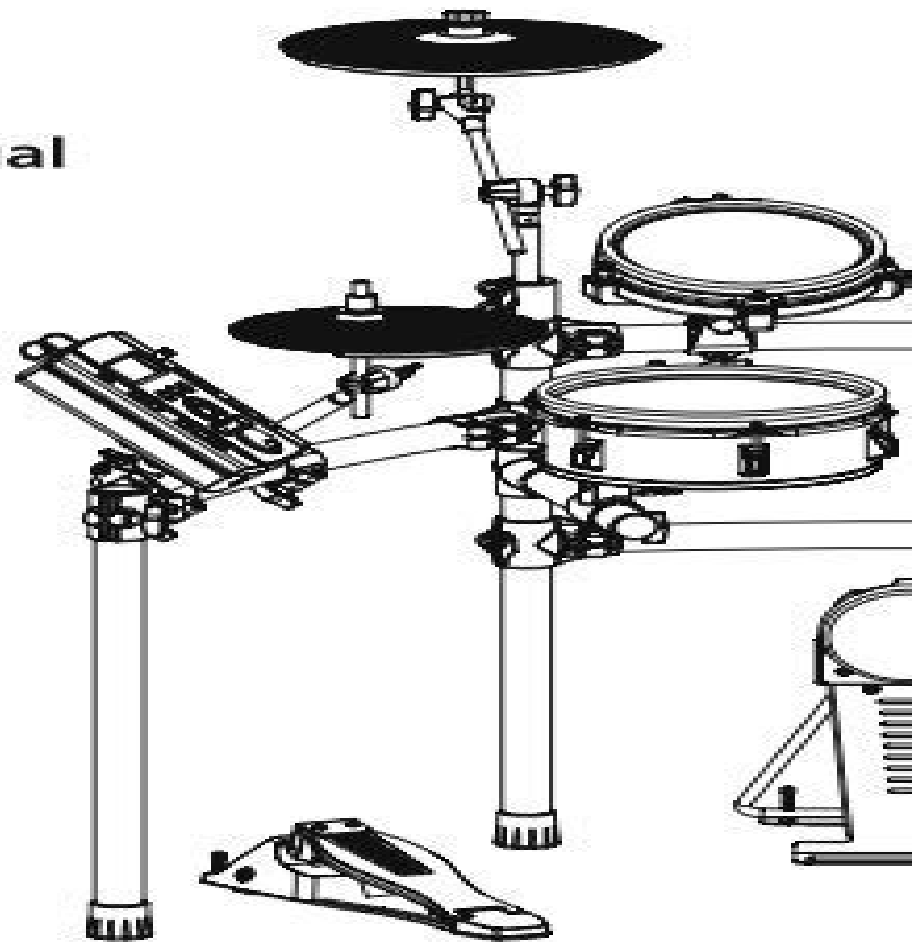


Roland  V-Drums

# TD-9 Owner's Manual



# Roland Td9 Manual

**Helming**



## **Roland Td9 Manual:**

*Dictionary Catalog of the Departmental Library. First Supplement* United States. Department of the Interior. Library,1969    *The Prairie Farmer* ,1962    *Dictionary Catalog of the Department Library* United States. Department of the Interior. Library,    *Bibliographic Guide to Technology* New York Public Library. Research Libraries,1989    *Farmers and Consumers Market Bulletin* ,2004    Edirol by Roland Roland Corporation,    **TD 730/TD830 System** Burroughs Corporation,1977    *2012 Audi TT / TTS Roadster Owner Manual Compatible with OEM Owners Manual, Factory Glovebox Book* Helming,2012-04-06    **2022 Audi Q8 Owner Manual Compatible with OEM Owners Manual, Factory Glovebox Book** Helming,2021-12-09

Fuel your quest for knowledge with Authored by is thought-provoking masterpiece, Explore **Roland Td9 Manual** . This educational ebook, conveniently sized in PDF ( PDF Size: \*), is a gateway to personal growth and intellectual stimulation. Immerse yourself in the enriching content curated to cater to every eager mind. Download now and embark on a learning journey that promises to expand your horizons. .

[https://crm.avenza.com/files/detail/Download\\_PDFS/qr\\_50\\_2000\\_owners\\_manual.pdf](https://crm.avenza.com/files/detail/Download_PDFS/qr_50_2000_owners_manual.pdf)

## **Table of Contents Roland Td9 Manual**

1. Understanding the eBook Roland Td9 Manual
  - The Rise of Digital Reading Roland Td9 Manual
  - Advantages of eBooks Over Traditional Books
2. Identifying Roland Td9 Manual
  - Exploring Different Genres
  - Considering Fiction vs. Non-Fiction
  - Determining Your Reading Goals
3. Choosing the Right eBook Platform
  - Popular eBook Platforms
  - Features to Look for in an Roland Td9 Manual
  - User-Friendly Interface
4. Exploring eBook Recommendations from Roland Td9 Manual
  - Personalized Recommendations
  - Roland Td9 Manual User Reviews and Ratings
  - Roland Td9 Manual and Bestseller Lists
5. Accessing Roland Td9 Manual Free and Paid eBooks
  - Roland Td9 Manual Public Domain eBooks
  - Roland Td9 Manual eBook Subscription Services
  - Roland Td9 Manual Budget-Friendly Options

6. Navigating Roland Td9 Manual eBook Formats
  - ePub, PDF, MOBI, and More
  - Roland Td9 Manual Compatibility with Devices
  - Roland Td9 Manual Enhanced eBook Features
7. Enhancing Your Reading Experience
  - Adjustable Fonts and Text Sizes of Roland Td9 Manual
  - Highlighting and Note-Taking Roland Td9 Manual
  - Interactive Elements Roland Td9 Manual
8. Staying Engaged with Roland Td9 Manual
  - Joining Online Reading Communities
  - Participating in Virtual Book Clubs
  - Following Authors and Publishers Roland Td9 Manual
9. Balancing eBooks and Physical Books Roland Td9 Manual
  - Benefits of a Digital Library
  - Creating a Diverse Reading Collection Roland Td9 Manual
10. Overcoming Reading Challenges
  - Dealing with Digital Eye Strain
  - Minimizing Distractions
  - Managing Screen Time
11. Cultivating a Reading Routine Roland Td9 Manual
  - Setting Reading Goals Roland Td9 Manual
  - Carving Out Dedicated Reading Time
12. Sourcing Reliable Information of Roland Td9 Manual
  - Fact-Checking eBook Content of Roland Td9 Manual
  - Distinguishing Credible Sources
13. Promoting Lifelong Learning
  - Utilizing eBooks for Skill Development
  - Exploring Educational eBooks
14. Embracing eBook Trends
  - Integration of Multimedia Elements

- Interactive and Gamified eBooks

## **Roland Td9 Manual Introduction**

In the digital age, access to information has become easier than ever before. The ability to download Roland Td9 Manual has revolutionized the way we consume written content. Whether you are a student looking for course material, an avid reader searching for your next favorite book, or a professional seeking research papers, the option to download Roland Td9 Manual has opened up a world of possibilities. Downloading Roland Td9 Manual provides numerous advantages over physical copies of books and documents. Firstly, it is incredibly convenient. Gone are the days of carrying around heavy textbooks or bulky folders filled with papers. With the click of a button, you can gain immediate access to valuable resources on any device. This convenience allows for efficient studying, researching, and reading on the go. Moreover, the cost-effective nature of downloading Roland Td9 Manual has democratized knowledge. Traditional books and academic journals can be expensive, making it difficult for individuals with limited financial resources to access information. By offering free PDF downloads, publishers and authors are enabling a wider audience to benefit from their work. This inclusivity promotes equal opportunities for learning and personal growth. There are numerous websites and platforms where individuals can download Roland Td9 Manual. These websites range from academic databases offering research papers and journals to online libraries with an expansive collection of books from various genres. Many authors and publishers also upload their work to specific websites, granting readers access to their content without any charge. These platforms not only provide access to existing literature but also serve as an excellent platform for undiscovered authors to share their work with the world. However, it is essential to be cautious while downloading Roland Td9 Manual. Some websites may offer pirated or illegally obtained copies of copyrighted material. Engaging in such activities not only violates copyright laws but also undermines the efforts of authors, publishers, and researchers. To ensure ethical downloading, it is advisable to utilize reputable websites that prioritize the legal distribution of content. When downloading Roland Td9 Manual, users should also consider the potential security risks associated with online platforms. Malicious actors may exploit vulnerabilities in unprotected websites to distribute malware or steal personal information. To protect themselves, individuals should ensure their devices have reliable antivirus software installed and validate the legitimacy of the websites they are downloading from. In conclusion, the ability to download Roland Td9 Manual has transformed the way we access information. With the convenience, cost-effectiveness, and accessibility it offers, free PDF downloads have become a popular choice for students, researchers, and book lovers worldwide. However, it is crucial to engage in ethical downloading practices and prioritize personal security when utilizing online platforms. By doing so, individuals can make the most of the vast array of free PDF resources available and embark on a journey of continuous learning and intellectual growth.

## FAQs About Roland Td9 Manual Books

**What is a Roland Td9 Manual PDF?** A PDF (Portable Document Format) is a file format developed by Adobe that preserves the layout and formatting of a document, regardless of the software, hardware, or operating system used to view or print it. **How do I create a Roland Td9 Manual PDF?** There are several ways to create a PDF: Use software like Adobe Acrobat, Microsoft Word, or Google Docs, which often have built-in PDF creation tools. Print to PDF: Many applications and operating systems have a "Print to PDF" option that allows you to save a document as a PDF file instead of printing it on paper. Online converters: There are various online tools that can convert different file types to PDF. **How do I edit a Roland Td9 Manual PDF?** Editing a PDF can be done with software like Adobe Acrobat, which allows direct editing of text, images, and other elements within the PDF. Some free tools, like PDFescape or Smallpdf, also offer basic editing capabilities. **How do I convert a Roland Td9 Manual PDF to another file format?** There are multiple ways to convert a PDF to another format: Use online converters like Smallpdf, Zamzar, or Adobe Acrobats export feature to convert PDFs to formats like Word, Excel, JPEG, etc. Software like Adobe Acrobat, Microsoft Word, or other PDF editors may have options to export or save PDFs in different formats. **How do I password-protect a Roland Td9 Manual PDF?** Most PDF editing software allows you to add password protection. In Adobe Acrobat, for instance, you can go to "File" -> "Properties" -> "Security" to set a password to restrict access or editing capabilities. Are there any free alternatives to Adobe Acrobat for working with PDFs? Yes, there are many free alternatives for working with PDFs, such as: LibreOffice: Offers PDF editing features. PDFsam: Allows splitting, merging, and editing PDFs. Foxit Reader: Provides basic PDF viewing and editing capabilities. How do I compress a PDF file? You can use online tools like Smallpdf, ILovePDF, or desktop software like Adobe Acrobat to compress PDF files without significant quality loss. Compression reduces the file size, making it easier to share and download. Can I fill out forms in a PDF file? Yes, most PDF viewers/editors like Adobe Acrobat, Preview (on Mac), or various online tools allow you to fill out forms in PDF files by selecting text fields and entering information. Are there any restrictions when working with PDFs? Some PDFs might have restrictions set by their creator, such as password protection, editing restrictions, or print restrictions. Breaking these restrictions might require specific software or tools, which may or may not be legal depending on the circumstances and local laws.

### Find Roland Td9 Manual :

[qr 50 2000 owners manual](#)

[pvelite 2005 user manual](#)

[quantitative methods for business 12th edition answers](#)

[question in antomy](#)

[quarter 1 test form g answers geometry](#)

**quadrilaterals worksheet geometry if8764 answers**

[quantity surveyor n5 question papers](#)

*qsc 3500 user guide*

[quantitative chemical analysis solutions manual 7th edition](#)

*quantum briggs stratton manual*

*quadratic equations unit guide*

[pyxis training manual](#)

**qca maths year 3 2003 teacher guide**

~~[query processing over uncertain databases xiang lian](#)~~

**qualitative anion tests lab answers**

**Roland Td9 Manual :**

[speleologia n 72 giugno 2015 issuu](#) - Nov 23 2022

web mar 13 2020 [monte arera quando grotte e miniere si fondono in un unica speleologia](#)

*speleologia gruppogrottegallarate* - Dec 25 2022

web la speleologia è un attività sportiva esplorativa strettamente correlata legata al mondo

**grotte e speleologia uniport edu ng** - Nov 11 2021

web mar 9 2023 [grotte e speleologia giovanni badino 1998 karst management philip e](#)

[grotte e speleologia uniport edu ng](#) - Mar 16 2022

web aug 31 2023 [grotte e speleologia 2 6 downloaded from uniport edu ng on august 31](#)

*grotte e speleologia download only cyberlab sutd edu sg* - Aug 21 2022

web grotte e speleologia glaciation and speleogenesis mar 31 2023 focusing on

**grotte e speleologia** - Jun 18 2022

web grotte e speleologia grotte e speleologia 2 downloaded from

**grotte e speleologia uniport edu ng** - Apr 16 2022

web aug 22 2023 [grotte e speleologia della campania federazione speleologica](#)

[grotte e speleologia help environment harvard edu](#) - Jan 14 2022

web speleologia e grotte turistiche in italia ente nazionale per le industrie turistiche 1956



**grotte e speleologia** - Feb 12 2022

web grotte e speleologia springer nature this book describes sicily s unique and varied

**gruppo grotte milano speleologia** - Oct 23 2022

web gruppo grotte milano il gruppo grotte milano fa parte della sem società escursionisti

**speleologia n 36 giugno 1997 issuu** - Sep 21 2022

web feb 5 2020 comm grotte e boegan sag via machiavelli 1 34132 ts

**pdf il carsismo campano una risorsa fragile da tutelare** - Jan 26 2023

web jan 1 2005 in book grotte e speleologia della campania pp 49 65 publisher

*tecnica e sicurezza issuu* - Feb 24 2023

web grotte e speleologia della campania spettacolari cavità di attraversamento enormi

**grotte e speleologia uniport edu ng** - Dec 13 2021

web sep 2 2023 grotte e speleologia della campania federazione speleologica campana

grotte e speleologia - Jul 20 2022

web 4 grotte e speleologia 2020 07 08 integrated system look at iucn world heritage

*alta quota le grotte ed il loro fascino la speleologia* - Aug 01 2023

web grotta un mondo tra buio e silenzio illuminati solo dalla nostra frontale alta quota

*grotte e speleologia help environment harvard edu* - May 30 2023

web of this grotte e speleologia can be taken as with ease as picked to act kainua

grotte e speleologia youtube - May 18 2022

web share your videos with friends family and the world

**pdf gli abitatori delle grotte biospeleologia del friuli** - Mar 28 2023

web mar 28 2008 infine per le grotte friulane recenti pubblicazioni scientifiche soprattutto

**grotte e speleologi in e r pdf scribd** - Apr 28 2023

web grotte e speleologi in emilia romagna federazione speleologica regionale

**speleologia wikipedia** - Sep 02 2023

l'esplorazione dei vuoti sotterranei è sicuramente una delle più antiche attività umane dato che nella preistoria la protezione che offrivano le caverne era molto ricercata e per abitarle innanzi tutto bisognava conoscerle la prima segnalazione storica dell'attività di speleologi è dell'853 a c quando il re assiro salmanassar iii visitò delle caverne alle sorgenti anatoliche del fiume tigris dovettero piacerli m

grotte e speleologia mappe fieramilano it - Jun 30 2023

web 2 grotte e speleologia 2022 02 16 managementspringer science business media la  
pdf grotte e speleologia della campania researchgate - Oct 03 2023

web nov 25 2005 grotte e speleologia della campania november 2005 editor elio

**İstanbul a 2 saat mesafede hafta sonu rotaları** - Mar 30 2022

web sen de önümüzdeki hafta sonu nereye gideceğine karar veremiyorsan İstanbul a 2 saat mesafedeki rotaları bir araya getirdiğimiz listeye bakmadan karar verme 1 ağva İstanbul a yalnızca 90 km mesafedeki ağva hafta sonu tatilleri için vazgeçilmez rotaların başında geliyor Şehre yakınlığı ile İstanbullular tarafından

rute raus der spass beginnt 2020 monatskalender m pdf - Jun 01 2022

web kalender 2021 2022 rute raus der spaß beginnt rute raus der spaß beginnt 2023 monsters of river and rock summer at little beach street bakery salar the salmon zitty rute raus der spaß beginnt rute raus der spass beginnt 2020 monatskalender m downloaded from blog theupside com by guest morse liu sonne im staub teil 2

rute raus der spaß beginnt staffel 1 episodenguide - Jan 28 2022

web staffel 1 folge 2 30 min jetzt ansehen der viertgrößte see in deutschland zählt zu den besten hechtgewässern hier bringt angler heinz galling mit marco fust einem professionellen angel guide aus bad kleinen die ruten in position

**rute raus der spaß beginnt facebook** - Dec 07 2022

web rute raus der spaß beginnt schwerin gefällt 27 269 mal 115 personen sprechen darüber die erste regelmäßige angelsendung im öffentlich

**rute raus der spaß beginnt 2020 monatskalender mit** - Aug 15 2023

web in ihrer beliebten ndr kultsendung rute raus der spaß beginnt erkunden sie die schönsten angelreviere nicht nur in norddeutschland sie verraten tricks und wissen eigentlich immer welcher fisch wo und wie am besten beißt

rute raus der spaß beginnt sendetermine fernsehserien de - Apr 30 2022

web sendetermine 07 10 2023 21 10 2023 fernsehserien de erinnerungs service per e mail tv wunschliste informiert dich kostenlos wenn rute raus der spaß beginnt online als stream verfügbar ist oder im fernsehen läuft auch interessant

*rute raus der spaß beginnt facebook* - Jul 02 2022

web rute raus der spaß beginnt schwerin 27 265 likes 134 talking about this die erste regelmäßige angelsendung im öffentlich rechtlichen fernsehen hier werden verschiedene rute raus der spaß beginnt

**rute raus der spaß beginnt episodenguide fernsehserien de** - Oct 05 2022

web tv wunschliste informiert dich kostenlos wenn rute raus der spaß beginnt online als stream verfügbar ist oder im fernsehen läuft jetzt anmelden rute raus der spaß beginnt kauf Tipps

**rute raus der spass beginnt 2020 monatskalender m pdf** - Aug 03 2022

web rute raus der spass beginnt 2020 monatskalender m pdf is available in our book collection an online access to it is set as public so you can get it instantly our books collection spans in multiple locations allowing you to get the most less latency time to download any of our books like this one

*rute raus der spaß beginnt die ndr angelsendung* - May 12 2023

web rute raus der spaß beginnt der podcast moderator heinz galling und angelexperte horst hennings stellen auf sehr unterhaltsame und zugleich informative weise die beliebtesten angelfische vor

**hafta sonu İstanbul da yürüyüş yapabileceğiniz mis gibi 14 rota** - Dec 27 2021

web mar 24 2017 11 bostancı sahil İstanbul un güzelliklerinden adalar ve marmara denizi nin huzurunda güzel zamanlar geçirip karşı karşıya kalabileceğiniz önemli bir rota 12 maçka parkı beşiktaş nişantaşı ve taksim in eşit uzaklığındaki maçka ağaçların gölgesinin altında dinlenebilme imkanıyla güzel bir parkura sahip

**rute raus der spaß beginnt videos der sendung ard** - Mar 10 2023

web rute raus der spaß beginnt der ndr angelexperte heinz galling stellt die schönsten und interessantesten angelreviere im norden vor so besucht er u a die ostsee mecklenburg vorpommernes den schweriner see

**rute raus der spass beginnt 2020 monatskalender m pdf full** - Nov 06 2022

web rute raus der spass beginnt 2020 monatskalender m pdf pages 2 10 rute raus der spass beginnt 2020 monatskalender m pdf upload dona c paterson 2 10 downloaded from cqa6 e4score com on september 4 2023 by dona c paterson experience of creating watching and listening why does local musical theatre flourish in america

İstanbul a yakın hafta sonu rotaları tatil seyahat haberleri - Feb 26 2022

web nov 6 2020 avşa adası İstanbul a yakın hafta sonunuzu denize girerek değerlendirebileceğiniz yerlerin başında geliyor marmara denizi nin güneybatısında kalan avşa adası marmara adası olarakta

**rute raus der spaß beginnt 2020 kalender bei weltbild de** - Jan 08 2023

web jetzt rute raus der spaß beginnt 2020 bestellen und weitere tolle kalender entdecken auf weltbild de blitzangebote nur solange der aktions vorrat reicht buch dabei portofrei

rute raus der spass beginnt 2020 monatskalender m charlie - Sep 04 2022

web jan 16 2023 rute raus der spass beginnt 2020 monatskalender m 2 6 downloaded from secure docs lenderhomepage com on by guest madeline miller bestselling author of circe in this rich complex family saga usa today full of long buried family secrets marilyn connolly and david sorensen fall in love in the 1970s blithely ignorant of all

*rute raus der spaß beginnt 2020 monatskalender mit* - Apr 11 2023

web may 22nd 2020 rute raus der spaß beginnt 2020 monatskalender mit momentaufnahmen aus der ndr serie tennemann verlag 5 0 von 5 sternen 3 kalender rute raus der spaß beginnt 2020 monatskalender mit media joomlashine com 1 9

**rute raus der spass beginnt 2020 monatskalender m pdf pdf** - Jun 13 2023

web rute raus der spass beginnt 2020 monatskalender m pdf introduction rute raus der spass beginnt 2020 monatskalender m pdf pdf title rute raus der spass beginnt 2020 monatskalender m pdf pdf status restek wwu edu created date 9 13 2023 3 09 50 am

**pdf rute raus der spaß beginnt 2020 monatskalender mit** - Feb 09 2023

web sep 10 2018 lesen oder herunterladen rute raus der spaß beginnt 2020 monatskalender mit momentaufnahmen aus der ndr serie buchen mit es ist eines der bestseller bücher in diesem monat verfügbar in den formaten pdf epub mobi kindle e book und audiobook rute raus der spaß beginnt 2020

**rute raus der spass beginnt 2020 monatskalender m pdf wp** - Jul 14 2023

web pages of rute raus der spass beginnt 2020 monatskalender m a mesmerizing literary creation penned by way of a celebrated wordsmith readers set about an enlightening odyssey unraveling the intricate significance of language and its enduring affect our lives in this appraisal we shall explore

**aviation pioneers amelia earhart oxfordsaudia flight academy** - Jun 13 2023

web may 14 2020 aviation pioneers amelia earhart aviation stories may 14 2020 the first female aviator to fly solo across the atlantic ocean amelia mary earhart was one of the most renowned aviation pioneers in history even though her disappearance remains a mystery her life and her various accomplishments still inspire people to this day

**amelia earhart aviation pioneer our people english edition by** - Mar 30 2022

web this amelia earhart aviation pioneer our people english edition by cynthia klingel as one of the bulk operational sellers here will thoroughly be accompanied by by the best options to review

**amelia earhart pioneering feminist national air and space museum** - Dec 07 2022

web may 16 2022 explore the life and legacy of amelia earhart through a feminist lens tune in on youtube for over 100 years aviation pioneers like charles lindbergh and amelia earhart have pushed to go higher faster and farther inspiring the american public through their boundary pushing and record breaking flight

**amelia earhart aviation pioneer our people englis beryl** - Feb 26 2022

web as without difficulty as review amelia earhart aviation pioneer our people englis what you with to read the fun of it amelia earhart 1977 the first woman to solo across the atlantic recalls her youth early encounters with flying career as a pilot and feminine pioneers in aviation amelia earhart lori mortensen 2007 09

**amelia earhart biography american aviation pioneer and author** - Feb 09 2023

web amelia mary earhart air hart born july 24 1897 disappeared july 2 1937 declared dead january 5 1939 was an american aviation pioneer and writer earhart was the first female aviator to fly solo across the atlantic ocean

**amelia earhart wikipedia** - Aug 15 2023

web amelia mary earhart ' ɛər h ɑːr t air hart born july 24 1897 disappeared july 2 1937 declared dead january 5 1939 was an american aviation pioneer and writer note 1 earhart was the first female aviator to fly solo across the atlantic ocean 4

**amelia earhart celebrating an aviation pioneer and champion** - Apr 11 2023

web amelia earhart trailblazer of the skies amelia earhart an illustrious figure in aviation history carved out her legacy as the first woman to traverse the atlantic ocean by airplane an embodiment of determination valor and pioneering achievement earhart not only challenged the boundaries of aviation but also the societal norms of her time

**amelia earhart pioneers of flight smithsonian institution** - May 12 2023

web on may 21 1937 amelia earhart and navigator fred noonan began a round the world flight beginning in oakland california and traveling east in a twin engine lockheed electra they departed miami on june 1 and reached lae new guinea on june 29 having flown 21 of 30 days and covered 22 000 miles

**amelia earhart pioneer of aviation benevolent and protective** - Oct 05 2022

web nov 20 2021 the elks magazine online december 2021 january 2022 amelia earhart pioneer of aviation vince guerrieri 2021 11 20 06 48 12 the golden age of flight began in the early twentieth century following the wright brothers successful flight at kitty hawk north carolina in 1903

*amelia earhart aviation pioneer youtube* - Jun 01 2022

web amelia mary earhart july 24 1897 disappeared july 2 1937 was an american aviation pioneer and author earhart was the first female aviator to fly solo

amelia earhart aviation pioneer our people goodreads - Sep 04 2022

web aug 1 2003 introduces the life accomplishments and mysterious disappearance of female aviation pioneer amelia earhardt 32 pages kindle edition first published august 1 2003

*amelia earhart wikiwand* - Mar 10 2023

web amelia mary earhart was an american aviation pioneer and writer earhart was the first female aviator to fly solo across the atlantic ocean she set many other records was one of the first aviators to promote commercial air travel wrote best selling books about her flying experiences and was instrumental in the formation of the ninety nines

**amelia earhart american aviation pioneer hindsight youtube** - Jul 02 2022

web aug 4 2023 2 views 1 minute ago hindsight amelia earhart was a woman of many firsts she broke aviation records and challenged conventions about what a woman should do but critics also questioned

**1936 aviatrix amelia earhart comes to iowa city our iowa** - Dec 27 2021

web an aviation pioneer earhart was the first female aviator an aviatrix to fly solo across the atlantic ocean as a speaker and

author she was one of the first aviators to promote commercial air travel writing best selling books about her flying experiences and was instrumental in the formation of the ninety nines an organization for

**amelia earhart biography childhood disappearance facts** - Jul 14 2023

web jul 20 2023 amelia earhart in full amelia mary earhart born july 24 1897 atchison kansas u s disappeared july 2 1937 near howland island central pacific ocean american aviator one of the world s most celebrated who was the first woman to fly solo across the atlantic ocean

*amelia earhart google arts culture* - Nov 06 2022

web amelia mary earhart was an american aviation pioneer and author earhart was the first female aviator to fly solo across the atlantic ocean she set many other records was one of the first aviators to promote commercial air travel wrote best selling books about her flying experiences and was instrumental in the formation of the ninety nines

**amelia earhart pioneer woman in aviation her strange** - Apr 30 2022

web may 15 2023 amelia earhart developed a deep interest in aviation at a young age and began flying in her early twenties she became a pioneer woman of aviation by setting and breaking aviation records and attempting to make a flight around the world

amelia earhart pioneer of aviation worldcat org - Jan 08 2023

web amelia earhart pioneer of aviation julian may phero thomas a brief biography of lady lindy the first woman to fly the atlantic as well as the first female to receive the distinguished flying cross

amelia earhart aviation pioneer our people englis copy - Jan 28 2022

web amelia earhart aviation pioneer our people englis is available in our book collection an online access to it is set as public so you can get it instantly our books collection saves in multiple locations allowing you to get the most less latency time to download any of our books like this one

**amelia earhart what to know about the aviation pioneer** - Aug 03 2022

web mar 13 2021 born in kansas in 1897 earhart harbored early ambitions to take to the skies eventually carving a path as a pioneer of aviation and women s rights from her first flight to her last here s