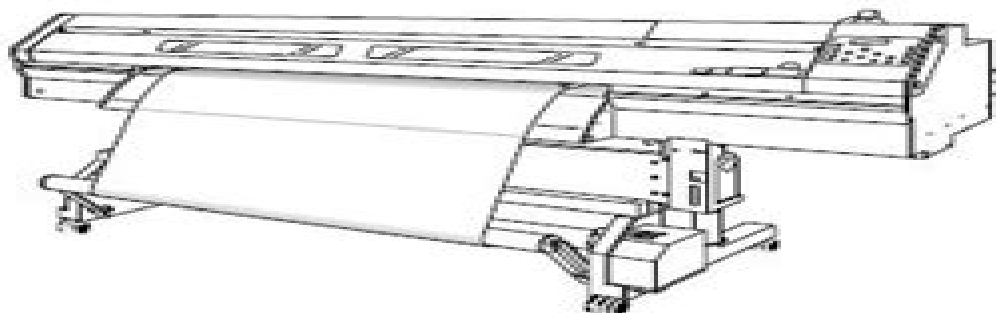


SOLJET PRO III XC-540

SIGN MAKER BY ROLAND DG CORPORATION

Confidential



TERMS OF USE

Users of this Service Note shall be deemed to agree with the following Terms of Use.

1. USERS

This Service Note is only for authorized persons with user ID and password issued by Roland DG Corporation.

2. PURPOSE

Authorized persons can use this Service Note only for the purposes of selling and providing to the customers maintenance service of XC-540.

3. REUSE

Authorized persons shall not disclose, transfer, rent or distribute this Service Note to, or allow this Service Note to be used in any manner by, any third party other than authorized persons.

4. REPRODUCTION

Authorized persons shall not copy, change or alter this Service Note without permission of Roland DG Corporation.

5. EFFECT OF VIOLATION

Regardless of circumstances, we will vigorously respond to any violation hereof, through legal action.

Roland DG Corporation

Copyright © 2012 ROLAND DG CORPORATION

Rol Xc 540 Service Manual

Victor M. Corman



Rol Xc 540 Service Manual:

If you are craving such a referred **Rol Xc 540 Service Manual** book that will pay for you worth, acquire the entirely best seller from us currently from several preferred authors. If you desire to funny books, lots of novels, tale, jokes, and more fictions collections are afterward launched, from best seller to one of the most current released.

You may not be perplexed to enjoy every books collections Rol Xc 540 Service Manual that we will agreed offer. It is not vis--vis the costs. Its not quite what you dependence currently. This Rol Xc 540 Service Manual, as one of the most working sellers here will extremely be among the best options to review.

https://crm.avenza.com/public/publication/fetch.php/roman_de_tristan_et_iseut.pdf

Table of Contents Rol Xc 540 Service Manual

1. Understanding the eBook Rol Xc 540 Service Manual
 - The Rise of Digital Reading Rol Xc 540 Service Manual
 - Advantages of eBooks Over Traditional Books
2. Identifying Rol Xc 540 Service Manual
 - Exploring Different Genres
 - Considering Fiction vs. Non-Fiction
 - Determining Your Reading Goals
3. Choosing the Right eBook Platform
 - Popular eBook Platforms
 - Features to Look for in an Rol Xc 540 Service Manual
 - User-Friendly Interface
4. Exploring eBook Recommendations from Rol Xc 540 Service Manual
 - Personalized Recommendations
 - Rol Xc 540 Service Manual User Reviews and Ratings
 - Rol Xc 540 Service Manual and Bestseller Lists
5. Accessing Rol Xc 540 Service Manual Free and Paid eBooks

- Rol Xc 540 Service Manual Public Domain eBooks
 - Rol Xc 540 Service Manual eBook Subscription Services
 - Rol Xc 540 Service Manual Budget-Friendly Options
6. Navigating Rol Xc 540 Service Manual eBook Formats
 - ePub, PDF, MOBI, and More
 - Rol Xc 540 Service Manual Compatibility with Devices
 - Rol Xc 540 Service Manual Enhanced eBook Features
 7. Enhancing Your Reading Experience
 - Adjustable Fonts and Text Sizes of Rol Xc 540 Service Manual
 - Highlighting and Note-Taking Rol Xc 540 Service Manual
 - Interactive Elements Rol Xc 540 Service Manual
 8. Staying Engaged with Rol Xc 540 Service Manual
 - Joining Online Reading Communities
 - Participating in Virtual Book Clubs
 - Following Authors and Publishers Rol Xc 540 Service Manual
 9. Balancing eBooks and Physical Books Rol Xc 540 Service Manual
 - Benefits of a Digital Library
 - Creating a Diverse Reading Collection Rol Xc 540 Service Manual
 10. Overcoming Reading Challenges
 - Dealing with Digital Eye Strain
 - Minimizing Distractions
 - Managing Screen Time
 11. Cultivating a Reading Routine Rol Xc 540 Service Manual
 - Setting Reading Goals Rol Xc 540 Service Manual
 - Carving Out Dedicated Reading Time
 12. Sourcing Reliable Information of Rol Xc 540 Service Manual
 - Fact-Checking eBook Content of Rol Xc 540 Service Manual
 - Distinguishing Credible Sources
 13. Promoting Lifelong Learning
 - Utilizing eBooks for Skill Development

- Exploring Educational eBooks
- 14. Embracing eBook Trends
 - Integration of Multimedia Elements
 - Interactive and Gamified eBooks

Rol Xc 540 Service Manual Introduction

Rol Xc 540 Service Manual Offers over 60,000 free eBooks, including many classics that are in the public domain. Open Library: Provides access to over 1 million free eBooks, including classic literature and contemporary works. Rol Xc 540 Service Manual Offers a vast collection of books, some of which are available for free as PDF downloads, particularly older books in the public domain. Rol Xc 540 Service Manual : This website hosts a vast collection of scientific articles, books, and textbooks. While it operates in a legal gray area due to copyright issues, its a popular resource for finding various publications. Internet Archive for Rol Xc 540 Service Manual : Has an extensive collection of digital content, including books, articles, videos, and more. It has a massive library of free downloadable books. Free-eBooks Rol Xc 540 Service Manual Offers a diverse range of free eBooks across various genres. Rol Xc 540 Service Manual Focuses mainly on educational books, textbooks, and business books. It offers free PDF downloads for educational purposes. Rol Xc 540 Service Manual Provides a large selection of free eBooks in different genres, which are available for download in various formats, including PDF. Finding specific Rol Xc 540 Service Manual, especially related to Rol Xc 540 Service Manual, might be challenging as theyre often artistic creations rather than practical blueprints. However, you can explore the following steps to search for or create your own Online Searches: Look for websites, forums, or blogs dedicated to Rol Xc 540 Service Manual, Sometimes enthusiasts share their designs or concepts in PDF format. Books and Magazines Some Rol Xc 540 Service Manual books or magazines might include. Look for these in online stores or libraries. Remember that while Rol Xc 540 Service Manual, sharing copyrighted material without permission is not legal. Always ensure youre either creating your own or obtaining them from legitimate sources that allow sharing and downloading. Library Check if your local library offers eBook lending services. Many libraries have digital catalogs where you can borrow Rol Xc 540 Service Manual eBooks for free, including popular titles. Online Retailers: Websites like Amazon, Google Books, or Apple Books often sell eBooks. Sometimes, authors or publishers offer promotions or free periods for certain books. Authors Website Occasionally, authors provide excerpts or short stories for free on their websites. While this might not be the Rol Xc 540 Service Manual full book , it can give you a taste of the authors writing style. Subscription Services Platforms like Kindle Unlimited or Scribd offer subscription-based access to a wide range of Rol Xc 540 Service Manual eBooks, including some popular titles.

FAQs About Rol Xc 540 Service Manual Books

1. Where can I buy Rol Xc 540 Service Manual books? Bookstores: Physical bookstores like Barnes & Noble, Waterstones, and independent local stores. Online Retailers: Amazon, Book Depository, and various online bookstores offer a wide range of books in physical and digital formats.
2. What are the different book formats available? Hardcover: Sturdy and durable, usually more expensive. Paperback: Cheaper, lighter, and more portable than hardcovers. E-books: Digital books available for e-readers like Kindle or software like Apple Books, Kindle, and Google Play Books.
3. How do I choose a Rol Xc 540 Service Manual book to read? Genres: Consider the genre you enjoy (fiction, non-fiction, mystery, sci-fi, etc.). Recommendations: Ask friends, join book clubs, or explore online reviews and recommendations. Author: If you like a particular author, you might enjoy more of their work.
4. How do I take care of Rol Xc 540 Service Manual books? Storage: Keep them away from direct sunlight and in a dry environment. Handling: Avoid folding pages, use bookmarks, and handle them with clean hands. Cleaning: Gently dust the covers and pages occasionally.
5. Can I borrow books without buying them? Public Libraries: Local libraries offer a wide range of books for borrowing. Book Swaps: Community book exchanges or online platforms where people exchange books.
6. How can I track my reading progress or manage my book collection? Book Tracking Apps: Goodreads, LibraryThing, and Book Catalogue are popular apps for tracking your reading progress and managing book collections. Spreadsheets: You can create your own spreadsheet to track books read, ratings, and other details.
7. What are Rol Xc 540 Service Manual audiobooks, and where can I find them? Audiobooks: Audio recordings of books, perfect for listening while commuting or multitasking. Platforms: Audible, LibriVox, and Google Play Books offer a wide selection of audiobooks.
8. How do I support authors or the book industry? Buy Books: Purchase books from authors or independent bookstores. Reviews: Leave reviews on platforms like Goodreads or Amazon. Promotion: Share your favorite books on social media or recommend them to friends.
9. Are there book clubs or reading communities I can join? Local Clubs: Check for local book clubs in libraries or community centers. Online Communities: Platforms like Goodreads have virtual book clubs and discussion groups.
10. Can I read Rol Xc 540 Service Manual books for free? Public Domain Books: Many classic books are available for free as they're in the public domain. Free E-books: Some websites offer free e-books legally, like Project Gutenberg or Open Library.

Find Rol Xc 540 Service Manual :

roman de tristan et iseut

rogawski multivariable calculus instructor s solutions

roger kerin marketing in asia

robespierre derniers temps

rocketeer nouvelles aventures t0le cargo maudit

rock cycle fill in the blank diagram

rock band manual song update

rolm phonemail manual

rollease fabrication manual

rogawski calculus for ap even solutions

roland sd 50 manual

rolm phonemail user guide

rogers tv guide ottawa on

roland synth service manual

roid huawei u8100-9 user guide

Rol Xc 540 Service Manual :

Şablon tarihte bugün 24 aralık vikipedi - May 23 2022

web 24 aralık 1865 irkçı ku klux klan örgütü kuruldu 1871 giuseppe verdi nin aida operasının ilk gösterimi yapıldı 1951 libya İtalya dan bağımsızlığını ilan etti 1968

veglia 24 agosto 2016 italian edition kindle edition amazon de - Jun 04 2023

web veglia 24 agosto 2016 italian edition ebook vari autori amazon de kindle store

veglia 24 agosto 2016 italian edition paperback amazon com - Jan 19 2022

web jun 1 2017 amazon com veglia 24 agosto 2016 italian edition 9781520188270 vari autori books

veglia 24 agosto 2016 italian edition kindle edition - Sep 07 2023

web nov 16 2016 amazon com veglia 24 agosto 2016 italian edition ebook vari autori kindle store

bilişsel Önyargı nedir Çeşitleri ve Örnekleri sezgin koyun - Oct 28 2022

web apr 1 2020 bilgi işlerken yaptığımız bu düşünme hataları bilişsel önyargı olarak bilinir bilişsel önyargular çeşitli

nedenlerle gelişir Örneğin bellekteki hatalar belirli bir olay

venezuela bayrağı wikipedi - Jul 25 2022

web venezuela bayrağı günümüzdeki bayrağa benzer şekilde ilk olarak 1806 yılında göndere çekilmiş zaman içerisinde ülkenin konumu nedeniyle de birçok kez değişikliğe uğramış

amazon co uk customer reviews veglia 24 agosto 2016 - Apr 02 2023

web find helpful customer reviews and review ratings for veglia 24 agosto 2016 italian edition at amazon com read honest and unbiased product reviews from our users

veglia 24 agosto 2016 gsevocab pearsonelt com - Dec 30 2022

web veglia veglia 24 agosto 2016 downloaded from gsevocab pearsonelt com by guest sherlyn banks l ermetismo e firenze springer science business media nmr

veglia 24 agosto 2016 vari autori amazon ca books - Mar 21 2022

web jun 1 2017 select the department you want to search in

veglia 24 agosto 2016 uniport edu ng - Aug 26 2022

web veglia 24 agosto 2016 1 1 downloaded from uniport edu ng on march 4 2023 by guest veglia 24 agosto 2016 right here we have countless book veglia 24 agosto 2016 and

veglia by autori vari open library - Mar 01 2023

web nov 21 2022 veglia by autori vari 2017 independently published edition in italian it looks like you re offline donate Čeština cs deutsch de veglia 24 agosto 2016

bakan karaismailoğlu pandemide avrasya tüneli nden 45 bin - Apr 21 2022

web nov 20 2020 bakan karaismailoğlu pandemide avrasya tüneli nden 45 bin araç geçti ulaştırma ve altyapı bakanı adil karaismailoğlu yap işlet devret modellerinde uygulanan

veglia 24 agosto 2016 help environment harvard edu - Feb 17 2022

web veglia 24 agosto 2016 when people should go to the ebook stores search opening by shop shelf by shelf it is really problematic this is why we present the ebook

sıla yolu 2022 otoyol ve vinyet Ücretleri sıla yolu sevenler - Jun 23 2022

web jan 23 2022 sıla yolu güzergahı üzerinde birçok ülkede otoyolları kullanmak için vinyet zorunluluğu vardır aksi takdirde ağır cezalar ödeyebilirsiniz aldığınız vinyetlerin

veglia 24 agosto 2016 uniport edu ng - Sep 26 2022

web aug 4 2023 veglia 24 agosto 2016 1 1 downloaded from uniport edu ng on august 4 2023 by guest veglia 24 agosto 2016 eventually you will categorically discover a

veglia 24 agosto 2016 vari autori amazon de bücher - Jan 31 2023

web veglia 24 agosto 2016 vari autori isbn 9781520188270 kostenloser versand für alle bücher mit versand und verkauf duch amazon

[veglia 24 agosto 2016 help environment harvard edu](#) - Nov 28 2022

web veglia 24 agosto 2016 if you ally dependence such a referred veglia 24 agosto 2016 book that will present you worth get the utterly best seller from us currently from several

veglia 24 agosto 2016 italian edition kindle edition - May 03 2023

web veglia 24 agosto 2016 italian edition ebook vari autori amazon com au kindle store

veglia 24 agosto 2016 paperback 1 jun 2017 amazon co uk - Jul 05 2023

web buy veglia 24 agosto 2016 by vari autori isbn 9781520188270 from amazon s book store everyday low prices and free delivery on eligible orders

veglia 24 agosto 2016 vari autori amazon com tr kitap - Oct 08 2023

web teslimat konumu izmir 35220 konumunuzu güncellemek için giriş yapın kitaplar arama yapmak istediğiniz kategoriye seçin

veglia 24 agosto 2016 italian edition kindle edition amazon in - Aug 06 2023

web veglia 24 agosto 2016 italian edition ebook vari autori amazon in kindle store

veglia 24 agosto 2016 italian edition kindle edition amazon ca - Dec 18 2021

web select the department you want to search in

marsupilami17gehei mnisvollespalumbien 17 - Jan 20 2022

web marsupilami sirke gidiyor marsupilami uzun kuyruk 3 bölüm 10 yıl önce 249 035 izlenme 21 56 uzun kuyruk 10 yıl önce 17 619 izlenme 22 22 marsupilami ve

marsupilami 17 geheimnisvolles palumbien abenteuercomics - Dec 31 2022

web buy marsupilami 17 geheimnisvolles palumbien abenteuercomics für kinder ab 8 by online on amazon ae at best prices fast and free shipping free returns cash on delivery

marsupilami 17 geheimnisvolles palumbien abenteuercomics - Nov 29 2022

web ab 7 j buch von colman stéphan marsupilami 17 schnelle lieferung das marsupilami ist eines der tollsten tiere des palumbianischen dschungels

marsupilami17geheimnisvollespalumbien17 ftp startbloggingonline - Nov 17 2021

gcd issue marsupilami 17 geheimnisvolles palumbien - Jun 05 2023

web marsupilami 17 marsupilami marsupilami 17 geheimnisvolles palumbien released by carlsen comics on october 2019
[marsupilami 17 geheimnisvolles palumbien abenteuercomics](#) - Aug 07 2023

web abebooks com marsupilami 17 geheimnisvolles palumbien 9783551799173 by colman stéphan franquin andré and a great selection of similar new used and

marsupilami 17 geheimnisvolles palumbien german paperback - Aug 27 2022

web der marktplatz für sammler kaufen verkaufen und suchen sie alles was sie sammeln können von ansichtskarten und comics über bücher und münzen bis zu schmuck

marsupilami 17 geheimnisvolles palumbien thalia - Sep 08 2023

web marsupilami 17 geheimnisvolles palumbien abenteuercomics für kinder ab 8 17 colman stéphan franquin andré batem le comte marcel isbn 9783551799173

marsupilami 17 geheimnisvolles palumbien 17 tpc redmatters - May 24 2022

web vertaa hintoja marsupilami 17 geheimnisvolles palumbien kirjat parhaat tarjoukset 1 verkkokaupasta lue arvostelu ja jaa kokemuksia

[marsupilami 17 geheimnisvolles palumbien colman stéphan](#) - Oct 29 2022

web ein unternehmen der kirche suchen suchen

marsupilami 17 geheimnisvolles palumbien issue comic vine - Mar 02 2023

web oct 29 2019 marsupilami 17 geheimnisvolles palumbien colman stéphan franquin andré on amazon com free shipping on qualifying offers marsupilami 17

marsupilami 17 geheimnisvolles palumbien carlsen - Oct 09 2023

web beschreibung das marsupilami ist eines der tollsten tiere des palumbianischen dschungels es ist super intelligent super stark und es kann super wütend werden

marsupilami 17 geheimnisvolles palumbien issue comic vine - May 04 2023

web oct 29 2019 marsupilami 17 geheimnisvolles palumbien stéphan colman andré franquin 4 00 1 rating0 reviews unusual book paperback published october 29 2019

marsupilami 17 geheimnisvolles palumbien halvin hinta katso - Apr 22 2022

web about this book marsupilami 17 geheimnisvolles palumbien 17 pdf 2023 page 5 acknowledgments page 8 about the author page 8 disclaimer page 8 1 promise basics

[marsupilami 17 geheimnisvolles palumbien 17 pdf wrbb neu](#) - Jun 24 2022

web 2 marsupilami 17 geheimnisvolles palumbien 17 2022 06 18 marsupilami 17 geheimnisvolles palumbien 17 downloaded from tpc redmatters com by guest sadie

carlsen marsupilami 17 geheimnisvolles palumbien - Jul 26 2022

web department chawl no 17 and if you grow up in the crowded mumbai chawls you get to participate in your neighbors lives whether you like it or not as we watch the two

[marsupilami17geheimnisvollespalumbien17 pdf dev sfcg](#) - Feb 18 2022

web es palumbien kaboom a cartoon story of snoopy peanuts dog who sees himself as a famous world war i flying ace we3 ablaze publishing readers of spirou already know

[marsupilami 17 geheimnisvolles palumbien vivat de](#) - Sep 27 2022

web hello sign in account lists returns orders cart

[marsupilami 17 geheimnisvolles palumbien 17 pdf 2023](#) - Mar 22 2022

web the marsupilami vol 3 hellboy krampusnacht rex mundi volume 3 the lost kings the man from the ciguri uncle scrooge adventures marsupilami 17 geheimnisvolles

[marsupilami tÜm bÖlÜmler marsupilami İzlesene com](#) - Dec 19 2021

web marsupilami dog man a tale of two kitties mickey mouse the world to come popol out west palm beach finland the small hand magi the labyrinth of magic vol 36

[marsupilami 17 geheimnisvolles palumbien softcover abebooks](#) - Jul 06 2023

web all portions of the grand comics database except where noted otherwise are copyrighted by the gcd and are licensed under a creative commons attribution

marsupilami 17 geheimnisvolles palumbien paperback - Feb 01 2023

web marsupilami 17 geheimnisvolles palumbien abenteuercomics für kinder ab 8 colman stéphan franquin andré batem le comte marcel amazon com au books

marsupilami 17 geheimnisvolles palumbien goodreads - Apr 03 2023

web new comics forums gen discussion bug reporting delete combine pages

texas nurse practice act and nurse jurisprudence exam - Jan 13 2023

web terms in this set 12 define nurse jurisprudence according to the texas bon jurisprudence is the science or philosophy of law the texas nurse practice act and the texas board of nursing rules and regulations relating to nurse education licensure and practice are the laws that govern the practice of nursing practice in texas

welcome to the texas board of nursing - Dec 12 2022

web test information there are 50 items on the nursing jurisprudence examination nje you must correctly answer 75 of the questions to pass the nje you will have two 2 hours to complete the nje

[texas nursing jurisprudence exam questions and answers](#) - Jul 07 2022

web texas jurisprudence exam questions and answers pdf signnow easily sign the texas nursing jurisprudence exam questions and answers pdf with your finger after that your texas nursing jurisprudence exam questions and answers pdf is ready

texas nursing jurisprudence exam questions and answers - Aug 20 2023

web jun 3 2022 texas nursing jurisprudence exam questions and answers 10 questions by soffe1399 updated jun 3 2022 attempts 17933 share settings start create your own quiz welcome to the texas nursing jurisprudence exam with questions and answers nursing just like every other profession has some rules and

texas nursing jurisprudence exam questions and answers - Apr 16 2023

web oct 4 2022 texas nursing jurisprudence exam answer exam based on np bon rules regulations 50 questions 75 or must pass prior to taking nclex eligible to test about 10 days after application to bon 2 hours to complete exam may retest if not successful home state license answer nurse must be licensed in state in which

texas nursing jurisprudence exam questions and answers - Apr 04 2022

web pages 7 rating showing page 1 7 t exas nursing jurisprudence exam questions and answers primary resources for state law answer texas board of nursing nursing practice acts

nursing jurisprudence exam flashcards and study sets quizlet - Oct 10 2022

web learn nursing jurisprudence exam with free interactive flashcards choose from 5 000 different sets of nursing jurisprudence exam flashcards on quizlet

texas jurisprudence exam flashcards quizlet - Mar 15 2023

web sep 19 2023 study with quizlet and memorize flashcards containing terms like facts about the exam topics covered on the exam the mission of the board of nursing and more fresh features from the 1 ai enhanced learning platform

31132 texas nursing jurisprudence and ethics netce - Feb 02 2022

web this course fulfills the continuing education requirement on jurisprudence and ethics related to the practice of nursing in texas for all levels of nursing including registered nurses rns licensed vocational nurses lvns registered nurse first assistants rnfas and advanced practice registered nurses aprns 3

texas nursing jurisprudence exam flashcards and study sets quizlet - Jun 18 2023

web texas jurisprudence nursing exam 5 terms hara vappie learn texas nursing jurisprudence exam with free interactive flashcards choose from 263 different sets of texas nursing jurisprudence exam flashcards on quizlet

texas nursing jurisprudence exam 2023 with 100 correct answers - May 05 2022

web jan 13 2023 1 exam elaborations nursing jurisprudence questions and answers 2023 2 exam elaborations nursing jurisprudence exam with 100 correct answers 2023 3 exam elaborations texas jurisprudence exam with 100 correct answers

2023 4 exam elaborations nursing jurisprudence and ethics for texas nurses

texas nursing jurisprudence exam nje answers iibr org - Mar 03 2022

web nursing jurisprudence flashcards study with quizlet and memorize flashcards containing terms like primary resources for state law nursing jurisprudence texas nurse practice acts and more link quizlet com 223638080 nursing jurisprudence flash cards

texas nursing jurisprudence and ethics netce - Aug 08 2022

web which of the following statements best describes the texas board of nursing position statements introduction in addition to chapter 301 the nursing practice act the board of nursing stipulates that texas nurses are required to be familiar with chapter 303 nursing peer review and chapter 304 the nurse licensure compact 2

texas nursing jurisprudence exam questions and answers - Nov 11 2022

web download texas nursing jurisprudence exam questions and answers latest 2023 87qs and more nursing exams in pdf only on docsity texas nursing jurisprudence exam questions and answers latest 2023 87qs jurisprudence correct answers the science or philosophy of law sources of law correct answers constitutional law

texas nursing jurisprudence exam questions and answers - Sep 09 2022

web aug 29 2023 nursing jurisprudence answer rules ethics morals and how the nurses function in a healthcare setting texas nurse practice acts answer 301 bon defines responsibility for regulating nursing education licensure and practice 303 regulates nursing peer review 304 relates to nursing licensure compact texas bon mission

what is nursing jurisprudence exam for texas board of nursing - Jan 01 2022

web aug 25 2023 50 item online exam 75 38 correct items must be answered correctly 2 hours to complete the nje open book exam it means that you are permitted to access the board of nursing bon website and other resource material throughout the exam a certificate will be available at the end of exam

nursing jurisprudence exam tips to pass texas nje youtube - Jun 06 2022

web i took the exam last feb 01 2021 the texas nursing jurisprudence exam is an online exam that has 50 items with a passing score of 75 to answer for 2 h

texas jurisprudence exam flashcards quizlet - Feb 14 2023

web 1 day ago 1 551 flashcards created by jojo omaghomi chap 1 4 terms in this set 551 can a patient successfully sue a doctor if there is no physician patient relationship no if there is no prior physician patient relationship are you legally obliged to respond to a call from a patient for treatment no

nursing jurisprudence exam questions and answers studocu - May 17 2023

web nursing jurisprudence exam questions and answers nursing jurisprudence exam questions and answers 2022 2023

verified view more university strathmore university course nursing nur201 43 documents students shared 43 documents in this course academic year 2022 2023 sm uploaded bysimon muthara helpful 00 report

texas nursing jurisprudence flashcards quizlet - Jul 19 2023

web study with quizlet and memorize flashcards containing terms like primary resources for state law nursing jurisprudence texas nurse practice acts and more fresh features from the 1 ai enhanced learning platform