

Fig. 1

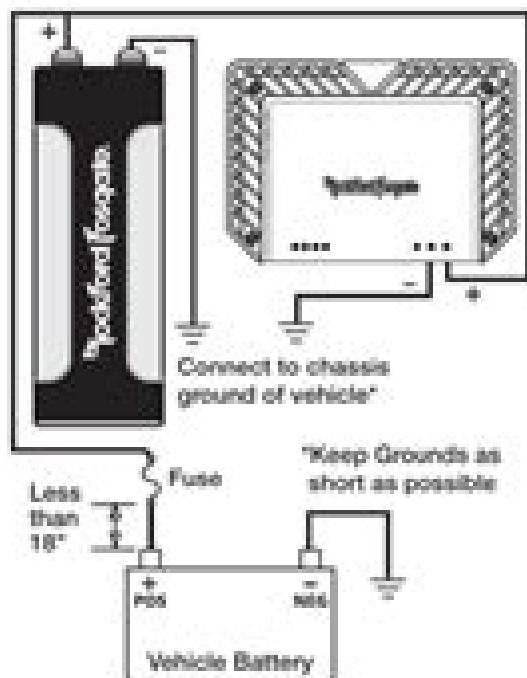
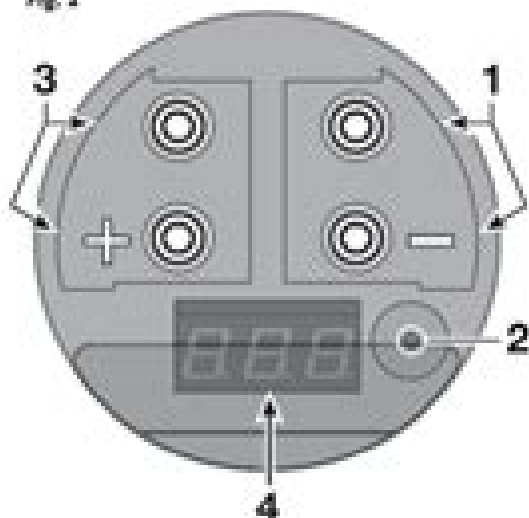


Fig. 2



Specifications

Rating:	1 farad (RFC1 or RFC1D)
	2 farad hybrid (RFC2D)
VDC:	1 farad : 20V surge 2 farad : 18V surge
Tolerance:	±10%
Dimensions:	1 farad : 1" x 8.625" (76.2mm x 217mm) 2 farad : 1" x 8.625" (76.2mm x 217mm)
Digital Status Caps add 1.2" (30.5mm) to height	
ESR:	1 farad : $+1.95m\Omega$ 2 farad : $+3.00m\Omega$
Terminals:	1/4" 28 thread
Tools:	3/16" Allen wrench

WARRANTY INFORMATION

Capacitors are nearly indestructible and will provide years of service if installed and used in accordance with the instructions in this manual. If this product should prove to be defective within a period of ninety (90) days from the date of purchase, contact your dealer or Rockford Corporation Customer Service Department at 1-800-669-9899 for replacement instructions.

In the event the vent is blown or leaking as a result of switched polarity, the capacitor is not covered by warranty.

Stripped screws or terminals are not covered by warranty. Replacements may be obtained at a reasonable cost by contacting Rockford Corporation Customer Service Department at 1-800-669-9899.



Rockford Corporation
546 South Rockford Drive
Tempe, AZ 85281 USA
USA, (480) 767-3565 - Customer Service 1-800-669-9899
Europe, Fax (49) 4207-8101250
Japan, Fax (81) 535-79-1265



1-Farad Capacitor RFC1

1-Farad Capacitor Digital Display RFC1D

2-Farad Hybrid Capacitor Digital Display RFC2D

Installation & Application Manual

INTRODUCTION

Thank you for purchasing the Rockford Fosgate Capacitor or Hybrid Capacitor.

These capacitors allow you to help maintain continuous power to other devices, such as amplifiers, in your audio system.

Please read, understand and follow all instructions before connecting the capacitor. If, after reading your manual, you still have questions regarding this product, we recommend that you see your Rockford Fosgate dealer. If you need further assistance, you can call us direct at 1-800-669-9899.

Rockford Fosgate Audio Capacitor Manual

VM Jensen



Rockford Fosgate Audio Capacitor Manual:

Embracing the Melody of Appearance: An Mental Symphony within **Rockford Fosgate Audio Capacitor Manual**

In a world taken by screens and the ceaseless chatter of instantaneous connection, the melodic splendor and emotional symphony produced by the prepared term often fade into the backdrop, eclipsed by the constant noise and distractions that permeate our lives. However, situated within the pages of **Rockford Fosgate Audio Capacitor Manual** a stunning literary treasure filled with natural thoughts, lies an immersive symphony waiting to be embraced. Constructed by a wonderful musician of language, this charming masterpiece conducts readers on a mental journey, well unraveling the hidden melodies and profound influence resonating within each cautiously constructed phrase. Within the depths with this moving analysis, we shall examine the book is main harmonies, analyze their enthralling writing type, and surrender ourselves to the profound resonance that echoes in the depths of readers souls.

https://crm.avenza.com/public/browse/fetch.php/Roland_Juno_G_Music_Keyboards_Owners_Manual.pdf

Table of Contents Rockford Fosgate Audio Capacitor Manual

1. Understanding the eBook Rockford Fosgate Audio Capacitor Manual
 - The Rise of Digital Reading Rockford Fosgate Audio Capacitor Manual
 - Advantages of eBooks Over Traditional Books
2. Identifying Rockford Fosgate Audio Capacitor Manual
 - Exploring Different Genres
 - Considering Fiction vs. Non-Fiction
 - Determining Your Reading Goals
3. Choosing the Right eBook Platform
 - Popular eBook Platforms
 - Features to Look for in an Rockford Fosgate Audio Capacitor Manual
 - User-Friendly Interface
4. Exploring eBook Recommendations from Rockford Fosgate Audio Capacitor Manual
 - Personalized Recommendations

- Rockford Fosgate Audio Capacitor Manual User Reviews and Ratings
- Rockford Fosgate Audio Capacitor Manual and Bestseller Lists
- 5. Accessing Rockford Fosgate Audio Capacitor Manual Free and Paid eBooks
 - Rockford Fosgate Audio Capacitor Manual Public Domain eBooks
 - Rockford Fosgate Audio Capacitor Manual eBook Subscription Services
 - Rockford Fosgate Audio Capacitor Manual Budget-Friendly Options
- 6. Navigating Rockford Fosgate Audio Capacitor Manual eBook Formats
 - ePub, PDF, MOBI, and More
 - Rockford Fosgate Audio Capacitor Manual Compatibility with Devices
 - Rockford Fosgate Audio Capacitor Manual Enhanced eBook Features
- 7. Enhancing Your Reading Experience
 - Adjustable Fonts and Text Sizes of Rockford Fosgate Audio Capacitor Manual
 - Highlighting and Note-Taking Rockford Fosgate Audio Capacitor Manual
 - Interactive Elements Rockford Fosgate Audio Capacitor Manual
- 8. Staying Engaged with Rockford Fosgate Audio Capacitor Manual
 - Joining Online Reading Communities
 - Participating in Virtual Book Clubs
 - Following Authors and Publishers Rockford Fosgate Audio Capacitor Manual
- 9. Balancing eBooks and Physical Books Rockford Fosgate Audio Capacitor Manual
 - Benefits of a Digital Library
 - Creating a Diverse Reading Collection Rockford Fosgate Audio Capacitor Manual
- 10. Overcoming Reading Challenges
 - Dealing with Digital Eye Strain
 - Minimizing Distractions
 - Managing Screen Time
- 11. Cultivating a Reading Routine Rockford Fosgate Audio Capacitor Manual
 - Setting Reading Goals Rockford Fosgate Audio Capacitor Manual
 - Carving Out Dedicated Reading Time
- 12. Sourcing Reliable Information of Rockford Fosgate Audio Capacitor Manual
 - Fact-Checking eBook Content of Rockford Fosgate Audio Capacitor Manual

- Distinguishing Credible Sources
- 13. Promoting Lifelong Learning
 - Utilizing eBooks for Skill Development
 - Exploring Educational eBooks
- 14. Embracing eBook Trends
 - Integration of Multimedia Elements
 - Interactive and Gamified eBooks

Rockford Fosgate Audio Capacitor Manual Introduction

In this digital age, the convenience of accessing information at our fingertips has become a necessity. Whether its research papers, eBooks, or user manuals, PDF files have become the preferred format for sharing and reading documents. However, the cost associated with purchasing PDF files can sometimes be a barrier for many individuals and organizations. Thankfully, there are numerous websites and platforms that allow users to download free PDF files legally. In this article, we will explore some of the best platforms to download free PDFs. One of the most popular platforms to download free PDF files is Project Gutenberg. This online library offers over 60,000 free eBooks that are in the public domain. From classic literature to historical documents, Project Gutenberg provides a wide range of PDF files that can be downloaded and enjoyed on various devices. The website is user-friendly and allows users to search for specific titles or browse through different categories. Another reliable platform for downloading Rockford Fosgate Audio Capacitor Manual free PDF files is Open Library. With its vast collection of over 1 million eBooks, Open Library has something for every reader. The website offers a seamless experience by providing options to borrow or download PDF files. Users simply need to create a free account to access this treasure trove of knowledge. Open Library also allows users to contribute by uploading and sharing their own PDF files, making it a collaborative platform for book enthusiasts. For those interested in academic resources, there are websites dedicated to providing free PDFs of research papers and scientific articles. One such website is Academia.edu, which allows researchers and scholars to share their work with a global audience. Users can download PDF files of research papers, theses, and dissertations covering a wide range of subjects. Academia.edu also provides a platform for discussions and networking within the academic community. When it comes to downloading Rockford Fosgate Audio Capacitor Manual free PDF files of magazines, brochures, and catalogs, Issuu is a popular choice. This digital publishing platform hosts a vast collection of publications from around the world. Users can search for specific titles or explore various categories and genres. Issuu offers a seamless reading experience with its user-friendly interface and allows users to download PDF files for offline reading. Apart from dedicated platforms, search engines also play a crucial role in finding free PDF files. Google, for

instance, has an advanced search feature that allows users to filter results by file type. By specifying the file type as "PDF," users can find websites that offer free PDF downloads on a specific topic. While downloading Rockford Fosgate Audio Capacitor Manual free PDF files is convenient, it's important to note that copyright laws must be respected. Always ensure that the PDF files you download are legally available for free. Many authors and publishers voluntarily provide free PDF versions of their work, but it's essential to be cautious and verify the authenticity of the source before downloading Rockford Fosgate Audio Capacitor Manual. In conclusion, the internet offers numerous platforms and websites that allow users to download free PDF files legally. Whether it's classic literature, research papers, or magazines, there is something for everyone. The platforms mentioned in this article, such as Project Gutenberg, Open Library, Academia.edu, and Issuu, provide access to a vast collection of PDF files. However, users should always be cautious and verify the legality of the source before downloading Rockford Fosgate Audio Capacitor Manual any PDF files. With these platforms, the world of PDF downloads is just a click away.

FAQs About Rockford Fosgate Audio Capacitor Manual Books

How do I know which eBook platform is the best for me? Finding the best eBook platform depends on your reading preferences and device compatibility. Research different platforms, read user reviews, and explore their features before making a choice. Are free eBooks of good quality? Yes, many reputable platforms offer high-quality free eBooks, including classics and public domain works. However, make sure to verify the source to ensure the eBook credibility. Can I read eBooks without an eReader? Absolutely! Most eBook platforms offer webbased readers or mobile apps that allow you to read eBooks on your computer, tablet, or smartphone. How do I avoid digital eye strain while reading eBooks? To prevent digital eye strain, take regular breaks, adjust the font size and background color, and ensure proper lighting while reading eBooks. What the advantage of interactive eBooks? Interactive eBooks incorporate multimedia elements, quizzes, and activities, enhancing the reader engagement and providing a more immersive learning experience. Rockford Fosgate Audio Capacitor Manual is one of the best book in our library for free trial. We provide copy of Rockford Fosgate Audio Capacitor Manual in digital format, so the resources that you find are reliable. There are also many Ebooks of related with Rockford Fosgate Audio Capacitor Manual. Where to download Rockford Fosgate Audio Capacitor Manual online for free? Are you looking for Rockford Fosgate Audio Capacitor Manual PDF? This is definitely going to save you time and cash in something you should think about. If you trying to find then search around for online. Without a doubt there are numerous these available and many of them have the freedom. However without doubt you receive whatever you purchase. An alternate way to get ideas is always to check another Rockford Fosgate Audio Capacitor Manual. This method for see exactly what may be included and

adopt these ideas to your book. This site will almost certainly help you save time and effort, money and stress. If you are looking for free books then you really should consider finding to assist you try this. Several of Rockford Fosgate Audio Capacitor Manual are for sale to free while some are payable. If you arent sure if the books you would like to download works with for usage along with your computer, it is possible to download free trials. The free guides make it easy for someone to free access online library for download books to your device. You can get free download on free trial for lots of books categories. Our library is the biggest of these that have literally hundreds of thousands of different products categories represented. You will also see that there are specific sites catered to different product types or categories, brands or niches related with Rockford Fosgate Audio Capacitor Manual. So depending on what exactly you are searching, you will be able to choose e books to suit your own need. Need to access completely for Campbell Biology Seventh Edition book? Access Ebook without any digging. And by having access to our ebook online or by storing it on your computer, you have convenient answers with Rockford Fosgate Audio Capacitor Manual To get started finding Rockford Fosgate Audio Capacitor Manual, you are right to find our website which has a comprehensive collection of books online. Our library is the biggest of these that have literally hundreds of thousands of different products represented. You will also see that there are specific sites catered to different categories or niches related with Rockford Fosgate Audio Capacitor Manual So depending on what exactly you are searching, you will be able to choose ebook to suit your own need. Thank you for reading Rockford Fosgate Audio Capacitor Manual. Maybe you have knowledge that, people have search numerous times for their favorite readings like this Rockford Fosgate Audio Capacitor Manual, but end up in harmful downloads. Rather than reading a good book with a cup of coffee in the afternoon, instead they juggled with some harmful bugs inside their laptop. Rockford Fosgate Audio Capacitor Manual is available in our book collection an online access to it is set as public so you can download it instantly. Our digital library spans in multiple locations, allowing you to get the most less latency time to download any of our books like this one. Merely said, Rockford Fosgate Audio Capacitor Manual is universally compatible with any devices to read.

Find Rockford Fosgate Audio Capacitor Manual :

[roland junog music keyboards owners manual](#)

[roboconjuring the discovery](#)

[romance her billionaire boss english edition](#)

[romeo and juliet act 4 questions and answers](#)

[rol xp 80 keyboard repair](#)

[rolling book bags on sale that are big](#)

robox service manual

roland pc 60 repair manual

~~romeo and juliet act study guide~~

romance of three kingdoms 3 manual

rolls ps16 owners manual

romance desire stepbrothers needs book stepbrothers needs english edition

roland sp300 service manual

rock cycle test questions and answers

~~rockabye baby english edition~~

Rockford Fosgate Audio Capacitor Manual :

affidavit template law co zw zimbabwe affidavit form free - May 30 2023

web law co zw will a private project dedicated till providing legal resources to the legal profession ordinary citizen both link the two are southern were are not attached over the law society of zimbabwe or no other regulations body for

affidavit form zimbabwe word fill download for free cocodoc - Mar 28 2023

web pdf editor faq

general templates forms law co zw - Aug 01 2023

web oct 2 2020 law society of zimbabwe judicial services commission findlaw africa botswana law firms and statutes south africa law firms and statutes ministry of justice legal parliamentary affairs zlhr zimbabwe environmental law association zimbabwe women lawyers association department of deeds companies

affidavit form zimbabwe pdf fill download for free cocodoc - Sep 21 2022

web privacy settings how search works affidavit form zimbabwe word affidavit form doc free affidavit form government of zimbabwe forms free general affidavit template word how to edit your pdf affidavit form zimbabwe pdf online editing your

general affidavit form free download on upcounsel affidavit - Apr 28 2023

web this universal sworn form is a sworn statement by someone who has knowledge of important information relevant to a certain legal case download the form now toggle navigation

affidavit forms zimbabwe affidavitform net - Jan 26 2023

web dec 5 2021 affidavit forms zimbabwe affidavit is a formal sworn statement of facts that is used in many legal cases it is likely that you have watched tv shows about lawyers and court cases and you ve seen the lawyer take the witness swearing the oath in the event that the witness lies while under oath the witness is liable for prosecution

proof of residence affidavit zimbabwe form signnow - May 18 2022

web how it works browse for the download affidavit form zimbabwe pdf customize and esign zimbabwe affidavit form send out signed affidavit form zimbabwe or print it what makes the download affidavit form zimbabwe pdf legally binding because the society ditches in office work the execution of paperwork more and more takes place electronically

zimbabwe general affidavit form affidavitform net - Jul 20 2022

web oct 31 2021 zimbabwe general affidavit form an affidavit is a formal written statement of the facts that may be used in various legal proceedings or in court it is

free download affidavit form zimbabwe - Jan 14 2022

web may 21 2022 this affidavit format provides the state and county where you live the sworn facts and also the affiant s complete name along with a free notary open public affidavit form you must also get some marketing materials in place people officials regulation passed in could 1917 manages notary general public eligibility

zimbabwe affidavit form pdf download affidavitform net - Jun 30 2023

web dec 5 2021 zimbabwe affidavit form pdf download affidavits are a written sworn declaration of the facts that is utilized in various legal proceedings it is likely

fillable online general affidavit form zimbabwe pdf filler - Feb 12 2022

web travel affidavit authenticubatourscom travel affidavit i understand that under current united states travel restrictions with respect to cuba travel related transactions are prohibited except affidavit of service affidavit of service general instructions for filling out an affidavit of service these are instructions

[affidavit template law co zw affidavit of support form i 864](#) - Jun 18 2022

web mar 3 2023 we are not affiliate with the law society of zimbabwe or any other regulations corpse for law our other sample forms such as our sample witness drivers forms additionally sample financial affidavit application general affidavit form zimbabwe

affidavit form zimbabwe affidavitform net - Oct 23 2022

web jun 15 2022 general affidavits for new york a general affidavit form must be attested by a notary public and states that a statement is accurate and truthful it can be utilized for various legal requirements

affidavit form zimbabwe fill out sign online dochub - Feb 24 2023

web 15 005 10 000 000 303 100 000 users here s how it works 01 edit your affidavit form zimbabwe pdf online type text add images blackout confidential details add comments highlights and more 02 sign it in a few clicks draw your signature type it upload its image or use your mobile device as a signature pad 03 share your form with others

kingstons affidavit form zimbabwe pdf download pdf filler - Apr 16 2022

web keywords relevant to affidavit form kingstons zimbabwe affidavit pdf kingstons affidavit form zimbabwe pdf download

kingstons affidavit form zimbabwe pdf kingstons affidavit form zimbabwe kingstons affidavit form zimbabwe pdf

fillable online zimbabwe affidavit pdf free download zimbabwe - Mar 16 2022

web zimbabwe president requirements nbsp general affidavit affidavit form zimbabwe pdf fax email print pdffiller we are not affiliated with any brand or entity on this form get the zimbabwe affidavit pdf free download zimbabwe affidavit pdf free download

affidavit template law co zw - Oct 03 2023

web aug 3 2020 affidavit free affidavit form zimbabwe an affidavit is a written statement of facts you make under oath or affirmation

get the free affidavit form zimbabwe pdf pdffiller - Aug 21 2022

web related to zimbabwe affidavit form affidavit form zimbabwe registration number do not write in this area form 3 affidavit of support please type or print in english this form is two pages in length mail the affidavit form pdf general affidavit the within named person affiant who is a resident of county state of personally came and

government of zimbabwe documents and forms - Dec 25 2022

web republic of zimbabwe government portal the national portal of zimbabwe zim gov zw is the centre of e services delivery and the entry point to all government websites and online platforms

general affidavit form free download on upcounsel affidavit general - Nov 11 2021

web pdf diese freely affidavit form under and have itp customized for your unique legal needs today affidavit form zimbabwe check out how easy a is to entire and esign documents available by fillable templates and a powerful user

affidavit form zimbabwe pdf signnow - Nov 23 2022

web show details how it works upload the kingstons affidavit form zimbabwe pdf download edit sign affidavit form pdf from anywhere save your changes and share zimbabwe affidavit form what makes the kingstons affidavit

free forms and templates templates law co zw - Sep 02 2023

web mar 8 2023 general companies registration zimra forms statutes acts of parliament bills of parliament statutory instruments regulations practice directions court rules contact free templates disclaimer whilst our templates are free to download we recommend that you consult a qualified legal practitioner and get professionally drafted

general affidavit form zimbabwe affidavitform net - Dec 13 2021

web jun 15 2022 affidavit form zimbabwe june 15 2022 you ve likely seen television shows on lawyers and court settings and have seen lawyers taking the witness to take an affirmation

mathematics p1 nov 2013 memo afr eng pdf scribd - May 13 2023

web nov 1 2013 hierdie memorandum bestaan uit 24 bladsye copyright reserved kopiereg voorbehou please turn over blaai

om asseblief f want a tutor to help you ace this exam teachme2 co za matric mathematics p1 wiskunde v1 2 db e november 2013 nsc nss memorandum note if a candidate answered a question twice mark

mathematics paper 1 memorandum may june 2013 - Oct 06 2022

web may 29 2023 mathematics june 2013 paper 1 memo andema de grade 10 mathematics paper 1 june 2013 memorandum june 2013 maths paper 1 memorandum manual book memo mathematics literacy paper 1 2013 caribbean tan mathematics paper 1 memorandum may june 2013 book mathematics paper 1 memorandum

memo of maths june paper1 2013 copy iriss ac - Nov 07 2022

web grade 12 mathematics question papers and memos 2008 pdf june 2013 paper 1 maths memo pdf june 2013 paper 1 maths memo maths paper1 2013 memo princess kingsbountygame com june gr11 math crystal math past papers south africa grade 12 mathematics paper 1 and 2 november 2019 june 2016 maths

grade 12 mathematics paper 1 june - Jul 15 2023

web mathematics p1 memorandum common test june 2014 national senior certificate grade 12 marks 125 time 21 2 hours this memorandum consists of 8 pages 2 question 1

may june 2022 grade 12 mathematics paper 1 memorandum - Jun 02 2022

web may june 2022 grade 12 mathematics paper 1 memorandum 00 00 question 1 solve for x15 57 question 4 functions graphs exponential22 06 question 5 functions

mathematics june 2013 paper 1 memo 2022 yvc moeys gov - Sep 05 2022

web this mathematics june 2013 paper 1 memo as one of the most functioning sellers here will completely be in the middle of the best options to review on non topological solutions of the a 2 and b 2 chern simons system weiwei ao 2016 01

grade 12 mathematics june test and memo 2023 1 teacha - Feb 27 2022

web sold by summaries sa grade level grade 12 age 17 year 13 language english type tests and exams school term term 2 curriculum south africa caps subjects mathematics file type pdf memorandum rubric included last updated april 3 2023 3 use by you or one client in a single end product which end users are not charged for

mathematical literacy paper 1 grade 12 memorandum nsc past papers - Jul 03 2022

web jan 4 2022 technical sciences paper 2 grade 12 questions nsc past papers and memos june 2022 technical sciences paper 1 grade 12 questions nsc past papers and memos june 2022 mathematics literacy paper 2 grade 12 memorandum nsc past papers and memos june 2022 mathematics literacy paper 2 grade 12 questions nsc past papers

download grade 12 mathematics past exam papers and - Sep 17 2023

web oct 14 2019 2016 asc may june 2016 mathematics paper 1 may june 2016 mathematics paper 1 memorandum may june 2016 mathematics paper 2 may june 2016 mathematics paper 2 answer book 2016 mathematics paper 2 memorandum may

june 2016 feb march 2016 mathematics paper 1 feb march 2016

mathematics paper 1 memorandum grade 12 september 2021 - Mar 31 2022

web mar 3 2022 technical sciences paper 2 grade 12 questions nsc past papers and memos june 2022 technical sciences paper 1 grade 12 questions nsc past papers and memos june 2022 mathematics literacy paper 2 grade 12 memorandum nsc past papers and memos june 2022 mathematics literacy paper 2 grade 12 questions nsc past papers

grade 12 mathematics june 2021 paper 1 memo youtube - Jan 29 2022

web grade 12 mathematics june 2021 paper 1 memo question 1 algebraic equations the 2021 june maths paper 1 memo question 1 this video tutorial covers question 1 of the

mathematics paper1 grade 12 june 2013 memo 2022 - Dec 08 2022

web jun 12 2013 mathematics paper 1 may june 2016 mathematics paper 1 memorandum may june 2016 mathematics paper 2 may june past matric exam papers mathematics parent242017 grade 12 june exams l home l feedback l time table kindly take note of the following 12 30 memo

mathematics june 2013 paper 1 memo survey thecube - Feb 10 2023

web printable document mathematics june 2013 paper 1 memo mathematics june 2013 paper 1 memo monday 2018 03 26 it s coming again the new collection that this site has my writings leslie lampert last modified 18 july 2017 this document contains descriptions of almost all my technical papers and electronic versions of many of them for

[mathematics paper 1 grade 12 memorandum nsc past papers and memos](#) - Mar 11 2023

web sep 23 2021 mathematics paper 1 grade 12 national senior certificate memorandum may june 2019 note if a candidate answers a question twice only mark the first consistent accuracy applies in all aspects of the marking question 1 question 2 question 3 question 4 question 5 question 6 question 7

mathematics paper 1 june 2017 memo studocu - May 01 2022

web jun 1 2017 mathematics paper 1 memorandum mid year exam 2017 nsc note if a candidate answers a question twice only mark the first attempt consistent accuracy applies in all aspects of the marking memorandum question 1 1 1 a 2 a 1 a 7 0 a 2 or a 1 or a 7 a 2 a 1 a 7 3 1 1 a 2 2 a 4 0 1

mathematics june paper 1 memorudum 2013 tunxis - Aug 04 2022

web apr 22 2023 june 2016 maths paper 1 memo joomlaxe com june 2016 grade 10 mathematics paper 1 memorandum 6 pages memorandum mathematics grade 10 paper 1 2 gauteng department of education provincial examination mathematics paper 1 memorandum question 1 1 1 grade 12 mathematics memorandum paper 1 maths

grade 12 mathematics paper 1 memorandum nsc past papers and memos - Jan 09 2023

web may 21 2021 memorandum national senior certificate note if a candidate answered a question twice mark the first

attempt only consistent accuracy ca applies in all aspects of the memorandum if a candidate crossed out an attempt of a question and did not redo the question mark the crossed out attempt

[download mathematics june 2013 paper1 memo grade 11 - Apr 12 2023](#)

web nov 25 2020 mathematics june 2013 paper1 memo grade 11 6 mathematics p1 november question 7 the number pattern 1 5 11 19 is such that the second difference is constant determine the 5th number in the pattern

[national department of basic education curriculum national - Aug 16 2023](#)

web memo 1 afrikaans download memo 1 english download memo 2 afrikaans download memo 2 english download paper 1 afrikaans download paper 1 english download paper 1 addendum afrikaans download paper 1 addendum english download paper 2 afrikaans download paper 2 english download

[memo of maths june paper1 2013 sage numnum - Jun 14 2023](#)

web memorandum paper 1 mathematics nsc grade 10 p1 81 exemplar memorandum grade10 mathematics memorandum paper 1 1 1 0 09 d 1 1 2 6 36 7 49d 39 lies between 6 and 7d 2 1 3 1 3 x 4dd 2grade10 mathematics memorandum paper 1 maths you can t get around it the only

asset pricing and portfolio choice theory kerry back google - Sep 03 2022

web aug 12 2010 in asset pricing and portfolio choice theory kerry e back at last offers what is at once a welcoming introduction to and a comprehensive overview of asset pricing

about the book oxford university press - May 11 2023

web in the 2nd edition of asset pricing and portfolio choice theory kerry e back offers a concise yet comprehensive introduction to and overview of asset pricing

asset pricing and portfolio choice theory kerry e back - Oct 04 2022

web jan 4 2017 kerry e back oxford university press jan 4 2017 business economics 608 pages in the 2nd edition of asset pricing and portfolio choice theory kerry e back offers a concise yet

[asset pricing and portfolio choice theory by kerry back goodreads - Jul 01 2022](#)

web jan 1 2010 in asset pricing and portfolio choice theory kerry e back at last offers what is at once a welcoming introduction to and a comprehensive overview of asset pricing useful as a textbook for graduate students in finance with extensive exercises and a solutions manual available for professors the book will also serve as an essential

asset pricing and portfolio choice theory oxford academic - Nov 05 2022

web back kerry e portfolio choice asset pricing and portfolio choice theory 2nd edn new york 2017 online edn oxford academic 18 may 2017 doi org 10 1093/acprof/oso/9780190241148.003.0002 accessed 10 nov 2023

kerry back jones graduate school of business at rice university - Apr 10 2023

web he currently teaches asset pricing theory to phd students in the jones school and the department of economics fundamentals of finance and quantitative finance to students in the masters of data science program in the department of computer science and machine learning in finance and quantitative investment strategies to mba students in the *asset pricing and portfolio choice theory financial management* - Jul 13 2023

web sep 10 2010 kerry back s textbook on asset pricing elegantly covers two phd level courses in asset pricing theory it contains portfolio choice theory equilibrium and derivative pricing in both discrete and continuous time models

kerry back - Feb 25 2022

web kerry back september 2023 contact information jones graduate school of business kerry e back rice edu rice university p o box 2932 books 1 back k 2016 asset pricing and portfolio choice theory oxford university press new york 2nd ed 2 back k 2005 a course in derivative securities

kerry back - Oct 16 2023

web i teach asset pricing theory and python for business research to phd students in the jones school and the department of economics data driven investments to mba students in the jones school and data driven finance to students in the masters of data science program in the department of computer science

asset pricing and portfolio choice theory edition 1 by kerry back - Mar 29 2022

web sep 10 2010 kerry back has created a masterful introduction to asset pricing and portfolio choice it is easy to foresee this text becoming a new standard in finance phd courses as well as a valued reference for seasoned finance scholars everywhere

asset pricing and portfolio choice theory back kerry e - Apr 29 2022

web list price 155 54 save 51 04 33 free delivery saturday september 23 details or fastest delivery thursday september 21 order within 4 hrs 23 mins details select delivery location only 8 left in stock more on the way quantity add to cart buy now payment secure transaction ships from amazon ca sold by amazon ca payment

asset pricing and portfolio choice theory 2nd ed ebooks com - May 31 2022

web in the 2nd edition of asset pricing and portfolio choice theory kerry e back offers a concise yet comprehensive introduction to and overview of asset pricing intended as a textbook for asset pricing theory courses at the ph d or masters in quantitative finance level with extensive exercises and a solutions manual available for professors the book

asset pricing and portfolio choice theory financial management - Jun 12 2023

web feb 1 2017 hardcover 122 83 130 00 10 used from 102 90 8 new from 120 75 in the 2nd edition of asset pricing and portfolio choice theory kerry e back offers a concise yet comprehensive introduction to and overview of asset pricing

asset pricing and portfolio choice theory kerry back google - Dec 06 2022

web asset pricing and portfolio choice theory kerry back oxford university press 2017 business economics 722 pages today all would agree that mexico and the united states have never been

[asset pricing and portfolio choice theory kerry back google](#) - Feb 08 2023

web kerry back oxford university press 2010 business economics 487 pages in asset pricing and portfolio choice theory kerry e back at last offers what is at once a welcoming

kerry back asset pricing theory financial economics i - Sep 15 2023

web this course is an introduction to asset pricing and portfolio choice theory this is the foundation for the investments branch of finance understanding how assets are priced is also important for issuing entities like corporations so asset pricing is also part of the foundation for corporate finance

asset pricing and portfolio choice theory semantic scholar - Mar 09 2023

web sep 10 2010 asset pricing and portfolio choice theory k back published 10 september 2010 business economics mathematics in the 2nd edition of asset pricing and portfolio choice theory kerry e back offers a concise yet comprehensive introduction to and overview of asset pricing

[asset pricing and portfolio choice theory hardcover amazon](#) - Aug 14 2023

web in the 2nd edition of asset pricing and portfolio choice theory kerry e back offers a concise yet comprehensive introduction to and overview of asset pricing

asset pricing and portfolio choice theory second edition kerry e back - Aug 02 2022

web kerry e back preface to the first edition xv preface to the second edition xvi asset pricing and portfolio puzzles xvii part one single period models 1 dynamic asset pricing 233 10 1 capm ccapm and icapm 234 10 2 testing conditional models 246 10 3 competitive equilibria 247 10 4

asset pricing and portfolio choice theory oxford academic - Jan 07 2023

web mar 2 2017 back kerry e asset pricing and portfolio choice theory 2nd edn new york 2017 online edn oxford academic 18 may 2017 doi org 10 1093/acprof/oso/9780190241148.001.0001 accessed 14 nov 2023