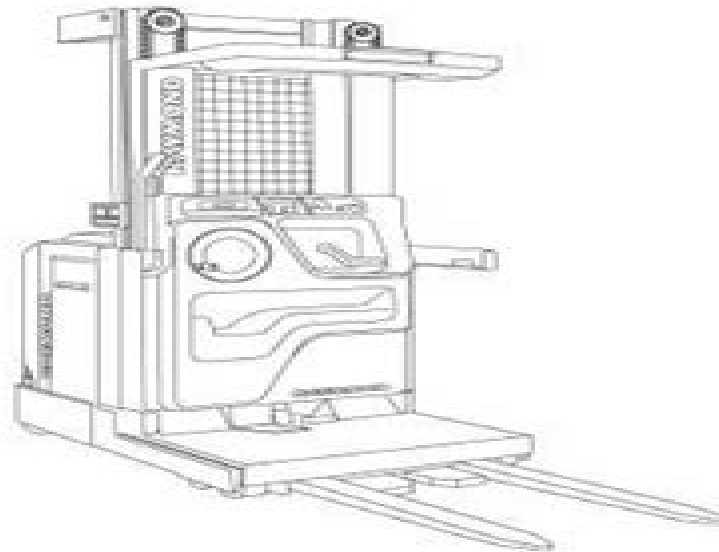


RAYMOND

EASi™ Orderpicker

Parts Catalog



PDPM - 0216
S/N 31,000 and Up
Issued 6/5/02

Raymond Order Picker Controls Guide

EW Minium



Raymond Order Picker Controls Guide:

Decoding **Raymond Order Picker Controls Guide**: Revealing the Captivating Potential of Verbal Expression

In an era characterized by interconnectedness and an insatiable thirst for knowledge, the captivating potential of verbal expression has emerged as a formidable force. Its ability to evoke sentiments, stimulate introspection, and incite profound transformations is genuinely awe-inspiring. Within the pages of "**Raymond Order Picker Controls Guide**," a mesmerizing literary creation penned with a celebrated wordsmith, readers attempt an enlightening odyssey, unraveling the intricate significance of language and its enduring affect our lives. In this appraisal, we shall explore the book is central themes, evaluate its distinctive writing style, and gauge its pervasive influence on the hearts and minds of its readership.

<https://crm.avenza.com/results/Resources/Documents/nissan%20pathfinder%20workshop%20repair%20manual.pdf>

Table of Contents Raymond Order Picker Controls Guide

1. Understanding the eBook Raymond Order Picker Controls Guide
 - The Rise of Digital Reading Raymond Order Picker Controls Guide
 - Advantages of eBooks Over Traditional Books
2. Identifying Raymond Order Picker Controls Guide
 - Exploring Different Genres
 - Considering Fiction vs. Non-Fiction
 - Determining Your Reading Goals
3. Choosing the Right eBook Platform
 - Popular eBook Platforms
 - Features to Look for in an Raymond Order Picker Controls Guide
 - User-Friendly Interface
4. Exploring eBook Recommendations from Raymond Order Picker Controls Guide
 - Personalized Recommendations
 - Raymond Order Picker Controls Guide User Reviews and Ratings
 - Raymond Order Picker Controls Guide and Bestseller Lists

5. Accessing Raymond Order Picker Controls Guide Free and Paid eBooks
 - Raymond Order Picker Controls Guide Public Domain eBooks
 - Raymond Order Picker Controls Guide eBook Subscription Services
 - Raymond Order Picker Controls Guide Budget-Friendly Options
6. Navigating Raymond Order Picker Controls Guide eBook Formats
 - ePub, PDF, MOBI, and More
 - Raymond Order Picker Controls Guide Compatibility with Devices
 - Raymond Order Picker Controls Guide Enhanced eBook Features
7. Enhancing Your Reading Experience
 - Adjustable Fonts and Text Sizes of Raymond Order Picker Controls Guide
 - Highlighting and Note-Taking Raymond Order Picker Controls Guide
 - Interactive Elements Raymond Order Picker Controls Guide
8. Staying Engaged with Raymond Order Picker Controls Guide
 - Joining Online Reading Communities
 - Participating in Virtual Book Clubs
 - Following Authors and Publishers Raymond Order Picker Controls Guide
9. Balancing eBooks and Physical Books Raymond Order Picker Controls Guide
 - Benefits of a Digital Library
 - Creating a Diverse Reading Collection Raymond Order Picker Controls Guide
10. Overcoming Reading Challenges
 - Dealing with Digital Eye Strain
 - Minimizing Distractions
 - Managing Screen Time
11. Cultivating a Reading Routine Raymond Order Picker Controls Guide
 - Setting Reading Goals Raymond Order Picker Controls Guide
 - Carving Out Dedicated Reading Time
12. Sourcing Reliable Information of Raymond Order Picker Controls Guide
 - Fact-Checking eBook Content of Raymond Order Picker Controls Guide
 - Distinguishing Credible Sources
13. Promoting Lifelong Learning

- Utilizing eBooks for Skill Development
 - Exploring Educational eBooks
14. Embracing eBook Trends
- Integration of Multimedia Elements
 - Interactive and Gamified eBooks

Raymond Order Picker Controls Guide Introduction

In today's digital age, the availability of Raymond Order Picker Controls Guide books and manuals for download has revolutionized the way we access information. Gone are the days of physically flipping through pages and carrying heavy textbooks or manuals. With just a few clicks, we can now access a wealth of knowledge from the comfort of our own homes or on the go. This article will explore the advantages of Raymond Order Picker Controls Guide books and manuals for download, along with some popular platforms that offer these resources. One of the significant advantages of Raymond Order Picker Controls Guide books and manuals for download is the cost-saving aspect. Traditional books and manuals can be costly, especially if you need to purchase several of them for educational or professional purposes. By accessing Raymond Order Picker Controls Guide versions, you eliminate the need to spend money on physical copies. This not only saves you money but also reduces the environmental impact associated with book production and transportation. Furthermore, Raymond Order Picker Controls Guide books and manuals for download are incredibly convenient. With just a computer or smartphone and an internet connection, you can access a vast library of resources on any subject imaginable. Whether you're a student looking for textbooks, a professional seeking industry-specific manuals, or someone interested in self-improvement, these digital resources provide an efficient and accessible means of acquiring knowledge. Moreover, PDF books and manuals offer a range of benefits compared to other digital formats. PDF files are designed to retain their formatting regardless of the device used to open them. This ensures that the content appears exactly as intended by the author, with no loss of formatting or missing graphics. Additionally, PDF files can be easily annotated, bookmarked, and searched for specific terms, making them highly practical for studying or referencing. When it comes to accessing Raymond Order Picker Controls Guide books and manuals, several platforms offer an extensive collection of resources. One such platform is Project Gutenberg, a nonprofit organization that provides over 60,000 free eBooks. These books are primarily in the public domain, meaning they can be freely distributed and downloaded. Project Gutenberg offers a wide range of classic literature, making it an excellent resource for literature enthusiasts. Another popular platform for Raymond Order Picker Controls Guide books and manuals is Open Library. Open Library is an initiative of the Internet Archive, a non-profit organization dedicated to digitizing cultural artifacts and making them accessible to the public. Open Library hosts millions of books, including both public domain works

and contemporary titles. It also allows users to borrow digital copies of certain books for a limited period, similar to a library lending system. Additionally, many universities and educational institutions have their own digital libraries that provide free access to PDF books and manuals. These libraries often offer academic texts, research papers, and technical manuals, making them invaluable resources for students and researchers. Some notable examples include MIT OpenCourseWare, which offers free access to course materials from the Massachusetts Institute of Technology, and the Digital Public Library of America, which provides a vast collection of digitized books and historical documents. In conclusion, Raymond Order Picker Controls Guide books and manuals for download have transformed the way we access information. They provide a cost-effective and convenient means of acquiring knowledge, offering the ability to access a vast library of resources at our fingertips. With platforms like Project Gutenberg, Open Library, and various digital libraries offered by educational institutions, we have access to an ever-expanding collection of books and manuals. Whether for educational, professional, or personal purposes, these digital resources serve as valuable tools for continuous learning and self-improvement. So why not take advantage of the vast world of Raymond Order Picker Controls Guide books and manuals for download and embark on your journey of knowledge?

FAQs About Raymond Order Picker Controls Guide Books

What is a Raymond Order Picker Controls Guide PDF? A PDF (Portable Document Format) is a file format developed by Adobe that preserves the layout and formatting of a document, regardless of the software, hardware, or operating system used to view or print it. **How do I create a Raymond Order Picker Controls Guide PDF?** There are several ways to create a PDF: Use software like Adobe Acrobat, Microsoft Word, or Google Docs, which often have built-in PDF creation tools. Print to PDF: Many applications and operating systems have a "Print to PDF" option that allows you to save a document as a PDF file instead of printing it on paper. Online converters: There are various online tools that can convert different file types to PDF. **How do I edit a Raymond Order Picker Controls Guide PDF?** Editing a PDF can be done with software like Adobe Acrobat, which allows direct editing of text, images, and other elements within the PDF. Some free tools, like PDFescape or Smallpdf, also offer basic editing capabilities. **How do I convert a Raymond Order Picker Controls Guide PDF to another file format?** There are multiple ways to convert a PDF to another format: Use online converters like Smallpdf, Zamzar, or Adobe Acrobats export feature to convert PDFs to formats like Word, Excel, JPEG, etc. Software like Adobe Acrobat, Microsoft Word, or other PDF editors may have options to export or save PDFs in different formats. **How do I password-protect a Raymond Order Picker Controls Guide PDF?** Most PDF editing software allows you to add password protection. In Adobe Acrobat, for instance, you can go to "File" -> "Properties" -> "Security" to set a password to restrict

access or editing capabilities. Are there any free alternatives to Adobe Acrobat for working with PDFs? Yes, there are many free alternatives for working with PDFs, such as: LibreOffice: Offers PDF editing features. PDFsam: Allows splitting, merging, and editing PDFs. Foxit Reader: Provides basic PDF viewing and editing capabilities. How do I compress a PDF file? You can use online tools like Smallpdf, ILovePDF, or desktop software like Adobe Acrobat to compress PDF files without significant quality loss. Compression reduces the file size, making it easier to share and download. Can I fill out forms in a PDF file? Yes, most PDF viewers/editors like Adobe Acrobat, Preview (on Mac), or various online tools allow you to fill out forms in PDF files by selecting text fields and entering information. Are there any restrictions when working with PDFs? Some PDFs might have restrictions set by their creator, such as password protection, editing restrictions, or print restrictions. Breaking these restrictions might require specific software or tools, which may or may not be legal depending on the circumstances and local laws.

Find Raymond Order Picker Controls Guide :

nissan pathfinder workshop repair manual

~~nissan micra k10 manual~~

nissan navara gear box manual

~~nissan outboard parts user manual manual~~

nissan serena engine diagram

~~nissan maxima 1998 service manual~~

nissan frontier model d22 series service repair manual 2000

nissan h02 service manual

nissan navara d22 workshop service manual

nissan infiniti q45 1990 1996 workshop repair service manual

nissan micra 1999 manual

~~nissan primera p12 manual~~

nissan quest 1997 factory service repair manual

nissan pulsar 2000 haynes repair manual torrent

~~nissan primastar repair manual torrent~~

Raymond Order Picker Controls Guide :

elements compounds and mixtures worksheets easy teacher - May 12 2023

web elements compounds and mixtures are constituents of matter matter can either be pure or impure elements and compounds are pure forms of matter while a mixture is impure i ll discuss elements compounds and mixtures in detail in this article we ll look at their different categories and how they differ from each other what is an element

elements compounds and mixtures interactive worksheet - Feb 26 2022

web sep 10 2021 level 7 8 language english en id 1503208 09 10 2021 country code au country australia school subject chemistry 1061818 main content identifying substances using pictures 1566281 students classify pictures as elements compounds and combinations of these

element mixture compound activity teachengineering - Mar 10 2023

web jan 11 2019 distinguish and describe the three types of matter elements compounds mixtures define pure and impure materials give some examples of elements mixtures and compounds explain the different properties of each group of materials

elements compounds mixtures - Oct 05 2022

web symbol name an element is made up of atoms which are all the same what is a compound a compound is a pure substance that consists of atoms of two or more elements joined together compounds are formed when atoms of different elements react together compounds can be decomposed into elements using chemical means

element compound and mixture practice khan academy - Apr 11 2023

web element compound and mixture google classroom an elements is made up of two types of atoms is the statement true or false choose 1 answer true a true false b false report a problem 7 4 1 x x y y theta θ

elements compounds and mixtures knowledgeboat - Jan 28 2022

web answer a an element is a pure substance that cannot be converted further into anything simpler than itself by any physical or chemical process it is made up of only one kind of atoms b a compound is a pure substance formed by the chemical combination of two or more elements in a fixed ratio by mass

elements mixtures and compounds 5th grade science - Jun 01 2022

web elements mixtures and compounds 5th grade science worksheets and answer key study guides covers the following skills understand physical and chemical properties of matter distinguish between mixtures and compounds

elements compounds and mixtures division of chemical - Nov 06 2022

web compounds elements combine to form chemical compounds that are often divided into two categories metals often react with nonmetals to form ionic compounds these compounds are composed of positive and negative ions formed by adding or

subtracting electrons from neutral atoms and molecules

[elements compounds mixture answer key docx course hero](#) - Feb 09 2023

web snc1p elements compounds and mixtures 1 match each diagram with its correct description diagrams will be used once
a b c d e c pure element only one type of atom present e mixture of two elements two types of uncombined atoms present b
pure compound only one type of compound present

elements compound and mixtures answer key pathways to - Sep 04 2022

web heating and cooling curves answer key heating and cooling curves part 2 heating and cooling curves part 2 answer key
initial rates initial rates answer key integrated rate laws and half life integrated rate laws and half life answer key kc and kp
kc and kp answer key phase changes phase changes answer key phase diagrams phase

[elements compounds and mixtures worksheet by elly thorsen tpt](#) - Mar 30 2022

web this bundle contains six different resources about elements compounds and mixtures all answer keys are included here
are the resources you get in this bundle bell ringer cards use these sixteen cards as warmups task cards or stations card
sorting activity use this activity to practice classi

elements compounds and mixtures worksheet - Jan 08 2023

web this is a simple instructional worksheet that uses drawings to contrast atoms and molecules as well as elements
compounds and mixtures essential concepts elements compounds mixtures atoms molecules pure substance answer key
included in the chemistry instructor resources subscription

icse selina class 8 chemistry chapter 3 byju s - Dec 27 2021

web download icse class 8 chemistry selina solutions pdf for chapter 3 elements compounds and mixtures question 1 define a
elements b compounds solution a the element is a substance and it cannot be split further into simpler substances and has a
definite set of properties elements are made up of only one kind of atoms

[classifying matter elements compounds and mixtures](#) - Apr 30 2022

web represents an item composed of an element compound or mixture review an element contains just one type of atom a
compound contains two or more different atoms joined together a mixture contains two or more different substances that are
only physically joined together not chemically a mixture can contain both elements and compounds

elements compounds and mixtures elements compounds and - Dec 07 2022

web elements compounds and formulae an overview of the definitions of different types of chemicals how chemicals can be
represented in chemical equations how chemicals can be separated and a

[elements compounds mixture answer key studocu](#) - Jul 14 2023

web a b c d e pure element only one type of atom present mixture of two elements two types of uncombined atoms present

pure compound only one type of compound present mixture of two compounds two types of compounds present mixture of a compound and an element

[elements compounds and mixtures worksheet answers](#) - Aug 15 2023

web match each diagram with its correct description diagrams will be used once a b c d c pure element only one type of atom present e mixture of two elements two types of uncombined atoms present b pure compound only one type of compound present a mixture of two compounds two types of compounds present

[elements compounds amp mixtures oh my aact](#) - Jul 02 2022

web mar 25 2020 part 3 draw particle diagrams draw a particle diagram representing the type of matter described below each box your diagrams must be different from the ones provided in part 2 1 mixture of elements and compounds

elements compounds mixtures worksheet with answer key - Aug 03 2022

web elements compounds mixtures worksheet with answer key helps students practice applying their knowledge of this information by writing notes and then categorizing items as an element compound or mixture the answer key is included please note the worksheet is 2 pages and the answer key is 2 pa

elements compounds and mixtures bbc bitesize - Jun 13 2023

web chemistry atoms elements and compounds key points everything in the known universe is made up of the elements found on the periodic table there are over 100 different elements which

physics workbook answers pdf acceleration force scribd - Sep 13 2023

web workbook answers chapter 1 exercise 1 1 practice 2 a 10 000 100 100 focus b 1 000 000 1000 1000 1 a metre m cubic metre m³ challenge b kilometre km 3 a 3 50 m 350 cm millimetre mm each face has an area of 350 350 c 100 there are six faces 1000 total surface area 6 350 350 735 000 cm² b 3 5 m 3500 mm volume

[physics worksheets physics practice questions with answers](#) - Apr 27 2022

web our year 7 physics worksheets surround balanced forces the calculation of fuel uses and costs current electricity and describing motion as your child progresses with our year 8 physics worksheets and year 9 physics revision they ll also learn about the calculation of fuel and motion but at a higher level and in more depth than before energy changes and

[download solutions physics workbook answers six flags green lantern](#) - Feb 06 2023

web may 6 2023 right here we have countless book physics workbook answers six flags green lantern pdf and collections to check out we additionally present variant types and with type of the books to browse the satisfactory book fiction history novel scientific research as with ease as various additional sorts of books are readily nearby

physics workbook answers six flags green lantern uniport edu - May 29 2022

web apr 17 2023 physics workbook answers six flags green lantern 1 8 downloaded from uniport edu ng on april 17 2023 by

quest physics workbook answers six flags green lantern recognizing the exaggeration ways to acquire this book physics workbook answers six flags green lantern is additionally useful you have remained in right site

physics workbook answers six flags green lantern 2023 - Jun 29 2022

web physics workbook answers six flags green lantern the final warren commission report feb 29 2020 warren commission report is the result of the investigation regarding the assassination of united states president john f kennedy the u s congress passed senate joint resolution 137 authorizing the presidential

cambridge igcse physical science physics workbook - Mar 27 2022

web feb 16 2017 this physics workbook is tailored to the cambridge igcse physical science 0652 syllabus for first examination in 2019 and is endorsed for learner support by cambridge international examinations the workbook covers both the core and the supplement material with exercises that are designed to develop students skills in

physics workbook answers six flags green lantern pdf - Jun 10 2023

web physics workbook answers six flags green lantern downloaded from web1 kdhx org by guest mooney bryan understanding the differences between biological and computer vision physics workbook answers six flagsa quieter life has allowed the popular science writer more time to puzzle over black holes and enjoy his new canadian

physics workbook answers six flags green lantern full pdf - Jul 31 2022

web physics workbook answers six flags green lantern 1 omb no physics workbook answers six flags green lantern ap physics workbook 1 k free fall 8th class physical science 1 force lesson question and answers from workbook epic math workbooks for self study what if earth was flat flat earth the dr

physics workbook answers six flags green lantern - Oct 02 2022

web lantern physics workbook answers six flags green lantern physics answer key for green lantern green lantern physics six flags physics workbook 2012 pdf download

physics workbook answers six flags green lantern 2023 - Jan 05 2023

web something here for the beginner the intermediate and the advanced vexillologist flag enthusiast a f ward s universal system of semaphoric color signals a novel and original invention by which 46 656 words can be represented with 6 colors mar 14 2022 feng shui for abundance feb 01 2021

physics workbook answers six flags green lantern imgur - Apr 08 2023

web find rate and share the best memes and images discover the magic of the internet at imgur

physics workbook answers six flags green lantern - Mar 07 2023

web we have the funds for physics workbook answers six flags green lantern and numerous books collections from fictions to scientific research in any way in the course of them is this physics workbook answers six flags

[physics workbook answers six flags green lantern pdf](#) - Jul 11 2023

web workbook answers physics workbook six flags answers as recognized adventure as skillfully as experience virtually lesson amusement as skillfully as harmony can be gotten by just

[physics workbook answers six flags green lantern 2023](#) - Sep 01 2022

web 2 physics workbook answers six flags green lantern 2023 08 20 needs another book but wellerstein has laid the born secret the heavy burden of bomb physics it s like what six flags tells

[solutions for physics 5th by james s walker numerade](#) - Nov 03 2022

web solutions for physics 5th james s walker get access to all of the answers and step by step video explanations to this book and 5 000 more try numerade free join free today chapters 1 introduction to physics 0 sections 61 questions 101 more 2

physics workbook answers six flags green lantern pdf - Dec 04 2022

web physics workbook answers six flags green lantern 3 3 naturally plays a major role in wisconsin s economy and its nickname america s dairyland speaks to the importance of agriculture of course cheeseheads abound in green bay and throughout the state as do the effigy mounds burial mounds in

[teacher manual six flags](#) - Aug 12 2023

web which show how that ride illustrates physics concepts 7 when checking student answers please remember that human reaction times vary and the speed of a ride depends on the temperature and time of day 8 many teachers have found it useful to have the workbook due at the end of the day this

[physics workbook six flags yumpu](#) - Oct 14 2023

web nov 29 2012 physics workbook six flags 1 green lantern s lift hill has an angle of 26 degrees and is 292 feet long what is the vertical displacement of the 2 calculate the work done by the roller coaster s electric motor to increase the train s gravitational potential energy 3 what is the minimum

[physics workbook answers six flags green lantern](#) - Feb 23 2022

web physics workbook answers six flags green lantern downloaded from ftp williamcurley co uk by guest siena choi born secret the heavy burden of bomb physics physics workbook answers six flags a quieter life has allowed the popular science writer more time to puzzle over black holes and enjoy his new

physics workbook answers six flags green lantern home of - May 09 2023

web april 15th 2018 download and read physics workbook answers six flags green lantern physics workbook answers six flags green lantern in this age of modern era the use of internet must be maximized 2 7

[be good be real be crazy read online free without](#) - Jun 22 2022

web in the tradition of let s get lost and amy roger s epic detour be good be real be crazy is a story about love friendship and

finding yourself this is a novel to be savored

be good be real be crazy kindle edition amazon com - Aug 05 2023

web 4 quotes from be good be real be crazy if you believe in gravity you already believe in something higher than yourself

be good be real be crazy philpot chelsey amazon sg books - Mar 20 2022

web praise for even in paradise if you re a certain kind of reader there s a very good chance you have both gossip girl and the great gatsby on your bookshelf even in

be good be real be crazy hardcover barnes noble - Sep 25 2022

web oct 11 2016 three teenagers one road trip countless detours from the author of even in paradise comes a story about love friendship and finding yourself that is perfect for

be good be real be crazy on apple books - Nov 15 2021

web nov 5 2023 the concept was good but we have unbelievable technology it can shoot a needle out of the air it is incredible it is just crazy it is crazy to see it it is crazy to

be good be real be crazy harpercollins - Aug 25 2022

web three teenagers one road trip countless detours from the author of even in paradise comes a story about love friendship and finding yourself that is perfect for fans of paper

be good be real be crazy 9780062293725 9780062293749 - Oct 27 2022

web oct 11 2016 home1 books2 be good be real be crazy 272 by chelsey philpotchelsey philpot editorial reviews read an excerpt of this book add to wishlist be good be

be good be real be crazy philpot chelsey amazon in books - Jan 30 2023

web buy be good be real be crazy by philpot chelsey online on amazon ae at best prices fast and free shipping free returns cash on delivery available on eligible purchase

be good be real be crazy chelsey philpot - May 22 2022

web three teenagers one road trip countless detours from the author of even in paradise comes a story about love friendship and finding yourself that is perfect for fans of paper

be good be real be crazy by philpot chelsey amazon ae - Dec 29 2022

web language english 265 pages 22 cm homer mia and einstein are three aimless teenagers searching for meaning on an epic road trip up the east coast a journey that

sport ballon d or 2023 qui sera le vainqueur laura - Sep 13 2021

be good be real be crazy by chelsey philpot goodreads - Oct 07 2023

web oct 11 2016 151 ratings 45 reviews three teenagers one road trip countless detours from the author of even in paradise comes a compelling story of self discovery that is

be good be real be crazy by chelsey philpot ebook - Jul 24 2022

web be good be real be crazy read free ebook by chelsey philpot in online reader directly on the web page select files or add your book in reader

be good be real be crazy philpot chelsey author free - Nov 27 2022

web be good be real be crazy is written by chelsey philpot and published by harper teen the digital and etextbook isbn for be good be real be crazy are 9780062293749

be good be real be crazy overdrive - Jan 18 2022

web three teenagers one road trip countless detours from the author of even in paradise comes a story about love friendship and finding yourself that is per

be good be real be crazy amazon com - Sep 06 2023

web oct 11 2016 in be good be real be crazy we follow homer and einstein a pair of adoptive teenage brothers as they shepherd the entrancing mia from their home in the

be good be real be crazy by chelsey philpot kirkus - May 02 2023

web read be good be real be crazy by chelsey philpot with a free trial read millions of ebooks and audiobooks on the web ipad iphone and android

be good be real be crazy by chelsey philpot publishers weekly - Feb 28 2023

web select the department you want to search in

trump millions of people would be alive now if - Oct 15 2021

web laura dave media vous permet de suivre en ce moment la cérémonie du ballon d or officiel soyez les témoins de ce duel privilégié entre messi et halland

be good be real be crazy by chelsey philpot ebook scribd - Apr 01 2023

web be good be real be crazy chelsey philpot harper teen 17 99 272p isbn 978 0 06 229372 5

be good be real be crazy by chelsey philpot google play - Jun 03 2023

web be good be real be crazy by chelsey philpot age range 14 16 buy now from amazon barnes noble local bookseller get weekly book

be good be real be crazy by chelsey philpot epic reads - Apr 20 2022

web hello sign in account lists returns orders cart

be good be real be crazy hardcover golden lab bookshop - Feb 16 2022

web oct 11 2016 be good be real be crazy ebook by chelsey philpot read a sample format ebook isbn 9780062293725 author chelsey philpot publisher harpercollins

be good be real be crazy quotes by chelsey philpot goodreads - Jul 04 2023

web be good be real be crazy ebook written by chelsey philpot read this book using google play books app on your pc android ios devices download for offline reading

be good be real be crazy chelsey philpot ebook - Dec 17 2021

web oct 11 2016 be good be real be crazy chelsey philpot 7 99 7 99 publisher description three teenagers one road trip countless detours from the author of even