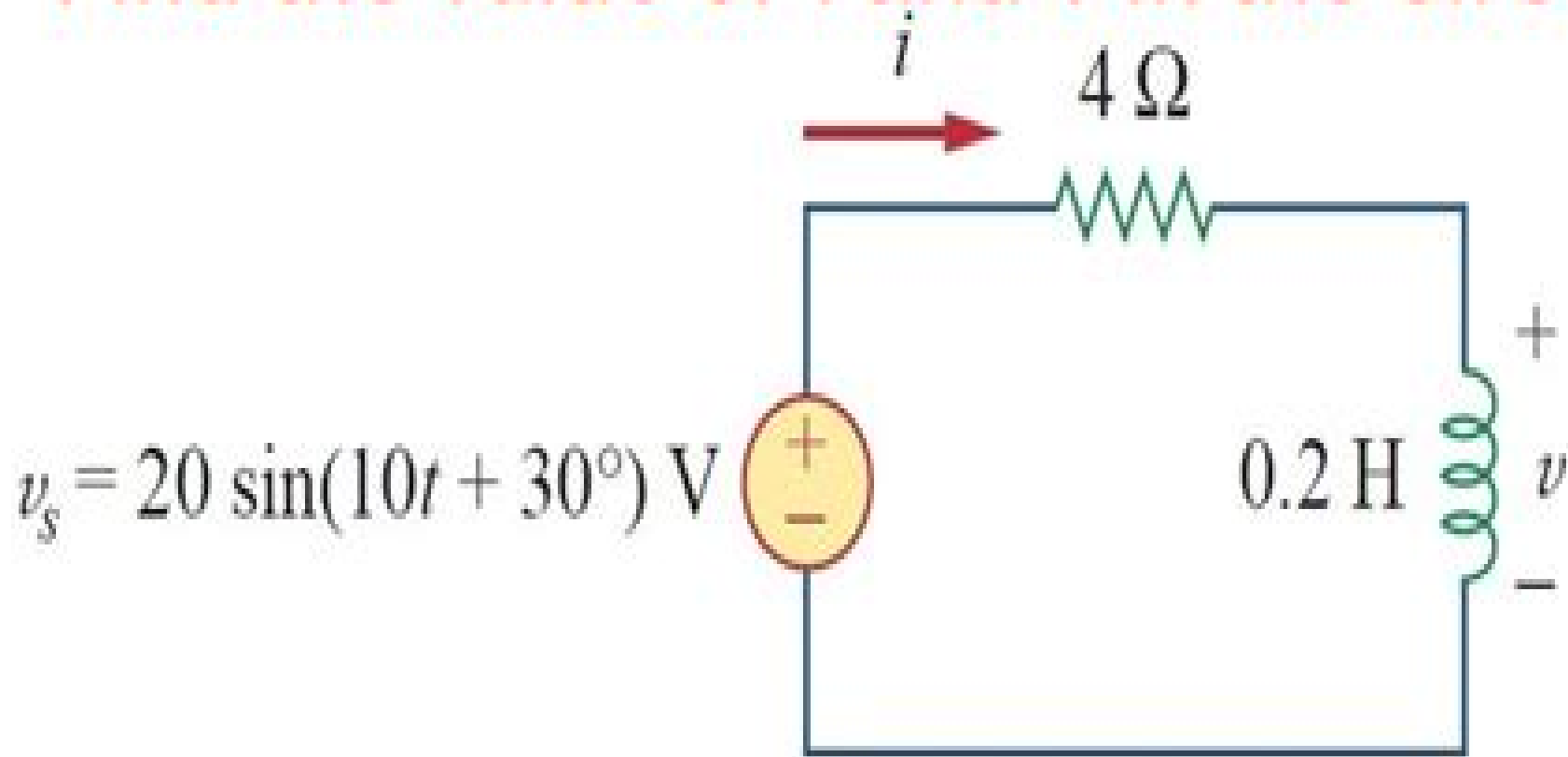


# Series R-L Circuit (Problems)

Find the value of  $i$  and  $v$  in the circuit



# Rc Rl Circuit Problems

**Kathleen Armour**



## **Rc RI Circuit Problems:**

Embark on a transformative journey with Written by is captivating work, Discover the Magic in **Rc Rl Circuit Problems** . This enlightening ebook, available for download in a convenient PDF format Download in PDF: , invites you to explore a world of boundless knowledge. Unleash your intellectual curiosity and discover the power of words as you dive into this riveting creation. Download now and elevate your reading experience to new heights .

[https://crm.avenza.com/About/browse/fetch.php/prada\\_business\\_plan.pdf](https://crm.avenza.com/About/browse/fetch.php/prada_business_plan.pdf)

## **Table of Contents Rc Rl Circuit Problems**

1. Understanding the eBook Rc Rl Circuit Problems
  - The Rise of Digital Reading Rc Rl Circuit Problems
  - Advantages of eBooks Over Traditional Books
2. Identifying Rc Rl Circuit Problems
  - Exploring Different Genres
  - Considering Fiction vs. Non-Fiction
  - Determining Your Reading Goals
3. Choosing the Right eBook Platform
  - Popular eBook Platforms
  - Features to Look for in an Rc Rl Circuit Problems
  - User-Friendly Interface
4. Exploring eBook Recommendations from Rc Rl Circuit Problems
  - Personalized Recommendations
  - Rc Rl Circuit Problems User Reviews and Ratings
  - Rc Rl Circuit Problems and Bestseller Lists
5. Accessing Rc Rl Circuit Problems Free and Paid eBooks
  - Rc Rl Circuit Problems Public Domain eBooks
  - Rc Rl Circuit Problems eBook Subscription Services
  - Rc Rl Circuit Problems Budget-Friendly Options

6. Navigating Rc Rl Circuit Problems eBook Formats
  - ePub, PDF, MOBI, and More
  - Rc Rl Circuit Problems Compatibility with Devices
  - Rc Rl Circuit Problems Enhanced eBook Features
7. Enhancing Your Reading Experience
  - Adjustable Fonts and Text Sizes of Rc Rl Circuit Problems
  - Highlighting and Note-Taking Rc Rl Circuit Problems
  - Interactive Elements Rc Rl Circuit Problems
8. Staying Engaged with Rc Rl Circuit Problems
  - Joining Online Reading Communities
  - Participating in Virtual Book Clubs
  - Following Authors and Publishers Rc Rl Circuit Problems
9. Balancing eBooks and Physical Books Rc Rl Circuit Problems
  - Benefits of a Digital Library
  - Creating a Diverse Reading Collection Rc Rl Circuit Problems
10. Overcoming Reading Challenges
  - Dealing with Digital Eye Strain
  - Minimizing Distractions
  - Managing Screen Time
11. Cultivating a Reading Routine Rc Rl Circuit Problems
  - Setting Reading Goals Rc Rl Circuit Problems
  - Carving Out Dedicated Reading Time
12. Sourcing Reliable Information of Rc Rl Circuit Problems
  - Fact-Checking eBook Content of Rc Rl Circuit Problems
  - Distinguishing Credible Sources
13. Promoting Lifelong Learning
  - Utilizing eBooks for Skill Development
  - Exploring Educational eBooks
14. Embracing eBook Trends
  - Integration of Multimedia Elements

- Interactive and Gamified eBooks

## **Rc Rl Circuit Problems Introduction**

Free PDF Books and Manuals for Download: Unlocking Knowledge at Your Fingertips In today's fast-paced digital age, obtaining valuable knowledge has become easier than ever. Thanks to the internet, a vast array of books and manuals are now available for free download in PDF format. Whether you are a student, professional, or simply an avid reader, this treasure trove of downloadable resources offers a wealth of information, conveniently accessible anytime, anywhere. The advent of online libraries and platforms dedicated to sharing knowledge has revolutionized the way we consume information. No longer confined to physical libraries or bookstores, readers can now access an extensive collection of digital books and manuals with just a few clicks. These resources, available in PDF, Microsoft Word, and PowerPoint formats, cater to a wide range of interests, including literature, technology, science, history, and much more. One notable platform where you can explore and download free Rc Rl Circuit Problems PDF books and manuals is the internet's largest free library. Hosted online, this catalog compiles a vast assortment of documents, making it a veritable goldmine of knowledge. With its easy-to-use website interface and customizable PDF generator, this platform offers a user-friendly experience, allowing individuals to effortlessly navigate and access the information they seek. The availability of free PDF books and manuals on this platform demonstrates its commitment to democratizing education and empowering individuals with the tools needed to succeed in their chosen fields. It allows anyone, regardless of their background or financial limitations, to expand their horizons and gain insights from experts in various disciplines. One of the most significant advantages of downloading PDF books and manuals lies in their portability. Unlike physical copies, digital books can be stored and carried on a single device, such as a tablet or smartphone, saving valuable space and weight. This convenience makes it possible for readers to have their entire library at their fingertips, whether they are commuting, traveling, or simply enjoying a lazy afternoon at home. Additionally, digital files are easily searchable, enabling readers to locate specific information within seconds. With a few keystrokes, users can search for keywords, topics, or phrases, making research and finding relevant information a breeze. This efficiency saves time and effort, streamlining the learning process and allowing individuals to focus on extracting the information they need. Furthermore, the availability of free PDF books and manuals fosters a culture of continuous learning. By removing financial barriers, more people can access educational resources and pursue lifelong learning, contributing to personal growth and professional development. This democratization of knowledge promotes intellectual curiosity and empowers individuals to become lifelong learners, promoting progress and innovation in various fields. It is worth noting that while accessing free Rc Rl Circuit Problems PDF books and manuals is convenient and cost-effective, it is vital to respect copyright laws and intellectual property rights. Platforms offering free downloads often operate within legal boundaries, ensuring that

the materials they provide are either in the public domain or authorized for distribution. By adhering to copyright laws, users can enjoy the benefits of free access to knowledge while supporting the authors and publishers who make these resources available. In conclusion, the availability of Rc Rl Circuit Problems free PDF books and manuals for download has revolutionized the way we access and consume knowledge. With just a few clicks, individuals can explore a vast collection of resources across different disciplines, all free of charge. This accessibility empowers individuals to become lifelong learners, contributing to personal growth, professional development, and the advancement of society as a whole. So why not unlock a world of knowledge today? Start exploring the vast sea of free PDF books and manuals waiting to be discovered right at your fingertips.

### FAQs About Rc Rl Circuit Problems Books

1. Where can I buy Rc Rl Circuit Problems books? Bookstores: Physical bookstores like Barnes & Noble, Waterstones, and independent local stores. Online Retailers: Amazon, Book Depository, and various online bookstores offer a wide range of books in physical and digital formats.
2. What are the different book formats available? Hardcover: Sturdy and durable, usually more expensive. Paperback: Cheaper, lighter, and more portable than hardcovers. E-books: Digital books available for e-readers like Kindle or software like Apple Books, Kindle, and Google Play Books.
3. How do I choose a Rc Rl Circuit Problems book to read? Genres: Consider the genre you enjoy (fiction, non-fiction, mystery, sci-fi, etc.). Recommendations: Ask friends, join book clubs, or explore online reviews and recommendations. Author: If you like a particular author, you might enjoy more of their work.
4. How do I take care of Rc Rl Circuit Problems books? Storage: Keep them away from direct sunlight and in a dry environment. Handling: Avoid folding pages, use bookmarks, and handle them with clean hands. Cleaning: Gently dust the covers and pages occasionally.
5. Can I borrow books without buying them? Public Libraries: Local libraries offer a wide range of books for borrowing. Book Swaps: Community book exchanges or online platforms where people exchange books.
6. How can I track my reading progress or manage my book collection? Book Tracking Apps: Goodreads, LibraryThing, and Book Catalogue are popular apps for tracking your reading progress and managing book collections. Spreadsheets: You can create your own spreadsheet to track books read, ratings, and other details.
7. What are Rc Rl Circuit Problems audiobooks, and where can I find them? Audiobooks: Audio recordings of books,

- perfect for listening while commuting or multitasking. Platforms: Audible, LibriVox, and Google Play Books offer a wide selection of audiobooks.
8. How do I support authors or the book industry? Buy Books: Purchase books from authors or independent bookstores. Reviews: Leave reviews on platforms like Goodreads or Amazon. Promotion: Share your favorite books on social media or recommend them to friends.
  9. Are there book clubs or reading communities I can join? Local Clubs: Check for local book clubs in libraries or community centers. Online Communities: Platforms like Goodreads have virtual book clubs and discussion groups.
  10. Can I read Rc Rl Circuit Problems books for free? Public Domain Books: Many classic books are available for free as they're in the public domain. Free E-books: Some websites offer free e-books legally, like Project Gutenberg or Open Library.

### **Find Rc Rl Circuit Problems :**

**prada business plan**

[practice dosage problems for nurses](#)

[practicing p1 lyf scnce grd11 nov](#)

[praxis 519study guide](#)

[practicing positive leadership tools and techniques that create extraordinary results](#)

[praxis ii study guide 0101](#)

[praxis ii 001study guide](#)

[praxis 2 5086 practice test](#)

**practice hall mathematics geometry study guide and intervention**

[pratt and whitney engine maintenance manual](#)

[praxis special education 5354 practice test](#)

[practice problems potential and kinetic energy answers](#)

[praxis 0235 study guide](#)

**pre calculus with limits texas edition solutions**

[pre ap world history study guide](#)



**Rc Rl Circuit Problems :**

2001 Skandic 500 WT wiring diagram question - Ski Doo Talk Jan 14, 2022 — I'm trying to make sense of the wiring diagram for my machine. My understanding is this machine uses DC power to charge the battery and AC ... 2001 Skandic 500 WT wiring diagram question Jan 14, 2022 — I'm trying to make sense of the wiring diagram for my machine. My understanding is this machine uses DC power to charge the battery and AC ... Electric Diagram Skandic PDF Section 11 WIRING DIAGRAMS. Subsection 01 (WIRING DIAGRAMS). WIRING DIAGRAMS 0. ELECTRICAL WIRING HEADLIGHT TAILLIGHT SYSTEM MODEL DIAGRAM (WATT) (WATT) ... Bombardier Skidoo 1998-99 Electric Wiring Diagram | PDF Keep wires away from any rotating, moving, heating, vibrating or sharp edge. Use proper fastening devices as required. WARNING. 11-01-8. ANNEX 1. SKANDIC WT/SWT. BRP Ski-Doo Tundra R, Skandic LT, WT, SWT, WT LC ... Section 11 WIRING DIAGRAMS Subsection 01 (WIRING DIAGRAMS) WIRING DIAGRAMS 0 HEADLIGHT (watt) TAILLIGHT (watt) ELECTRICAL SYSTEM OUTPUT (watt) Tundra R ... Ski-doo SKANDIC 500 1997 Manuals Manuals and User Guides for Ski-Doo SKANDIC 500 1997. We have 1 Ski-Doo SKANDIC 500 1997 manual available for free PDF download: Shop Manual ... EN - Operator Guide (PDF) With the snowmobile completely stopped and engine running at idle, press and release the electronic reverse button. SKANDIC 380/500, TOURING E/LE/SLE AND ... Ski-Doo SKANDIC WT 550F Electrical - 550F Diagram Buy OEM Parts for Ski-Doo 2019 SKANDIC WT 550F Electrical - 550F Diagram. ... 500, Ignition Swirch 515177063. In Stock. Sign in to see price. 600, Brake Switch Genuine Ski-Doo Dealer Service Manual Wiring Diagram ... Genuine Ski-Doo Dealer Service Manual Wiring Diagram 2015 Skandic WT 600 ACE iTC ; PARTS-TRADERS (81226) ; Approx. C \$13.59 ; Delivery. Free shipping - In time for ... Wood-mizer LT70 Series Manuals We have 7 Wood-mizer LT70 Series manuals available for free PDF download: Operator's Manual, Safety, Operation, Maintenance & Parts Manual, Safety, Installation ... How To Use The Parts List; Sample Assembly - Wood- ... Parts List; How To Use The Parts List; Sample Assembly - Wood-mizer LT70 Series Operator's Manual · Operator's manual (80 pages) · Safety, operation, maintenance ... Genuine Spare Parts for Wood-Mizer Sawmill Equipment Shop genuine parts for your Wood-Mizer sawmill and wood processing equipment. Search our parts catalog and order parts online specific to your equipment. LT70 Sawmill Parts Pack Parts pack designed specifically for LT70 portable sawmills! The LT70 Sawmill Parts Pack includes 2 B72.5 blade wheel belts, 2 blade guide rollers, 3 cam ... Maintenance Guides | Wood-Mizer USA If time is an issue, or if you're a do-it-yourself type of person, review our troubleshooting topics to learn how to solve some of the issues your mill may ... Spare Parts Blade wheel belt compatible with Wood-Mizer LT70 portable sawmills. Part #: 017922-1. Price does not include VAT. Badge. Wood-Mizer Parts | Genuine Spare ... Shop genuine parts for your Wood-Mizer sawmill and wood processing equipment. Search our parts catalog and order parts online specific to your equipment. Wood-mizer LT70 Series Safety, Installation, Operation ... View online (41 pages) or download PDF (1 MB) Wood-mizer LT70 Series User manual · LT70 Series PDF manual download and more Wood-mizer online manuals. Spare Parts for Wood-Mizer LT70

Sawmill | Compatible with Spare Parts for Wood-Mizer LT70 Sawmill · Badge. B72.5 Blade Wheel Belt. £45.65. Compare. Part #: 017922-1 · Badge. Cam Follower (McGill). £37.00. Compare. Part ... Woodmizer Owners Anyone with experience with WoodMizer finance? I got the phone call yesterday that our LT 70 was in. Our initial plan was to sell our LT 50 and put the money Cosmetology If you are having problems completing the application process, please contact us at 517-241-0199 for assistance and we can help walk you through the process. michigan cosmetology licensing guide If exempt under law from obtaining a SSN or do not have a SSN, the SSN affidavit form will be required to be uploaded at the time the application is submitted. Licensing and Regulatory Affairs The Department of Licensing and Regulatory Affairs has great diversity of licenses and regulation within its oversight. Our LARA Veteran Liaisons may be ... michigan cosmetologist licensing guide security number at the time of application. If exempt under law from obtaining an SSN or you do not have an SSN, the SSN affidavit form will be required to be ... Cosmetology Schools - Theory and Practical Hours Michigan Office of Administrative Hearings and Rules; Michigan Indigent ... /lara/bureau-list/bpl/occ/prof/cosmetology/cos-schools/cosmetology-schools-theory ... Contact the Bureau of Professional Licensing Certified License Verification <https://www.michigan.gov/lara/bureau-list/bpl/cert-lic>. 517-241-0199 ; Inspections & Investigations Division ; Inspections & ... Contact Us The Department of Licensing and Regulatory Affairs (LARA) is composed of the ... The Child Care Licensing Bureau performs state licensing regulatory duties as ... Board of Cosmetology Feb 1, 2021 — (n) “Specialty license” means an electrologist license, esthetician license, manicurist license, or natural hair cultivation license. (o) “ ... Renewing a License The renewal fee is \$125. Payments received by mail or in person will not be accepted and the renewal will not be processed. If a licensee fails to renew online ... eLicense Michigan's Online License Application/Renewal Service · Commercial & Occupational Professions · Health Professions · Health Facilities · Veteran-Friendly Employer.