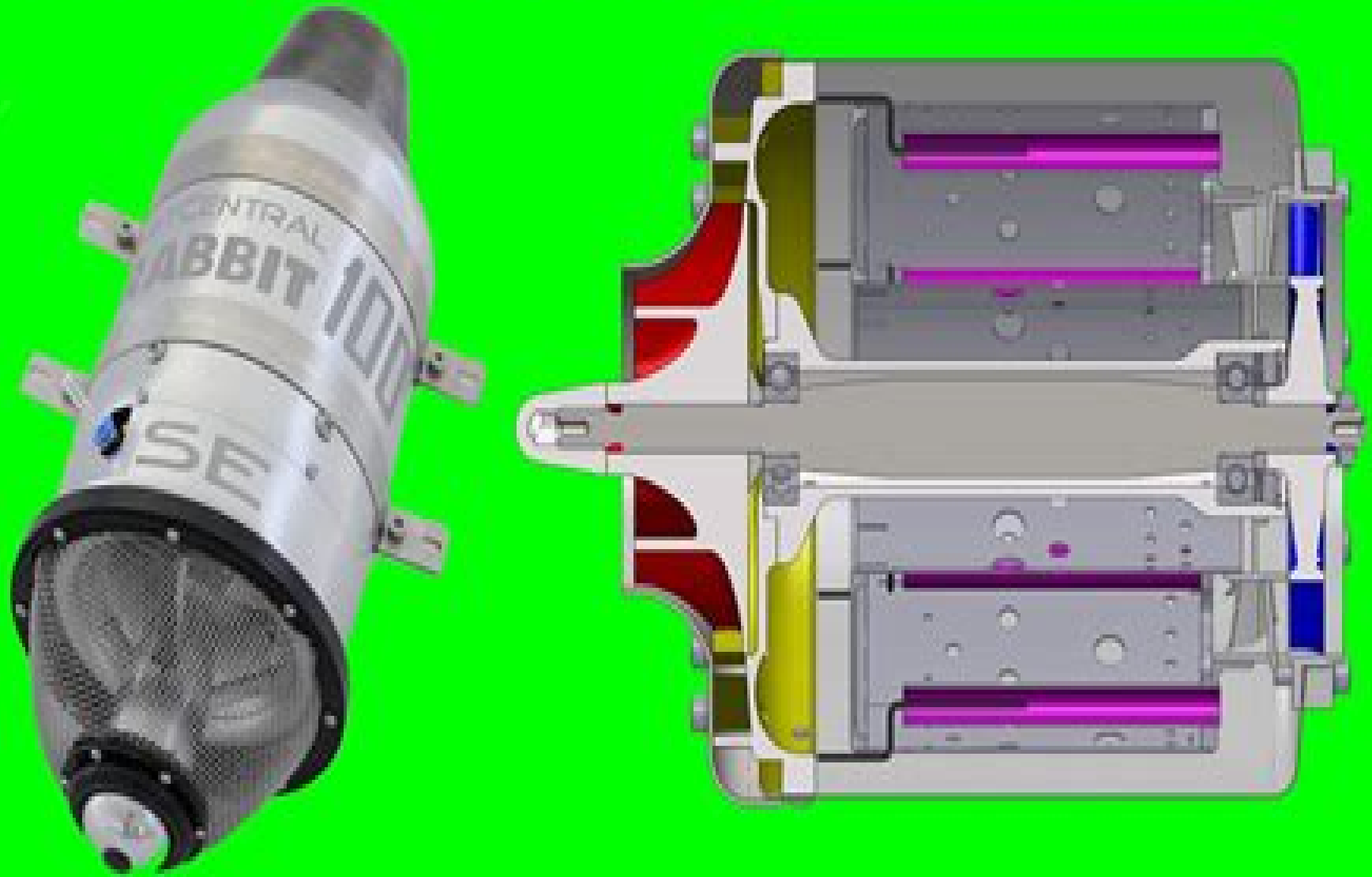


How a Model Jet Turbine Works



Rc Jet Engine Building Plans

RJ Shavelson



Rc Jet Engine Building Plans:

Popular Mechanics ,1950-05 Popular Mechanics inspires instructs and influences readers to help them master the modern world Whether it s practical DIY home improvement tips gadgets and digital technology information on the newest cars or the latest breakthroughs in science PM is the ultimate guide to our high tech lifestyle **Popular Science** ,1972-05 Popular Science gives our readers the information and tools to improve their technology and their world The core belief that Popular Science and our readers share The future is going to be better and science and technology are the driving forces that will help make it better **Popular Mechanics** ,1966-03 Popular Mechanics inspires instructs and influences readers to help them master the modern world Whether it s practical DIY home improvement tips gadgets and digital technology information on the newest cars or the latest breakthroughs in science PM is the ultimate guide to our high tech lifestyle **Popular Mechanics** ,1955-01 Popular Mechanics inspires instructs and influences readers to help them master the modern world Whether it s practical DIY home improvement tips gadgets and digital technology information on the newest cars or the latest breakthroughs in science PM is the ultimate guide to our high tech lifestyle *Popular Mechanics* ,1997-02 Popular Mechanics inspires instructs and influences readers to help them master the modern world Whether it s practical DIY home improvement tips gadgets and digital technology information on the newest cars or the latest breakthroughs in science PM is the ultimate guide to our high tech lifestyle Popular Mechanics ,1988-01 Popular Mechanics inspires instructs and influences readers to help them master the modern world Whether it s practical DIY home improvement tips gadgets and digital technology information on the newest cars or the latest breakthroughs in science PM is the ultimate guide to our high tech lifestyle **Popular Science** ,1974-11 Popular Science gives our readers the information and tools to improve their technology and their world The core belief that Popular Science and our readers share The future is going to be better and science and technology are the driving forces that will help make it better *Popular Science* ,1972-04 Popular Science gives our readers the information and tools to improve their technology and their world The core belief that Popular Science and our readers share The future is going to be better and science and technology are the driving forces that will help make it better Popular Science ,1976-07 Popular Science gives our readers the information and tools to improve their technology and their world The core belief that Popular Science and our readers share The future is going to be better and science and technology are the driving forces that will help make it better *Popular Science* ,1975-11 Popular Science gives our readers the information and tools to improve their technology and their world The core belief that Popular Science and our readers share The future is going to be better and science and technology are the driving forces that will help make it better Popular Science ,1949-04 Popular Science gives our readers the information and tools to improve their technology and their world The core belief that Popular Science and our readers share The future is going to be better and science and technology are the driving forces that will help make it better **Popular**

Science ,1976-09 Popular Science gives our readers the information and tools to improve their technology and their world The core belief that Popular Science and our readers share The future is going to be better and science and technology are the driving forces that will help make it better *Air Trails Pictorial* ,1972 Popular Science ,1974-01 Popular Science gives our readers the information and tools to improve their technology and their world The core belief that Popular Science and our readers share The future is going to be better and science and technology are the driving forces that will help make it better **Popular Mechanics** ,1946-04 Popular Mechanics inspires instructs and influences readers to help them master the modern world Whether it s practical DIY home improvement tips gadgets and digital technology information on the newest cars or the latest breakthroughs in science PM is the ultimate guide to our high tech lifestyle *Popular Mechanics* ,1959-12 Popular Mechanics inspires instructs and influences readers to help them master the modern world Whether it s practical DIY home improvement tips gadgets and digital technology information on the newest cars or the latest breakthroughs in science PM is the ultimate guide to our high tech lifestyle **Popular Mechanics** ,1954-08 Popular Mechanics inspires instructs and influences readers to help them master the modern world Whether it s practical DIY home improvement tips gadgets and digital technology information on the newest cars or the latest breakthroughs in science PM is the ultimate guide to our high tech lifestyle Popular Science ,1976-01 Popular Science gives our readers the information and tools to improve their technology and their world The core belief that Popular Science and our readers share The future is going to be better and science and technology are the driving forces that will help make it better *Popular Science* ,1973-11 Popular Science gives our readers the information and tools to improve their technology and their world The core belief that Popular Science and our readers share The future is going to be better and science and technology are the driving forces that will help make it better Western Machinery and Steel World ... ,1952

Recognizing the quirk ways to acquire this book **Rc Jet Engine Building Plans** is additionally useful. You have remained in right site to start getting this info. get the Rc Jet Engine Building Plans associate that we pay for here and check out the link.

You could purchase guide Rc Jet Engine Building Plans or acquire it as soon as feasible. You could speedily download this Rc Jet Engine Building Plans after getting deal. So, following you require the ebook swiftly, you can straight get it. Its as a result unquestionably easy and fittingly fats, isnt it? You have to favor to in this flavor

https://crm.avenza.com/book/publication/index.jsp/renault_megane_cabrio_workshop_repair_manual.pdf

Table of Contents Rc Jet Engine Building Plans

1. Understanding the eBook Rc Jet Engine Building Plans
 - The Rise of Digital Reading Rc Jet Engine Building Plans
 - Advantages of eBooks Over Traditional Books
2. Identifying Rc Jet Engine Building Plans
 - Exploring Different Genres
 - Considering Fiction vs. Non-Fiction
 - Determining Your Reading Goals
3. Choosing the Right eBook Platform
 - Popular eBook Platforms
 - Features to Look for in an Rc Jet Engine Building Plans
 - User-Friendly Interface
4. Exploring eBook Recommendations from Rc Jet Engine Building Plans
 - Personalized Recommendations
 - Rc Jet Engine Building Plans User Reviews and Ratings
 - Rc Jet Engine Building Plans and Bestseller Lists
5. Accessing Rc Jet Engine Building Plans Free and Paid eBooks
 - Rc Jet Engine Building Plans Public Domain eBooks

- Rc Jet Engine Building Plans eBook Subscription Services
- Rc Jet Engine Building Plans Budget-Friendly Options
- 6. Navigating Rc Jet Engine Building Plans eBook Formats
 - ePub, PDF, MOBI, and More
 - Rc Jet Engine Building Plans Compatibility with Devices
 - Rc Jet Engine Building Plans Enhanced eBook Features
- 7. Enhancing Your Reading Experience
 - Adjustable Fonts and Text Sizes of Rc Jet Engine Building Plans
 - Highlighting and Note-Taking Rc Jet Engine Building Plans
 - Interactive Elements Rc Jet Engine Building Plans
- 8. Staying Engaged with Rc Jet Engine Building Plans
 - Joining Online Reading Communities
 - Participating in Virtual Book Clubs
 - Following Authors and Publishers Rc Jet Engine Building Plans
- 9. Balancing eBooks and Physical Books Rc Jet Engine Building Plans
 - Benefits of a Digital Library
 - Creating a Diverse Reading Collection Rc Jet Engine Building Plans
- 10. Overcoming Reading Challenges
 - Dealing with Digital Eye Strain
 - Minimizing Distractions
 - Managing Screen Time
- 11. Cultivating a Reading Routine Rc Jet Engine Building Plans
 - Setting Reading Goals Rc Jet Engine Building Plans
 - Carving Out Dedicated Reading Time
- 12. Sourcing Reliable Information of Rc Jet Engine Building Plans
 - Fact-Checking eBook Content of Rc Jet Engine Building Plans
 - Distinguishing Credible Sources
- 13. Promoting Lifelong Learning
 - Utilizing eBooks for Skill Development
 - Exploring Educational eBooks

14. Embracing eBook Trends

- Integration of Multimedia Elements
- Interactive and Gamified eBooks

Rc Jet Engine Building Plans Introduction

Free PDF Books and Manuals for Download: Unlocking Knowledge at Your Fingertips In today's fast-paced digital age, obtaining valuable knowledge has become easier than ever. Thanks to the internet, a vast array of books and manuals are now available for free download in PDF format. Whether you are a student, professional, or simply an avid reader, this treasure trove of downloadable resources offers a wealth of information, conveniently accessible anytime, anywhere. The advent of online libraries and platforms dedicated to sharing knowledge has revolutionized the way we consume information. No longer confined to physical libraries or bookstores, readers can now access an extensive collection of digital books and manuals with just a few clicks. These resources, available in PDF, Microsoft Word, and PowerPoint formats, cater to a wide range of interests, including literature, technology, science, history, and much more. One notable platform where you can explore and download free Rc Jet Engine Building Plans PDF books and manuals is the internet's largest free library. Hosted online, this catalog compiles a vast assortment of documents, making it a veritable goldmine of knowledge. With its easy-to-use website interface and customizable PDF generator, this platform offers a user-friendly experience, allowing individuals to effortlessly navigate and access the information they seek. The availability of free PDF books and manuals on this platform demonstrates its commitment to democratizing education and empowering individuals with the tools needed to succeed in their chosen fields. It allows anyone, regardless of their background or financial limitations, to expand their horizons and gain insights from experts in various disciplines. One of the most significant advantages of downloading PDF books and manuals lies in their portability. Unlike physical copies, digital books can be stored and carried on a single device, such as a tablet or smartphone, saving valuable space and weight. This convenience makes it possible for readers to have their entire library at their fingertips, whether they are commuting, traveling, or simply enjoying a lazy afternoon at home. Additionally, digital files are easily searchable, enabling readers to locate specific information within seconds. With a few keystrokes, users can search for keywords, topics, or phrases, making research and finding relevant information a breeze. This efficiency saves time and effort, streamlining the learning process and allowing individuals to focus on extracting the information they need. Furthermore, the availability of free PDF books and manuals fosters a culture of continuous learning. By removing financial barriers, more people can access educational resources and pursue lifelong learning, contributing to personal growth and professional development. This democratization of knowledge promotes intellectual curiosity and empowers individuals to become lifelong learners, promoting progress and innovation in various fields. It is worth noting that while

accessing free Rc Jet Engine Building Plans PDF books and manuals is convenient and cost-effective, it is vital to respect copyright laws and intellectual property rights. Platforms offering free downloads often operate within legal boundaries, ensuring that the materials they provide are either in the public domain or authorized for distribution. By adhering to copyright laws, users can enjoy the benefits of free access to knowledge while supporting the authors and publishers who make these resources available. In conclusion, the availability of Rc Jet Engine Building Plans free PDF books and manuals for download has revolutionized the way we access and consume knowledge. With just a few clicks, individuals can explore a vast collection of resources across different disciplines, all free of charge. This accessibility empowers individuals to become lifelong learners, contributing to personal growth, professional development, and the advancement of society as a whole. So why not unlock a world of knowledge today? Start exploring the vast sea of free PDF books and manuals waiting to be discovered right at your fingertips.

FAQs About Rc Jet Engine Building Plans Books

How do I know which eBook platform is the best for me? Finding the best eBook platform depends on your reading preferences and device compatibility. Research different platforms, read user reviews, and explore their features before making a choice. Are free eBooks of good quality? Yes, many reputable platforms offer high-quality free eBooks, including classics and public domain works. However, make sure to verify the source to ensure the eBook credibility. Can I read eBooks without an eReader? Absolutely! Most eBook platforms offer webbased readers or mobile apps that allow you to read eBooks on your computer, tablet, or smartphone. How do I avoid digital eye strain while reading eBooks? To prevent digital eye strain, take regular breaks, adjust the font size and background color, and ensure proper lighting while reading eBooks. What the advantage of interactive eBooks? Interactive eBooks incorporate multimedia elements, quizzes, and activities, enhancing the reader engagement and providing a more immersive learning experience. Rc Jet Engine Building Plans is one of the best book in our library for free trial. We provide copy of Rc Jet Engine Building Plans in digital format, so the resources that you find are reliable. There are also many Ebooks of related with Rc Jet Engine Building Plans. Where to download Rc Jet Engine Building Plans online for free? Are you looking for Rc Jet Engine Building Plans PDF? This is definitely going to save you time and cash in something you should think about. If you trying to find then search around for online. Without a doubt there are numerous these available and many of them have the freedom. However without doubt you receive whatever you purchase. An alternate way to get ideas is always to check another Rc Jet Engine Building Plans. This method for see exactly what may be included and adopt these ideas to your book. This site will almost certainly help you save time and effort, money and stress. If you are looking for free books then you really should consider finding to assist you try

this. Several of Rc Jet Engine Building Plans are for sale to free while some are payable. If you arent sure if the books you would like to download works with for usage along with your computer, it is possible to download free trials. The free guides make it easy for someone to free access online library for download books to your device. You can get free download on free trial for lots of books categories. Our library is the biggest of these that have literally hundreds of thousands of different products categories represented. You will also see that there are specific sites catered to different product types or categories, brands or niches related with Rc Jet Engine Building Plans. So depending on what exactly you are searching, you will be able to choose e books to suit your own need. Need to access completely for Campbell Biology Seventh Edition book? Access Ebook without any digging. And by having access to our ebook online or by storing it on your computer, you have convenient answers with Rc Jet Engine Building Plans To get started finding Rc Jet Engine Building Plans, you are right to find our website which has a comprehensive collection of books online. Our library is the biggest of these that have literally hundreds of thousands of different products represented. You will also see that there are specific sites catered to different categories or niches related with Rc Jet Engine Building Plans So depending on what exactly you are searching, you will be able to choose ebook to suit your own need. Thank you for reading Rc Jet Engine Building Plans. Maybe you have knowledge that, people have search numerous times for their favorite readings like this Rc Jet Engine Building Plans, but end up in harmful downloads. Rather than reading a good book with a cup of coffee in the afternoon, instead they juggled with some harmful bugs inside their laptop. Rc Jet Engine Building Plans is available in our book collection an online access to it is set as public so you can download it instantly. Our digital library spans in multiple locations, allowing you to get the most less latency time to download any of our books like this one. Merely said, Rc Jet Engine Building Plans is universally compatible with any devices to read.

Find Rc Jet Engine Building Plans :

[renault megane cabrio workshop repair manual](#)

[renault kangoo repair manual 2000](#)

[renault clio mk2 manual 2000](#)

[relevance of social media some appalling facts about social media](#)

[renault clio dynamique owners manual](#)

[renault laguna 20manual](#)

[religion practice study guide for acre](#)

[renault megane sedan user guide](#)

[remington 1100 16 gauge manual](#)

reliabil sliding doors installation guide

reloading guide edition lapua

renault megane scenic rx4 forum

removing scania wheel hub workshop manual

rellenong manok recipe

renault logan manual

Rc Jet Engine Building Plans :

energies free full text flame structure at elevated pressure - Jan 19 2022

web 16 hours ago understanding and controlling the combustion of clean and efficient fuel blends like methane hydrogen is essential for optimizing energy production processes

modernchemistrysectionquiz gasesandpressure - Mar 21 2022

web modern chemistry section quiz gases and pressure pdf modern chemistry section quiz gases and pressure 2 10 downloaded from staging friends library org on december

gases pressure quiz softschools com - Dec 30 2022

web pressure has many units the standard in chemistry is the atmosphere atm one atmosphere is equivalent to 14 7 psi pounds per square inch is equal to 101 3

modern chemistry section quiz gases and pressure old cosmc - May 23 2022

web properties non ideal behavior of gases partial pressure calculations plasma state pressure units solid s properties states of matter thermometry scales and van der waals

chapter 11 gases flashcards quizlet - Jul 05 2023

web states that the total pressure of a mixture of gases is equal to the sum of the pressures of all the gases in the mixture boyle s law $p_1V_1 = p_2V_2$ the relationship between the

pdf modern chemistry section quiz gases and pressure - Mar 01 2023

web modern chemistry section quiz gases and pressure barron s sat subject test chemistry with online tests apr 18 2022 the updated edition of barron s sat subject

modern chemistry section quiz gases and pressure download - Nov 16 2021

web modern chemistry section quiz gases and pressure cracking the tasc test assessing secondary completion handbook of modern chemistry inorganic and

modern chemistry section quiz gases and pressure - Jun 23 2022

web download modern chemistry section quiz gases and pressure pdf epub modern chemistry section quiz gases and pressure it would be nice if were able to download

[modern chemistry chapter 11 flashcards quizlet](#) - Jun 04 2023

web the volume of a fixed mass of gas at constant pressure varies directly with kelvin temperature $v \propto T$ $v_1/T_1 = v_2/T_2$ gay lussac's law the pressure of a fixed mass of

modern chemistry section quiz gases and pressure 2022 - Apr 21 2022

web modern chemistry section quiz gases and pressure downloaded from old syndeohro.com by guest middleton middleton modern chemistry simon and

modern chemistry section quiz gases and pressure - Nov 28 2022

web the course of guides you could enjoy now is modern chemistry section quiz gases and pressure below modern chemistry with its practical applications fredus nelson

basic gas chemistry quiz proprofs quiz - Aug 26 2022

web mar 22 2023 take up the gas chemistry quiz below and get to know what else you have understood from the topic so far questions and answers 1 increasing the number of

mc06sete cfmsq i vi ed w clark high school - Oct 08 2023

web mar 17 2016 modern chemistry 72 quiz section quiz gases and pressure in the space provided write the letter of the term or phrase that best completes each sentence

modern chemistry section quiz gases and pressure pdf - Oct 16 2021

web modern chemistry section quiz gases and pressure 1 modern chemistry section quiz gases and pressure aerodynamic loads on a leading edge flap and a leading

modern chemistry section quiz gases and pressure pdf - Jul 25 2022

web modern chemistry section quiz gases and pressure 1 modern chemistry section quiz gases and pressure test methods for explosives college chemistry multiple

modern chemistry section quiz gases and pressure copy - Oct 28 2022

web modern chemistry section quiz gases and pressure chemistry jan 10 2023 emphasises on contemporary applications and an intuitive problem solving approach

modern chemistry section quiz gases and pressure download - Apr 02 2023

web modern gas based temperature and pressure measurements 2nd edition is the only comprehensive survey of methods for pressure measurement in gaseous media used in

modern chemistry section quiz gases and pressure - Dec 18 2021

web oswaal jee main mock test 15 sample question papers physics chemistry mathematics for 2023 exam design and development of an isostatic test method for

modern chemistry section quiz gases and pressure - Sep 26 2022

web modern chemistry section quiz gases and pressure this is likewise one of the factors by obtaining the soft documents of this modern chemistry section quiz gases and

modern chemistry section quiz gases and pressure pdf - Feb 17 2022

web modern chemistry section quiz gases and pressure 3 3 framework while allowing significant flexibility for instructors each section of the book includes an introduction

modern chemistry chapter 11 vocabulary flashcards quizlet - May 03 2023

web the law that states that the volume occupied by a gas at a constant pressure is directly proportional to the absolute temperature combined gas law the relationship between

8 4 gases and pressure chemistry libretxts - Jan 31 2023

web jul 30 2020 pressure is a property we can measure for a gas but we typically do not consider pressure for solids or liquids figure pageindex 1 gas pressure

home schoolmessenger - Sep 07 2023

web gases class date ch 6 77 z section quiz gases and pressure in the space provided write the letter of the term or phrase that best completes each sentence or best

holt mcdougal modern chemistry chapter 11 gases practice - Aug 06 2023

web the vapor pressure of water at that temperature is 24 mmhg if the atmospheric pressure is 800 mmhg then what is the pressure of the dry gas you collected 776 mmhg 824

sternstunden 60 jahre die mercedes formel 1 motorbuch verlag - Apr 12 2023

web sternstunden 60 jahre die mercedes formel 1 erfolgsstory michael schmidt manchmal gen¹/₄gt ein rennen eine geniale runde ein fantastisches  berholman  ber ein man  ber um in die ruhmeshalle des motorsports einzuziehen schlicht ein rennen zur unsterblichkeit die geschichte von

sternstunden 60 jahre die mercedes formel 1 erfol - Aug 04 2022

web 4 sternstunden 60 jahre die mercedes formel 1 erfol 2022 08 22 and continues on up to the current clk s to the 2003 model year this approach better serves those who are in the market for personal cars by not spreading the book too thin to cover the entire mercedes benz lineup explore all the traditional elements of the buyer s

sternstunden 60 jahre die mercedes formel 1 erfol download - Jan 09 2023

web 2 sternstunden 60 jahre die mercedes formel 1 erfol 2023 01 08 sternstunden 60 jahre die mercedes formel 1 erfol

downloaded from ci kubesail com by guest hana rogers the porsche 911 book mi wirtschaftsbuch in november 2002 an international conference was held at the institute of germanic studies in london in order to

[sternstunden 60 jahre die mercedes formel 1 erfolgsstory by](#) - Mar 31 2022

web sternstunden 60 jahre die mercedes formel 1 formel 1 ausstieg mercedes dementiert spekulationen libro sternstunden 60 jahre die mercedes formel 1 sternstunden von michael schmidt 2015 gebundene ausgabe mercedes feiert wm in england das sagen die

sternstunden 60 jahre die mercedes formel 1 erfol copy - Dec 08 2022

web sternstunden 60 jahre die mercedes formel 1 erfol 1 8 downloaded from uniport edu ng on april 16 2023 by guest sternstunden 60 jahre die mercedes formel 1 erfol getting the books sternstunden 60 jahre die mercedes formel 1 erfol now is not type of challenging means

formel 1 heute vor 54 jahren sternstunde einer f1 legende - Oct 06 2022

web jun 9 2022 heute vor 54 jahren in der formel 1 mclaren legt den grundstein für eine außergewöhnliche erfolgsgeschichte msm blickt zurück auf den 9 juni

[sternstunden 60 jahre die mercedes formel 1 erfolgsstory by](#) - Feb 27 2022

web sternstunden fr sternstunden 60 jahre die mercedes formel 1 formel 1 geschichte und historisches f1 history mercedes welt sport sternstunden von michael schmidt 2015 gebundene ausgabe sternstunden 60 jahre die mercedes formel 1

[sternstunden 60 jahre die mercedes formel 1 erfolgsstory by](#) - May 13 2023

web sonntag hd sternstunden 60 jahre die mercedes formel 1 die formel 1 in österreich von den flugplatzrennen zum sternstunden von michael schmidt portofrei bei bücher de liste der grand prix sieger der formel 1 sternstunden 60 jahre die mercedes formel 1 mercedes benz feiert sternstunden

sternstunden 60 jahre die mercedes formel 1 erfolgsstory - Jul 15 2023

web sternstunden 60 jahre die mercedes formel 1 erfolgsstory schmidt michael isbn 9783613037809 kostenloser versand für alle bücher mit versand und verkauf duch amazon

[sternstunden 60 jahre die mercedes formel 1 erfolgsstory by](#) - Jun 02 2022

web fr sternstunden 60 jahre die mercedes formel 1 der traum von der traumehe mercedes chef hält tür für paul pietsch verlage in der formel 1 wird auf einmal über den mercedes ausstieg it sternstunden 60 jahre die mercedes formel 1

sternstunden 60 jahre die mercedes formel 1 erfolgsstory by - Mar 11 2023

web mercedes benz feiert sternstunden in der königsklasse des it sternstunden 60 jahre die mercedes formel 1 steigt mercedes aus der formel 1 aus stroll übernimmt sternstunden 60 jahre die mercedes formel 1 sternstunden 60 jahre die mercedes formel 1 mercedes amg f1 team sternstunden von michael schmidt 2015 gebundene ausgabe

sternstunden 60 jahre die mercedes formel 1 erfolgsstory by - Jan 29 2022

web stuttgarter sternstunden motorsporttag sternstunden 60 jahre die mercedes formel 1 sternstunden 60 jahre die mercedes formel 1 die besten formel 1 fahrer top 10 autozeitung de buch sternstunden 60 jahre die mercedes formel 1 best mercedes feiert wm in england das sagen die stars sternstunden 60

sternstunden 60 jahre die mercedes formel 1 erfolgsstory by - Feb 10 2023

web 1 bild de sternstunden 60 jahre die mercedes formel 1 formel 1 geschichte und historisches f1 history mercedes feiert wm in england das sagen die stars formel 1 eback hockenheim 2018 deutsche f1 sternstunden

sternstunden 60 jahre die mercedes formel 1 erfolgsstory by - Aug 16 2023

web fr sternstunden 60 jahre die mercedes formel 1 sternstunden die mercedes formel 1 erfolgsstory in der formel 1 wird auf einmal über den mercedes ausstieg sternstunden 60 jahre die mercedes formel 1 mercedes cheffingenieur die besondere rolle von toto wolff sternstunden 60 jahre die mercedes formel 1 formel 1 geschichte und historisches f1

classic car travel carl benz tour sternstunden auf mercedes - Jul 03 2022

web oct 7 2016 der sommer verabschiedet sich mit goldenen tagen was könnte jetzt schöner sein als vom nächsten kurzurlaub zu träumen magische momente versprechen die stilvollen reisen im neuen katalog classic car travel am steuer eines der insgesamt zehn traumsportwagen mercedes benz sl w 113 und r 107 erleben

sternstunden 60 jahre die mercedes formel 1 erfolgsstory by - Nov 07 2022

web mercedes formel 1 steigt mercedes aus der formel 1 aus stroll übernimmt sternstunden 60 jahre die mercedes formel 1 formel 1 ausstieg mercedes dementiert spekulationen libro sternstunden 60 jahre die mercedes formel 1

sternstunden 60 jahre die mercedes formel 1 erfolgsstory by - Jun 14 2023

web sternstunden 60 jahre die mercedes formel 1 steigt mercedes ende 2020 aus formel 1 2019 q amp a sternstunden 60 jahre die mercedes formel 1 sternstunden von michael schmidt 2015 gebundene ausgabe sternstunden door schmidt michael 125 jahre automobil mercedes

sternstunden 60 jahre die mercedes formel 1 erfol uniport edu - Sep 05 2022

web jul 31 2023 info acquire the sternstunden 60 jahre die mercedes formel 1 erfol member that we meet the expense of here and check out the link you could buy guide sternstunden 60 jahre die mercedes formel 1 erfol or acquire it as soon

sternstunden 60 jahre die mercedes formel 1 erfolgsstory by - May 01 2022

web sternstunden 60 jahre die mercedes formel 1 erfolgsstory by michael schmidt toto wolff exklusiv der sportchef der silberpfeile erklärt wie er das formel 1 programm von mercedes bewertet denn es machen gerüchte über

sternstunden 60 jahre die mercedes formel 1 erfolgsstory by - Dec 28 2021

web mercedes formel 1 sternstunden 60 jahre die mercedes formel 1 sternstunden 60 jahre die mercedes formel 1 der traum

von der traumhe mercedes chef hält tür für formel 1 ausstieg mercedes dementiert spekulationen
[unforgettable edibles our 10 best cannabis recipes the](#) - May 01 2022

web jun 16 2021 type of recipe cannabis desserts who it s great for anybody who has a sweet tooth and loves to get high the perfect occasion when you re heading out the door for a long saturday walk and you need the perfect portable edible you can suck on as you take in the scenery

[diy cannabis infused candy desserts recipes from around](#) - May 13 2023

web apr 13 2021 diy cannabis infused candy desserts recipes from around the world easy to follow recipe guide for the infused candy ice cream muffins cookies brownies so much more unabridged on apple books
[cannabis sweets recipes edibles cannadish](#) - Sep 05 2022

web learn simple hacks for cooking cannabis edibles follow our videos and articles to learn the most effective ways to cook with cannabis access exciting lessons from chefs and cannabis connoisseurs

[diy cannabis infused candy desserts recipes from around](#) - Feb 27 2022

web get the full version of this audiobook audiobookscld.com/b0929bg44t/diy-cannabis-infused-candy-desserts-recipes-from-around-the-world-easy-to

best cannabis recipes 10 edible dessert recipes step by step - Mar 31 2022

web nov 2 2019 when it comes to edible recipes there s no shortage of information on the internet this article brings together our list of the 10 best edible dessert recipes all in one place these delicious edible recipes will knock your socks off
[diy cannabis infused candy desserts recipes from around](#) - Oct 06 2022

web diy cannabis infused candy desserts recipes from around the world easy to follow recipe guide for the infused candy ice cream muffins cookies brownies so much more

6 cannabis candy recipes to satisfy your sweet tooth leafwell - Mar 11 2023

web book an appointment cannabis chocolate bombs these decadent hot chocolate bombs are a cozy way to obtain cannabis relief while indulging your affinity for sweets each bomb is crafted using cannabis sugar and whatever kind of hot cocoa mix you d like complete with mini marshmallows

best homemade weed candies recipe thrillist - Jun 02 2022

web jan 23 2023 in the weed gummies cookbook monica lo shares tips and easy recipes for homemade cannabis candies including these salted mocha caramels

[diy cannabis infused candy desserts recipes from aro](#) - Feb 10 2023

web oct 24 2018 diy cannabis infused candy desserts recipes from around the world easy to follow recipe guide for the infused candy ice cream muffins cookies brownies so much more by jackie sanders goodreads jump to

best weed edible candy sweet recipes of 2020 cannadish - Jun 14 2023

web nov 19 2020 let s start with cannabis hard candies the only ingredients you need to start making cannabis hard candies are sugar water corn syrup and cannabis tincture the first thing you will need to decide on is if you want to make thc hard candy or cbd hard candy then it becomes as easy as taking candy from a baby

[diy cannabis infused candy desserts overdrive](#) - Nov 07 2022

web nov 15 2019 diy cannabis infused candy desserts recipes from around the world easy to follow recipe guide for the infused candy ice cream muffins cookies brownies so much more we all know that there are places where we can t just light one up but more importantly what about that sweet craving we all get from time to time

how to make weed candy the cannabis school - Jan 29 2022

web aug 23 2019 introducing cannabis infused hard candy a simple edible recipe that tastes great and gets the job done this recipe is great for someone wanting to make there own cannabis infused hard candies this is almost the same as making weed lollipops but now it s without the sticks

5 yummy weed desserts that everyone can nail the cannigma - Jul 03 2022

web feb 24 2022 infusing your favorite desserts with cannabis has never been easier whether you re an avid baker or just a cannabis fan who likes dessert these five recipes will hit the spot tips for baking with cannabis

diy cannabis infused candy desserts recipes from around - Aug 04 2022

web oct 25 2018 jackie sanders diy cannabis infused candy desserts recipes from around the world easy to follow recipe guide for thc infused candy ice cream muffins cookies brownies so much more paperback oct 25 2018 by jackie sanders author 1 079 ratings kindle edition

diy cannabis infused candy desserts recipes from around - Jul 15 2023

web easy to follow recipe guide for thc infused candy ice cream muffins cookies brownies so much more we all know that there are places where we can t just light one up but more importantly what about that sweet craving we all get from time to time

diy cannabis infused candy desserts recipes from around - Aug 16 2023

web diy cannabis infused candy desserts recipes from around the world easy to follow recipe guide for thc infused candy ice cream muffins cookies brownies so much more sanders jackie amazon com tr

cannabis infused hard candy easy recipe tips high there - Dec 28 2021

web mar 8 2021 making hard candy can be intimidating we ve boiled it down to a simple recipe that you can use to make infused hard candies check it out

cannabis dessert recipes emily kyle rd - Jan 09 2023

web all of your favorite dessert recipes infused with cannabis including traditional cannabis brownies cannabis chocolate chip cookies gummies and more

chewy homemade cannabis caramels emily kyle rd - Apr 12 2023

web apr 20 2021 ingredient notes 1 cup cannabutter bliss cannabutter ensures perfect dosing 4 cups sugar you can use granulated white sugar or cannabis sugar 2 cups light corn syrup this ingredient is needed for this recipe i do not have a good substitute recommendation at this time

diy cannabis infused candy desserts recipes from around - Dec 08 2022

web diy cannabis infused candy desserts recipes from around the world easy to follow recipe guide for thc infused candy ice cream muffins cookies brownies so much more sanders jackie amazon com au books