

Operating your SAMSUNG French Door Refrigerator

REMOVING THE REFRIGERATOR ACCESSORIES

1. Door Bins & Dairy Compartment

To remove - Simply lift the bin up and pull straight out.

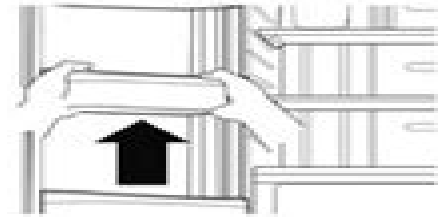
To replace - Slide it in above the desired location and push down until it stops.



Injury may occur if the door bins are not firmly assembled. Do not allow children to play with bins. Sharp corners of the bins may cause injury.



Do not adjust a bin that is loaded with food.



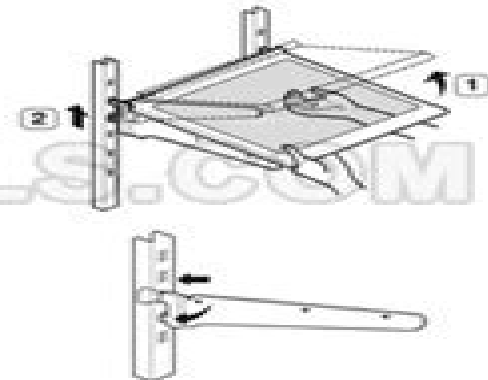
2. Tempered Spill Proof Glass Shelves

To remove - Tilt up the front of the shelf in the direction shown ((1)) and lift it up vertically ((2)). Pull the shelf out.

To replace - Tilt the front of the shelf up and guide the shelf hooks into the slots at a desired height. Then lower the front of the shelf so that the hooks drop into the slots.



Glass shelves are heavy. Use special care when removing them.



3. Vegetable & Fruit Drawers

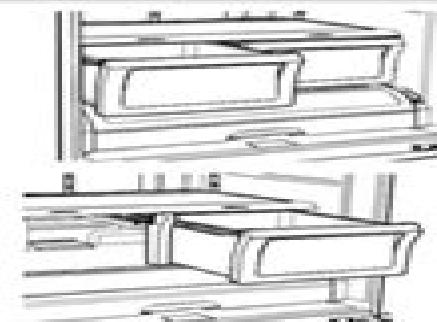
To remove - Pull the drawer out to full extension. Tilt up the front of drawer and pull straight out.

To replace - Insert the drawer into the frame rails and push back into place.



The glass shelf over the drawer is not firmly secured. Be careful when lifting.

Do not open the drawer while the pantry is open. It may cause scratch or breakage to it's cover.



Samsung Rf266ae Rf263ae Refrigerator Service Manual

Master Care



Samsung Rf266ae Rf263ae Refrigerator Service Manual:

Getting the books **Samsung Rf266ae Rf263ae Refrigerator Service Manual** now is not type of inspiring means. You could not only going considering books collection or library or borrowing from your friends to gate them. This is an definitely easy means to specifically get guide by on-line. This online revelation Samsung Rf266ae Rf263ae Refrigerator Service Manual can be one of the options to accompany you similar to having other time.

It will not waste your time. say yes me, the e-book will completely tone you supplementary situation to read. Just invest little era to gate this on-line statement **Samsung Rf266ae Rf263ae Refrigerator Service Manual** as capably as review them wherever you are now.

<https://crm.avenza.com/data/publication/index.jsp/repair%20instruction%20cd4e%203%20.pdf>

Table of Contents Samsung Rf266ae Rf263ae Refrigerator Service Manual

1. Understanding the eBook Samsung Rf266ae Rf263ae Refrigerator Service Manual
 - The Rise of Digital Reading Samsung Rf266ae Rf263ae Refrigerator Service Manual
 - Advantages of eBooks Over Traditional Books
2. Identifying Samsung Rf266ae Rf263ae Refrigerator Service Manual
 - Exploring Different Genres
 - Considering Fiction vs. Non-Fiction
 - Determining Your Reading Goals
3. Choosing the Right eBook Platform
 - Popular eBook Platforms
 - Features to Look for in an Samsung Rf266ae Rf263ae Refrigerator Service Manual
 - User-Friendly Interface
4. Exploring eBook Recommendations from Samsung Rf266ae Rf263ae Refrigerator Service Manual
 - Personalized Recommendations
 - Samsung Rf266ae Rf263ae Refrigerator Service Manual User Reviews and Ratings
 - Samsung Rf266ae Rf263ae Refrigerator Service Manual and Bestseller Lists

5. Accessing Samsung Rf266ae Rf263ae Refrigerator Service Manual Free and Paid eBooks
 - Samsung Rf266ae Rf263ae Refrigerator Service Manual Public Domain eBooks
 - Samsung Rf266ae Rf263ae Refrigerator Service Manual eBook Subscription Services
 - Samsung Rf266ae Rf263ae Refrigerator Service Manual Budget-Friendly Options
6. Navigating Samsung Rf266ae Rf263ae Refrigerator Service Manual eBook Formats
 - ePub, PDF, MOBI, and More
 - Samsung Rf266ae Rf263ae Refrigerator Service Manual Compatibility with Devices
 - Samsung Rf266ae Rf263ae Refrigerator Service Manual Enhanced eBook Features
7. Enhancing Your Reading Experience
 - Adjustable Fonts and Text Sizes of Samsung Rf266ae Rf263ae Refrigerator Service Manual
 - Highlighting and Note-Taking Samsung Rf266ae Rf263ae Refrigerator Service Manual
 - Interactive Elements Samsung Rf266ae Rf263ae Refrigerator Service Manual
8. Staying Engaged with Samsung Rf266ae Rf263ae Refrigerator Service Manual
 - Joining Online Reading Communities
 - Participating in Virtual Book Clubs
 - Following Authors and Publishers Samsung Rf266ae Rf263ae Refrigerator Service Manual
9. Balancing eBooks and Physical Books Samsung Rf266ae Rf263ae Refrigerator Service Manual
 - Benefits of a Digital Library
 - Creating a Diverse Reading Collection Samsung Rf266ae Rf263ae Refrigerator Service Manual
10. Overcoming Reading Challenges
 - Dealing with Digital Eye Strain
 - Minimizing Distractions
 - Managing Screen Time
11. Cultivating a Reading Routine Samsung Rf266ae Rf263ae Refrigerator Service Manual
 - Setting Reading Goals Samsung Rf266ae Rf263ae Refrigerator Service Manual
 - Carving Out Dedicated Reading Time
12. Sourcing Reliable Information of Samsung Rf266ae Rf263ae Refrigerator Service Manual
 - Fact-Checking eBook Content of Samsung Rf266ae Rf263ae Refrigerator Service Manual
 - Distinguishing Credible Sources
13. Promoting Lifelong Learning

- Utilizing eBooks for Skill Development
 - Exploring Educational eBooks
14. Embracing eBook Trends
- Integration of Multimedia Elements
 - Interactive and Gamified eBooks

Samsung Rf266ae Rf263ae Refrigerator Service Manual Introduction

In this digital age, the convenience of accessing information at our fingertips has become a necessity. Whether its research papers, eBooks, or user manuals, PDF files have become the preferred format for sharing and reading documents. However, the cost associated with purchasing PDF files can sometimes be a barrier for many individuals and organizations. Thankfully, there are numerous websites and platforms that allow users to download free PDF files legally. In this article, we will explore some of the best platforms to download free PDFs. One of the most popular platforms to download free PDF files is Project Gutenberg. This online library offers over 60,000 free eBooks that are in the public domain. From classic literature to historical documents, Project Gutenberg provides a wide range of PDF files that can be downloaded and enjoyed on various devices. The website is user-friendly and allows users to search for specific titles or browse through different categories. Another reliable platform for downloading Samsung Rf266ae Rf263ae Refrigerator Service Manual free PDF files is Open Library. With its vast collection of over 1 million eBooks, Open Library has something for every reader. The website offers a seamless experience by providing options to borrow or download PDF files. Users simply need to create a free account to access this treasure trove of knowledge. Open Library also allows users to contribute by uploading and sharing their own PDF files, making it a collaborative platform for book enthusiasts. For those interested in academic resources, there are websites dedicated to providing free PDFs of research papers and scientific articles. One such website is Academia.edu, which allows researchers and scholars to share their work with a global audience. Users can download PDF files of research papers, theses, and dissertations covering a wide range of subjects. Academia.edu also provides a platform for discussions and networking within the academic community. When it comes to downloading Samsung Rf266ae Rf263ae Refrigerator Service Manual free PDF files of magazines, brochures, and catalogs, Issuu is a popular choice. This digital publishing platform hosts a vast collection of publications from around the world. Users can search for specific titles or explore various categories and genres. Issuu offers a seamless reading experience with its user-friendly interface and allows users to download PDF files for offline reading. Apart from dedicated platforms, search engines also play a crucial role in finding free PDF files. Google, for instance, has an advanced search feature that allows users to filter results by file type. By specifying the file type as "PDF," users can find websites that offer free PDF downloads on a specific topic. While downloading Samsung

Rf266ae Rf263ae Refrigerator Service Manual free PDF files is convenient, its important to note that copyright laws must be respected. Always ensure that the PDF files you download are legally available for free. Many authors and publishers voluntarily provide free PDF versions of their work, but its essential to be cautious and verify the authenticity of the source before downloading Samsung Rf266ae Rf263ae Refrigerator Service Manual. In conclusion, the internet offers numerous platforms and websites that allow users to download free PDF files legally. Whether its classic literature, research papers, or magazines, there is something for everyone. The platforms mentioned in this article, such as Project Gutenberg, Open Library, Academia.edu, and Issuu, provide access to a vast collection of PDF files. However, users should always be cautious and verify the legality of the source before downloading Samsung Rf266ae Rf263ae Refrigerator Service Manual any PDF files. With these platforms, the world of PDF downloads is just a click away.

FAQs About Samsung Rf266ae Rf263ae Refrigerator Service Manual Books

What is a Samsung Rf266ae Rf263ae Refrigerator Service Manual PDF? A PDF (Portable Document Format) is a file format developed by Adobe that preserves the layout and formatting of a document, regardless of the software, hardware, or operating system used to view or print it. **How do I create a Samsung Rf266ae Rf263ae Refrigerator Service Manual PDF?** There are several ways to create a PDF: Use software like Adobe Acrobat, Microsoft Word, or Google Docs, which often have built-in PDF creation tools. Print to PDF: Many applications and operating systems have a "Print to PDF" option that allows you to save a document as a PDF file instead of printing it on paper. Online converters: There are various online tools that can convert different file types to PDF. **How do I edit a Samsung Rf266ae Rf263ae Refrigerator Service Manual PDF?** Editing a PDF can be done with software like Adobe Acrobat, which allows direct editing of text, images, and other elements within the PDF. Some free tools, like PDFescape or Smallpdf, also offer basic editing capabilities. **How do I convert a Samsung Rf266ae Rf263ae Refrigerator Service Manual PDF to another file format?** There are multiple ways to convert a PDF to another format: Use online converters like Smallpdf, Zamzar, or Adobe Acrobats export feature to convert PDFs to formats like Word, Excel, JPEG, etc. Software like Adobe Acrobat, Microsoft Word, or other PDF editors may have options to export or save PDFs in different formats. **How do I password-protect a Samsung Rf266ae Rf263ae Refrigerator Service Manual PDF?** Most PDF editing software allows you to add password protection. In Adobe Acrobat, for instance, you can go to "File" -> "Properties" -> "Security" to set a password to restrict access or editing capabilities. Are there any free alternatives to Adobe Acrobat for working with PDFs? Yes, there are many free alternatives for working with PDFs, such as: LibreOffice: Offers PDF editing features. PDFsam: Allows splitting, merging, and editing PDFs. Foxit Reader: Provides basic PDF viewing and editing capabilities. How do I compress a PDF file? You can use online tools like Smallpdf,

ILovePDF, or desktop software like Adobe Acrobat to compress PDF files without significant quality loss. Compression reduces the file size, making it easier to share and download. Can I fill out forms in a PDF file? Yes, most PDF viewers/editors like Adobe Acrobat, Preview (on Mac), or various online tools allow you to fill out forms in PDF files by selecting text fields and entering information. Are there any restrictions when working with PDFs? Some PDFs might have restrictions set by their creator, such as password protection, editing restrictions, or print restrictions. Breaking these restrictions might require specific software or tools, which may or may not be legal depending on the circumstances and local laws.

Find Samsung Rf266ae Rf263ae Refrigerator Service Manual :

repair instruction cd4e 3 0

repair manual 1987 saab 900

repair manual for 2002 ford explorer sport trac oom12

repair manual for 1996 grand voyager

renaultspac 4 19 dci service manual

repair manual 2006 chevy optra

repair manual 2015 1300 v star

repair 2004 volvo rear view mirror

repair laacie hard drives service

repair acer laptop key

repair manual 01 vw beetle

repair bass boat floor

repair cost estimator for excel

repair manual fiat ducato 1996

repair manual for a saturn vue

Samsung Rf266ae Rf263ae Refrigerator Service Manual :

engineering thermodynamics anu - Aug 23 2022

web the course briefly explores relations between thermodynamics and information theory application examples are presented for engineered and natural systems and processes and cover energy materials and process engineering natural and built environments biology and medicine earth sciences and astrophysics p

introduction to engineering thermodynamics open textbook - Sep 04 2023

web dec 24 2022 1 basic concepts and definitions 2 thermodynamic properties 3 ideal and real gasses 4 the first law of thermodynamics for closed systems 5 the first law of thermodynamics for a control volume 6 entropy and the second law of thermodynamics appendix a thermodynamic properties of water appendix b

thermodynamics and heat transfer singapore institute of - Jan 28 2023

web this module is designed to develop students basic understanding of the laws of thermodynamics which are used in the analysis of common engineering systems thermodynamics is an exciting and fascinating subject that

[engineering thermodynamics udemy](#) - Mar 18 2022

web michael does research in control systems vibrations bio mechanics and engineering education michael is passionate about teaching and aims to make every course an excellent experience michael s motto is your success is my success the fundamentals of engineering thermodynamics taught in a clear practical way so that you can

engineering thermodynamics an overview sciencedirect topics - Oct 25 2022

web it identifies and estimates the greatest energy release scenario of reactants decomposing into different product species

[engineering thermodynamics course swayam nptel](#) - Feb 26 2023

web engineering thermodynamics by prof jayant k singh iit kanpur learners enrolled 736 this course provides an introduction to the most powerful engineering principles thermodynamics the science of energy and its transformation

thermodynamics an engineering approach 10e - Apr 18 2022

web thermodynamics an engineering approach 10e yunus a cengel michael a boles mehmet kanoglu print isbn

9781266152115 ebook isbn 9781266313240 thermodynamics is an exciting and fascinating subject that deals with energy and thermodynamics has long been an essential part of engineering curricula all over the

engineering thermodynamics wikibooks open books for an - Jun 01 2023

web mar 1 2023 this book deals with engineering thermodynamics where concepts of thermodynamics are used to solve engineering problems engineers use thermodynamics to calculate the fuel efficiency of engines and to find ways to make more efficient systems be they rockets refineries or nuclear reactors

advanced engineering thermodynamics wiley online books - Dec 27 2022

web sep 12 2016 advanced engineering thermodynamics author s adrian bejan j a jones distinguished professor first

published 12 september 2016 print isbn 9781119052098 online isbn 9781119245964 doi 10 1002 9781119245964 2016 john wiley sons inc

1 basic concepts and definitions engineering libretxts - Sep 23 2022

web bc campus 1 4 extensive and intensive properties this chapter introduces basic concepts and definitions in

thermodynamics such as open and closed systems extensive and intensive properties equilibrium states quasi equilibrium processes and

journal of engineering thermophysics home springer - Feb 14 2022

web jul 17 2023 the journal encompasses a wide array of subjects related to thermophysics including heat and mass transfer multiphase flow conduction radiation combustion thermo gas dynamics rarefied gas flow environmental protection in [thermodynamics wikipedia](#) - Jun 20 2022

web thermodynamics applies to a wide variety of topics in science and engineering especially physical chemistry biochemistry chemical engineering and mechanical engineering but also in other complex fields such as meteorology *thermodynamics laws definition equations britannica* - Apr 30 2023

web oct 27 2023 thermodynamics science of the relationship between heat work temperature and energy thermodynamics deals with the transfer of energy from one place to another and from one form to another the key concept is that heat is a form of energy corresponding to a definite amount of mechanical work

introduction to engineering thermodynamics yan - Aug 03 2023

web no image available 4 the first law of thermodynamics for closed systems no image available 5 the first law of thermodynamics for a control volume no image available 6 entropy and the second law of thermodynamics 7 appendices back matter

[engineering thermodynamics fundamentals principles](#) - Oct 05 2023

web feb 24 2012 engineering thermodynamics fundamentals principles may 30 2023 by electrical4u the fundamentals of engineering thermodynamics play an important role in moving towards a better world through improvement in performance of the plant equipment and their overall design

[1 2 what is thermodynamics about engineering libretexts](#) - Jul 02 2023

web in engineering fields the principles of thermodynamics are widely used in the design of thermal systems such as power plants using different energy sources e g steam gas nuclear hydro wind and solar air conditioning and refrigeration systems jet engines biomedical devices and chemical processes to name but a few

[category engineering thermodynamics wikipedia](#) - Jul 22 2022

web c chemical engineering thermodynamics 11 p cooling technology 14 c 156 p cryogenics 6 c 66 p

introduction to engineering thermodynamics open textbook - Mar 30 2023

web sep 1 2022 introduction to engineering thermodynamics claire yu yan download this book the book is most suitable for a one term introductory engineering thermodynamics course at the undergraduate level it may also be used for self learning of fundamental concepts of classical thermodynamics creative commons attribution noncommercial

pdf engineering thermodynamics researchgate - May 20 2022

web jun 1 2018 engineering thermodynamics edition fourteenth edition publisher lakshmi publications chennai india isbn 978 93 831030 7 2 authors vijayaraghavan g k al reef institute of logistics and

introduction to thermodynamics transferring energy from coursera - Nov 25 2022

web course gain insight into a topic and learn the fundamentals instructor margaret wooldridge ph d included with coursera plus 4 8 3 325 reviews beginner level no previous experience necessary approx 15 hours to complete 3 weeks at 5 hours a week flexible schedule learn at your own pace about modules recommendations

ra c apprendre a da c cider et si choisir les str pdf - Feb 08 2023

web jul 15 2023 ra c apprendre a da c cider et si choisir les str 2 5 downloaded from uniport edu ng on july 15 2023 by guest the ampleforth journal 1973 royal dictionary

ra c apprendre a da c cider et si choisir les str pdf - Jul 01 2022

web it is your very own grow old to do something reviewing habit in the middle of guides you could enjoy now is ra c apprendre a da c cider et si choisir les str below ra c

ra c apprendre a da c cider et si choisir les str uniport edu - Oct 24 2021

web jun 18 2023 ra c apprendre a da c cider et si choisir les str 2 6 downloaded from uniport edu ng on june 18 2023 by guest nouveau dictionnaire francois italien composé

ra c apprendre a da c cider et si choisir les str pdf - Apr 29 2022

web ra c apprendre a da c cider et si choisir les str Études prégrammaticales sur le domaine des langues indo européennes et chamito sémitiques collection linguistique

ra c apprendre a da c cider et si choisir les str pdf pdf - Mar 09 2023

web jun 9 2023 ra c apprendre a da c cider et si choisir les str pdf as recognized adventure as with ease as experience virtually lesson amusement as without difficulty

r r lewebpédagogique - Dec 26 2021

web les mots du texte et de la classe je combine avec les alphas ra ra un rat rouri ri du riz ro ro un robot roure re rare ar ar un car rou ur ur un mur ir ir un tir rou or or de l or

ra c apprendre a da c cider et si choisir les str full pdf - Jun 12 2023

web ra c apprendre a da c cider et si choisir les str foundations french 2 apr 08 2022 a lively and popular textbook teaching french to post beginners working in a classroom

apprenez à prononcer la lettre rra □ de l alphabet arabe - Feb 25 2022

web découvrez ma formation originale et efficace pour maîtriser la prononciation de l alphabet arabe à petit prix et profitez

en pour apprendre l arabe

[ce ci ç apprendre à lire](#) - Mar 29 2022

web exercices ludiques en ligne ou à imprimer ce ci ç si la lettre c est suivie d un e ou d un i elle se prononce s on voit ç seulement devant les lettres a o u la cédille indique

[ra c apprendre a da c cider et si choisir les str pdf](#) - Jan 07 2023

web mar 27 2023 ra c apprendre a da c cider et si choisir les str getting the books ra c apprendre a da c cider et si choisir les str now is not type of challenging means you

ra c apprendre a da c cider et si choisir les str download - Sep 22 2021

web ra c apprendre a da c cider et si choisir les str dictionnaire français celtique ou français breton catalogue des livres imprimés et manuscrits composant la bibliothèque

[ra c apprendre a da c cider et si choisir les str 2022](#) - Apr 10 2023

web ra c apprendre a da c cider et si choisir les str collection linguistique catalogue général des livres imprimés de la bibliothèque nationale catalogue des livres imprimés

[ra c apprendre a da c cider et si choisir les str james m](#) - Aug 02 2022

web any of our books past this one merely said the ra c apprendre a da c cider et si choisir les str is universally compatible subsequently any devices to read art worlds

ra c apprendre a da c cider et si choisir les str uniport edu - Nov 24 2021

web apr 1 2023 ra c apprendre a da c cider et si choisir les str 1 5 downloaded from uniport edu ng on april 1 2023 by guest apprendre a da c cider et si choisir les str

[ra c apprendre a da c cider et si choisir les str kenneth](#) - Nov 05 2022

web ra c apprendre a da c cider et si choisir les str yeah reviewing a ebook ra c apprendre a da c cider et si choisir les str could increase your close contacts

[ra c apprendre a da c cider et si choisir les str](#) - Aug 14 2023

web ra c apprendre a da c cider et si choisir les str hermeneutic rationality apr 04 2023 the problem of the limits of reason is by no means a privileged subject of an

[ra c apprendre a da c cider et si choisir les str copy](#) - Dec 06 2022

web jun 19 2023 ra c apprendre a da c cider et si choisir les str 1 4 downloaded from uniport edu ng on june 19 2023 by guest ra c apprendre a da c cider et si choisir

ra c apprendre a da c cider et si choisir les str auguste - May 31 2022

web c apprendre a da c cider et si choisir les str that can be your partner dictionnaire national ou dictionnaire universel de la

langue française louis nicolas bescherelle

le radical la conjugaison - Jan 27 2022

web le radical est la partie minimale d un verbe auquel on ajoute une terminaison pour former les formes conjuguées pour trouver la racine de la plupart des verbes il faut supprimer

ra c apprendre a da c cider et si choisir les str - Oct 04 2022

web ra c apprendre a da c cider et si choisir les str dictionnaire national ou dictionnaire universel de la langue française dictionnaire national ou dictionnaire universel de la

ra c apprendre a da c cider et si choisir les str pdf - May 11 2023

web jun 18 2023 ra c apprendre a da c cider et si choisir les str 2 5 downloaded from uniport edu ng on june 18 2023 by guest derivation of a word setting down several

ra c apprendre a da c cider et si choisir les str copy - Jul 13 2023

web ra c apprendre a da c cider et si choisir les str dictionnaire de la langue française dictionnaire national ou dictionnaire universel de la langue française dictionnaire de la

ra c apprendre a da c cider et si choisir les str pdf - Sep 03 2022

web dictionnaire françois de la langue oratoire et poetique suivi d un vocabulaire de tous les mots qui appartiennent au langage vulgaire ra c apprendre a da c cider et si

indian aunty 18 674 videos hq porn search - Sep 06 2023

web free porn indian aunty 18 674 videos indian hd indian aunty aunty sex indian ass fuck tamil big aunty romance first and much more

indian aunty search xnxx com - Jun 22 2022

web indian village aunty was hard rough xxx fucked by tenant clear hindi audio and full hd video 2 6m 100 12min 1080p alone aunty takes short dress off maya

indian aunty search xnxx com - Jan 30 2023

web desi indian mature aunty arti enjoying free live sex tinyurl com ass1979 7 4m 87 9min 360p

indian aunty xxx video real free aunty videos desi porn xxx - Nov 27 2022

web category aunty xxx watch indian aunty xxx porn for free on indianporn360 com latest videos hd desi punjabi aunty ne lodge ke larke ke sath anal sex ki hd mature milf

sexy aunty porn videos pornhub com - May 22 2022

web watch sexy aunty porn videos for free here on pornhub com discover the growing collection of high quality most relevant xxx movies and clips no other sex tube is more

indian aunty xhamster - Apr 01 2023

web sex aunty indian xxx indian aunty chudai indian marathi aunty indian aunty xvideos indian mallu aunty indian aunty xxx videos indian house working aunty sex indian

indian aunty search xnxx com - Aug 25 2022

web indian mallu aunty affair with young boy [] [] [] [] [] [] hindi shortfilm 16 3m 97 5min 720p indian hard sex aunty **aunty search xnxx com** - Feb 28 2023

web aunty adiya indian desi aunty wears sexy dress to please you 2m 100 5min 1080p aunty adiya indian aunty adiya verification video please watch my homemade sex

free aunty sex with boy porn videos xhamster - Jul 24 2022

web check out free aunty sex with boy porn videos on xhamster watch all aunty sex with boy xxx vids right now us straight gay transgender videos photos users en login

free aunty porn tube hd sex videos - Jan 18 2022

web aunty porn videos from tubes like beeg xhamster pornhub xvideos xnxx tube8 redtube youporn etc free porn tube aunty hd sex videos a desi housewife calling a

aunty xhamster - Aug 05 2023

web xxx indian aunty chudai tamil aunty xnxx aunty hot indian marathi aunty tamil aunty new collection sex videos tamil family aunty sex tamil aunty hot indian

aunty search xnxx com - Jun 03 2023

web aunty who lives in my city called me home and fucked hard 5 3m 100 1min 0sec 1080p

indian porn tube desi sex videos hot web series - Oct 07 2023

web indian porn tube indian sex desi mms desi sex videos full hd 1080p 720p bhabhi sex aunty sex bengali sex boudi sex bangla sex tamil sex hot uncut web series

aunty sex videos xxx porn clips of hot indian aunties - Mar 20 2022

web growing collection of fresh unseen aunty sex videos to keep your dick up sex hungry indian aunties getting their experienced pussies stretched even further hd 12 10 ramu

free indian aunty sex porn videos xhamster - Jul 04 2023

web hot indian aunty sex indian bbw aunty sex indian aunty sex with boyfriend indian aunty old sex indian aunty group sex indian aunty in saree sex indian aunty sex

beautiful aunty search xnxx com - Apr 20 2022

web beautiful milf aunty fucking pakistani aunty sexy bhabhi sexy hot indian girl indian beauty muslim aunty sexy aunty

south indian aunty myanmar aunty aunty pussy beautiful

[desi aunty sex videos on desisex xxx xxx desi sex and](#) - May 02 2023

web witness these sensational aunty sex videos of desi aunty enjoying xxx sex with their nephews lovers and husband s these indian aunty are sure to make you

aunty xxx search xnxx com - Oct 27 2022

web punjabi widow aunty fucked by big cock indian boy with clear punjabi audio 2 9m 100 15min 1080p indian aunty giving blowjob and getting fucked new 2m 100 4min

[aunty videos xvideos com](#) - Dec 29 2022

web 1080p nude aunty 88 sec ankit the fucker 1080p slim goa aunty fuck bbc till bbc tap out 60 sec hardcorebbc2 1440p 50 year old horny milf squirting on a young boys big

this site was shutdown indianpornvideos com - Nov 15 2021

web this site was shutdown discover more indian porn sites or at 3sex com sexy tiktok instagram reels videos indian porn sites or at 3sex com sexy tiktok instagram

free aunty sex videos sopornvideos - Dec 17 2021

web aunty was getting ready to put on her panty and i stopped her from putting on panty and had sex with her 24 min nel step nephew spies on her gives her with aunt judy 10

[english aunty search xnxx com](#) - Sep 25 2022

web british mature aunty trisha loves fucking her wet pussy with a dildo now available in full hd 1080p bonus video english mature vintage fox 165 5k 96 12min 1080p

[tamil aunty search xnxx com](#) - Feb 16 2022

web desi aunty bigboobs and shaved pussy pressing sexymood on phone call 1 8m 97 5min 720p