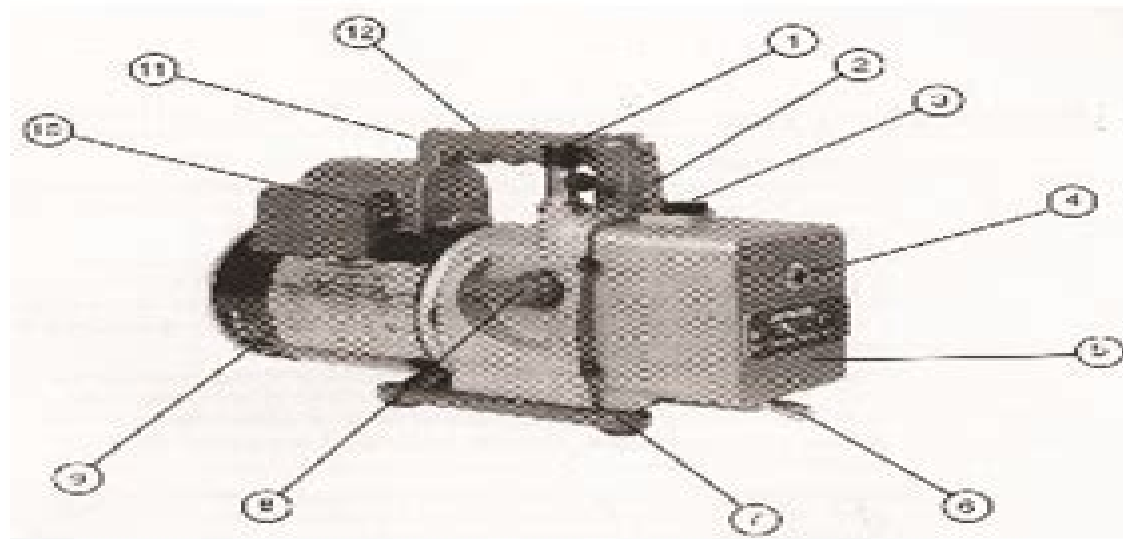


Pump Components



1. Intake Fitting (upper fitting is $\frac{1}{2}$ " Acme, side fitting is $\frac{1}{4}$ " SAE)
2. Gas Ballast Valve (located beside handle base)
3. Oil Fill Port
4. Sight Glass
5. Die-Cast Aluminum Housing
6. Oil Drain
7. Molded Polycarbonate Base
8. Iso-Valve™— Isolates the pump from the system
9. Powerful, High Torque Motor
10. Power Switch
11. Through-The-Handle Exhaust
12. Sure-Grip Handle

For use on A/C-R systems using CFCs, HCFCs and HFCs in conjunction with mineral oil, ester oil, alkylbenzene oil and PAG oil as lubricants. Not for use with ammonia or lithium bromide systems. Not for use with flammable refrigerants.

Robinair Ac 500 Pro Manual Service

Mitchell Manuals, inc



Robinair Ac 500 Pro Manual Service:

Automotive Air Conditioning Service Manual, 1963-70 National Automotive Service,1970* Air Conditioning Service Manual Mitchell Manuals, inc,196? **Automotive Air Conditioning Basic Service Training Manual** Mitchell Manuals, inc,1983 **Automotive Air Conditioning and Heating Service Manual, 1966-74** Mitchell Manuals, inc,1977 **Automotive Air Conditioning Service Manual, 1963-70** National Automotive Service,1970 Automotive Air Conditioning Basic Service Training Manual ,1982 *1986 Edition Automotive Air Conditioning* Mitchell Information Services,Mitchell Manuals, inc,1986 Automotive Air Conditioning and Heating Service Manual: Domestic cars, 1977-81 Mitchell Manuals, inc,1981 **Automotive Air Conditioning Service Manual, 1963-1970** Mitchell Manuals, inc,1970 **Air Conditioning Service Manual** ,1992 Automotive Air Conditioning and Heating Service Manual, 1980 Book Supplement Mitchell Manuals, inc,1980 *Air Conditioning & Heating Service & Repair, Domestic Cars & Trucks* Mitchell Manuals, inc, **Automotive Air Conditioning Service Manual** Draf Tool Co,1976 **Automotive Air Conditioning Basic Service Manual** Mitchell Manuals, inc,1987 **Automotive Air Conditioning and Heating Service Manual, 1979 Book Supplement** Mitchell Manuals, inc,1979 **Auto Air-conditioning Service Manual** Draf Tool Co., Inc,1973 *Service Manual* ,1977 **Automotive Air Conditioning** ,1974 **Air Conditioning Service Manual** Intertec Publishing Corporation,1985 **Air Conditioning & Heating Service & Repair, Domestic Cars, Trucks & Vans** Mitchell Information Services,Mitchell Manuals, inc,1982

Thank you for reading **Robinair Ac 500 Pro Manual Service**. As you may know, people have look hundreds times for their favorite readings like this Robinair Ac 500 Pro Manual Service, but end up in harmful downloads. Rather than reading a good book with a cup of tea in the afternoon, instead they juggled with some malicious bugs inside their computer.

Robinair Ac 500 Pro Manual Service is available in our book collection an online access to it is set as public so you can get it instantly.

Our book servers saves in multiple countries, allowing you to get the most less latency time to download any of our books like this one.

Merely said, the Robinair Ac 500 Pro Manual Service is universally compatible with any devices to read

<https://crm.avenza.com/results/Resources/Documents/Nov%20Dec%20Economics%20Paper%202%20Grade%2010%202013.pdf>

Table of Contents Robinair Ac 500 Pro Manual Service

1. Understanding the eBook Robinair Ac 500 Pro Manual Service
 - The Rise of Digital Reading Robinair Ac 500 Pro Manual Service
 - Advantages of eBooks Over Traditional Books
2. Identifying Robinair Ac 500 Pro Manual Service
 - Exploring Different Genres
 - Considering Fiction vs. Non-Fiction
 - Determining Your Reading Goals
3. Choosing the Right eBook Platform
 - Popular eBook Platforms
 - Features to Look for in an Robinair Ac 500 Pro Manual Service
 - User-Friendly Interface
4. Exploring eBook Recommendations from Robinair Ac 500 Pro Manual Service

- Personalized Recommendations
 - Robinair Ac 500 Pro Manual Service User Reviews and Ratings
 - Robinair Ac 500 Pro Manual Service and Bestseller Lists
5. Accessing Robinair Ac 500 Pro Manual Service Free and Paid eBooks
 - Robinair Ac 500 Pro Manual Service Public Domain eBooks
 - Robinair Ac 500 Pro Manual Service eBook Subscription Services
 - Robinair Ac 500 Pro Manual Service Budget-Friendly Options
 6. Navigating Robinair Ac 500 Pro Manual Service eBook Formats
 - ePub, PDF, MOBI, and More
 - Robinair Ac 500 Pro Manual Service Compatibility with Devices
 - Robinair Ac 500 Pro Manual Service Enhanced eBook Features
 7. Enhancing Your Reading Experience
 - Adjustable Fonts and Text Sizes of Robinair Ac 500 Pro Manual Service
 - Highlighting and Note-Taking Robinair Ac 500 Pro Manual Service
 - Interactive Elements Robinair Ac 500 Pro Manual Service
 8. Staying Engaged with Robinair Ac 500 Pro Manual Service
 - Joining Online Reading Communities
 - Participating in Virtual Book Clubs
 - Following Authors and Publishers Robinair Ac 500 Pro Manual Service
 9. Balancing eBooks and Physical Books Robinair Ac 500 Pro Manual Service
 - Benefits of a Digital Library
 - Creating a Diverse Reading Collection Robinair Ac 500 Pro Manual Service
 10. Overcoming Reading Challenges
 - Dealing with Digital Eye Strain
 - Minimizing Distractions
 - Managing Screen Time
 11. Cultivating a Reading Routine Robinair Ac 500 Pro Manual Service
 - Setting Reading Goals Robinair Ac 500 Pro Manual Service
 - Carving Out Dedicated Reading Time
 12. Sourcing Reliable Information of Robinair Ac 500 Pro Manual Service

- Fact-Checking eBook Content of Robinair Ac 500 Pro Manual Service
 - Distinguishing Credible Sources
13. Promoting Lifelong Learning
- Utilizing eBooks for Skill Development
 - Exploring Educational eBooks
14. Embracing eBook Trends
- Integration of Multimedia Elements
 - Interactive and Gamified eBooks

Robinair Ac 500 Pro Manual Service Introduction

In this digital age, the convenience of accessing information at our fingertips has become a necessity. Whether its research papers, eBooks, or user manuals, PDF files have become the preferred format for sharing and reading documents. However, the cost associated with purchasing PDF files can sometimes be a barrier for many individuals and organizations. Thankfully, there are numerous websites and platforms that allow users to download free PDF files legally. In this article, we will explore some of the best platforms to download free PDFs. One of the most popular platforms to download free PDF files is Project Gutenberg. This online library offers over 60,000 free eBooks that are in the public domain. From classic literature to historical documents, Project Gutenberg provides a wide range of PDF files that can be downloaded and enjoyed on various devices. The website is user-friendly and allows users to search for specific titles or browse through different categories. Another reliable platform for downloading Robinair Ac 500 Pro Manual Service free PDF files is Open Library. With its vast collection of over 1 million eBooks, Open Library has something for every reader. The website offers a seamless experience by providing options to borrow or download PDF files. Users simply need to create a free account to access this treasure trove of knowledge. Open Library also allows users to contribute by uploading and sharing their own PDF files, making it a collaborative platform for book enthusiasts. For those interested in academic resources, there are websites dedicated to providing free PDFs of research papers and scientific articles. One such website is Academia.edu, which allows researchers and scholars to share their work with a global audience. Users can download PDF files of research papers, theses, and dissertations covering a wide range of subjects. Academia.edu also provides a platform for discussions and networking within the academic community. When it comes to downloading Robinair Ac 500 Pro Manual Service free PDF files of magazines, brochures, and catalogs, Issuu is a popular choice. This digital publishing platform hosts a vast collection of publications from around the world. Users can search for specific titles or explore various categories and genres. Issuu offers a seamless reading experience with its user-friendly interface and allows users to download PDF files for offline reading. Apart from

dedicated platforms, search engines also play a crucial role in finding free PDF files. Google, for instance, has an advanced search feature that allows users to filter results by file type. By specifying the file type as "PDF," users can find websites that offer free PDF downloads on a specific topic. While downloading Robinair Ac 500 Pro Manual Service free PDF files is convenient, its important to note that copyright laws must be respected. Always ensure that the PDF files you download are legally available for free. Many authors and publishers voluntarily provide free PDF versions of their work, but its essential to be cautious and verify the authenticity of the source before downloading Robinair Ac 500 Pro Manual Service. In conclusion, the internet offers numerous platforms and websites that allow users to download free PDF files legally. Whether its classic literature, research papers, or magazines, there is something for everyone. The platforms mentioned in this article, such as Project Gutenberg, Open Library, Academia.edu, and Issuu, provide access to a vast collection of PDF files. However, users should always be cautious and verify the legality of the source before downloading Robinair Ac 500 Pro Manual Service any PDF files. With these platforms, the world of PDF downloads is just a click away.

FAQs About Robinair Ac 500 Pro Manual Service Books

How do I know which eBook platform is the best for me? Finding the best eBook platform depends on your reading preferences and device compatibility. Research different platforms, read user reviews, and explore their features before making a choice. Are free eBooks of good quality? Yes, many reputable platforms offer high-quality free eBooks, including classics and public domain works. However, make sure to verify the source to ensure the eBook credibility. Can I read eBooks without an eReader? Absolutely! Most eBook platforms offer webbased readers or mobile apps that allow you to read eBooks on your computer, tablet, or smartphone. How do I avoid digital eye strain while reading eBooks? To prevent digital eye strain, take regular breaks, adjust the font size and background color, and ensure proper lighting while reading eBooks. What the advantage of interactive eBooks? Interactive eBooks incorporate multimedia elements, quizzes, and activities, enhancing the reader engagement and providing a more immersive learning experience. Robinair Ac 500 Pro Manual Service is one of the best book in our library for free trial. We provide copy of Robinair Ac 500 Pro Manual Service in digital format, so the resources that you find are reliable. There are also many Ebooks of related with Robinair Ac 500 Pro Manual Service. Where to download Robinair Ac 500 Pro Manual Service online for free? Are you looking for Robinair Ac 500 Pro Manual Service PDF? This is definitely going to save you time and cash in something you should think about. If you trying to find then search around for online. Without a doubt there are numerous these available and many of them have the freedom. However without doubt you receive whatever you purchase. An alternate way to get ideas is always to check another Robinair Ac 500 Pro Manual Service. This method for see exactly what may be included and adopt these ideas to your book. This site will

almost certainly help you save time and effort, money and stress. If you are looking for free books then you really should consider finding to assist you try this. Several of Robinair Ac 500 Pro Manual Service are for sale to free while some are payable. If you arent sure if the books you would like to download works with for usage along with your computer, it is possible to download free trials. The free guides make it easy for someone to free access online library for download books to your device. You can get free download on free trial for lots of books categories. Our library is the biggest of these that have literally hundreds of thousands of different products categories represented. You will also see that there are specific sites catered to different product types or categories, brands or niches related with Robinair Ac 500 Pro Manual Service. So depending on what exactly you are searching, you will be able to choose e books to suit your own need. Need to access completely for Campbell Biology Seventh Edition book? Access Ebook without any digging. And by having access to our ebook online or by storing it on your computer, you have convenient answers with Robinair Ac 500 Pro Manual Service To get started finding Robinair Ac 500 Pro Manual Service, you are right to find our website which has a comprehensive collection of books online. Our library is the biggest of these that have literally hundreds of thousands of different products represented. You will also see that there are specific sites catered to different categories or niches related with Robinair Ac 500 Pro Manual Service So depending on what exactly you are searching, you will be able to choose ebook to suit your own need. Thank you for reading Robinair Ac 500 Pro Manual Service. Maybe you have knowledge that, people have search numerous times for their favorite readings like this Robinair Ac 500 Pro Manual Service, but end up in harmful downloads. Rather than reading a good book with a cup of coffee in the afternoon, instead they juggled with some harmful bugs inside their laptop. Robinair Ac 500 Pro Manual Service is available in our book collection an online access to it is set as public so you can download it instantly. Our digital library spans in multiple locations, allowing you to get the most less latency time to download any of our books like this one. Merely said, Robinair Ac 500 Pro Manual Service is universally compatible with any devices to read.

Find Robinair Ac 500 Pro Manual Service :

nov dec economics paper 2 grade 10 2013

norton antivirus 2012 trial reset

northern telecom user guide

not crazy yet then start talking to yourself differently

notary workshop suny adirondack 2013

northstar study guide

nov 2014 accounting p1 marking scheme a level

notes for cpo physical science high school
norton anthology english literature 7th edition

note taking guide program 1101

nouvelle de la route

november 2013 agricultural sciences pquestion paper

not that sort of girl

note taking guide episode 302 answer key

~~notebook guide measuring the economy~~

Robinair Ac 500 Pro Manual Service :

Big Sky Backcountry Guides Montana ski guides and adventure specialists! Backcountry hut trips, day touring, avalanche courses, ski mountaineering, and international ski adventures. Backcountry Skiing Bozeman and Big Sky Fresh off the presses with a major update for 2022, this full color guidebook comprehensively covers the best backcountry skiing in Southwest Montana with 29 ... Bell Lake Yurt--Montana Backcountry Ski Guides Bell Lake Yurt is Montana's finest backcountry skiing and snowboarding destination, located just 1.5 hours from Bozeman. We offer guided skiing, avalanche ... Bozeman Backcountry Skiing Backcountry ski options include trips for the complete beginner to advanced skiers within 30 minutes of Bozeman and Big Sky. We are the only ski guide service ... Big Sky Backcountry Guides That's why we employ the finest guides and operate with small guest/guide ratios. But guiding isn't only about finding the safest route and deepest snow; it's ... Areas Covered in the Guide Backcountry Skiing Bozeman and Big Sky covers 25 routes in 6 different ranges. Below are a free preview of couple well known routes to get you started:. Ski Tours Ski Tour: Telemark Meadows · Ski Tour: Goose Creek Meadow · Ski Tour: The Great One · Ski Tour: History Rock · Ski Tour: Texas Meadows · Ski Tour: Beehive Basin · Ski ... Big Sky Backcountry Skiing Big Sky & Bozeman's most experienced ski guides! Offering backcountry powder skiing, avalanche education, guided peak skiing, and overnight trips near ... A guide to backcountry skiing near Bozeman | Outdoors Jan 26, 2023 — The local experts had a few recommendations, including History Rock and Bear Canyon, near Bozeman, and Beehive Basin, near Big Sky. Book: New Backcountry Ski Guide From ascent information and shaded maps of skiable terrain to GPS waypoints and statistics on each location, this book will prove extremely useful for earning ... Engineering Mechanics: Statics Based upon a great deal of classroom teaching experience, authors Plesha, Gray, & Costanzo provide a rigorous introduction to the fundamental principles of ... Engineering Mechanics: Statics Michael E. Plesha is a Professor of Engineering Mechanics in the Department of Engineering. Physics at the University of Wisconsin-Madison. Engineering Mechanics: Statics by Plesha, Michael Plesha, Gray, and Costanzo's Engineering Mechanics: Statics & Dynamics presents the

fundamental concepts, clearly, in a modern context using applications ... Engineering Mechanics: Statics and Dynamics ... Plesha, Gray, and Costanzo's Engineering Mechanics: Statics & Dynamics presents the fundamental concepts clearly, in a modern context using applications and ... Engineering Mechanics: Statics and Dynamics - Hardcover Plesha, Gray, and Costanzo's Engineering Mechanics: Statics & Dynamics presents the fundamental concepts clearly, in a modern context using applications and ... Engineering Mechanics: Statics by Michael E. Plesha Mar 9, 2009 — Plesha, Gray, and Costanzo's Engineering Statics & Dynamics presents the fundamental concepts, clearly, in a modern context using ... Dynamics. by Gary Gray, Francesco Costanzo and ... Plesha, Gray, and Costanzo's "Engineering Mechanics: Statics & Dynamics" presents the fundamental concepts, clearly, in a modern context using applications ... Engineering Mechanics : Statics, 2nd Edition Engineering Mechanics, Statics & Dynamics, second edition, by Plesha, Gray, & Costanzo, a new dawn for the teaching and learning of statics and dynamics. Chapter 16.12 - PLUMBING CODE | Chanute, KS The Uniform Plumbing Code, 1985 Edition, a standard adopted by the International Association of Plumbing and Mechanical Officials, is adopted by reference, ... Uniform Plumbing Code 1985 Edition International ... Uniform Plumbing Code 1985 Edition International Association Of Plumbing And... ; Publication Year. 1985 ; Language. English ; Accurate description. 5.0. Uniform Plumbing Code 1985. First Printing Paperback Uniform Plumbing Code 1985. First Printing Paperback ; Publication Year. 1985 ; Type. Building Code ; Accurate description. 4.9 ; Reasonable shipping cost. 4.8. Ubc 1985 | PDF | Building Code | Wall UNIFORM. BUILDING CODE. 1985 Edition Third Printing. Publication Date: May I , 1985 ... Uniform Building, Mechanical and Plumbing Codes and the National ... Uniform Plumbing Code book by International Association ... Buy a cheap copy of Uniform Plumbing Code book by International Association of Plumbing and Mechanical Officials. Free Shipping on all orders over \$15. 1985 Uniform Building Code (Download) - ICC Store Feb 14, 2014 — Provides certain minimum standards, provisions and requirements for safe and stable design, methods of construction and uses of materials in ... Uniform building code: 1985 edition - Plumbing Title, Uniform building code: 1985 edition. Author, International Association of Plumbing and Mechanical Officials. Publisher, IAPMO Publications. 1985 Uniform Administrative Code (Download) - ICC Store Feb 9, 2014 — 1985 Uniform Administrative Code (Download). Item #: 8950P550. Price: \$49.00. Volume Discount. Quantity, Price. Uniform Plumbing Code Other editions - View all · Uniform Plumbing Code · International Association of Plumbing and Mechanical Officials Snippet view - 1985. Uniform Plumbing Code